

**■ DIN Rail Installation**

Advanced pre-setting one week before  
 Digital electronic time switch with daily programs  
 Repeat programs with 17 on/off setting; and manual over-ride  
 Lithium battery power reserve  
 Auto time error correction ±60sec/weekly

**■ TECHNICAL DATA**

Voltage rating: AC 220V 50/60Hz  
 Voltage limit: AC 180V-250V  
 Hysteresis: ≤1 sec/day (25°C)  
 ON/OFF operation: 17 ON & 17OFF  
 Power consumption: 1VA(max)  
 Display: LCD  
 Service life: Mechanical 10<sup>7</sup>  
                   Electrically 10<sup>8</sup>  
 Minimum interval: 1 minute  
 Weight: approx 250g

**Order voltage**

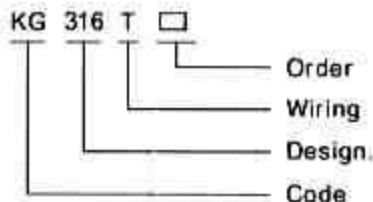
12V, 24V, 36V, 48V, 110VAC;  
 Count down: 1 sec-99 min 56 sec  
 Pulse: 1 sec-59 min 59 sec  
 Load capacity: resistive load: 25A/250V AC  
                                 Lagging load: 10A/250Vac  
                                 lamp load: 4000W  
 Switching contact: 1 changeover switch  
 Power reserve: 3 years (Lithium battery)  
 Ambient temperature: -10~+40°C  
 Ambient humidity: 35-85%RH

**■ DISPLAY**



1	Ⓟ	TIMER
2	D+	DAY
3	H+	HOURL
4	M+	MIN
5	⌚	CLOCK
6	C	RESET
7	MANUAL	MANUAL C/R
8	C/R	Cancel / recovery

**■ MEANING.**



**■ Operating Instruction:**

- To start switch: press reset Key. At the first time, if you want to the present time, please press "⌚" On board, then press D+, H+, M+ to adjust the number to the present time.
- Enter into programming as belows:

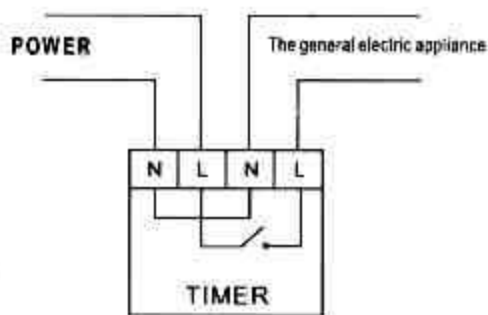
Step	Key	Programming
1	Press P	Setting 1 ON time (display 1 on)
2	Press H+/M+	Setting hours and minutes
3	Press D+	To select same every day, or different time each day
4	Press P	Setting 1 off time (display 1 off)
5	Press H+/M+	Setting hours and minutes turn off time
6	Press D+	If you want the same every day, you need not press this key.
7	Repeat step 2-6	Set 2-17 on/off time
8	Press ⌚	End

If you do not require 17 settings, press "⌚" to the end.

**■ NOTE:**

- Time setting should according to the time sequence, couldn't be set crossly
- System with quit automatically if there's no operating within 10 seconds and no data is saved.
- Function 3,4,5 can not be used simultaneously

**■ CONNECTION DIAGRAM**



**■ DIMENSIONS**

