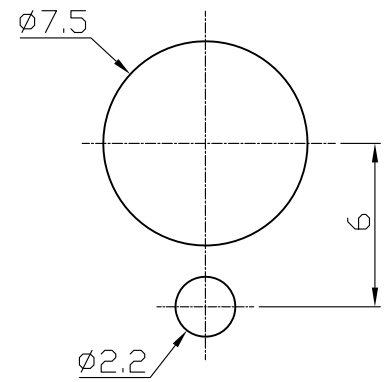
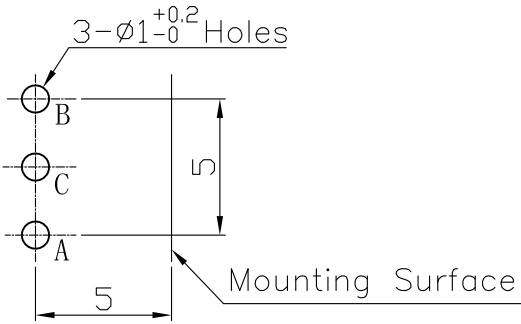
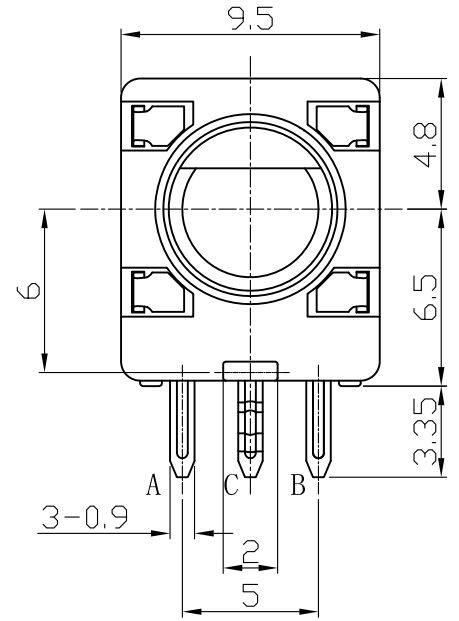
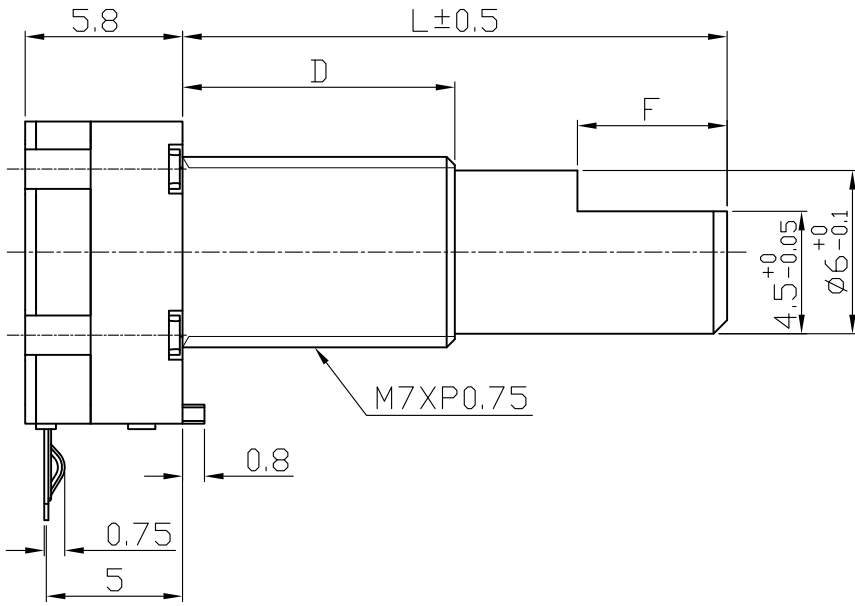


MODEL RE09100 **X** A-V01

BASIC DIMENSIONS	L ≤ 10	10 < L	100 ≤ L	ANGLE	UNIT
TOL.	±0.3	±0.5	±0.8	±5°	mm



X	A	C
D	5	10

P.C.B MOUNTING DETAIL

轴型规格

A轴	D=5			D=10		
	L	15	15	15	16.5	20
F	5	7	7.5	5.5	5.5	

K轴	D=5	
	L	15
F	7	

