

DC AXIAL FAN

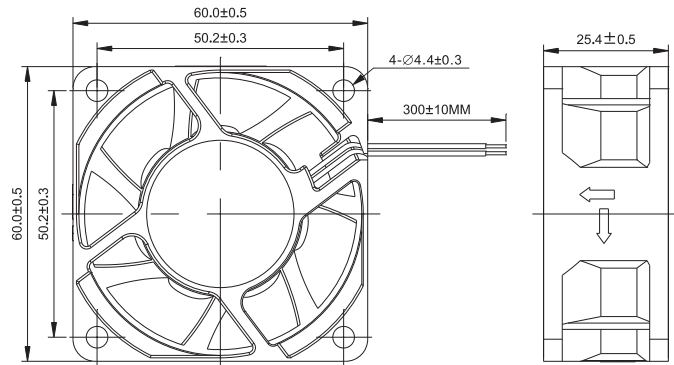


DC AXIAL FAN

60x60x25mm



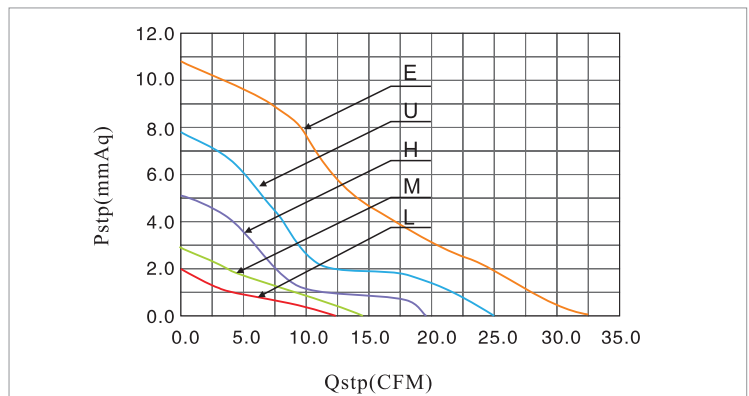
DIMENSIONS DRAWING



AVAILABLE FUNCTIONS

- 1. Moto protection
AS
- 2. Signal out put
FG **RD**
- 3. Speed control mode
PWM **TC**

P&Q CURVE (AT RATED VOLTAGE)



Model		Bearing	Rated Voltage	Startup Voltage	Current	Power	Speed	Air Flow		Static Pressure		Noise
Part NO.	Function	System	VDC	VDC	A	W	RPM	M ³ /min	CFM	mmH ₂ O	INH ₂ O	dBA
HDH0612UA		Hydraulic	12	5.0	0.27	3.24	5000	0.71	25.09	7.83	0.31	42.1
HDH0612HA				5.0	0.18	2.16	4000	0.55	19.60	5.12	0.20	37.1
HDH0612MA				5.0	0.14	1.68	3000	0.42	14.77	2.91	0.11	30.7
HDH0612LA				5.0	0.10	1.20	2500	0.35	12.53	2.03	0.08	29.7
HDB0612EA	-A	Ball		5.0	0.38	4.56	6000	0.93	32.70	10.82	0.43	47.3
HDB0612UA				5.0	0.27	3.24	5000	0.71	25.09	7.83	0.31	42.1
HDB0612HA				5.0	0.18	2.16	4000	0.55	19.60	5.12	0.20	37.1
HDB0612MA				5.0	0.14	1.68	3000	0.42	14.77	2.91	0.11	30.7
HDB0612LA			5.0	0.10	1.20	2500	0.35	12.53	2.03	0.08	29.7	
HDH0624UA		Hydraulic	24	12.0	0.18	4.32	5000	0.71	25.09	7.83	0.31	42.1
HDH0624HA				12.0	0.12	2.88	4000	0.55	19.60	5.12	0.20	37.1
HDH0624MA				12.0	0.09	2.16	3000	0.42	14.77	2.91	0.11	30.7
HDH0624LA				12.0	0.07	1.68	2500	0.35	12.53	2.03	0.08	29.7
HDB0624EA	-A	Ball		12.0	0.25	6.00	6000	0.93	32.70	10.82	0.43	47.3
HDB0624UA				12.0	0.18	4.32	5000	0.71	25.09	7.83	0.31	42.1
HDB0624HA				12.0	0.12	2.88	4000	0.55	19.60	5.12	0.20	37.1
HDB0624MA				12.0	0.09	2.16	3000	0.42	14.77	2.91	0.11	30.7
HDB0624LA			12.0	0.07	1.68	2500	0.35	12.53	2.03	0.08	29.7	

Notes1: The catalog have detail information in the front page for the functions.
2: If you want another rpm or voltage or functions which one in the list, please contact with our sales.