

FEATURES

- Static drain-source on-resistance:
 $R_{DS(on)} \leq 60m\Omega (@V_{GS} = -10V; I_D = -16A)$
- Advanced trench process technology
- 100% avalanche tested
- Minimum Lot-to-Lot variations for robust device performance and reliable operation

APPLICATIONS

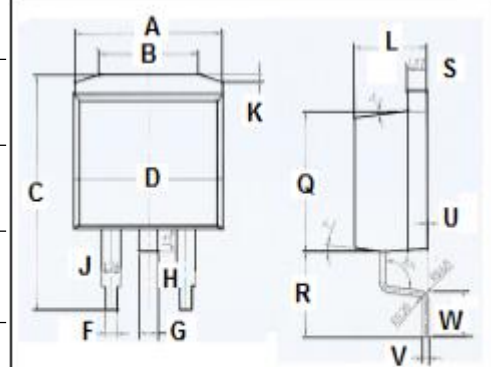
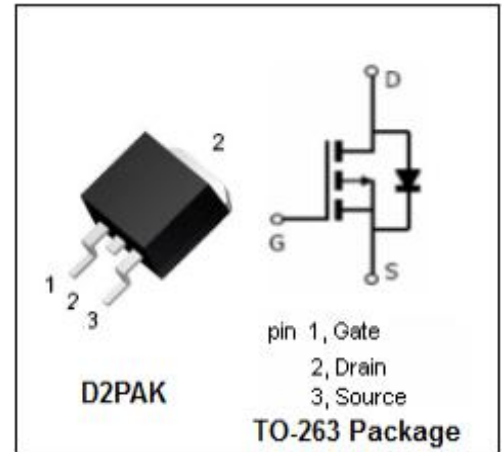
- Fast switching application.

ABSOLUTE MAXIMUM RATINGS ($T_a = 25^\circ C$)

SYMBOL	PARAMETER	VALUE	UNIT
V_{DS}	Drain-Source Voltage	-55	V
V_{GS}	Gate-Source Voltage	± 20	V
I_D	Drain Current-Continuous	20	A
P_D	Total Dissipation @ $T_c = 25^\circ C$	110	W
T_j	Max. Operating Junction Temperature	-55~175	$^\circ C$
T_{stg}	Storage Temperature	-55~175	$^\circ C$

THERMAL CHARACTERISTICS

SYMBOL	PARAMETER	MAX	UNIT
$R_{th(j-c)}$	Channel-to-case thermal resistance	1.4	$^\circ C/W$



DIM	mm	
	MIN	MAX
A	10	
B	6.6	6.8
C	15.23	15.25
D	10.15	10.17
F	0.76	0.78
G	1.26	1.28
H	1.4	1.6
J	1.33	1.35
K	0.4	0.6
L	4.6	4.8
O	8.69	8.71
R	5.28	5.30
S	1.26	1.28
U	0.0	0.2
V	0.37	0.39
W	2.80	2.82

ELECTRICAL CHARACTERISTICS

 T_c=25°C unless otherwise specified

SYMBOL	PARAMETER	CONDITIONS	MIN	TYP	MAX	UNIT
BV _{DSS}	Drain-Source Breakdown Voltage	V _{GS} =0V; I _D = -250 μ A	-55			V
V _{GS(th)}	Gate Threshold Voltage	V _{DS} =V _{GS} ; I _D = -250 μ A	-2		-4	V
R _{DS(on)}	Drain-Source On-Resistance	V _{GS} = -10V; I _D = -16A			60	mΩ
I _{GSS}	Gate-Source Leakage Current	V _{GS} = ±20V; V _{DS} = 0V			± 100	nA
I _{DSS}	Drain-Source Leakage Current	V _{DS} = -55V; V _{GS} = 0V			-25	μ A
V _{SD}	Diode forward voltage	I _s = -16A, V _{GS} = 0V			-1.3	V

NOTICE :

JSM reserves the rights to make changes of the content herein the datasheet at any time without notification. The information contained herein is presented only as a guide for the applications of our products.

JSM products are intended for usage in general electronic equipment. The products are not designed for use in equipment which require specialized quality or reliability, or in equipment which could have applications in hazardous environments, aerospace industry, or medical field. Please contact us if you intend our products to be used in these special applications.

JSM makes no warranty or guarantee regarding the suitability of its products for any particular purpose, nor does JSM assume any liability arising from the application or use of any products, and specifically disclaims any and all liability, including without limitation special, consequential or incidental damages.