

## Low power consumption, Low ESR Cap. Compatible ME6206 Series

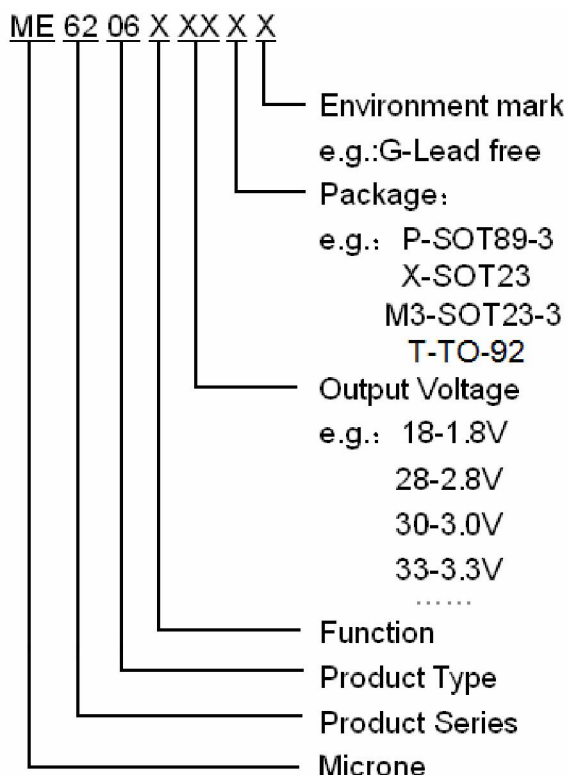
### General Description

ME6206 series are highly precise, low power consumption, high voltage, positive voltage regulators manufactured using CMOS and laser trimming technologies. The series provides large currents with a significantly small dropout voltage. The series is compatible with low ESR ceramic capacitors. The current limiter's foldback circuit also operates as a short protect for the output current limiter and the output pin.

### Features

- | Highly Accurate :  $\pm 2\%$
- | Output voltage range : 1.5V~5.0V (selectable in 0.1V steps)
- | Low power consumption : 8uA(TYP.)
- | Large output current :300mA ( $V_{IN} = 4.3V, V_{OUT} = 3.3V$ )
- | Input voltage: up to 6 V
- | Dropout voltage : 0.2V at 100mA and 0.40V at 200mA
- | Excellent Input Stability
- | Be available to regulator and reference voltage
- | Packages: SOT23-3 , SOT89-3 , SOT23 , TO-92

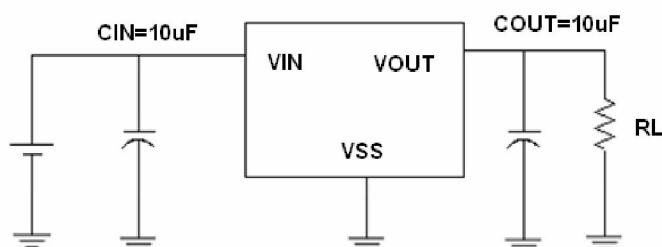
### Selection Guide



### Typical Application

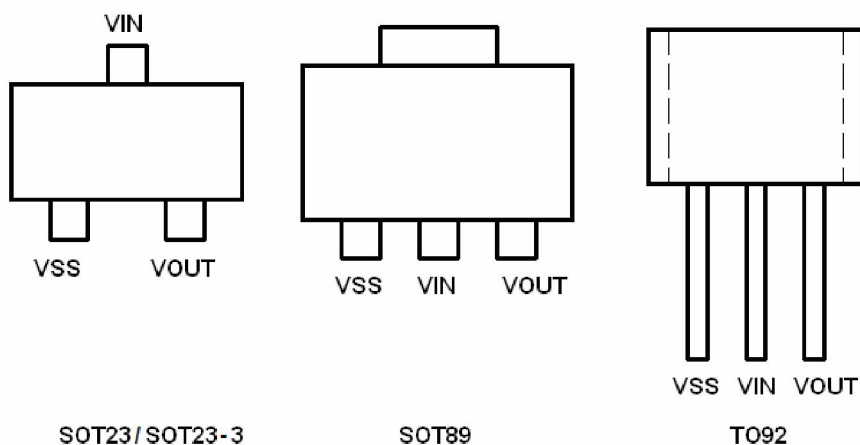
- | Battery powered equipment
- | Communication tools
- | Mobile phones
- | Portable games
- | Portable AV systems
- | Cameras, Video systems
- | Reference voltage sources

### Typical Application Circuit



Product	Supply Current
ME6206A	8 uA
ME6206K	180 uA

## Pin Configuration



## Pin Assignment

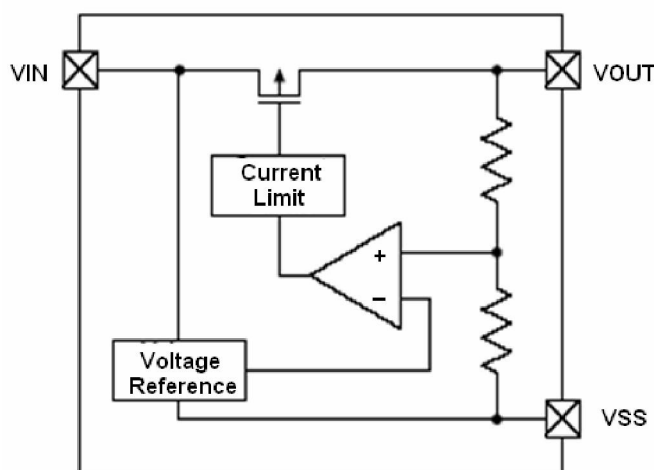
### ME6206Axx/ ME6206Kxx

Pin					Name	Function
M3	P	P1	X	T		
SOT23-3	SOT89-3	SOT89-3	SOT23	TO-92		
1	1	2	1	1	Vss	Ground
2	3	1	2	3	Vout	Output
3	2	3	3	2	Vin	input

## Absolute Maximum Ratings

Parameter	Symbol	Description	Units
Input Voltage	$V_{IN}$	6.5	V
Output Current	$I_{out}$	500	mA
Output Voltage	$V_{out}$	$V_{ss}-0.3 \sim V_{out}+0.3$	V
Power Dissipation	SOT23-3	$P_d$	300 mW
	SOT89-3	$P_d$	500 mW
	SOT23	$P_d$	300 mW
	TO-92	$P_d$	500 mW
Operating Ambient Temperature	$T_{Opr}$	-25 ~ +85	
Storage Temperature	$T_{stg}$	-40 ~ +125	

## Block Diagram



### ME6206A15

(VIN=Vout+1V, Cin=Cout=1u, Ta=25°C Unless otherwise stated)

PARAMETER	SYMBOL	CONDITION	MIX	TYP	MAX	UNIT
Output Voltage	V <sub>OUT(E)</sub> (Note 2)	I <sub>OUT</sub> =10mA, V <sub>IN</sub> =Vout+1V	X 0.98	V <sub>OUT(T)</sub> (Note 1)	X 1.02	V
Input Voltage	V <sub>IN</sub>				6	V
Maximum Output Current	I <sub>OUT (max)</sub>	V <sub>IN</sub> =Vout+1V		100		mA
Load Regulation	V <sub>OUT</sub>	V <sub>IN</sub> =Vout+1V, 1mA I <sub>OUT</sub> 80mA		10		mV
Dropout Voltage (Note 3)	V <sub>dif1</sub>	I <sub>OUT</sub> =20mA		180		mV
	V <sub>dif2</sub>	I <sub>OUT</sub> =50mA		360		mV
Supply Current	I <sub>SS</sub>	V <sub>IN</sub> =Vout+1V		7		μA
Line Regulations	$\frac{V_{OUT}}{V_{IN} \bullet V_{OUT}}$	I <sub>OUT</sub> =10mA Vout+1V V <sub>IN</sub> 5V		0.1		%/V
Power Supply Ripple Rejection Ratio	PSRR	Vin= [Vout+1]V +1Vp-pAC I <sub>OUT</sub> =10mA,f=1kHz		45		dB
Short Circuit Current	I <sub>short</sub>	Vin=Vout(T)+1.5V Vout=Vss		20		mA
Over Current Protection	I <sub>limit</sub>			300		mA

## ME6206A18

(VIN=Vout+1V, Cin=Cout=1u, Ta=25°C Unless otherwise stated)

PARAMETER	SYMBOL	CONDITION	MIX	TYP	MAX	UNIT
Output Voltage	V <sub>OUT</sub> (E) (Note 2)	I <sub>OUT</sub> =10mA, V <sub>IN</sub> =Vout+1V	X 0.98	V <sub>OUT</sub> (T) (Note 1)	X 1.02	V
Input Voltage	V <sub>IN</sub>				6	V
Maximum Output Current	I <sub>OUT</sub> (max)	V <sub>IN</sub> =Vout+1V		120		mA
Load Regulation	V <sub>OUT</sub>	V <sub>IN</sub> =Vout+1V, 1mA I <sub>OUT</sub> 80mA		12		mV
Dropout Voltage (Note 3)	V <sub>dif1</sub>	I <sub>OUT</sub> =20mA		180		mV
	V <sub>dif2</sub>	I <sub>OUT</sub> =50mA		360		mV
Supply Current	I <sub>SS</sub>	V <sub>IN</sub> =Vout+1V		7		μA
Line Regulations	$\frac{V_{OUT}}{V_{IN} \cdot V_{OUT}}$	I <sub>OUT</sub> =10mA Vout+1V V <sub>IN</sub> 5V		0.1		%/V
Power Supply Ripple Rejection Ratio	PSRR	Vin= [Vout+1]V +1Vp-pAC I <sub>OUT</sub> =10mA, f=1kHz		45		dB
Short Circuit Current	I <sub>short</sub>	Vin=Vout(T)+1.5V Vout=Vss		25		mA
Over Current Protection	I <sub>limit</sub>			400		mA

## ME6206A28

(VIN=Vout+1V, Cin=Cout=1u, Ta=25°C Unless otherwise stated)

PARAMETER	SYMBOL	CONDITION	MIX	TYP	MAX	UNIT
Output Voltage	V <sub>OUT</sub> (E) (Note 2)	I <sub>OUT</sub> =10mA, V <sub>IN</sub> =Vout+1V	X 0.98	V <sub>OUT</sub> (T) (Note 1)	X 1.02	V
Input Voltage	V <sub>IN</sub>				6	V
Maximum Output Current	I <sub>OUT</sub> (max)	V <sub>IN</sub> =Vout+1V		300		mA
Load Regulation	V <sub>OUT</sub>	V <sub>IN</sub> =Vout+1V 1mA I <sub>OUT</sub> 100mA		14		mV
Dropout Voltage (Note 3)	V <sub>dif1</sub>	I <sub>OUT</sub> =80mA		180		mV
	V <sub>dif2</sub>	I <sub>OUT</sub> =200mA		380		mV
Supply Current	I <sub>SS</sub>	V <sub>IN</sub> =Vout+1V		8		μA
Line Regulations	$\frac{V_{OUT}}{V_{IN} \cdot V_{OUT}}$	I <sub>OUT</sub> =40mA Vout+1V V <sub>IN</sub> 6V		0.03		%/V
Power Supply Ripple Rejection Ratio	PSRR	Vin= [Vout+1]V +1Vp-pAC I <sub>OUT</sub> =10mA, f=1kHz		50		dB
Short Circuit Current	I <sub>short</sub>	Vin=Vout(T)+1.5V Vout=Vss		30		mA
Over Current Protection	I <sub>limit</sub>			500		mA

## ME6206A30

(VIN=Vout+1V, Cin=Cout=1u, Ta=25°C Unless otherwise stated)

PARAMETER	SYMBOL	CONDITION	MIX	TYP	MAX	UNIT
Output Voltage	V <sub>OUT(E)</sub> (Note 2)	I <sub>OUT</sub> =10mA, V <sub>IN</sub> =Vout+1V	X 0.98	V <sub>OUT(T)</sub> (Note 1)	X 1.02	V
Input Voltage	V <sub>IN</sub>				6	V
Maximum Output Current	I <sub>OUT (max)</sub>	V <sub>IN</sub> =Vout+1V		300		mA
Load Regulation	V <sub>OUT</sub>	V <sub>IN</sub> =Vout+1V 1mA I <sub>OUT</sub> 100mA		14		mV
Dropout Voltage (Note 3)	V <sub>dif1</sub>	I <sub>OUT</sub> =80mA		180		mV
	V <sub>dif2</sub>	I <sub>OUT</sub> =200mA		380		mV
Supply Current	I <sub>SS</sub>	V <sub>IN</sub> =Vout+1V		8		μA
Line Regulations	$\frac{V_{OUT}}{V_{IN} \cdot V_{OUT}}$	I <sub>OUT</sub> =40mA Vout+1V V <sub>IN</sub> 6V		0.03		%/V
Power Supply Ripple Rejection Ratio	PSRR	Vin= [Vout+1]V +1Vp-pAC I <sub>OUT</sub> =10mA,f=1kHz		50		dB
Short Circuit Current	I <sub>short</sub>	Vin=Vout(T)+1.5V Vout=Vss		30		mA
Over Current Protection	I <sub>limit</sub>			500		mA

## ME6206A33

(VIN=Vout+1V, Cin=Cout=1u, Ta=25°C Unless otherwise stated)

PARAMETER	SYMBOL	CONDITION	MIX	TYP	MAX	UNIT
Output Voltage	V <sub>OUT(E)</sub> (Note 2)	I <sub>OUT</sub> =10mA, V <sub>IN</sub> =Vout+1V	X 0.98	V <sub>OUT(T)</sub> (Note 1)	X 1.02	V
Input Voltage	V <sub>IN</sub>				6	V
Maximum Output Current	I <sub>OUT (max)</sub>	V <sub>IN</sub> =Vout+1V		300		mA
Load Regulation	V <sub>OUT</sub>	V <sub>IN</sub> =Vout+1V 1mA I <sub>OUT</sub> 100mA		14		mV
Dropout Voltage (Note 3)	V <sub>dif1</sub>	I <sub>OUT</sub> =80mA		180		mV
	V <sub>dif2</sub>	I <sub>OUT</sub> =200mA		380		mV
Supply Current	I <sub>SS</sub>	V <sub>IN</sub> =Vout+1V		9		μA
Line Regulations	$\frac{V_{OUT}}{V_{IN} \cdot V_{OUT}}$	I <sub>OUT</sub> =40mA Vout+1V V <sub>IN</sub> 6V		0.03		%/V
Power Supply Ripple Rejection Ratio	PSRR	Vin= [Vout+1]V +1Vp-pAC I <sub>OUT</sub> =10mA,f=1kHz		50		dB
Short Circuit Current	I <sub>short</sub>	Vin=Vout(T)+1.5V Vout=Vss		30		mA
Over Current Protection	I <sub>limit</sub>			500		mA

## ME6206K33

( $V_{IN}=V_{out}+1V$ ,  $C_{in}=C_{out}=1\mu$ ,  $T_a=25^{\circ}C$  Unless otherwise stated)

PARAMETER	SYMBOL	CONDITION	MIX	TYP	MAX	UNIT
Output Voltage	$V_{OUT}(E)$ (Note 2)	$I_{OUT}=10mA$ , $V_{IN}=V_{out}+1V$	X 0.98	$V_{OUT}(T)$ (Note 1)	X 1.02	V
Input Voltage	$V_{IN}$				6	V
Maximum Output Current	$I_{OUT} (max)$	$V_{IN}=V_{out}+1V$		300		mA
Load Regulation	$V_{OUT}$	$V_{IN}=V_{out}+1V$ 1mA $I_{OUT}$ 100mA		14		mV
Dropout Voltage (Note 3)	$V_{dif1}$	$I_{OUT} =80mA$		180		mV
	$V_{dif2}$	$I_{OUT} =200mA$		380		mV
Supply Current	$I_{SS}$	$V_{IN}=V_{out}+1V$		180		$\mu A$
Line Regulations	$\frac{V_{OUT}}{V_{IN} \cdot V_{OUT}}$	$I_{OUT} =40mA$ $V_{out}+1V$ $V_{IN}$ 6V		0.03		%/V
Power Supply Ripple Rejection Ratio	PSRR	$V_{in} = [V_{out}+1]V$ +1Vp-pAC $I_{OUT} =10mA, f=1kHz$		50		dB
Short Circuit Current	$I_{short}$	$V_{in}=V_{out}(T)+1.5V$ $V_{out}=V_{ss}$		30		mA
Over Current Protection	$I_{limit}$			500		mA

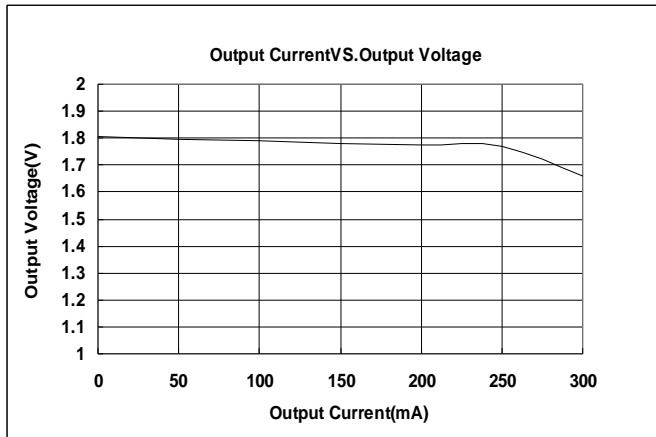
### Note :

- $V_{OUT}(T)$  : Specified Output Voltage
- $V_{OUT}(E)$  : Effective Output Voltage ( i.e. The output voltage when " $V_{OUT}(T)+1.0V$ " is provided at the  $V_{in}$  pin while maintaining a certain  $I_{out}$  value.)
- $V_{dif}$  :  $V_{IN1} - V_{OUT}(E)'$   
 $V_{IN1}$  : The input voltage when  $V_{OUT}(E)'$  appears as input voltage is gradually decreased.  
 $V_{OUT}(E)'$  = A voltage equal to 98% of the output voltage whenever an amply stabilized  $I_{out}$  { $V_{OUT}(T)+1.0V$ } is input.

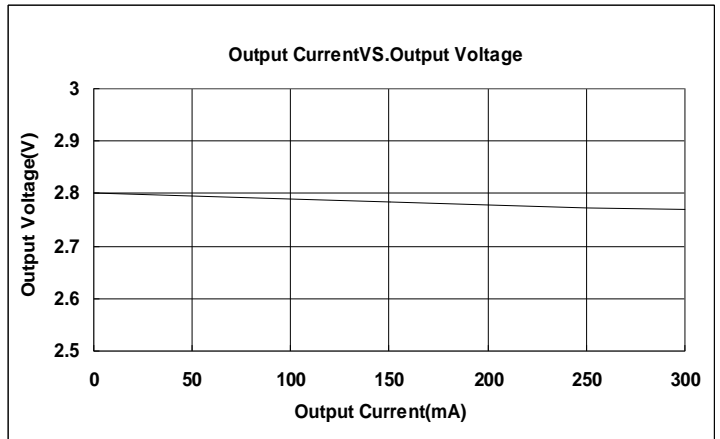
## Type Characteristics

(1) Output Current VS. Output Voltage (  $V_{IN}=V_{out}+1$ ,  $T_a = 25^\circ C$  )

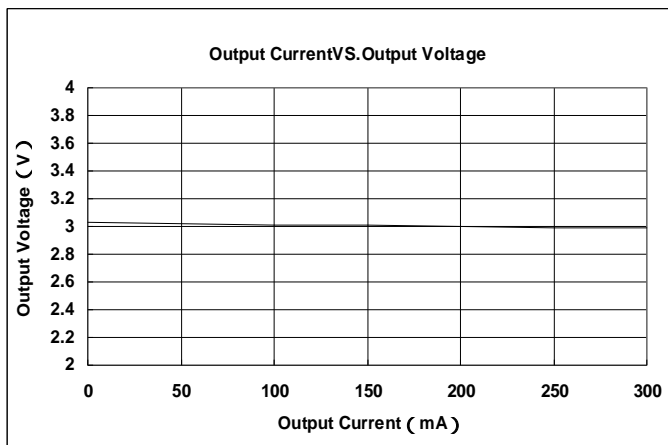
ME6206A18PG



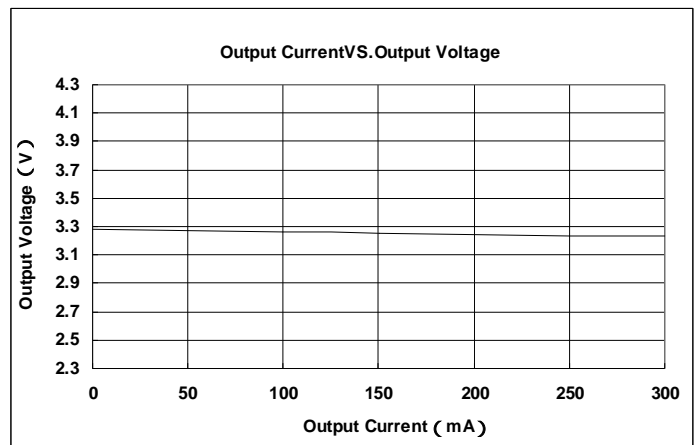
ME6206A28PG



ME6206A30PG

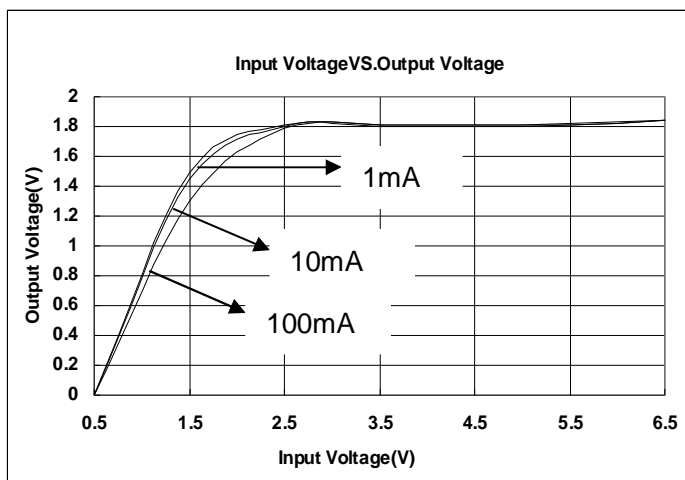


ME6206A33PG

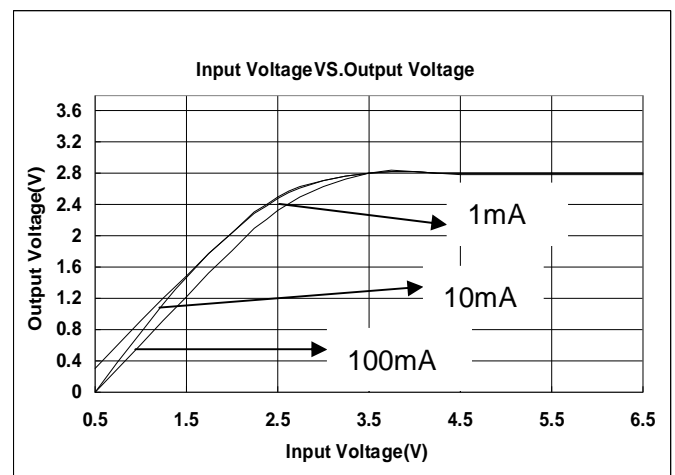


(2) Input Voltage VS. Output Voltage (  $T_a = 25^\circ C$  )

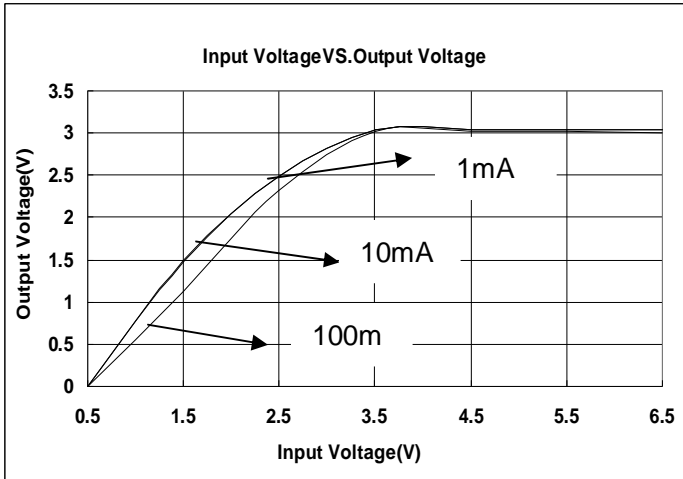
ME6206A18PG



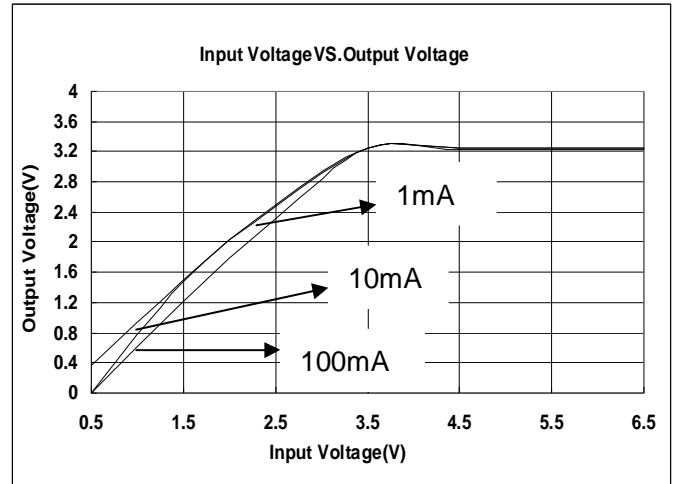
ME6206A28PG



ME6206A30PG

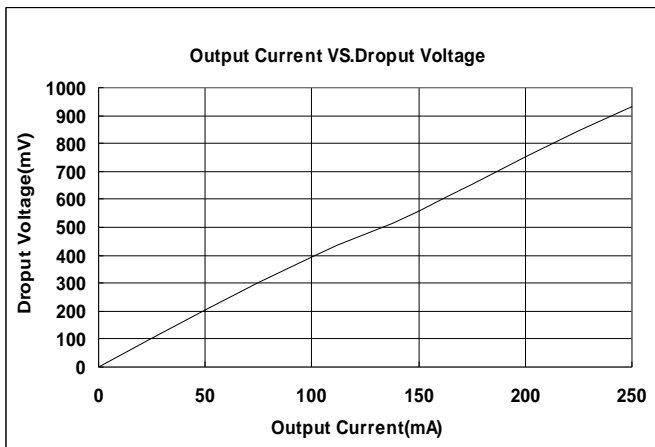


ME6206A33PG

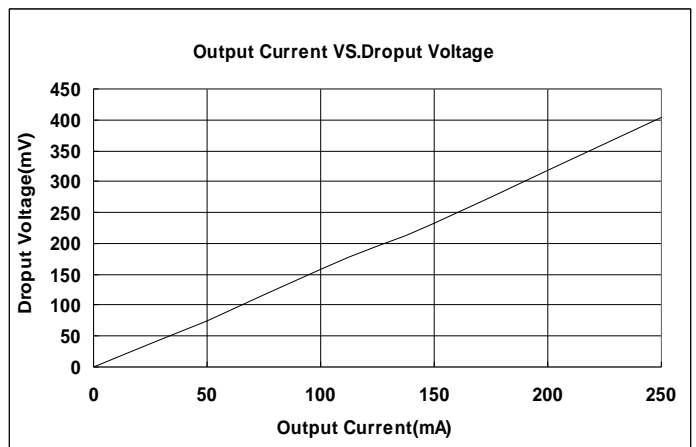


(3) Output Current VS. Dropout Voltage (  $V_{IN}=V_{out}+1V, T_a = 25^\circ C$  )

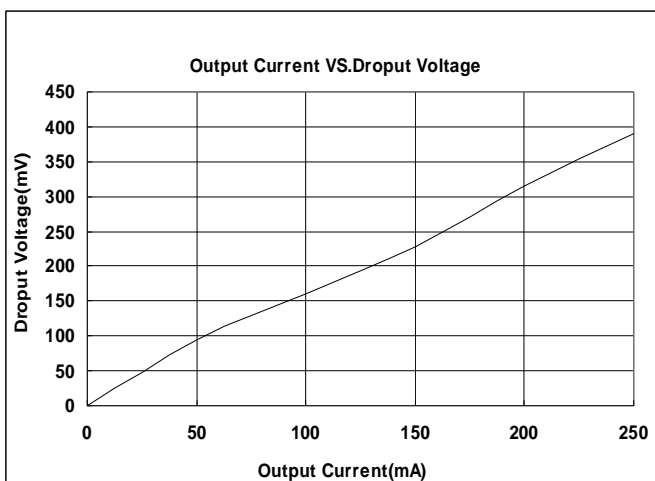
ME6206A18PG



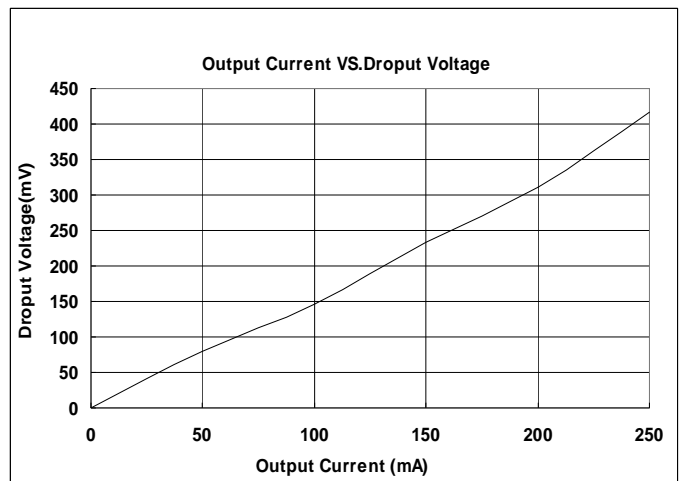
ME6206A28PG



ME6206A30PG



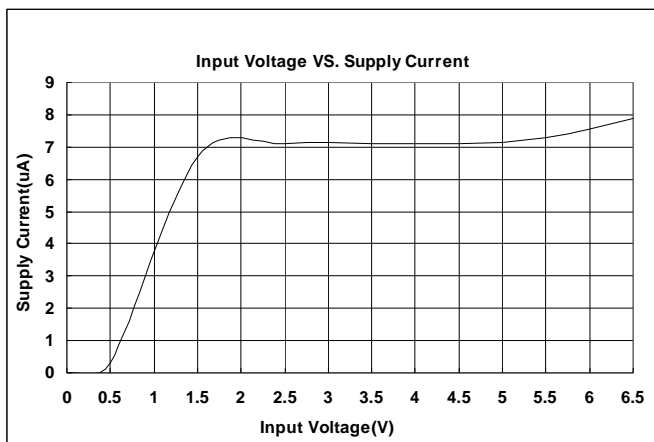
ME6206A33PG



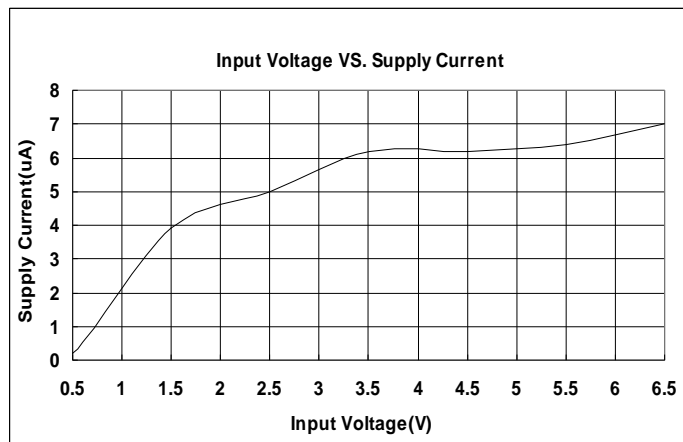


(4) Input Voltage VS. Supply Current (  $T_a = 25\text{ }^\circ\text{C}$  )

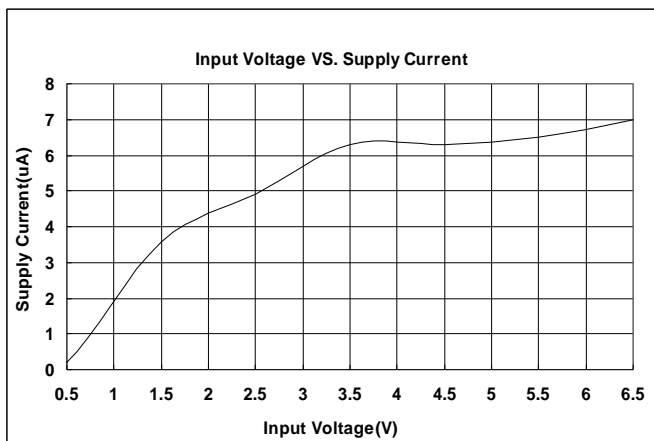
ME6206A18PG



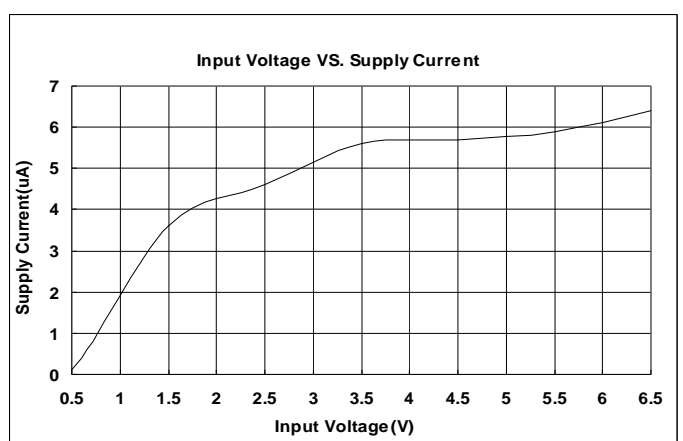
ME6206A28PG



ME6206A30PG

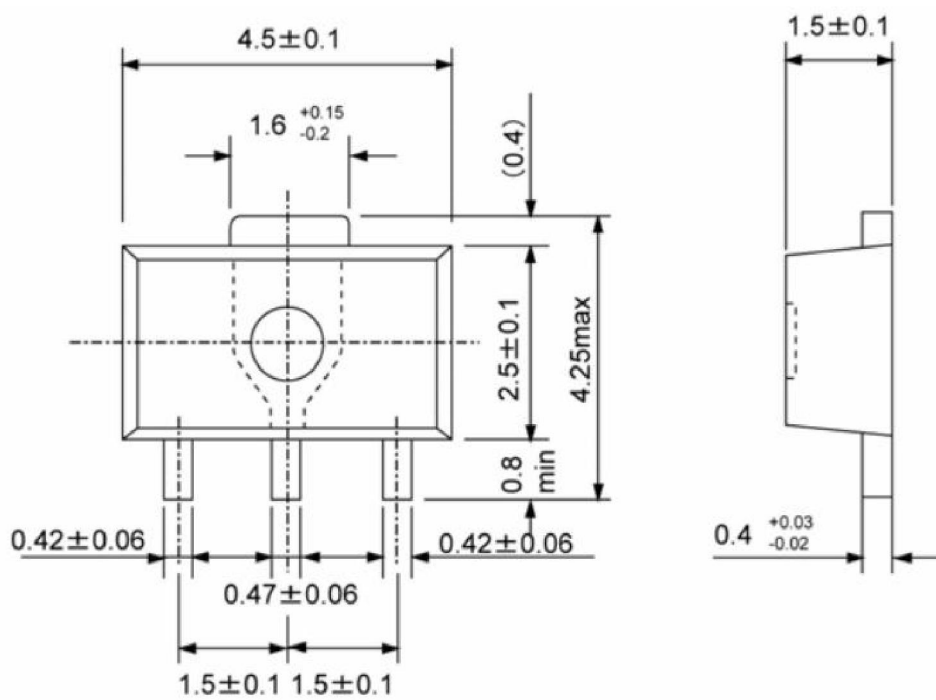


ME6206A33PG

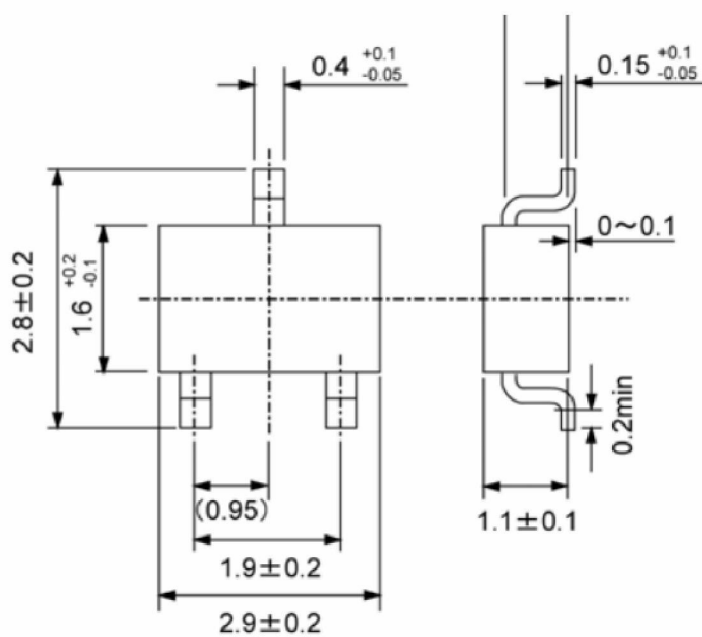


Packaging Information

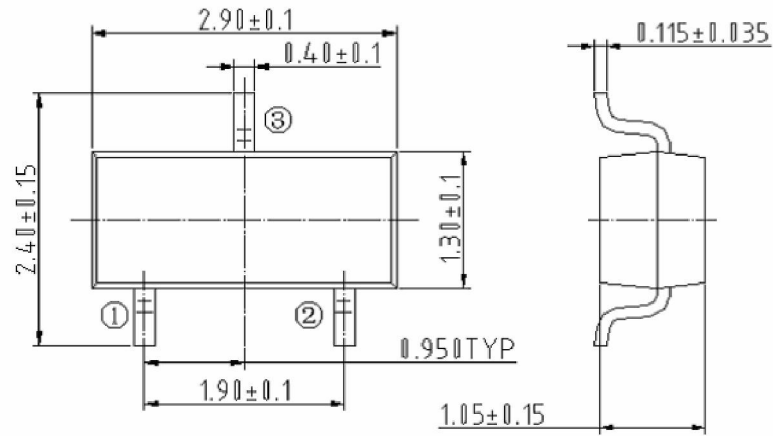
SOT89-3



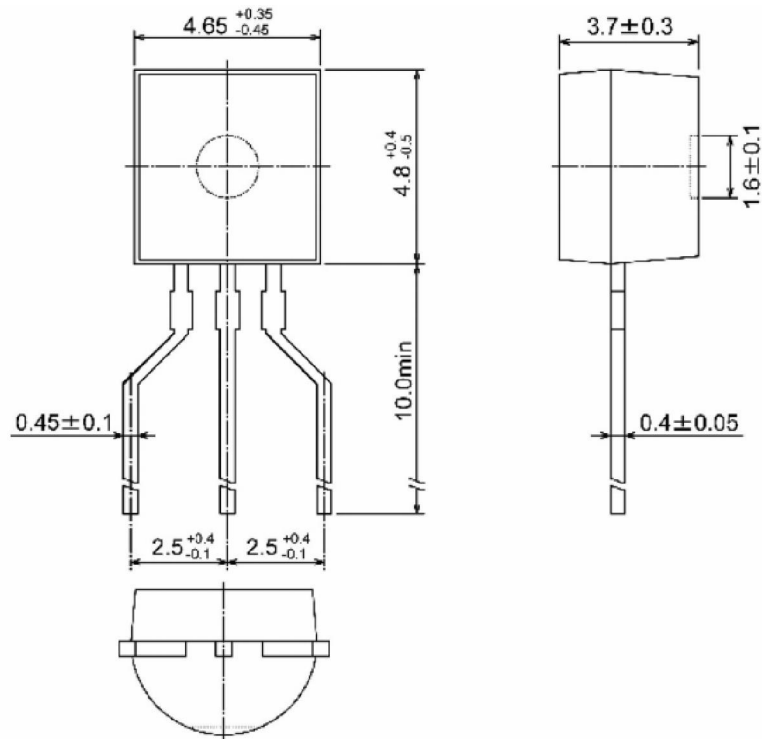
SOT23-3



SOT23



TO-92



- | The information described herein is subject to change without notice.
- | Nanjing Micro One Electronics Inc is not responsible for any problems caused by circuits or diagrams described herein whose related industrial properties, patents, or other rights belong to third parties. The application circuit examples explain typical applications of the products, and do not guarantee the success of any specific mass-production design.
- | Use of the information described herein for other purposes and/or reproduction or copying without the express permission of Nanjing Micro One Electronics Inc is strictly prohibited.
- | The products described herein cannot be used as part of any device or equipment affecting the human body, such as exercise equipment, medical equipment, security systems, gas equipment, or any apparatus installed in airplanes and other vehicles, without prior written permission of Nanjing Micro One Electronics Inc.
- | Although Nanjing Micro One Electronics Inc exerts the greatest possible effort to ensure high quality and reliability, the failure or malfunction of semiconductor products may occur. The user of these products should therefore give thorough consideration to safety design, including redundancy, fire-prevention measures, and malfunction prevention, to prevent any accidents, fires, or community damage that may ensue.