



Universal Off-Line LED String Driver with PFC

ON Semiconductor®

<http://onsemi.com>

DESIGN NOTE

Circuit Description

This Design Note describes an up to 10 watt, off-line universal input, LED string driver with power factor correction (PFC). It incorporates the NCP1014 “mini” boost power factor corrector circuit described in ON Semiconductor Design Note DN06064 in conjunction with ON Semiconductor’s new NSI45025 series constant current regulator. This latter device is a 2-pin part which can be inserted in series with a string of LEDs and provide a highly stable constant current and withstand a compliance voltage from 2 to 45 volts.

Assuming a typical output from the PFC of 400 Vdc, a string of 25 mA rated LEDs with a total series V_f of 375 volts can be powered with this circuit, and currents from 10 to 35 mA are possible with the use of other versions of this constant current regulator family. The 45 Vdc

compliance voltage of the NSI45025 will easily compensate for LED V_f variations (binning differences) and temperature variation effects.

This LED driver design is ideal for new LED based replacement lamps for linear fluorescent lamps and other linear lighting application where a multitude of small LEDs are used to generate an area lighting source.

Key Features

- Power Factor (PF) Better than 0.9 for Agency Compliance
- Supports Universal Input Range with a Single Design while Achieving Power Factor Correction
- High Tolerance to LED Binning Variations and Temperature Effects
- Input EMI Filter and In-rush Limiting

Table 1. DEVICE DETAILS

Device	Application	Input Voltage	Output Power	Topology	I/O Isolation
NCP1014 NSI45025	Off-line LED Driver with PFC	90–265 Vac	10 W (14 W max)	Boost PFC + Constant Current Source	None

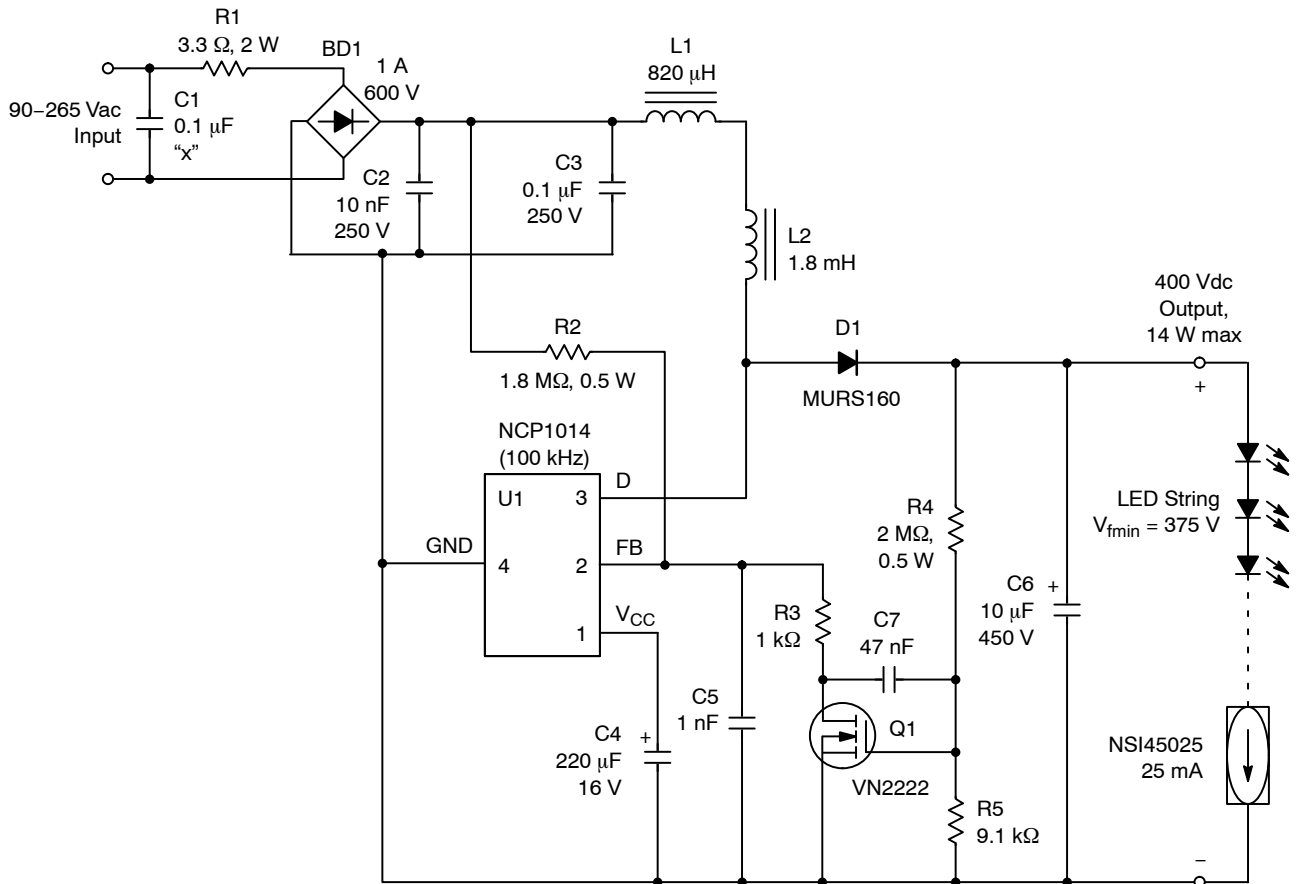
Table 2. OTHER SPECIFICATIONS

	Output 1	Unit
Output Voltage	400	Vdc
Ripple	< 10	%
Nominal Current	25	mA
Max Current	35	mA
Min Current	10	mA

PFC (Yes/No)	Yes
Minimum Efficiency	80%
Inrush Limiting/Fuse	Yes
Operating Temperature Range	0 to +50°C
Cooling Method/Supply Orientation	Convection/NA
Signal Level Control	No

DN06065/D

SCHEMATIC



Notes:


1. Crossed lines on schematic are not connected.
2. L1 is Coilcraft RFB0807-821L (820 uH, 320 mA).
3. L2 is Coilcraft RFB1010-182L (1.8 mH, 450 mA).
4. R5 sets V_{OUT} nominal.

Figure 1. Schematic

DN06065/D

REFERENCES

- [1] ON Semiconductor Design Note DN06064/D:
12 Watt “Mini” Boost Power Factor Corrector for LED applications
- [2] ON Semiconductor Design Note DN06051/D:
Improving the Power Factor of Isolated Flyback Converters for Residential ENERGY STAR® LED Luminaire Power Supplies
- [3] Data sheet NCP1014/D
- [4] Data sheet NSI45025/D

ON Semiconductor and  are registered trademarks of Semiconductor Components Industries, LLC (SCILLC). SCILLC owns the rights to a number of patents, trademarks, copyrights, trade secrets, and other intellectual property. A listing of SCILLC's product/patent coverage may be accessed at www.onsemi.com/site/pdf/Patent-Marking.pdf. SCILLC reserves the right to make changes without further notice to any products herein. SCILLC makes no warranty, representation or guarantee regarding the suitability of its products for any particular purpose, nor does SCILLC assume any liability arising out of the application or use of any product or circuit, and specifically disclaims any and all liability, including without limitation special, consequential or incidental damages. "Typical" parameters which may be provided in SCILLC data sheets and/or specifications can and do vary in different applications and actual performance may vary over time. All operating parameters, including "Typicals" must be validated for each customer application by customer's technical experts. SCILLC does not convey any license under its patent rights nor the rights of others. SCILLC products are not designed, intended, or authorized for use as components in systems intended for surgical implant into the body, or other applications intended to support or sustain life, or for any other application in which the failure of the SCILLC product could create a situation where personal injury or death may occur. Should Buyer purchase or use SCILLC products for any such unintended or unauthorized application, Buyer shall indemnify and hold SCILLC and its officers, employees, subsidiaries, affiliates, and distributors harmless against all claims, costs, damages, and expenses, and reasonable attorney fees arising out of, directly or indirectly, any claim of personal injury or death associated with such unintended or unauthorized use, even if such claim alleges that SCILLC was negligent regarding the design or manufacture of the part. SCILLC is an Equal Opportunity/Affirmative Action Employer. This literature is subject to all applicable copyright laws and is not for resale in any manner.

PUBLICATION ORDERING INFORMATION

LITERATURE FULFILLMENT:

Literature Distribution Center for ON Semiconductor
P.O. Box 5163, Denver, Colorado 80217 USA
Phone: 303-675-2175 or 800-344-3860 Toll Free USA/Canada
Fax: 303-675-2176 or 800-344-3867 Toll Free USA/Canada
Email: orderlit@onsemi.com

N. American Technical Support: 800-282-9855 Toll Free
USA/Canada
Europe, Middle East and Africa Technical Support:
Phone: 421 33 790 2910
Japan Customer Focus Center
Phone: 81-3-5817-1050

ON Semiconductor Website: www.onsemi.com

Order Literature: <http://www.onsemi.com/orderlit>

For additional information, please contact your local Sales Representative