

172

AC Fan Series

x150x38mm

CE RoHS

GENERAL SPECIFICATIONS

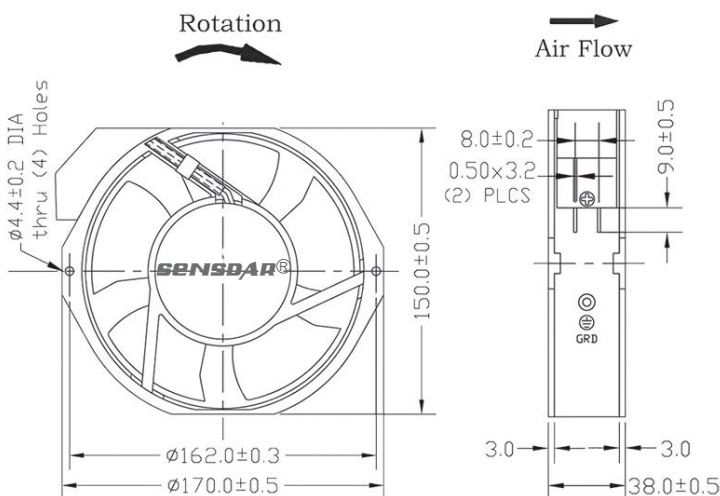
Bearing Type: Sleeve Bearing & Ball Bearing
 Material: Impeller: Plastic ; Frame: Aluminum Alloy
 Lead Wire: UL Type
 Operation Temperature: -10°C-65°C, 35%-85%RH
 Storage Temperature: -40°C-70°C, 35%-85%RH



SPECIFICATIONS

Model	Bearing System		Rated Voltage	Frequency	Rated Current	Rated Input Power	Rated Speed	Air Flow	Air Pressure	Noise Level	Weight
	Ball	Sleeve	VAC	Hz	A	Watt	RPM	CFM	mmH ₂ O	dBA	g
SA1738M1B	●		110-125	50/60	0.36/0.50	30/50	2400/2800	192/228	10/13	60/65	1000
SA1738M2B	●		200-240	50/60	0.18/0.28	30/50	2400/2800	192/228	10/13	60/65	1000

DIMENSIONS DRAWING



Note:

- *All readings are typical values at rated voltage.
- *Specifications are subject to change without prior notice.
- *"X" in model list can be B and S, meaning Dual Ball Bearing, Sleeve Bearing.

P&Q CURVE (AT RATED VOLTAGE)

