

50

DC blower Series x50x15mm

UL us CE RoHS

Optional Features



GENERAL SPECIFICATIONS

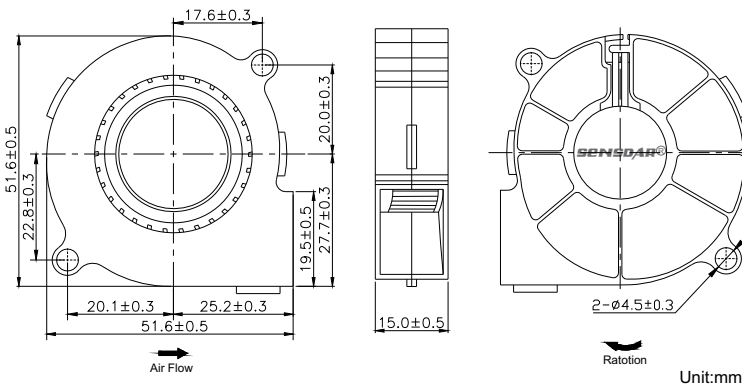
Bearing Type: Sleeve Bearing & Ball Bearing
 Material: Impeller & Frame: Plastic (UL94V-0)
 Lead Wire: UL Type
 Operation Temperature: -10°C-70°C, 35%-85%RH
 Storage Temperature: -40°C-80°C, 35%-85%RH



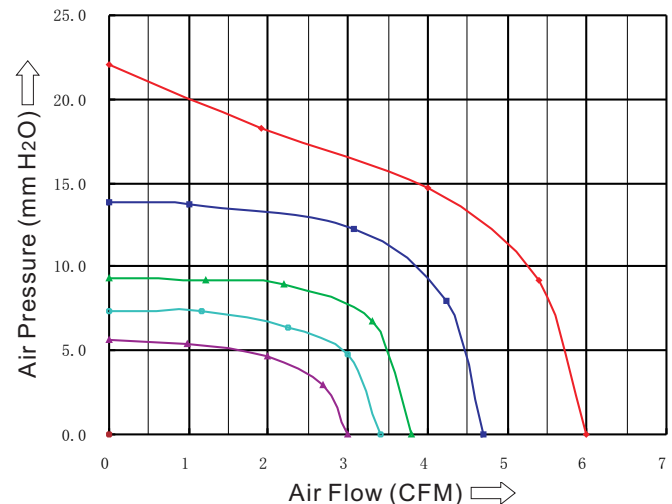
SPECIFICATIONS

Model	Bearing System		Rated Voltage	Operation Voltage	Rated Current	Rated Speed	Air Flow	Air Pressure	Noise Level	Weight
	Ball	Sleeve	VDC	VDC	A	RPM	CFM	mmH ₂ O	dBA	g
SB5015H5X	●	●	5.0	4.5-5.5	0.28	5500	4.7	13.9	42	25
SB5015M5X	●	●			0.20	4500	3.8	9.3	38	
SB5015L5X	●	●			0.13	3500	3.0	5.6	30	
SB5015H1X	●	●	12.0	6.0-13.8	0.30	7000	6.0	22.0	46	
SB5015M1X	●	●			0.20	5500	4.7	13.9	42	
SB5015L1X	●	●			0.10	4000	3.4	7.4	33	
SB5015H2X	●	●	24.0	12.0-27.6	0.15	7000	6.0	22.0	46	
SB5015M2X	●	●			0.12	5500	4.7	13.9	42	
SB5015L2X	●	●			0.09	4000	3.4	7.4	33	

DIMENSIONS DRAWING



P&Q CURVE (AT RATED VOLTAGE)



Note:

- *All readings are typical values at rated voltage.
- *Specifications are subject to change without prior notice.
- *"X" in model list can be B, S, and C, meaning Dual Ball Bearing, Sleeve Bearing and 1 Ball 1 Sleeve Bearing