

60

DC Fan Series x60x25mm

UL us CE RoHS

Optional Features



GENERAL SPECIFICATIONS

Bearing Type: Sleeve Bearing & Ball Bearing
 Material: Impeller & Frame: Plastic (UL94V-0)
 Lead Wire: UL Type
 Operation Temperature: -10°C~70°C, 35%~85%RH
 Storage Temperature: -40°C~80°C, 35%~85%RH

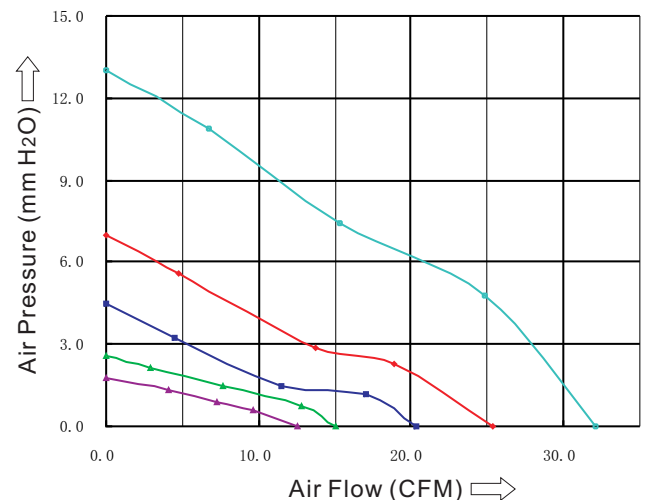
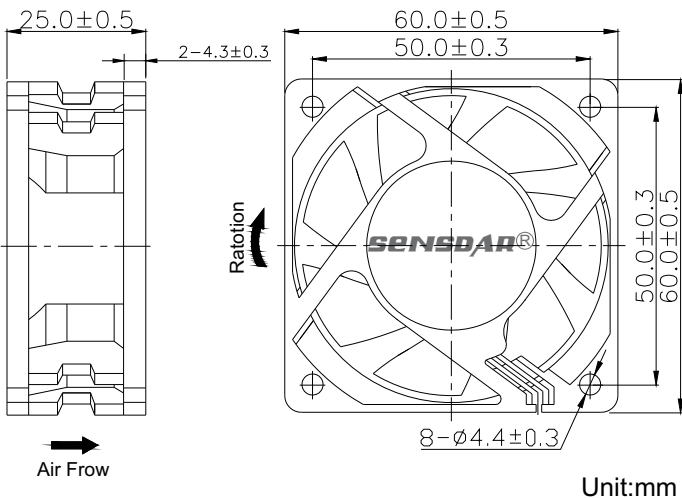


SPECIFICATIONS

Model	Bearing System		Rated Voltage	Operation Voltage	Rated Current	Rated Speed	Air Flow	Air Pressure	Noise Level	Weight
	Ball	Sleeve	VDC	VDC	A	RPM	CFM	mmH ₂ O	dBA	g
SD6025H5X	●	●	5.0	6.0~13.8	0.30	4000	20.3	4.5	30.0	62
SD6025M5X	●	●			0.25	3000	15.1	2.6	24.0	
SD6025L5X	●	●			0.20	2000	12.5	1.8	22.0	
SD6025D1X	●	●	12.0	6.0~13.8	0.45	6800	32.1	13.0	48.0	
SD6025H1X	●	●			0.25	5000	25.4	7.0	36.0	
SD6025M1X	●	●			0.18	4000	20.3	4.5	30.0	
SD6025L1X	●	●	24.0	12.0~27.6	0.10	3000	15.1	2.6	24.0	
SD6025D2X	●	●			0.25	6800	32.1	13.0	48.0	
SD6025H2X	●	●			0.12	5000	25.4	7.0	36.0	
SD6025M2X	●	●	48.0	24.0~55.2	0.10	4000	20.3	4.5	30.0	
SD6025L2X	●	●			0.08	3000	15.1	2.6	24.0	
SD6025D4X	●	●			0.18	6800	32.1	13.0	48.0	
SD6025H4X	●	●	48.0	24.0~55.2	0.10	5000	25.4	7.0	36.0	
SD6025M4X	●	●			0.08	4000	20.3	4.5	30.0	
SD6025L4X	●	●			0.06	3000	15.1	2.6	24.0	

DIMENSIONS DRAWING

P&Q CURVE (AT RATED VOLTAGE)



Note:

*All readings are typical values at rated voltage.

*Specifications are subject to change without prior notice.

*"X" in model list can be B, S, and C, meaning Dual Ball Bearing, Sleeve Bearing and 1 Ball 1 Sleeve Bearing