

# 92

# EC Fan Series

## x92x38mm

c **UL** us **CE** **RoHS**

Optional Features



**NEW** AC FANS

ENERGY SAVING  
ECDYNAMIC™



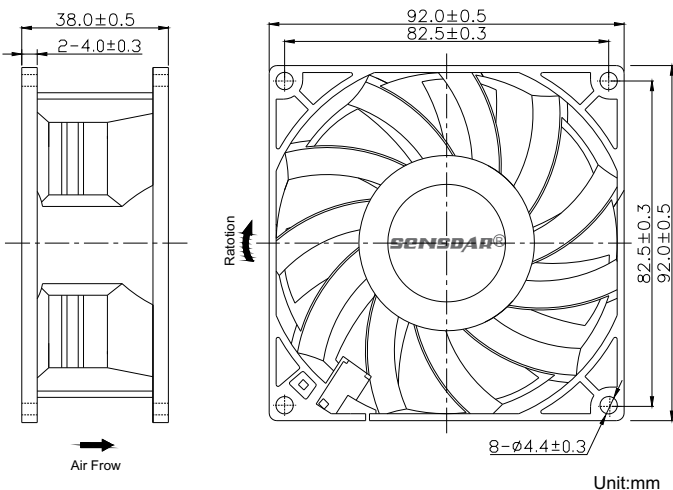
### GENERAL SPECIFICATIONS

Bearing Type: Sleeve Bearing & Ball Bearing  
 Material: Impeller & Frame: Plastic (UL94V-0)  
 Lead Wire: UL Type  
 Operation Temperature: -10°C-70°C, 35%-85%RH  
 Storage Temperature: -40°C-80°C, 35%-85%RH

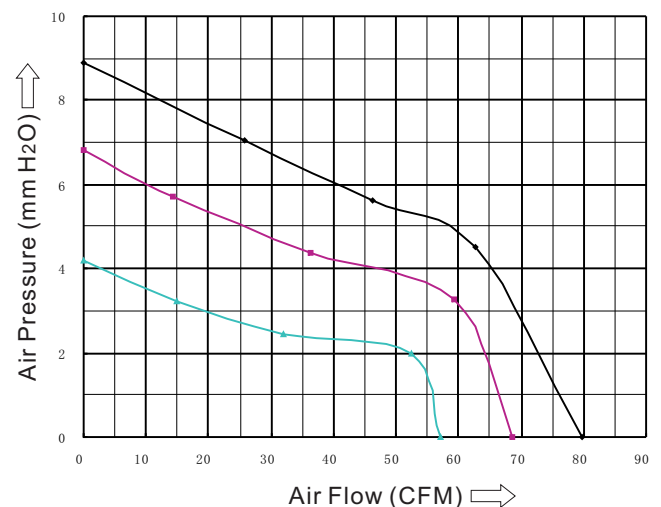
### SPECIFICATIONS

| Model    | Bearing System |        | Rated Voltage | Freq. | Operation Voltage | Rated Current | Power | Rated Speed | Air Flow | Air Pressure       | Noise Level | Weight |
|----------|----------------|--------|---------------|-------|-------------------|---------------|-------|-------------|----------|--------------------|-------------|--------|
|          | Ball           | Sleeve | VAC           | Hz    | VAC               | A             | W     | RPM         | CFM      | mmH <sub>2</sub> O | dBA         | g      |
| SE9238HX | ●              | ●      | 115/230       | 50/60 | 98-264            | 0.07          | 7.0   | 3500        | 79.9     | 8.9                | 37          | 175    |
| SE9238MX | ●              | ●      |               |       |                   | 0.05          | 5.0   | 3000        | 68.5     | 6.8                | 33          |        |
| SE9238LX | ●              | ●      |               |       |                   | 0.03          | 4.0   | 2500        | 57.1     | 4.2                | 29          |        |

### DIMENSIONS DRAWING



### P&Q CURVE (AT RATED VOLTAGE)



Note:

- \*All readings are typical values at rated voltage.
- \*Specifications are subject to change without prior notice.
- \*"X" in model list can be B, S, and C, meaning Dual Ball Bearing, Sleeve Bearing and 1 Ball 1 Sleeve Bearing