

120 DC Fan Series

x120x38mm

UL us CE RoHS

Optional Features



GENERAL SPECIFICATIONS

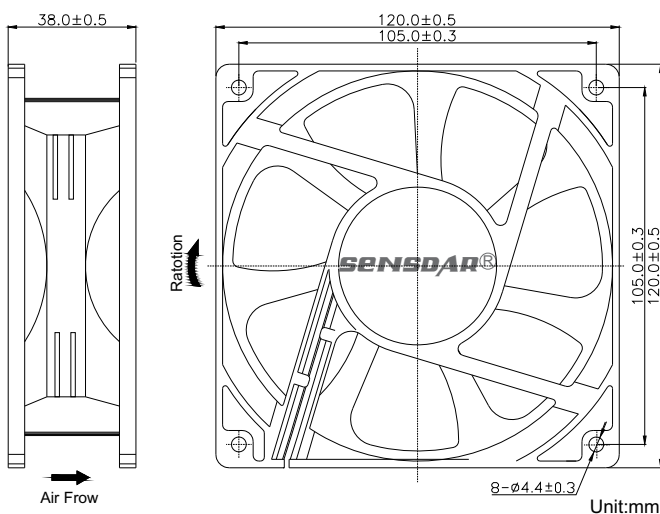
Bearing Type: Sleeve Bearing & Ball Bearing
 Material: Impeller & Frame: Plastic (UL94V-0)
 Lead Wire: UL Type
 Operation Temperature: -10°C~70°C, 35%~85%RH
 Storage Temperature: -40°C~80°C, 35%~85%RH



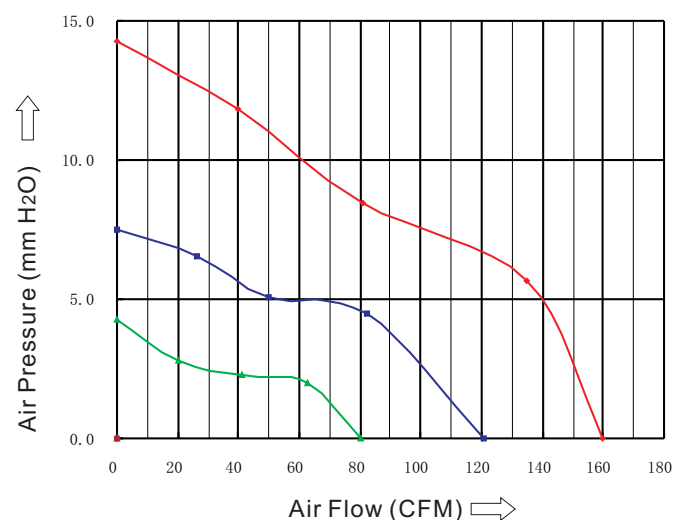
SPECIFICATIONS

Model	Bearing System		Rated Voltage	Operation Voltage	Rated Current	Rated Speed	Air Flow	Air Pressure	Noise Level	Weight
	Ball	Sleeve	VDC	VDC	A	RPM	CFM	mmH ₂ O	dBA	g
SD1238H1X	●		12.0	7.0~13.8	1.30	3800	160.0	14.3	51	270
SD1238M1X	●	●			0.60	3000	120.6	7.5	43	
SD1238L1X	●	●			0.30	2000	80.5	4.3	34	
SD1238H2X	●		24.0	15~27.6	0.60	3800	160.0	14.3	51	
SD1238M2X	●	●			0.35	3000	120.5	7.5	43	
SD1238L2X	●	●			0.20	2000	80.5	4.3	34	
SD1238H4X	●		48.0	24~55.2	0.35	3800	160.0	14.3	51	
SD1238M4X	●	●			0.22	3000	120.5	7.5	43	
SD1238L4X	●	●			0.12	2000	80.5	4.3	34	

DIMENSIONS DRAWING



P&Q CURVE (AT RATED VOLTAGE)



Note:

- *All readings are typical values at rated voltage.
- *Specifications are subject to change without prior notice.
- *"X" in model list can be B, S, and C, meaning Dual Ball Bearing, Sleeve Bearing and 1 Ball 1 Sleeve Bearing