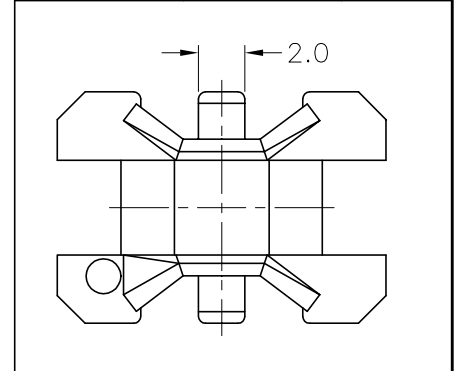


DRAWING NO:	MATERIAL:	ORIGIN:
P-1201-1	PET FR530	DG



REV.	REVISIONS	REC.	REV.	REVISIONS	REC.
1	(B):7.7->7.6				
2	CANCEL (M),(I),(O),(P),(Q); UPDATE DRAWING				

DRAWN & DRAFTED BY WNCH HSIANG	TOLERANCES		ANGLE:	TITLE:	
	0<L≤4 ±0.1	pin pitch ±0.2	±1°	T-H BOBBIN EF-12.6	
CHECKED & APPROVED BY CHIN TE	4<L≤16 ±0.2		UNIT:	BOBBIN MATERIAL:	UL REC.
	16<L≤63 ±0.3		MM	PET FR530	UL 94V-0
PIN SHINE INDUSTRIAL CO., LTD. TEL:886-2-22990545 FAX:886-2-22990546			ORIGIN:	PIN MATERIAL:	PIN TENSION LOAD:
			DG	CP WIRE	1.5KG MIN
			DATE:	DRAWING NO.	REV.
			MAR.29 '2003	P-1201	2