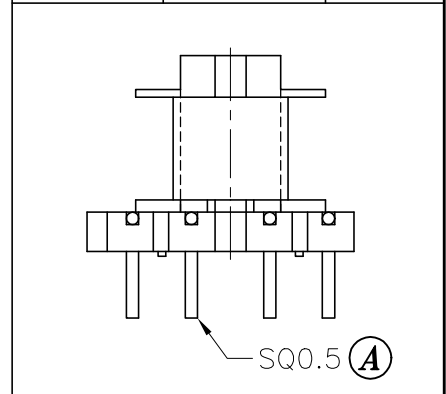


DRAWING NO.	MATERIAL:	ORIGIN
P-601-1	PET FR530	DG



REV.	REVISIONS	REC.	REV.	REVISIONS	REC.
1	CANCEL (L),(P),(S); UPDATE DRAWING				

DRAWN & DRAFTED BY WNCH HSIANG	TOLERANCES		ANGLE: ±1°	TITLE: L TYPE BOBBIN RM-6	
	0<L≤4 ±0.1	pin pitch ±0.2	UNIT: MM	BOBBIN MATERIAL: PET FR530	UL REC. UL 94V-0
CHECKED & APPROVED BY CHIN TE	4<L≤16 ±0.2		ORIGIN: DG	PIN MATERIAL: CP WIRE	PIN TENSION LOAD: 1.0KG MIN.
PIN SHINE INDUSTRIAL CO.,LTD.		DATE: MAR.27 '2003	DRAWING NO. P-601	REV. 1	
TEL:886-2-22990545 FAX:886-2-22990546					