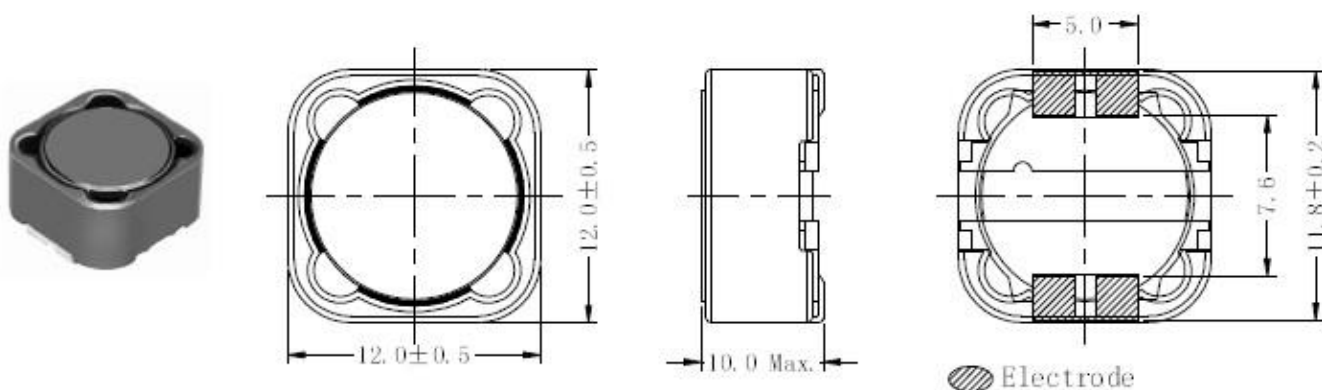


**1. Dimension and Recommended patterns (Unit: mm)****2. Description**

- Ferrite drums core construction.
- Magnetically shielded.
- L×W×H: 12.5×12.5×10.0 mm Max.
- Product weight: 0.83g(Ref.)
- Moisture Sensitivity Level: 1.
- ROHS compliance.
- Halogen Free available

**3. Environmental Data**

- Operating temperature range:  $-40^{\circ}\text{C} \sim +125^{\circ}\text{C}$ . (Including coil's self temperature rise)
- Storage temperature range:  $-40^{\circ}\text{C} \sim +105^{\circ}\text{C}$ .
- Solder reflow temperature:  $260^{\circ}\text{C}$  peak.

**4. Application**

- Ideally used in Notebook PC, Game machine, DVD, LCD TV, STB, etc as DC-DC converter inductors.

## 5. Electrical Characteristics

Part Name	Stamp	Inductance ( $\mu\text{H}$ ) [within] ※1	D.C.R. ( $\Omega$ ) [Max.] (Typ.) (at 20°C)	Saturation Current ( A ) ※2		Temperature Rise Current ( A ) ※3
				at 25°C	at 125°C	
SDRH129-1R0N	1R0	1.0±30%	5.5m(4.4m)	19.90(24.90)	12.3(15.4)	12.50(13.5)
SDRH129-1R8N	1R8	1.8±30%	6.5m(5.2m)	13.40(16.80)	11.4(14.3)	11.50(12.6)
SDRH129-2R5N	2R5	2.5±30%	8.0m(6.4m)	12.16(15.20)	9.36(11.7)	10.50(11.7)
SDRH129-3R5N	3R5	3.5±30%	9.7m(7.7m)	12.00(15.00)	9.40(11.8)	8.80(9.90)
SDRH129-4R7N	4R7	4.7±30%	11m(8.9m)	10.08(12.60)	7.84(9.80)	8.40(9.40)
SDRH129-6R8N	6R8	6.8±30%	12.4m(9.9m)	8.56(10.70)	6.72(8.40)	7.20(8.20)
SDRH129-7R5N	7R5	7.5±30%	14m(11m)	8.48(10.60)	6.56(8.20)	6.80(7.80)
SDRH129-100N	100	10±30%	18m(14.4m)	7.12(8.90)	4.80(6.00)	6.70(7.60)
SDRH129-120M	120	12±20%	19m(15m)	7.04(8.80)	4.72(5.90)	6.20(7.10)
SDRH129-150M	150	15±20%	26m(21m)	5.84(7.30)	4.64(5.80)	5.22(5.95)
SDRH129-220M	220	22±20%	29m(23m)	5.12(6.30)	3.92(4.90)	4.95(5.70)
SDRH129-330M	330	33±20%	53m(42m)	4.25(5.30)	3.36(4.20)	3.60(4.10)
SDRH129-470M	470	47±20%	63m(50m)	3.60(4.50)	2.81(3.52)	3.45(3.92)
SDRH129-560M	560	56±20%	68m(54m)	2.85(3.57)	2.20(2.75)	2.95(3.40)
SDRH129-680M	680	68±20%	93m(74m)	2.76(3.45)	2.24(2.80)	2.85(3.25)
SDRH129-820M	820	82±20%	99m(79m)	2.62(3.28)	1.98(2.48)	2.60(2.90)
SDRH129-101M	101	100±20%	0.126(0.101)	2.31(2.89)	1.82(2.28)	2.45(2.75)
SDRH129-121M	121	120±20%	0.154(0.123)	2.05(2.57)	1.56(1.95)	2.20(2.45)
SDRH129-151M	151	150±20%	0.174(0.139)	1.80(2.25)	1.44(1.80)	1.90(2.16)
SDRH129-181M	181	180±20%	0.191(0.153)	1.66(2.08)	1.22(1.53)	1.86(2.13)
SDRH129-221M	221	220±20%	0.245(0.197)	1.64(2.05)	1.26(1.58)	1.72(1.95)
SDRH129-331M	331	330±20%	0.386(0.309)	1.28(1.60)	1.04(1.30)	1.28(1.45)
SDRH129-471M	471	470±20%	0.471(0.377)	1.06(1.33)	0.87(1.09)	1.25(1.41)
SDRH129-561M	561	560±20%	0.650(0.520)	1.01(1.27)	0.76(0.95)	0.98(1.12)
SDRH129-681M	681	680±20%	0.730(0.583)	0.83(1.04)	0.68(0.86)	0.96(1.10)
SDRH129-821M	821	820±20%	0.824(0.659)	0.81(1.02)	0.63(0.79)	0.94(1.06)
SDRH129-102M	102	1000±20%	1.22(0.97)	0.70(0.88)	0.56(0.71)	0.78(0.88)
SDRH129-122M	122	1200±20%	1.33(1.11)	0.64(0.81)	0.52(0.65)	0.79(0.90)
SDRH129-152M	152	1500±20%	1.99(1.66)	0.56(0.71)	0.44(0.56)	0.58(0.66)
SDRH129-182M	182	1800±20%	2.18(1.82)	0.48(0.61)	0.38(0.48)	0.54(0.62)
SDRH129-222M	222	2200±20%	2.58(2.15)	0.43(0.54)	0.37(0.47)	0.52(0.59)

※1. Inductance measuring condition : Inductance  $\leq 10\mu\text{H}$  at 100KHz, 1V; Inductance  $> 10\mu\text{H}$  at 1KHz, 1V.

※2. Saturation current: The DC current at which the inductance decreases to 90% of its nominal value.

※3. Temperature rise current: The DC current at which the temperature rise is  $\Delta t = 40^\circ\text{C}$ . ( $T_a = 20^\circ\text{C}$ ).