

FEATURES

- +5 V to ±15 V operation**
- Unipolar or bipolar operation**
- ±1 LSB maximum INL error, ±1 LSB maximum DNL error**
- Guaranteed monotonic over temperature**
- Double-buffered inputs**
- Asynchronous CLR to zero scale/midscale**
- Operating temperature range: -40°C to +125°C**
- iCMOS process technology**

APPLICATIONS

- Industrial automation**
- Closed-loop servo control, process control**
- Automotive test and measurement**
- Programmable logic controllers**

GENERAL DESCRIPTION

The AD5726 is a quad, 12-bit, serial input, voltage output digital-to-analog converter (DAC) fabricated on Analog Devices, Inc., iCMOS[®] process technology¹ that offers guaranteed monotonicity and integral nonlinearity (INL) of ±1 LSB maximum.

Output voltage swing is set by two reference inputs, V_{REFP} and V_{REFN} . The DAC offers a unipolar positive output range when

the V_{REFN} input is set to 0 V and the V_{REFP} input is set to a positive voltage. A similar configuration with V_{REFP} at 0 V and V_{REFN} at a negative voltage provides a unipolar negative output range.

Bipolar outputs are configured by connecting both V_{REFP} and V_{REFN} to nonzero voltages. This method of setting output voltage ranges has advantages over the bipolar offsetting methods because it is not dependent on internal and external resistors with different temperature coefficients.

The AD5726 uses a serial interface that operates at clock rates up to 30 MHz and is compatible with DSP and microcontroller interface standards. The asynchronous CLR function clears all DAC registers to a user-selectable zero-scale or midscale output.

The AD5726 is available in 16-lead SSOP, 20-lead SSOP, and 16-lead SOIC packages. It can be operated from a wide variety of supply and reference voltages with supplies ranging from single +5 V to ±15 V, and references ranging from +2.5 V to ±10 V. Power dissipation is less than 240 mW with ±15 V supplies and only 30 mW with a +5 V supply. Operation is specified over the temperature range of -40°C to +125°C.

A similar device, also available from Analog Devices is the AD5725, which is a quad, 12-bit, parallel input, unipolar/bipolar, voltage output DAC.

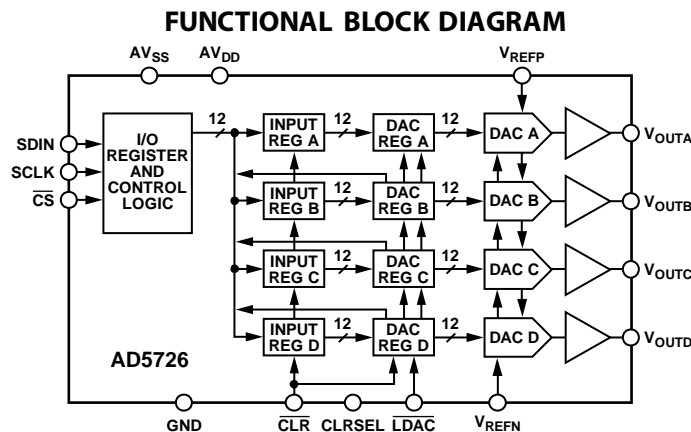


Figure 1.

¹ For analog systems designers within industrial/instrumentation equipment OEMs who need high performance ICs at higher voltage levels, iCMOS is a technology platform that enables the development of analog ICs capable of 30 V and operating at ±15 V supplies while allowing dramatic reductions in power consumption and package size, and increased ac and dc performance.

TABLE OF CONTENTS

Features	1	Theory of Operation.....	13
Applications.....	1	DAC Architecture.....	13
General Description	1	Output Amplifiers	13
Functional Block Diagram.....	1	Reference Inputs.....	13
Revision History.....	2	Serial Interface.....	14
Specifications.....	3	Applications Information.....	15
AC Performance Characteristics.....	5	Power-Up Sequence.....	15
Timing Characteristics.....	6	Reference Configuration.....	15
Absolute Maximum Ratings	7	Power Supply Bypassing and Grounding.....	16
Thermal Resistance.....	7	Galvanically Isolated Interface.....	16
ESD Caution	7	Microprocessor Interfacing.....	17
Pin Configuration and Function Descriptions.....	8	Outline Dimensions	18
Typical Performance Characteristics	9	Ordering Guide	19
Terminology	12		

REVISION HISTORY

10/13—Rev. B to Rev. C

Changes to Figure 25, Figure 26, and Figure 27	15
Changes to Figure 28	16

6/08—Rev. A to Rev. B

Added 20-Lead SSOP	Universal
Changes to Features Section	1
Changes to General Description Section.....	1
Deleted Table 1	1
Changes to Pin Configuration and Function Descriptions Section.....	8
Deleted Figure 7.....	9
Changes to Typical Performance Characteristics Section	9
Added Figure 15	10
Changes to Figure 22	11
Updated Outline Dimensions.....	18
Changes to Ordering Guide.....	19

1/08—Rev. 0 to Rev. A

Changes to Figure 6, Figure 7	9
Changes to Figure 12, Figure 13	10
Changes to Figure 19, Figure 20	11
Inserted New Figure 22, Renumbered Figures Sequentially	11
Added Major Code Transition Glitch Impulse Section.....	12
Changes to Figure 23.....	13
Change to Input Shift Register Section.....	14
Change to Single +5 V Supply Operation Section	16

4/07—Revision 0: Initial Version

SPECIFICATIONS

$AV_{DD} = +5\text{ V} \pm 5\%$, $AV_{SS} = 0\text{ V}$ or $-5\text{ V} \pm 5\%$, $V_{REFP} = +2.5\text{ V}$, $V_{REFN} = 0\text{ V}$ or -2.5 V , $R_{LOAD} = 2\text{ k}\Omega$. All specifications T_{MIN} to T_{MAX} , unless otherwise noted.¹

Table 1.

Parameter	Value	Unit	Test Conditions/Comments
ACCURACY			
Resolution	12	Bits	
Relative Accuracy (INL)	± 1	LSB max	Y grade, $AV_{SS} = -5\text{ V}$, outputs unloaded
	± 1	LSB max	Y grade, $AV_{SS} = 0\text{ V}^2$
Differential Nonlinearity (DNL)	± 1	LSB max	Guaranteed monotonic
Linearity Matching	± 1	LSB typ	
Zero-Scale Error	± 6	LSB max	$AV_{SS} = -5\text{ V}$
Full-Scale Error	± 6	LSB max	$AV_{SS} = -5\text{ V}$
Zero-Scale Error	± 12	LSB max	$AV_{SS} = 0\text{ V}^2$
Full-Scale Error	± 12	LSB max	$AV_{SS} = 0\text{ V}^2$
Zero-Scale Temperature Coefficient ³	± 10	ppm FSR/ $^{\circ}\text{C}$ typ	$AV_{SS} = -5\text{ V}$
Full-Scale Temperature Coefficient ³	± 10	ppm FSR/ $^{\circ}\text{C}$ typ	$AV_{SS} = -5\text{ V}$
REFERENCE INPUT			
V_{REFP}			
Reference Input Range ⁴	$V_{REFN} + 2.5$	V min	
	$AV_{DD} - 2.5$	V max	
Input Current	± 0.75	mA max	Typically 0.25 mA
V_{REFN}			
Reference Input Range ⁴	AV_{SS}	V min	$AV_{SS} = 0\text{ V}$
	0 V	V min	
	$V_{REFP} - 2.5$	V max	
Input Current	-1.0	mA max	Typically -0.6 mA, $AV_{SS} = -5\text{ V}$
Large Signal Bandwidth ³	160	kHz typ	-3 dB, $V_{REFP} = 0\text{ V}$ to 10 V p-p
OUTPUT CHARACTERISTICS³			
Output Current	± 1.25	mA max	$AV_{SS} = -5\text{ V}$
DIGITAL INPUTS			
Input High Voltage, V_{IH}	2.4	V min	
Input Low Voltage, V_{IL}	0.8	V max	
Input Current ³	10	μA max	
Input Capacitance ³	5	pF typ	
POWER SUPPLY CHARACTERISTICS			
Power Supply Sensitivity ³	0.002	%/% max	Typically 0.0004%/%
AI_{DD}	1.5	mA/channel max	Outputs unloaded, typically 0.75 mA, $V_{IL} = \text{DGND}$, $V_{IH} = 5\text{ V}$
AI_{SS}	1.5	mA/channel max	Outputs unloaded, typically 0.75 mA, $V_{IL} = \text{DGND}$, $V_{IH} = 5\text{ V}$
Power Dissipation	30	mW max	Outputs unloaded, typically 15 mW, $AV_{SS} = 0\text{ V}$

¹ All supplies can be varied $\pm 5\%$ and operation is guaranteed. Device is tested with $AV_{DD} = 4.75\text{ V}$.

² For single-supply operation ($V_{REFN} = 0\text{ V}$, $AV_{SS} = 0\text{ V}$), due to internal offset errors, INL and DNL are measured beginning at Code 0x005.

³ Guaranteed by design and characterization, not production tested.

⁴ Operation is guaranteed over this reference range, but linearity is neither tested nor guaranteed.

$AV_{DD} = +15\text{ V} \pm 5\%$, $AV_{SS} = -15\text{ V} \pm 5\%$, $V_{REFP} = +10\text{ V}$, $V_{REFN} = -10\text{ V}$, $R_{LOAD} = 2\text{ k}\Omega$. All specifications T_{MIN} to T_{MAX} , unless otherwise noted.¹

Table 2.

Parameter	Value	Unit	Test Conditions/Comments
ACCURACY			
Resolution	12	Bits	
Relative Accuracy (INL)	± 0.5	LSB max	Y grade
Differential Nonlinearity (DNL)	± 1	LSB max	Guaranteed monotonic
Linearity Matching	± 1	LSB max	
Zero-Scale Error	± 3	LSB max	
Full-Scale Error	± 3	LSB max	
Zero-Scale Temperature Coefficient ²	± 4	ppm FSR/ $^{\circ}\text{C}$ typ	
Full-Scale Temperature Coefficient ²	± 4	ppm FSR/ $^{\circ}\text{C}$ typ	
REFERENCE INPUT			
V_{REFP}			
Reference Input Range ³	$V_{REFN} + 2.5$ $AV_{DD} - 2.5$	V min V max	
Input Current	± 2	mA max	Code 0x000, Code 0x555, typically 1 mA
V_{REFN}			
Reference Input Range ³	-10 V $V_{REFP} - 2.5$	V min V max	
Input Current ²	-3.5	mA min	Code 0x000, Code 0x555, typically -2 mA
Large Signal Bandwidth ²	450	kHz typ	-3 dB , $V_{REFP} = 0\text{ V}$ to 2.5 V p-p
OUTPUT CHARACTERISTICS²			
Output Current	± 5	mA max	
DIGITAL INPUTS			
Input High Voltage, V_{IH}	2.4	V min	
Input Low Voltage, V_{IL}	0.8	V max	
Input Current ²	10	μA max	
Input Capacitance ²	5	pF typ	
POWER SUPPLY CHARACTERISTICS			
Power Supply Sensitivity ²	0.002	%/% max	Typically 0.0004%/%
AI_{DD}	2	mA/channel max	Outputs unloaded, typically 1.25 mA, $V_{IL} = \text{DGND}$, $V_{IH} = 5\text{ V}$
AI_{SS}	2	mA/channel max	Outputs unloaded, typically 1.25 mA, $V_{IL} = \text{DGND}$, $V_{IH} = 5\text{ V}$
Power Dissipation	240	mW max	

¹ All supplies can be varied $\pm 5\%$ and operation is guaranteed.

² Guaranteed by design and characterization, not production tested.

³ Operation is guaranteed over this reference range, but linearity is neither tested nor guaranteed.

AC PERFORMANCE CHARACTERISTICS

$V_{DD} = +5\text{ V} \pm 5\%$ or $+15\text{ V} \pm 5\%$, $V_{SS} = -5\text{ V} \pm 5\%$ or 0 V or $-15\text{ V} \pm 5\%$, $GND = 0\text{ V}$, $V_{REFP} = +2.5\text{ V}$ or $+10\text{ V}$, $V_{REFN} = -2.5\text{ V}$ or 0 V or -10 V , $R_{LOAD} = 2\text{ k}\Omega$. All specifications T_{MIN} to T_{MAX} , unless otherwise noted.¹

Table 3.

Parameter	A Grade	B Grade	Unit	Test Conditions/Comments
DYNAMIC PERFORMANCE				
Output Voltage Settling Time (t_s)	13	13	μs typ	To 0.01%, $\pm 10\text{ V}$ voltage swing
	9	9	μs typ	To 0.01%, $\pm 2.5\text{ V}$ voltage swing, $V_{DD} = 5\text{ V}$
Slew Rate	2.3	2.3	$\text{V}/\mu\text{s}$ typ	10% to 90%, $\pm 10\text{ V}$ voltage swing
	2	2	$\text{V}/\mu\text{s}$ typ	10% to 90%, $\pm 2.5\text{ V}$ voltage swing
Analog Crosstalk	100	100	dB typ	
Digital Feedthrough	0.25	0.25	nV-sec typ	
Large Signal Bandwidth	90	90	kHz typ	3 dB, $V_{REFP} = 5\text{ V} + 10\text{ V p-p}$, $V_{REFN} = -10\text{ V}$
Major Code Transition Glitch Impulse	30	30	nV-sec typ	Code transition = 0x7FF to 0x800 and vice versa

¹ Guaranteed by design and characterization, not production tested.

TIMING CHARACTERISTICS

$AV_{DD} = +15\text{ V}$ or $+5\text{ V}$, $AV_{SS} = -15\text{ V}$ or -5 V or 0 V , $GND = 0\text{ V}$; $V_{REFP} = +10\text{ V}$ or $+2.5\text{ V}$; $V_{REFN} = -10\text{ V}$ or -2.5 V or 0 V , $R_{LOAD} = 2\text{ k}\Omega$, $C_L = 200\text{ pF}$. All specifications T_{MIN} to T_{MAX} , unless otherwise noted.^{1,2}

Table 4.

Parameter	Limit at T_{MIN} , T_{MAX}	Unit	Description
t_{DS}	5	ns	Data setup time
t_{DH}	5	ns	Data hold time
t_{CH}	13	ns	Clock pulse width high
t_{CL}	13	ns	Clock pulse width low
t_{CSS}	13	ns	Select time
t_{CSH}	13	ns	Deselect delay
t_{LD1}	20	ns	Load disable time
t_{LD2}	20	ns	Load delay
t_{LDW}	20	ns	Load pulse width
t_{CLR}	20	ns	Clear pulse width

¹ Guaranteed by design and characterization, not production tested.

² All input control signals are specified with $t_r = t_f = 5\text{ ns}$ (10% to 90% of 5 V) and timed from a voltage level of 1.6 V.

Timing Diagrams

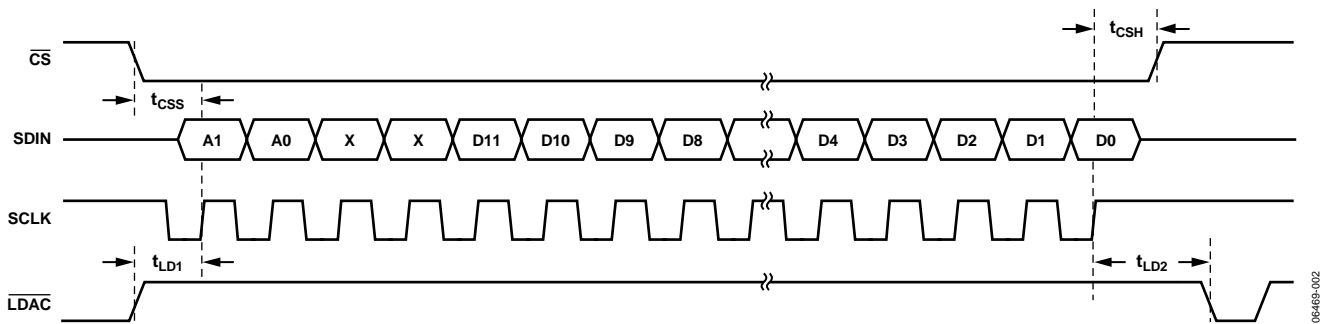


Figure 2. Data Load Sequence

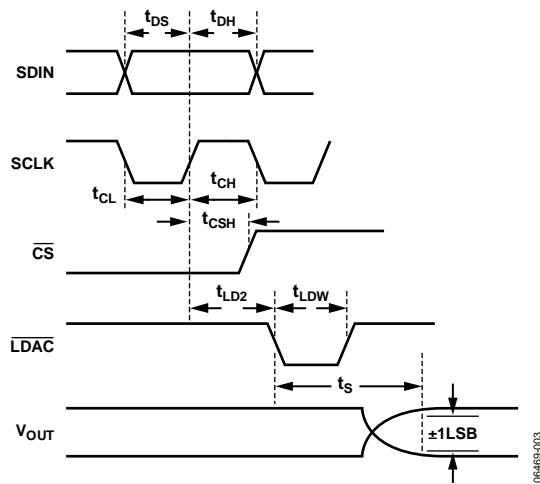


Figure 3. Data Load Timing

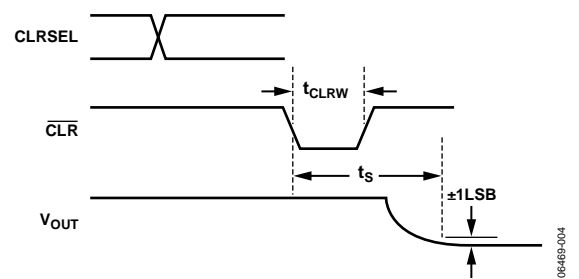


Figure 4. Clear Timing

ABSOLUTE MAXIMUM RATINGS

$T_A = 25^\circ\text{C}$, unless otherwise noted. Transient currents up to 100 mA do not cause SCR latch-up.

Table 5.

Parameter	Rating
AV_{SS} to GND	+0.3 V to -17 V
AV_{DD} to GND	-0.3 V to +17 V
AV_{SS} to AV_{DD}	-0.3 V to +34 V
AV_{SS} to V_{REFN}	-0.3 V to $+AV_{SS} - 2\text{ V}$
Current into Any Pin	$\pm 15\text{ mA}$
Digital Input Voltage to GND	-0.3 V to +7 V
Digital Output Voltage to GND	-0.3 V to +7 V
Operating Temperature Range	
Industrial	-40°C to $+125^\circ\text{C}$
Storage Temperature Range	-65°C to $+150^\circ\text{C}$
Junction Temperature (T_J max)	145°C
Lead Temperature	JEDEC industry standard
Soldering	J-STD-020

Stresses above those listed under Absolute Maximum Ratings may cause permanent damage to the device. This is a stress rating only; functional operation of the device at these or any other conditions above those indicated in the operational section of this specification is not implied. Exposure to absolute maximum rating conditions for extended periods may affect device reliability.

THERMAL RESISTANCE

θ_{JA} is specified for the worst-case conditions, that is, a device soldered in a circuit board for surface-mount packages.

Table 6.

Package Type	θ_{JA}	θ_{JC}	Unit
16-Lead SSOP	151	28	$^\circ\text{C}/\text{W}$
16-Lead SOIC	124.9	42.9	$^\circ\text{C}/\text{W}$
20-Lead SSOP	126	46	$^\circ\text{C}/\text{W}$

ESD CAUTION



ESD (electrostatic discharge) sensitive device.

Charged devices and circuit boards can discharge without detection. Although this product features patented or proprietary protection circuitry, damage may occur on devices subjected to high energy ESD. Therefore, proper ESD precautions should be taken to avoid performance degradation or loss of functionality.

PIN CONFIGURATIONS AND FUNCTION DESCRIPTIONS

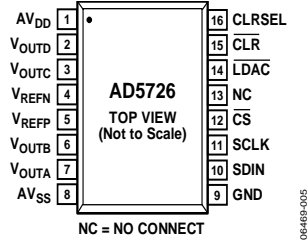


Figure 5. 16-Lead SSOP and 16-Lead SOIC Pin Configuration

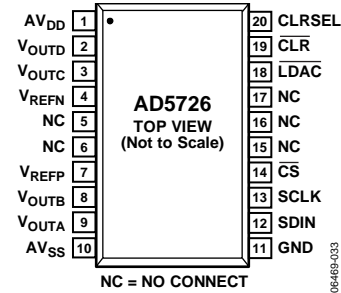


Figure 6. 20-Lead SSOP Pin Configuration

Table 7. Pin Function Descriptions

Pin No.		Mnemonic	Description
16-Lead SSOP/SOIC	20-Lead SSOP		
1	1	AV _{DD}	Positive Analog Supply Pin. Voltage range is from 5 V to 15 V.
2	2	V _{OUTD}	Buffered Analog Output Voltage of DAC D.
3	3	V _{OUTC}	Buffered Analog Output Voltage of DAC C.
4	4	V _{REFN}	Negative DAC Reference Input. The voltage applied to this pin defines the zero-scale output. Allowable range is AV _{SS} to V _{REFP} - 2.5 V.
5	7	V _{REFP}	Positive DAC Reference Input. The voltage applied to this pin defines the full-scale output voltage. Allowable range is AV _{DD} - 2.5 V to V _{REFN} + 2.5 V.
6	8	V _{OUTB}	Buffered Analog Output Voltage of DAC B.
7	9	V _{OUTA}	Buffered Analog Output Voltage of DAC A.
8	10	AV _{SS}	Negative Analog Supply Pin. Voltage range is from 0 V to -15 V.
9	11	GND	Ground Reference Pin.
10	12	SDIN	Serial <u>D</u> ata Input. Data must be valid on the rising edge of SCLK. This input is ignored when \overline{CS} is high.
11	13	SCLK	Serial Clock Input. Data is clocked into the input register on the rising edge of SCLK.
12	14	\overline{CS}	Active Low Chip Select Pin. This pin must be active for data to be clocked in. This pin is logically OR'ed with the SCLK input and disables the serial data input when high.
13	5, 6, 15, 16, 17	NC	No Internal Connection.
14	18	\overline{LDAC}	Active Low, Asynchronous Load DAC Input. The data currently contained in the serial input register is transferred out to the DAC data registers on the falling edge of \overline{LDAC} , independent of \overline{CS} . Input data must remain stable while \overline{LDAC} is low.
15	19	\overline{CLR}	Active Low Input. Sets input register and DAC registers to zero-scale (0x000) or midscale (0x800), depending on the state of CLRSEL. The data in the serial input register is unaffected by this control.
16	20	CLRSEL	Determines the action of \overline{CLR} . If high, a clear command sets the internal DAC registers to midscale (0x800). If low, the registers are set to zero (0x000).

TYPICAL PERFORMANCE CHARACTERISTICS

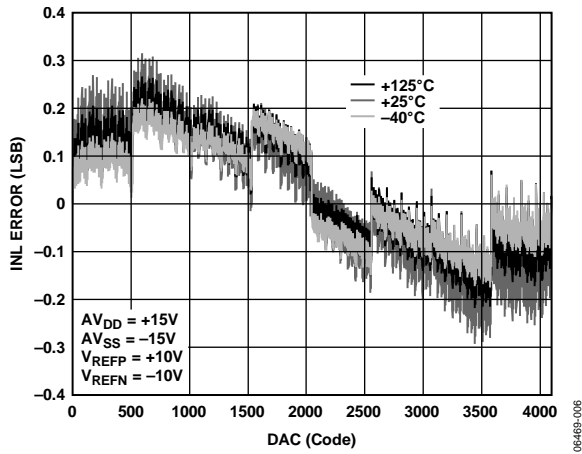


Figure 7. INL Error vs. DAC Code

06469-006

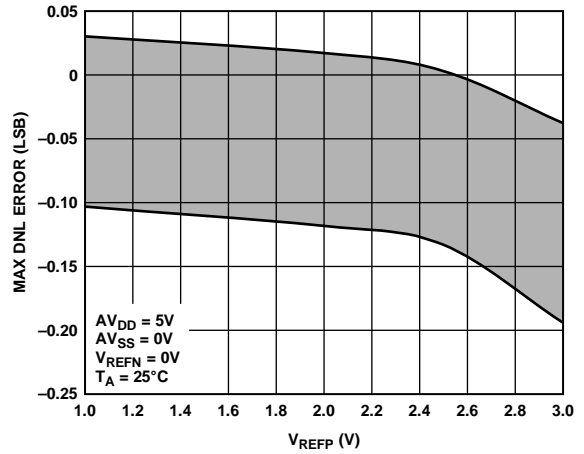


Figure 10. Maximum DNL Error vs. V_{REFP}

06469-009

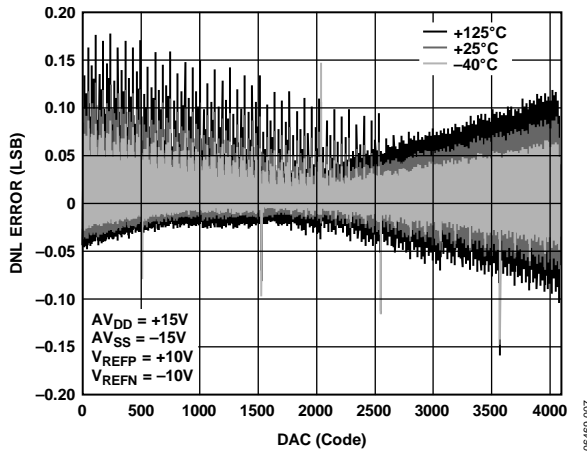


Figure 8. DNL Error vs. DAC Code

06469-007

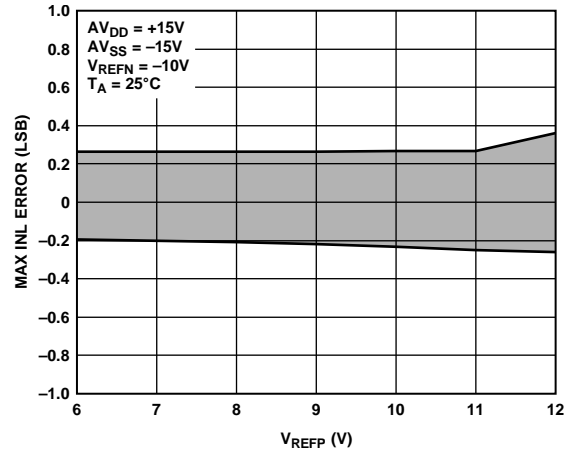


Figure 11. Maximum INL Error vs. V_{REFP}

06469-010

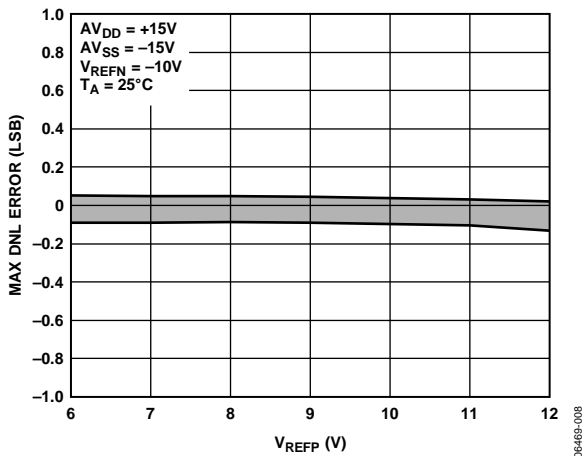


Figure 9. Maximum DNL Error vs. V_{REFP}

06469-008

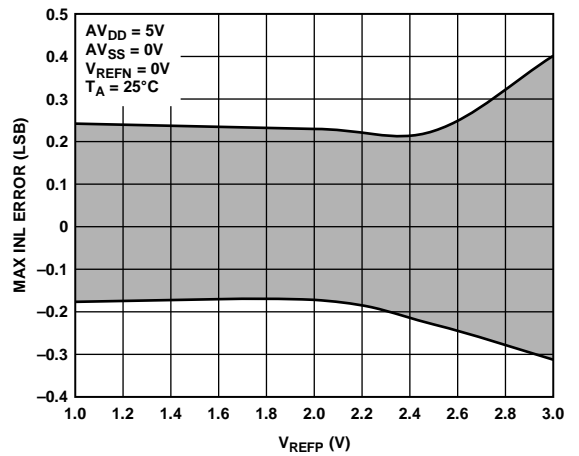


Figure 12. Maximum INL Error vs. V_{REFP}

06469-011

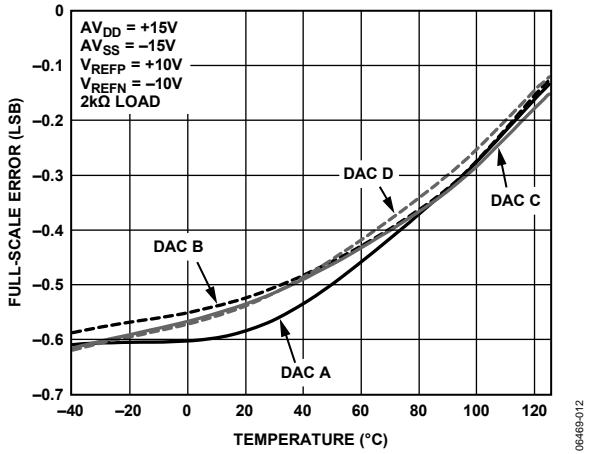


Figure 13. Full-Scale Error vs. Temperature

06469-012

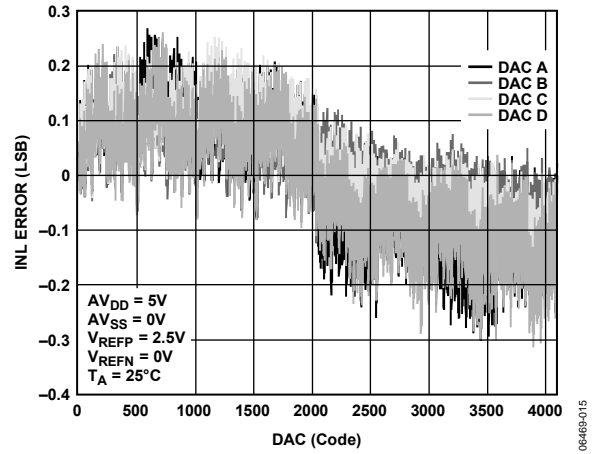


Figure 16. Channel-to-Channel Matching

06469-015

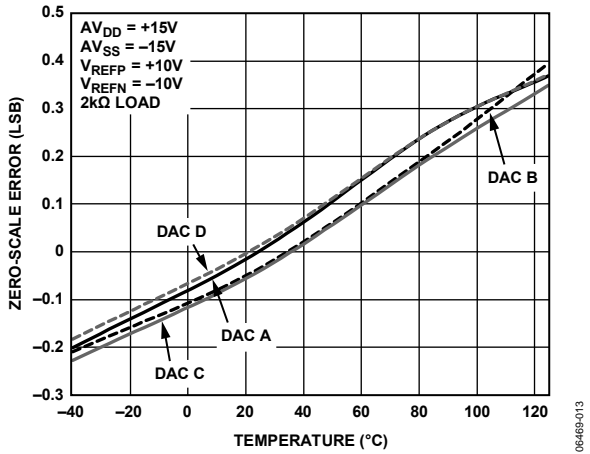


Figure 14. Zero-Scale Error vs. Temperature

06469-013

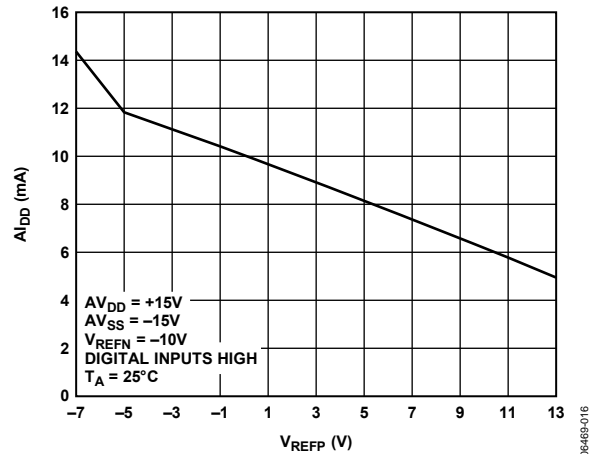


Figure 17. I_{DD} vs. V_{REFP} , All DACs Loaded with Full-Scale Code

06469-016

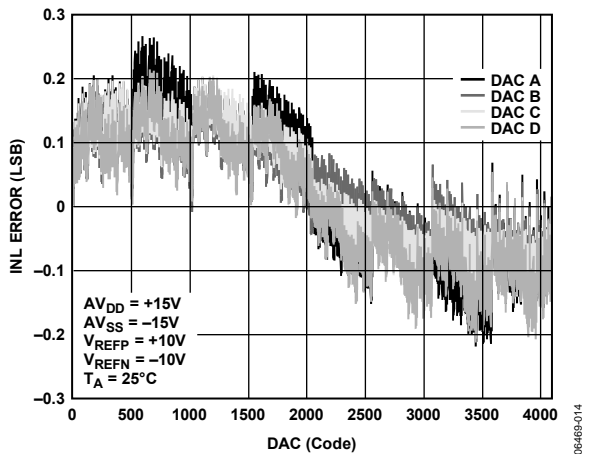


Figure 15. Channel-to-Channel Matching

06469-014

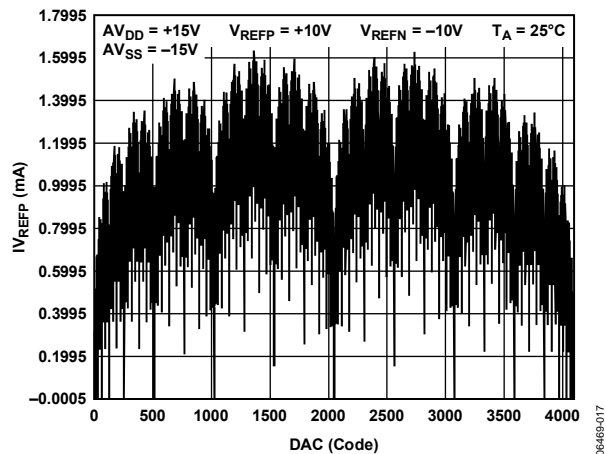


Figure 18. I_{VREFP} vs. DAC Code

06469-017

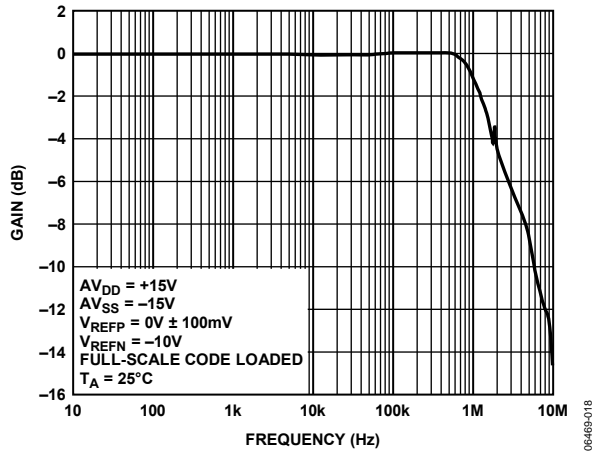


Figure 19. Small Signal Response

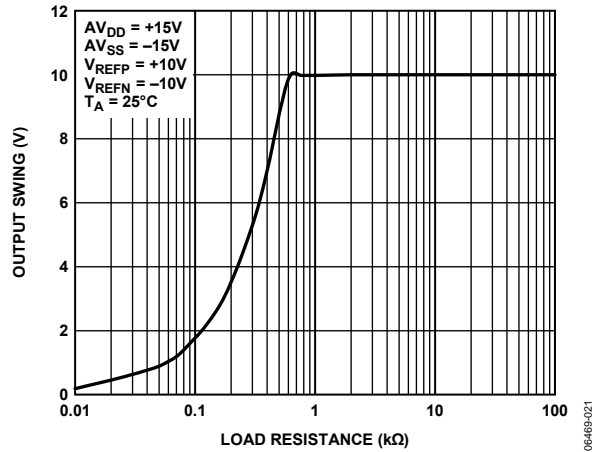


Figure 22. Output Swing vs. Load Resistance

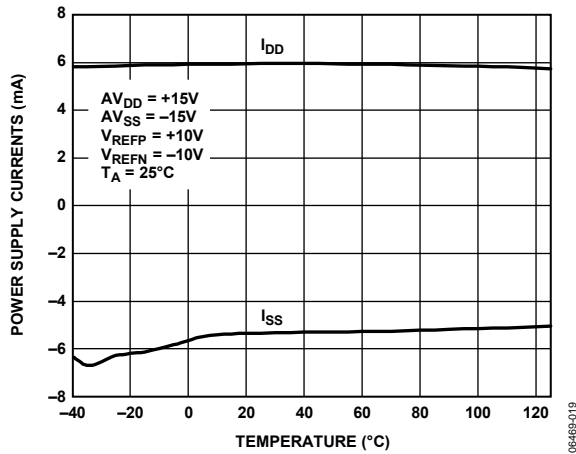


Figure 20. Power Supply Currents vs. Temperature

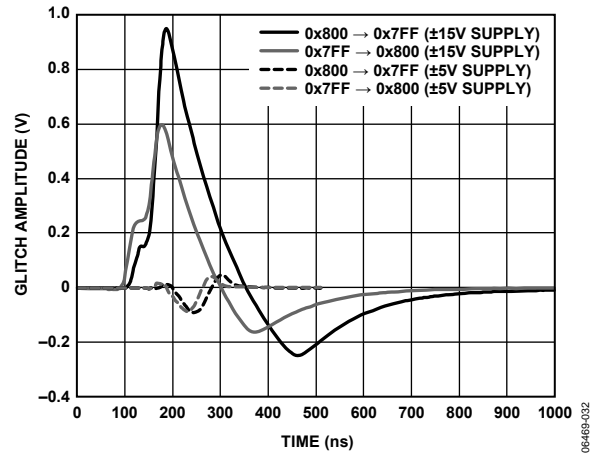


Figure 23. Major Code Transition Glitch

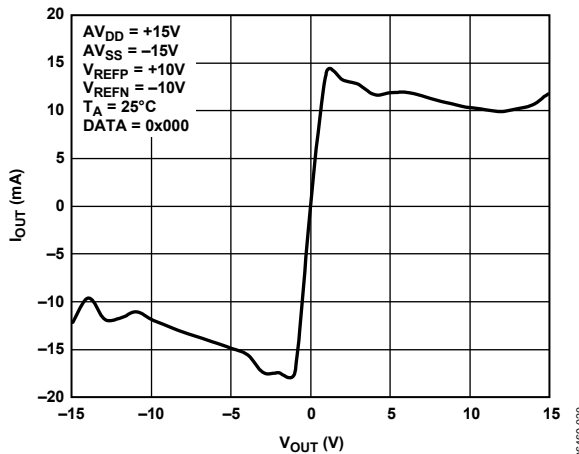


Figure 21. Output Current vs. Output Voltage

TERMINOLOGY

Relative Accuracy or Integral Nonlinearity (INL)

For the DAC, relative accuracy or integral nonlinearity (INL) is a measure of the maximum deviation, in LSBs, from a straight line passing through the endpoints of the DAC transfer function. A typical INL vs. code plot is shown in Figure 7.

Differential Nonlinearity (DNL)

Differential nonlinearity (DNL) is the difference between the measured change and the ideal 1 LSB change between any two adjacent codes. A specified differential nonlinearity of ± 1 LSB maximum ensures monotonicity. This DAC is guaranteed monotonic by design. A typical DNL vs. code plot is shown in Figure 8.

Monotonicity

A DAC is monotonic if the output either increases or remains constant for increasing digital input code. The AD5726 is monotonic over its full operating temperature range.

Full-Scale Error

Full-scale error is a measure of the output error when full-scale code is loaded to the DAC register. Ideally, the output should be $V_{REFP} - 1$ LSB. Full-scale error is expressed in LSBs. A plot of full-scale error vs. temperature is shown in Figure 13.

Zero-Scale Error

Zero-scale error is the error in the DAC output voltage when 0x0000 (straight binary coding) is loaded to the DAC register. Ideally, the output voltage should be V_{REFN} . A plot of zero-scale error vs. temperature is shown in Figure 14.

Zero-Scale Error Temperature Coefficient

Zero-scale error temperature coefficient is a measure of the change in zero-scale error with a change in temperature. Zero-scale error temperature coefficient is expressed in ppm FSR/ $^{\circ}$ C.

Output Voltage Settling Time

Output voltage settling time is the amount of time it takes for the output to settle to a specified level for a full-scale input change.

Slew Rate

The slew rate of a device is a limitation in the rate of change of the output voltage. The output slewing speed of a voltage-output DAC converter is usually limited by the slew rate of the amplifier used at its output. Slew rate is measured from 10% to 90% of the output signal and is given in V/ μ s.

Digital Feedthrough

Digital feedthrough is a measure of the impulse injected into the analog output of the DAC from the digital inputs of the DAC, but is measured when the DAC output is not updated. It is specified in nV-sec and measured with a full-scale code change on the data bus.

Power Supply Sensitivity

Power supply sensitivity indicates how the output of the DAC is affected by changes in the power supply voltage.

Analog Crosstalk

Analog crosstalk is the dc change in the output level of one DAC in response to a change in the output of another DAC. It is measured with a full-scale output change on one DAC while monitoring another DAC. It is expressed in decibels.

Major Code Transition Glitch Impulse

Major code transition glitch impulse is the impulse injected into the analog output when the input code in the DAC register changes state, but the output voltage remains constant. It is normally specified as the area of the glitch in nV-sec and is measured when the digital input code is changed by 1 LSB at the major code transition (0x7FF to 0x800 and 0x800 to 0x7FF). See Figure 23.

THEORY OF OPERATION

The [AD5726](#) is a quad, 12-bit, serial input, unipolar/bipolar voltage output DAC. It operates from single-supply voltages of +5 V to +15 V or dual-supply voltages of ± 5 V to ± 15 V. The four outputs are buffered and capable of driving a 2 k Ω load. Data is written to the [AD5726](#) in a 16-bit word format via a 3-wire serial interface.

DAC ARCHITECTURE

Each of the four DACs is a voltage switched, high impedance (50 k Ω), R-2R ladder configuration. Each 2R resistor is driven by a pair of switches that connect the resistor to either V_{REFP} or V_{REFN} .

OUTPUT AMPLIFIERS

The [AD5726](#) features buffered analog voltage outputs capable of sourcing and sinking up to 5 mA when operating from ± 15 V supplies, eliminating the need for external buffer amplifiers in most applications while maintaining specified accuracy over the rated operating conditions. The output amplifiers are short-circuit protected. The designer should verify that the output load meets the capabilities of the device, in terms of both output current and load capacitance. The [AD5726](#) is stable with capacitive loads up to 2 nF typically. However, any capacitance load increases the settling time and should be minimized if speed is a concern.

The output stage includes a P-channel MOSFET to pull the output voltage down to the negative supply. This is very important in single-supply systems where V_{REFN} usually has the same potential as the negative supply. With no load, the zero-scale output voltage in these applications is less than 500 μ V typically, or less than 1 LSB when $V_{REFP} = 2.5$ V. However, when sinking current, this voltage increases because of the finite impedance of the output stage. The effective value of the pull-down resistor in the output stage is typically 320 Ω . With a 100 k Ω resistor connected to 5 V, the resulting zero-scale output voltage is 16 mV. Thus, the best single-supply operation is obtained with the output load connected to ground, so the output stage does not have to sink current.

Like all amplifiers, the [AD5726](#) output buffers generate voltage noise, 5 nV/ $\sqrt{\text{Hz}}$ typically. This is easily reduced by adding a simple RC low-pass filter on each output.

REFERENCE INPUTS

The two reference inputs of the [AD5726](#) allow a great deal of flexibility in circuit design. The user must take care, however, to observe the minimum voltage input levels on V_{REFP} and V_{REFN} to maintain the accuracy shown in the data sheet. These input voltages can be set anywhere across a wide range within the supplies, but must be a minimum of 2.5 V apart in any case (see Figure 24). A wide output voltage range can be obtained with ± 5 V references that can be provided by the [AD588](#) as shown in Figure 26. Many applications utilize the DACs to

synthesize symmetric bipolar waveforms, which require an accurate, low drift bipolar reference. The [AD588](#) provides both voltages and needs no external components. Additionally, the part is trimmed in production for 12-bit accuracy over the full temperature range without user calibration.

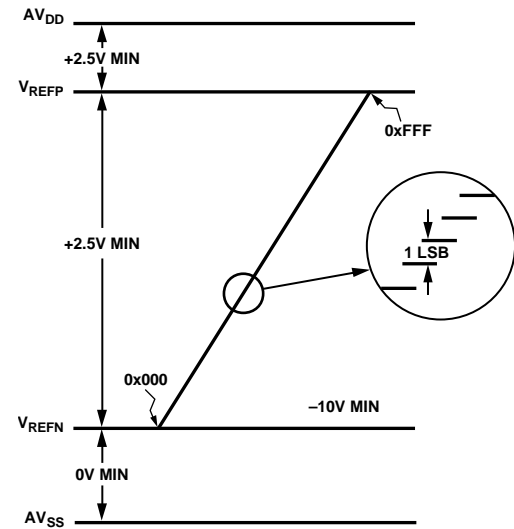


Figure 24. Output Voltage Range Programming

When driving the reference input, it is important to note that V_{REFP} both sinks and sources current, and that the input currents of both are code dependent. Many voltage reference products have limited current sinking capabilities and must be buffered with an amplifier to drive V_{REFP} to maintain overall system accuracy. The input, V_{REFN} , however, has no such requirement.

For a single 5 V supply, V_{REFP} is limited to 2.5 V at the most, and must always be at least 2.5 V less than the positive supply to ensure linearity of the device. For these applications, the [AD780](#) is an excellent low drift 2.5 V reference. It works well with the [AD5726](#) in a single 5 V system, as shown in Figure 28.

It is recommended that the reference inputs be bypassed with 0.2 μ F capacitors when operating with ± 10 V references. This limits the reference bandwidth.

V_{REFP} Input Requirements

The [AD5726](#) uses a DAC switch driver circuit that compensates for different supplies, reference voltages, and digital code inputs. This ensures that all DAC ladder switches are always biased equally, ensuring excellent linearity under all conditions. Thus, as indicated in the specifications, the V_{REFP} input of the [AD5726](#) requires both sourcing and sinking current capability from the reference voltage source. Many positive voltage references are intended as current sources only and offer little sinking capability. The user should consider references such as the [AD584](#), [AD586](#), [AD587](#), [AD588](#), [AD780](#), and [REF43](#) for such an application.

SERIAL INTERFACE

The AD5726 is controlled over a versatile 3-wire serial interface that operates at clock rates up to 30 MHz and is compatible with SPI, QSPI™, MICROWIRE™, and DSP standards.

Input Shift Register

The input shift register is 16 bits wide. Data is loaded into the device MSB first as a 16-bit word under the control of a serial clock input, SCLK. The input register consists of two address bits, two don't care bits, and 12 data bits as shown in Table 10. The timing diagram for this operation is shown in Figure 2.

When \overline{CS} is low, the data presented to the input, SDIN, is shifted MSB first into the internal shift register on the rising edge of SCLK. Once all 16 bits of the serial data-word have been input, the load control \overline{LDAC} is strobed, and the word is latched onto the internal data bus. The two address bits are decoded and used to route the 12-bit data-word to the appropriate DAC data register.

Operation of \overline{CS} and SCLK

The \overline{CS} and SCLK pins are internally fed to the same logical OR gate and, therefore, require careful attention during a load cycle to avoid clocking in false data bits. As shown in the timing diagram in Figure 2, SCLK must be halted high, or \overline{CS} must be brought high, during the last high portion of SCLK following the rising edge that clocked in the last data bit. Otherwise, an additional rising edge is generated by \overline{CS} rising while SCLK is low, causing \overline{CS} to act as the clock and allowing a false data bit into the input shift register. The same must also be considered for the beginning of the data load sequence.

Coding

The AD5726 uses binary coding. The output voltage can be calculated from the following equation:

$$V_{OUT} = V_{REFN} + \frac{(V_{REFP} - V_{REFN}) \times D}{4096}$$

where D is the digital code in decimal.

Table 10. Input Register Format

DB0	DB1	DB2	DB3	DB4	DB5	DB6	DB7	DB8	DB9	DB10	DB11	DB12	DB13	DB14	DB15
A1	A0	X	X	D11	D10	D9	D8	D7	D6	D5	D4	D3	D2	D1	D0

Load DAC (\overline{LDAC})

When asserted, the \overline{LDAC} pin is an asynchronous, active low, digital input that transfers the contents of the input register to the internal data bus, updating the addressed DAC output. New data must not be programmed to the AD5726 while the \overline{LDAC} pin is low.

\overline{CLR} and CLRSEL

The \overline{CLR} control allows the user to perform an asynchronous clear function. Asserting \overline{CLR} loads all four DAC registers, forcing the DAC outputs to either zero scale (0x000) or midscale (0x800), depending on the state of CLRSEL as shown in Table 8. The \overline{CLR} function is asynchronous and independent of \overline{CS} .

When \overline{CLR} returns high, the DAC outputs remain at the clear value until \overline{LDAC} is strobed, reloading the individual DAC registers with either the data held in the input register prior to the clear or with new data loaded through the serial interface.

Table 8. \overline{CLR} /CLRSEL Truth Table

\overline{CLR}	CLRSEL	DAC Registers
0	0	Zero scale (0x000)
0	1	Midscale (0x800)
1	0	No change
1	1	No change

Table 9. DAC Address Word Decode Table

A1	A0	DAC Addressed
0	0	DAC A
0	1	DAC B
1	0	DAC C
1	1	DAC D

APPLICATIONS INFORMATION

POWER-UP SEQUENCE

To prevent CMOS latch-up conditions, powering AV_{DD} , AV_{SS} , and GND prior to any reference voltages is recommended. The ideal power-up sequence is GND, AV_{SS} , AV_{DD} , V_{REFP} , V_{REFN} , and the digital inputs. Noncompliance with the power-up sequence over an extended period can elevate the reference currents and eventually damage the device. On the other hand, if the non-compliant power-up sequence condition is as short as a few milliseconds, the device can resume normal operation without damage once AV_{DD}/AV_{SS} are powered up.

REFERENCE CONFIGURATION

Output voltage ranges can be configured as either unipolar or bipolar, and within these choices, a wide variety of options exists. The unipolar configuration can be either a positive (as shown in Figure 25) or a negative voltage output. The bipolar configuration can be either symmetrical (as shown in Figure 26) or nonsymmetrical.

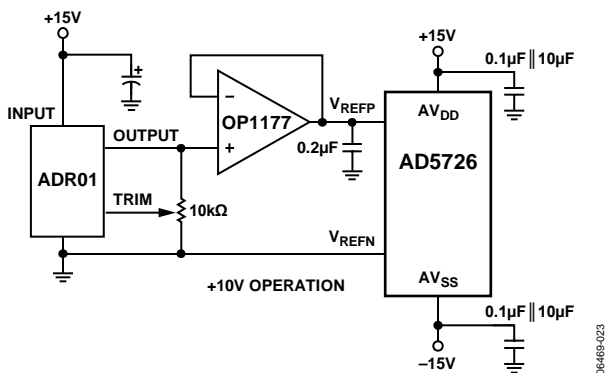


Figure 25. Unipolar +10 V Operation

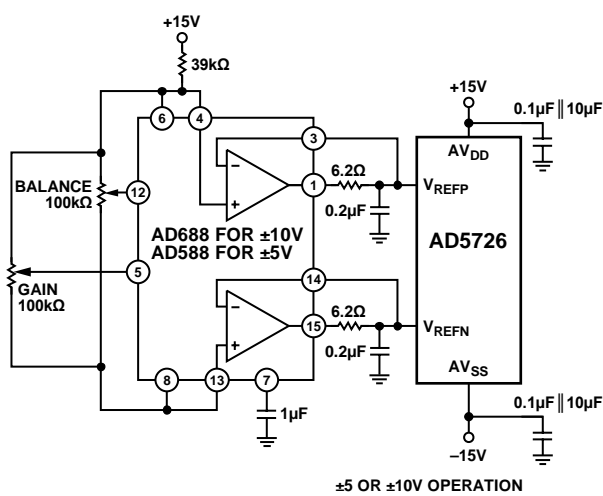


Figure 26. Symmetrical Bipolar Operation

Figure 26 (symmetrical bipolar operation) shows the AD5726 configured for ± 10 V operation. See the AD688 data sheet for a full explanation of the reference operation.

Adjustments may not be necessary for many applications because the AD688 is a very high accuracy reference. However, if additional adjustments are required, adjust the AD5726 full-scale first. Begin by loading the digital full-scale code (0xFFFF). Then, modify the gain adjust potentiometer to attain a DAC output voltage of 9.9976 V. Next, alter the balance adjust to set the midscale output voltage to 0.000 V.

The 0.2 μ F bypass capacitors shown at their reference inputs in Figure 26 should be used whenever ± 10 V references are used. Applications with single references or references to ± 5 V may not require the 0.2 μ F bypassing. The 6.2 Ω resistor in series with the output of the reference amplifier keeps the amplifier from oscillating with the capacitive load. This has been found to be large enough to stabilize this circuit. Larger resistor values are acceptable if the drop across the resistor does not exceed a V_{BE} . Assuming a minimum V_{BE} of 0.6 V and a maximum current of 2.75 mA, the resistor should be under 200 Ω for the loading of a single AD5726.

Using two separate references is not recommended. Having two references may cause different drifts with time and temperature, whereas with a single reference, most drifts track.

Unipolar positive full-scale operation can usually be set by a reference with the correct output voltage. This is preferable to using a reference and dividing down to the required value. For a +10 V full-scale output, the circuit can be configured as shown in Figure 25. In this configuration, the full-scale value is first set by adjusting the 10 k Ω resistor for a full-scale output of 9.9976 V.

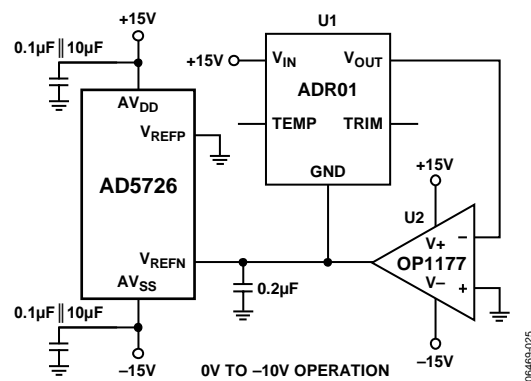


Figure 27. Unipolar -10 V Operation

Figure 27 shows the AD5726 configured for -10 V to 0 V operation. An ADR01 and OP1177 are configured to produce a -10 V output that is connected directly to V_{REFP} for the reference voltage.

Single 5V Supply Operation

For operation with a 5 V supply, the reference voltage should be set between 1.0 V and 2.5 V for optimum linearity. Figure 28 shows an AD780 used to supply a 2.5 V reference voltage. The headroom of the reference and DAC are both sufficient to support a +5 V supply with ± 5 V tolerance.

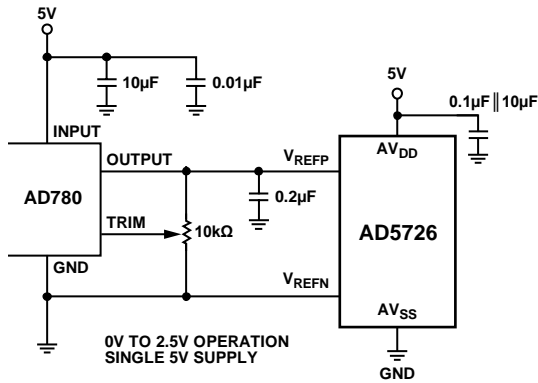


Figure 28. 5 V Single-Supply Operation

POWER SUPPLY BYPASSING AND GROUNDING

In any circuit where accuracy is important, careful consideration to the power supply and ground return layout helps to ensure the rated performance. The AD5726 has a single ground pin that is internally connected to the digital section as the logic reference level. The user's first instinct may be to connect this pin to the digital ground; however, in large systems, the digital ground is often noisy because of the switching currents of other digital circuitry. Any noise introduced at the ground pin could couple into the analog output. Thus, to avoid error-causing digital noise in the sensitive analog circuitry, the ground pin should be connected to the system analog ground.

The ground path (circuit board trace) should be as wide as possible to reduce any effects of parasitic inductance and ohmic drops. A ground plane is recommended if possible. The noise immunity of the on-board digital circuitry, typically in the hundreds of millivolts, is well able to reject the common-mode noise typically seen between system analog and digital grounds. Finally, connect the analog and digital ground to each other at a single point in the system to provide a common reference. This connection is preferably done at the power supply.

Good grounding practice is essential to maintain analog performance in the surrounding analog support circuitry as well. With two reference inputs and four analog outputs capable of moderate bandwidth and output current, there is a significant potential for ground loops. Again, a ground plane is recommended as the most effective solution to minimize errors due to noise and ground offsets.

The AD5726 should have ample supply bypassing located as close to the package as possible. Recommended capacitor values are 10 μ F in parallel with 0.1 μ F. The 0.1 μ F capacitor should have low effective series resistance (ESR) and effective series inductance (ESI), such as the common ceramic types, which provide a low impedance path to ground at high frequencies to handle transient currents due to internal logic switching.

GALVANICALLY ISOLATED INTERFACE

In many process control applications, it is necessary to provide an isolation barrier between the controller and the unit being controlled to protect and isolate the controlling circuitry from any hazardous common-mode voltages that may occur. Isocouplers provide voltage isolation in excess of 2.5 kV. The serial loading structure of the AD5726 makes it ideal for isolated interfaces because the number of interface lines is kept to a minimum. Figure 29 shows a 4-channel isolated interface connected to the AD5726 using an ADuM1400.

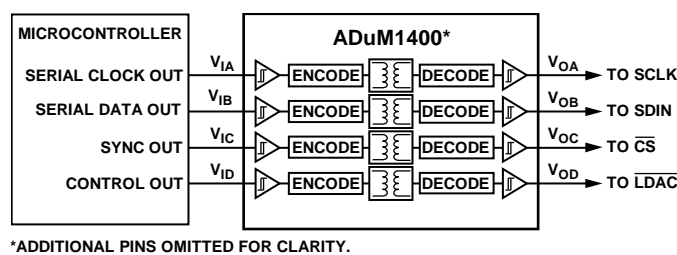


Figure 29. Isolated Interface

MICROPROCESSOR INTERFACING

Microprocessor interfacing to the [AD5726](#) is via a serial bus that uses standard protocol compatible with microcontrollers and DSP processors. The communications channel is a 3-wire interface (minimum) consisting of a clock signal, a data signal, and a synchronization signal. The [AD5726](#) requires a 16-bit data-word with data valid on the falling edge of SCLK.

For all the interfaces, the DAC output update can be done automatically when all the data is clocked in, or it can be done under the control of LDAC.

MC68HC11 Interface

Figure 30 shows an example of a serial interface between the [AD5726](#) and the MC68HC11 microcontroller. The serial peripheral interface (SPI) on the MC68HC11 is configured for master mode (MSTR = 1); clock polarity bit (CPOL = 0), and the clock phase bit (CPHA = 1). The SPI is configured by writing to the SPI control register (SPCR); see the *68HC11 User Manual*. SCK of the MC68HC11 drives the SCLK of the [AD5726](#), the MOSI output drives the serial data line (SDIN) of the [AD5726](#). The CS is driven from one of the port lines, in this case, PC7.

When data is being transmitted to the [AD5726](#), the CS line (PC7) is taken low and data is transmitted MSB first. Data appearing on the MOSI output is valid on the falling edge of SCK. Eight falling clock edges occur in the transmit cycle; thus, to load the required 16-bit word, PC7 is not brought high until the second 8-bit word has been transferred to the input shift register of the DAC.

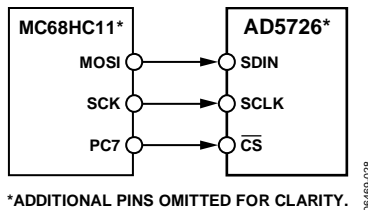


Figure 30. MC68HC11 to [AD5726](#) Interface

8xC51 Interface

The [AD5726](#) requires a clock synchronized to the serial data. For this reason, the 8xC51 must be operated in Mode 0. In this mode, serial data is transferred through RxD, and a shift clock is output on TxD.

P3.3 and P3.4 are bit-programmable pins on the serial port and are used to drive CS and LDAC, respectively. The 8xC51 provides the LSB of its SBUF register as the first bit in the data stream. The user must ensure that the data in the SBUF register is arranged correctly because the DAC expects MSB first. When data is to be transmitted to the DAC, P3.3 is taken low. Data on RxD is clocked out of the microcontroller on the rising edge of TxD and is valid on the falling edge. As a result, no glue logic is required between this DAC and the microcontroller interface.

The 8xC51 transmits data in 8-bit bytes with only eight falling clock edges occurring in the transmit cycle. Because the DAC expects a 16-bit word, CS (P3.3) must be left low after the first eight bits are transferred. After the second byte has been transferred, the P3.3 line is taken high. The DAC can be updated using LDAC via P3.4 of the 8xC51.

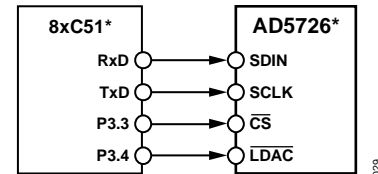


Figure 31. 8xC51 to [AD5726](#) Interface

PIC16C6x/PIC16C7x Interface

The PIC16C6x/PIC16C7x synchronous serial port (SSP) is configured as an SPI master with the clock polarity bit set to 0. This is accomplished by writing to the synchronous serial port control register (SSPCON). See the *PIC16/17 Microcontroller User Manual*. In this example, I/O Port RA1 is used to pulse CS and enable the serial port of the [AD5726](#). This microcontroller transfers only eight bits of data during each serial transfer operation; therefore, two consecutive write operations are needed. Figure 32 shows the connection diagram.

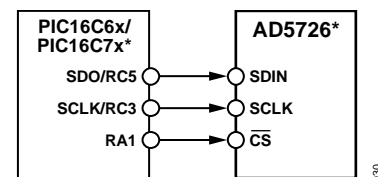


Figure 32. PIC16C6x/PIC16C7x to [AD5726](#) Interface

Blackfin® DSP Interface

Figure 33 shows how the [AD5726](#) can be interfaced to the Analog Devices Blackfin DSP. The Blackfin processor has an integrated SPI port that can be connected directly to the SPI pins of the [AD5726](#). It also has programmable I/O pins that can be used to set the state of a digital input such as the LDAC pin.

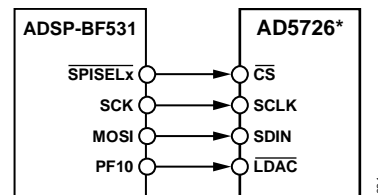
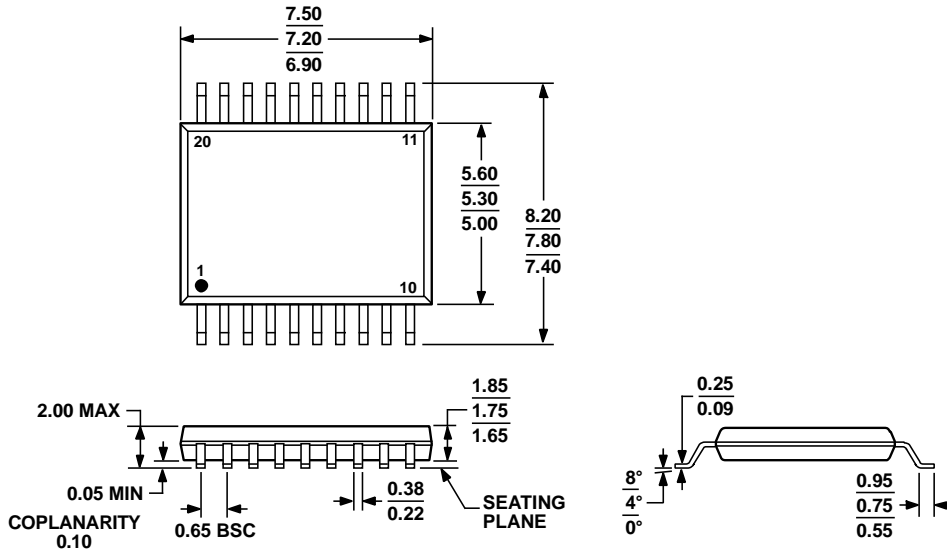


Figure 33. Blackfin DSP to [AD5726](#) Interface

OUTLINE DIMENSIONS

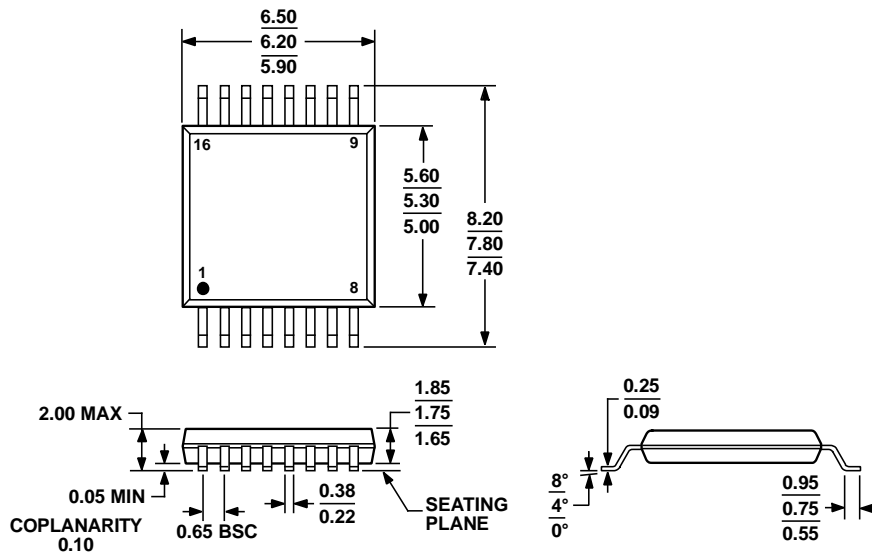


COMPLIANT TO JEDEC STANDARDS MO-150-AE

Figure 34. 20-Lead Shrink Small Outline Package [SSOP] (RS-20)

Dimensions shown in millimeters

060106-A

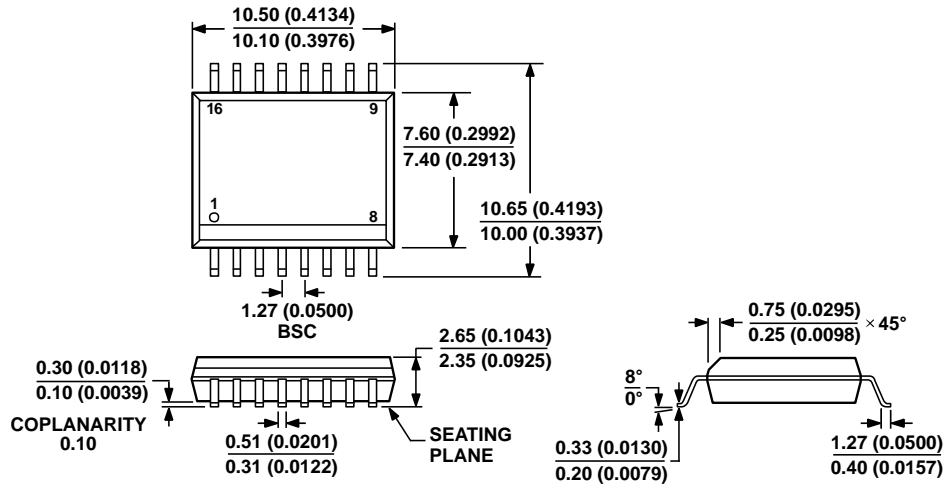


COMPLIANT TO JEDEC STANDARDS MO-150-AC

Figure 35. 16-Lead Shrink Small Outline Package [SSOP] (RS-16)

Dimensions shown in millimeters

060106-A



COMPLIANT TO JEDEC STANDARDS MS-013-AA
 CONTROLLING DIMENSIONS ARE IN MILLIMETERS; INCH DIMENSIONS
 (IN PARENTHESES) ARE ROUNDED-OFF MILLIMETER EQUIVALENTS FOR
 REFERENCE ONLY AND ARE NOT APPROPRIATE FOR USE IN DESIGN.

03-27-2007-B

Figure 36. 16-Lead Standard Small Outline Package [SOIC_W]
 Wide Body
 (RW-16)
 Dimensions shown in millimeters and (inches)

ORDERING GUIDE

Model ¹	Temperature Range	Package Description	Package Option
AD5726YRSZ-1REEL	-40°C to +125°C	20-Lead SSOP	RS-20
AD5726YRSZ-1500RL7	-40°C to +125°C	20-Lead SSOP	RS-20
AD5726YRSZ-500RL7	-40°C to +125°C	16-Lead SSOP	RS-16
AD5726YRSZ-REEL	-40°C to +125°C	16-Lead SSOP	RS-16
AD5726YRWZ-REEL	-40°C to +125°C	16-Lead SOIC_W	RW-16
AD5726YRWZ-REEL7	-40°C to +125°C	16-Lead SOIC_W	RW-16

¹ Z = RoHS Compliant Part.

NOTES

Mouser Electronics

Authorized Distributor

Click to View Pricing, Inventory, Delivery & Lifecycle Information:

[Analog Devices Inc.:](#)

[AD5726YRSZ-1REEL](#) [AD5726YRWZ-REEL](#) [AD5726YRSZ-500RL7](#) [AD5726YRWZ-REEL7](#) [AD5726YRSZ-REEL](#)
[AD5726YRSZ-1500RL7](#)