

# MAXIM

## Quad Bus LVDS Driver with Flow-Through Pinout

MAX9129

### General Description

The MAX9129 is a quad bus low-voltage differential signaling (BLVDS) driver with flow-through pinout. This device is designed to drive a heavily loaded multipoint bus with controlled transition times (1ns 0% to 100% minimum) for reduced reflections. The MAX9129 accepts four LVTTTL/LVCMOS input levels and translates them to output levels of 250mV to 450mV (standard LVDS levels) into a 27Ω load at speeds up to 200Mbps (100MHz).

The power-on reset ensures that all four outputs are disabled and high impedance during power up and power down. The outputs can be set to high impedance by two enable inputs, EN and  $\overline{EN}$ , thus dropping the device to a low-power state of 11mW. The enables are common to all four drivers. The flow-through pinout simplifies PC board layout and reduces crosstalk by keeping the LVTTTL/LVCMOS inputs and BLVDS outputs separated.

The MAX9129 operates from a single +3.3V supply and is specified for operation from -40°C to +85°C. It is available in 16-pin QFN and TSSOP packages. Refer to the MAX9121 data sheet for a quad LVDS line receiver with flow-through pinout.

### Applications

Cell Phone Base Stations  
Add/Drop Muxes  
Digital Cross-Connects  
DSLAMs  
Network Switches/Routers  
Backplane Interconnect  
Clock Distribution

### Features

- ◆ Drive LVDS Levels into a 27Ω Load
- ◆ 1ns (0% to 100%) Minimum Transition Time Reduces Reflections
- ◆ Guaranteed 200Mbps (100MHz) Data Rate
- ◆ Enable Pins for High-Impedance Output
- ◆ High-Impedance Outputs when Powered Off
- ◆ Glitch-Free Power-Up and Power-Down
- ◆ Hot Swappable
- ◆ Flow-Through Pinout
- ◆ Available in Tiny QFN Package (50% Smaller than TSSOP)
- ◆ Single +3.3V Supply

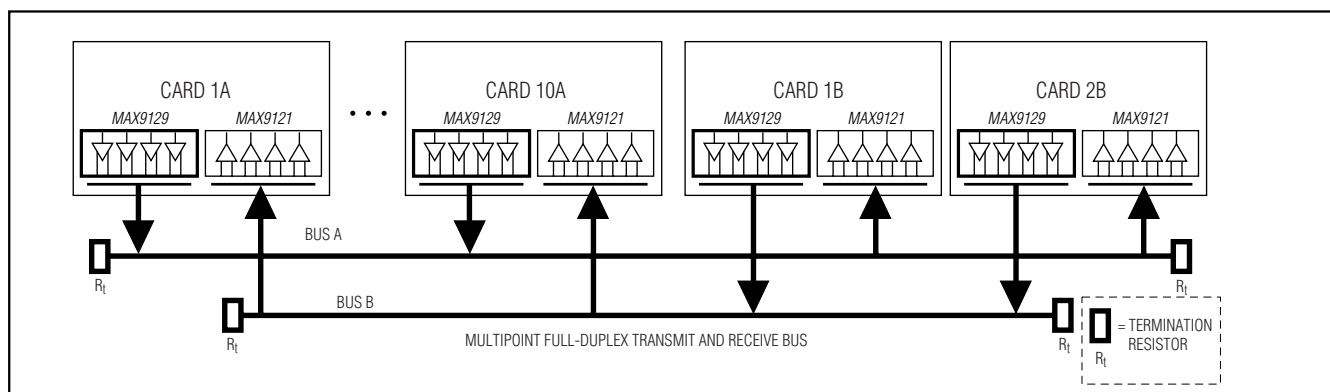
### Ordering Information

PART	TEMP. RANGE	PIN-PACKAGE
MAX9129EGE	-40°C to +85°C	16 QFN
MAX9129EUE	-40°C to +85°C	16 TSSOP

*Functional Diagram appears at end of data sheet.*

*Pin Configurations appear at end of data sheet.*

### Typical Applications Circuit



MAXIM

Maxim Integrated Products 1

**For pricing, delivery, and ordering information, please contact Maxim/Dallas Direct! at 1-888-629-4642, or visit Maxim's website at [www.maxim-ic.com](http://www.maxim-ic.com).**

# Quad Bus LVDS Driver with Flow-Through Pinout

## ABSOLUTE MAXIMUM RATINGS

V <sub>CC</sub> to GND	-0.3V to +4.0V
IN <sub>-</sub> , EN, $\overline{\text{EN}}$ to GND	-0.3V to (V <sub>CC</sub> + 0.3V)
OUT <sub>+</sub> , OUT <sub>-</sub> to GND	-0.3V to +4.0V
Short-Circuit Duration (OUT <sub>+</sub> , OUT <sub>-</sub> )	Continuous
Continuous Power Dissipation (T <sub>A</sub> = +70°C)	
16-Pin QFN (derate 18.5mW/°C above +70°C)	1481mW
16-Pin TSSOP (derate 9.4mW/°C above +70°C)	755mW

Storage Temperature Range	-65°C to +150°C
Maximum Junction Temperature	+150°C
Operating Temperature Range	-40°C to +85°C
ESD Protection	
Human Body Model, OUT <sub>+</sub> , OUT <sub>-</sub>	±8kV
Lead Temperature (soldering, 10s)	+300°C

Stresses beyond those listed under "Absolute Maximum Ratings" may cause permanent damage to the device. These are stress ratings only, and functional operation of the device at these or any other conditions beyond those indicated in the operational sections of the specifications is not implied. Exposure to absolute maximum rating conditions for extended periods may affect device reliability.

## DC ELECTRICAL CHARACTERISTICS

(V<sub>CC</sub> = +3.0V to +3.6V, R<sub>L</sub> = 27Ω ±1%, EN = high,  $\overline{\text{EN}}$  = low, T<sub>A</sub> = -40°C to +85°C, unless otherwise noted. Typical values are at V<sub>CC</sub> = +3.3V, T<sub>A</sub> = +25°C.) (Notes 1, 2)

PARAMETER	SYMBOL	CONDITIONS	MIN	TYP	MAX	UNITS
<b>BLVDS OUTPUTS (OUT<sub>+</sub>, OUT<sub>-</sub>)</b>						
Differential Output Voltage	V <sub>OD</sub>	Figure 1	250	371	450	mV
Change in Magnitude of V <sub>OD</sub> Between Complementary Output States	ΔV <sub>OD</sub>	Figure 1		1	25	mV
Offset Voltage	V <sub>OS</sub>	Figure 1	1.125	1.29	1.375	V
Change in Magnitude of V <sub>OS</sub> Between Complementary Output States	ΔV <sub>OS</sub>	Figure 1		5	25	mV
Output High Voltage	V <sub>OH</sub>			1.465	1.6	V
Output Low Voltage	V <sub>OL</sub>		0.90	1.085		V
Differential Output Short-Circuit Current	I <sub>OSD</sub>	V <sub>OD</sub> = 0			20	mA
Output Short-Circuit Current	I <sub>OS</sub>	OUT <sub>+</sub> = 0 at IN <sub>-</sub> = V <sub>CC</sub> or OUT <sub>-</sub> = 0 at IN <sub>-</sub> = 0			-20	mA
Output High-Impedance Current	I <sub>OZ</sub>	Disabled, OUT <sub>+</sub> = 0 or V <sub>CC</sub> , OUT <sub>-</sub> = 0 or V <sub>CC</sub>	-1		1	μA
Power-Off Output Current	I <sub>OFF</sub>	V <sub>CC</sub> = 0 or open, EN = $\overline{\text{EN}}$ = IN <sub>-</sub> = 0, OUT <sub>+</sub> = 0 or 3.6V, OUT <sub>-</sub> = 0 or 3.6V	-1		1	μA
Output Capacitance	C <sub>OUT</sub>	Capacitance from OUT <sub>+</sub> or OUT <sub>-</sub> to GND		4.3		pF
<b>INPUTS (IN<sub>-</sub>, EN, <math>\overline{\text{EN}}</math>)</b>						
High-Level Input Voltage	V <sub>IH</sub>		2.0		V <sub>CC</sub>	V
Low-Level Input Voltage	V <sub>IL</sub>		GND		0.8	V
Input Current	I <sub>IN</sub>	IN <sub>-</sub> , EN, $\overline{\text{EN}}$ = 0 or V <sub>CC</sub>	-15		15	μA
<b>SUPPLY CURRENT</b>						
Supply Current	I <sub>CC</sub>	R <sub>L</sub> = 27Ω, IN <sub>-</sub> = V <sub>CC</sub> or 0 for all channels		58	70	mA
Disabled Supply Current	I <sub>CCZ</sub>	Disabled		3.2	5	mA

# Quad Bus LVDS Driver with Flow-Through Pinout

MAX9129

## AC ELECTRICAL CHARACTERISTICS

( $V_{CC} = +3.0V$  to  $+3.6V$ ,  $R_L = 27\Omega \pm 1\%$ ,  $C_L = 15pF$ ,  $EN = \text{high}$ ,  $\overline{EN} = \text{low}$ ,  $T_A = -40^\circ\text{C}$  to  $+85^\circ\text{C}$ , unless otherwise noted. Typical values are at  $V_{CC} = +3.3V$ ,  $T_A = +25^\circ\text{C}$ .) (Notes 3, 4, 5)

PARAMETER	SYMBOL	CONDITIONS	MIN	TYP	MAX	UNITS	
Differential Propagation Delay High to Low	t <sub>PHLD</sub>	Figures 2 and 3	1.0	1.98	3.0	ns	
Differential Propagation Delay Low to High	t <sub>PLHD</sub>	Figures 2 and 3	1.0	1.92	3.0	ns	
Differential Pulse Skew (Note 6)	t <sub>SKD1</sub>	Figures 2 and 3			300	ps	
Differential Channel-to-Channel Skew (Note 7)	t <sub>SKD2</sub>	Figures 2 and 3			450	ps	
Differential Part-to-Part Skew (Note 8)	t <sub>SKD3</sub>	Figures 2 and 3			1.2	ns	
Differential Part-to-Part Skew (Note 9)	t <sub>SKD4</sub>	Figures 2 and 3			2.0	ns	
Rise Time	t <sub>TLH</sub>	Figures 2 and 3	MAX9129EGE	0.60	1.19	1.55	ns
			MAX9129EUE	0.60	1.09	1.40	
Fall Time	t <sub>THL</sub>	Figures 2 and 3	MAX9129EGE	0.60	1.12	1.55	ns
			MAX9129EUE	0.60	1.02	1.40	
Disable Time High to Z	t <sub>PHZ</sub>	Figures 4 and 5			8	ns	
Disable Time Low to Z	t <sub>PLZ</sub>	Figures 4 and 5			8	ns	
Enable Time Z to High	t <sub>PZH</sub>	Figures 4 and 5			10	ns	
Enable Time Z to Low	t <sub>PZL</sub>	Figures 4 and 5			10	ns	
Maximum Operating Frequency (Note 10)	f <sub>MAX</sub>	Figure 2	100			MHz	

**Note 1:** Maximum and minimum limits over temperature are guaranteed by design and characterization. Devices are 100% tested at  $T_A = +25^\circ\text{C}$ .

**Note 2:** Current into the device is defined as positive, and current out of the device is defined as negative. All voltages are referenced to ground except  $V_{OD}$  and  $\Delta V_{OD}$ .

**Note 3:** AC parameters are guaranteed by design and characterization.

**Note 4:**  $C_L$  includes probe and jig capacitance.

**Note 5:** Signal generator conditions:  $V_{OL} = 0$ ,  $V_{OH} = V_{CC}$ ,  $f = 100\text{MHz}$ , 50% duty cycle,  $R_O = 50\Omega$ ,  $t_R = t_F = 1\text{ns}$  (10% to 90%).

**Note 6:**  $t_{SKD1}$  is the magnitude difference of differential propagation delays.  $t_{SKD1} = |t_{PHLD} - t_{PLHD}|$ .

**Note 7:**  $t_{SKD2}$  is the magnitude difference of  $t_{PHLD}$  or  $t_{PLHD}$  of one channel to the  $t_{PHLD}$  or  $t_{PLHD}$  of another channel on the same device.

**Note 8:**  $t_{SKD3}$  is the magnitude difference of any differential propagation delays between devices at the same  $V_{CC}$  and within  $5^\circ\text{C}$  of each other.

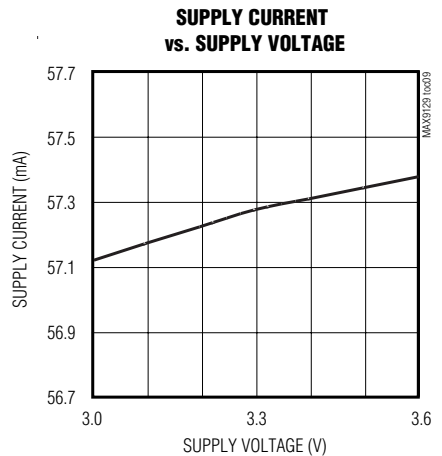
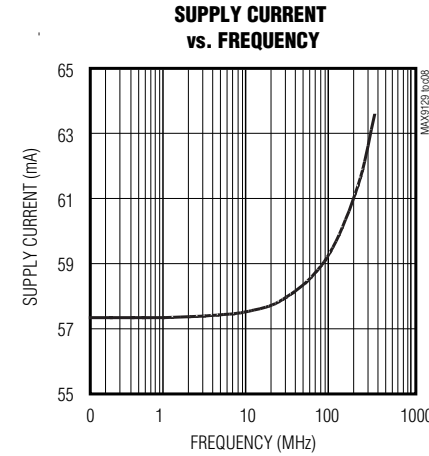
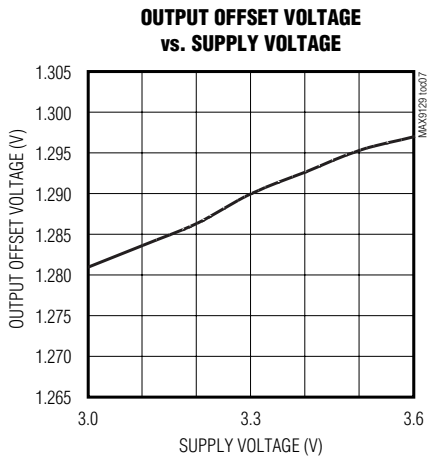
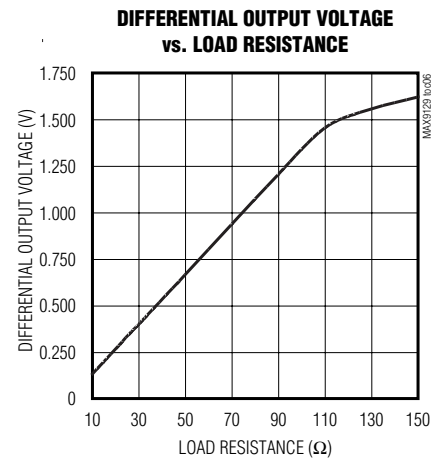
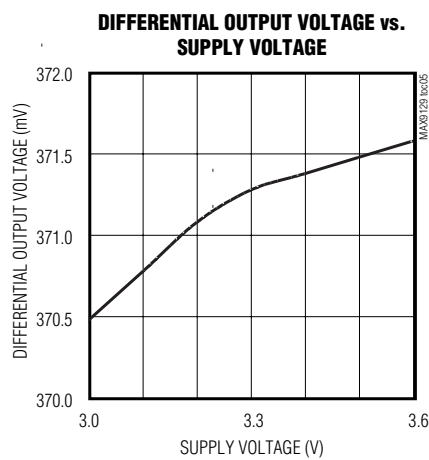
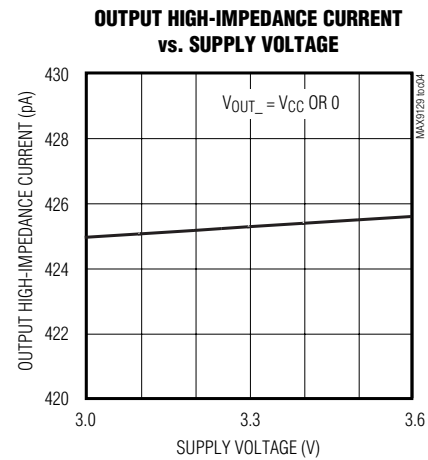
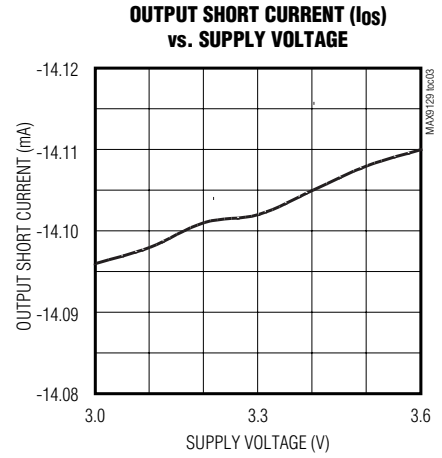
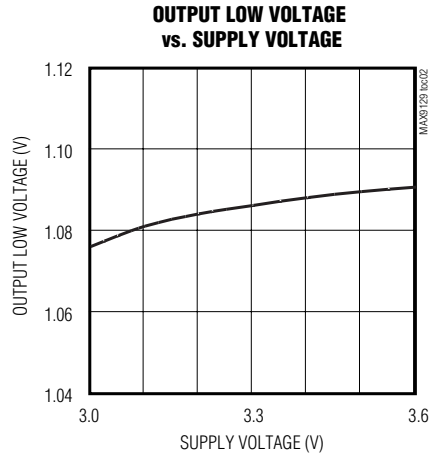
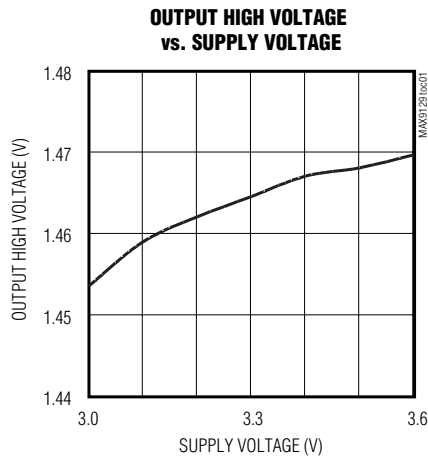
**Note 9:**  $t_{SKD4}$  is the magnitude difference of any differential propagation delays between devices operating over the rated supply and temperature ranges.

**Note 10:** Signal generator conditions:  $V_{OL} = 0$ ,  $V_{OH} = V_{CC}$ ,  $f = 100\text{MHz}$ , 50% duty cycle,  $R_O = 50\Omega$ ,  $t_R = t_F = 1\text{ns}$  (10% to 90%). MAX9129 output criteria: duty cycle = 45% to 55%,  $V_{OD} \geq 250\text{mV}$ , all channels switching.

# Quad Bus LVDS Driver with Flow-Through Pinout

## Typical Operating Characteristics

(MAX9129EUE (TSSOP package),  $V_{CC} = +3.3V$ ,  $R_L = 27\Omega$ ,  $C_L = 15pF$ ,  $T_A = +25^\circ C$ , unless otherwise noted.) (Note 5)

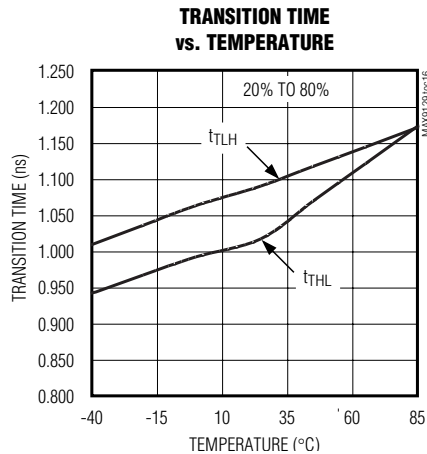
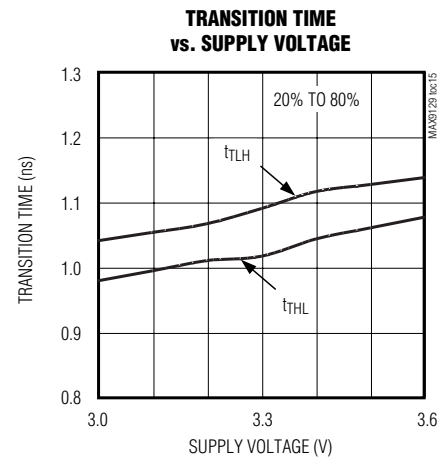
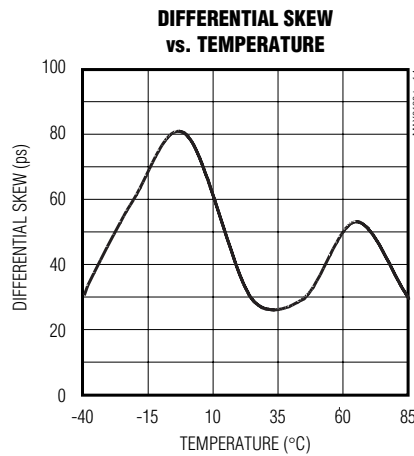
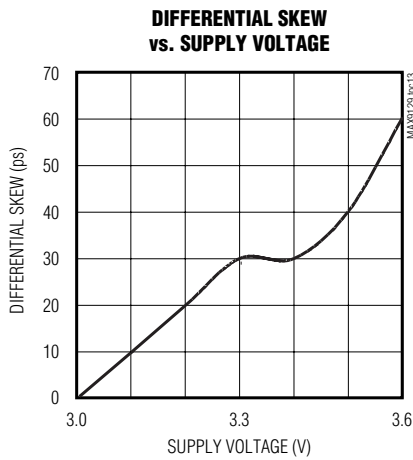
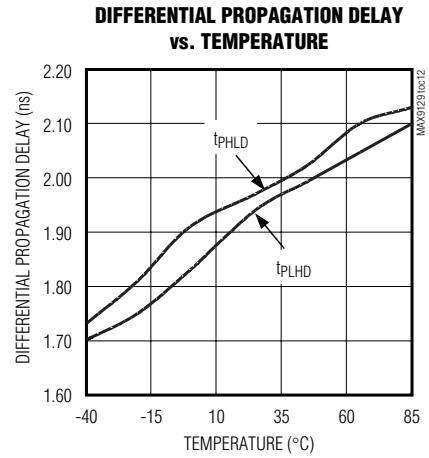
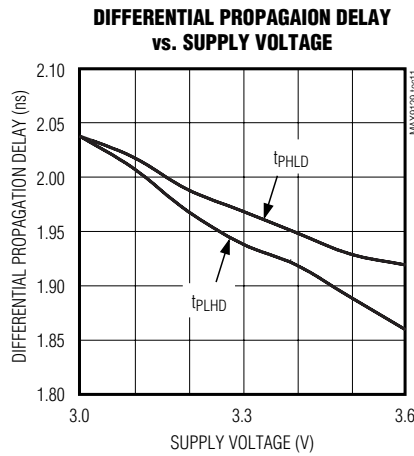
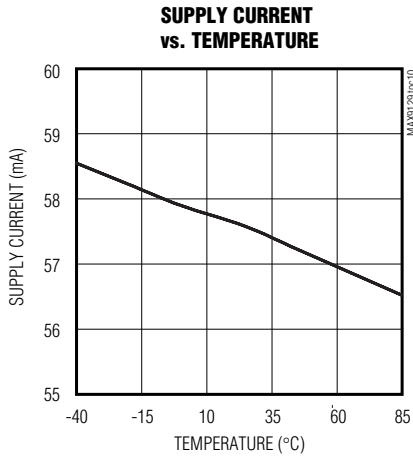


# Quad Bus LVDS Driver with Flow-Through Pinout

MAX9129

## Typical Operating Characteristics (continued)

(MAX9129EUE (TSSOP package),  $V_{CC} = +3.3V$ ,  $R_L = 27\Omega$ ,  $C_L = 15pF$ ,  $T_A = +25^\circ C$ , unless otherwise noted.) (Note 5)



# Quad Bus LVDS Driver with Flow-Through Pinout

## Pin Description

PIN		NAME	FUNCTION
QFN	TSSOP		
15	1	EN	LVTTTL/LVCMOS Enable Input. The driver is disabled when EN is low. EN is internally pulled down. When EN = high and $\overline{EN}$ = low or open, the outputs are active. For other combinations of EN and $\overline{EN}$ , the outputs are disabled and are high impedance.
1, 4, 5, 16	2, 3, 6, 7	IN <sub>-</sub>	LVTTTL/LVCMOS Driver Inputs
2	4	VCC	Power-Supply Input. Bypass VCC to GND with 0.1 $\mu$ F and 0.001 $\mu$ F ceramic capacitors.
3	5	GND	Ground
6	8	$\overline{EN}$	LVTTTL/LVCMOS Enable Input. The driver is disabled when $\overline{EN}$ is high. $\overline{EN}$ is internally pulled down.
7, 10, 11, 14	9, 12, 13, 16	OUT <sub>-</sub>	Inverting BLVDS Driver Outputs
8, 9, 12, 13	10, 11, 14, 15	OUT <sub>+</sub>	Noninverting BLVDS Driver Outputs

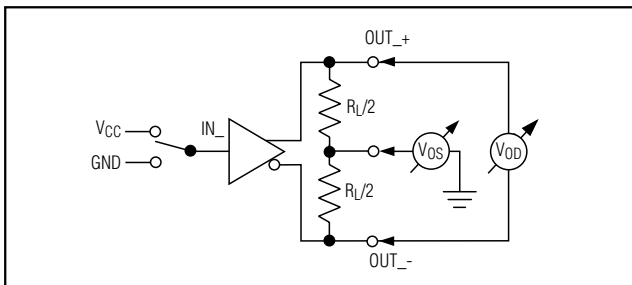


Figure 1. Driver  $V_{OD}$  and  $V_{OS}$  Test Circuit

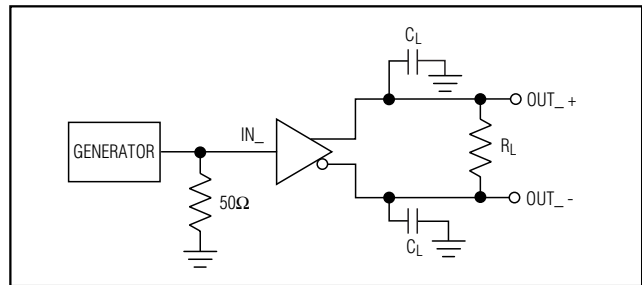


Figure 2. Driver Propagation Delay and Transition Time Test Circuit

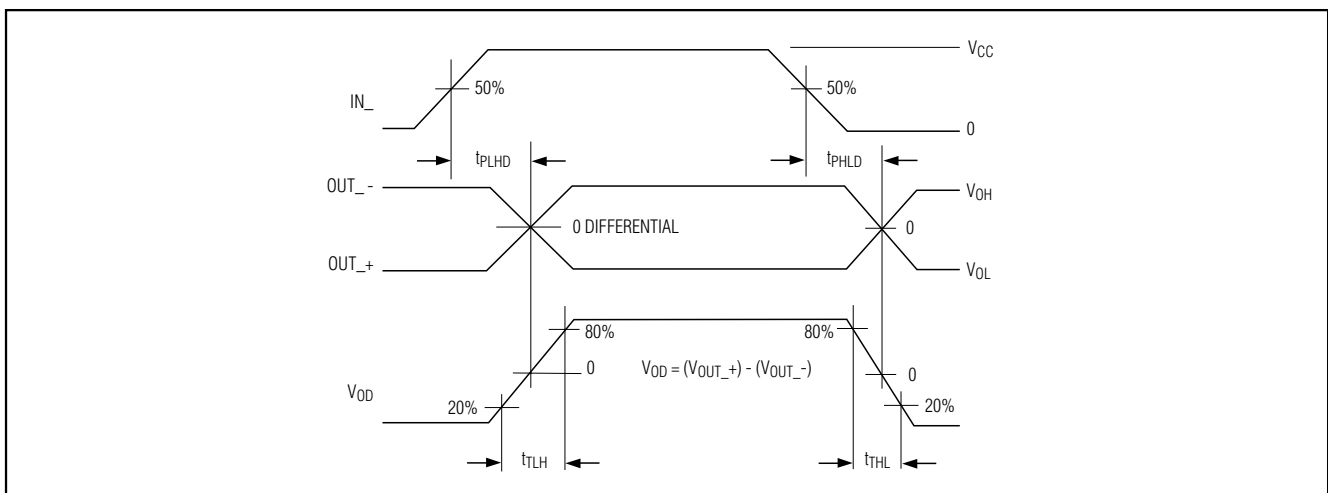


Figure 3. Driver Propagation Delay and Transition Time Waveforms

# Quad Bus LVDS Driver with Flow-Through Pinout

**MAX9129**

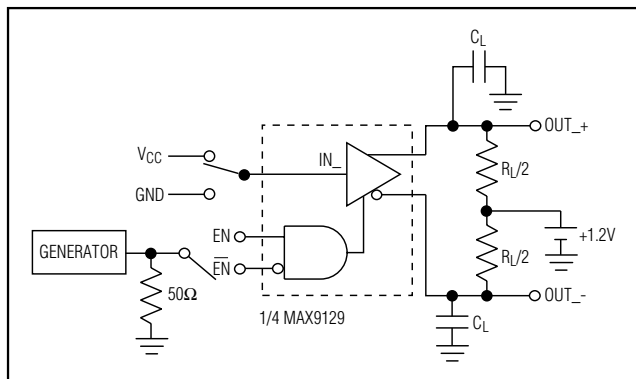


Figure 4. Driver High-Impedance Delay Test Circuit

Table 1. Input/Output Function Table

ENABLES		INPUTS	OUTPUTS	
EN	$\overline{\text{EN}}$	IN_	OUT_+	OUT_-
H	L or open	L	L	H
		H	H	L
All other combinations of EN and $\overline{\text{EN}}$		X	Z	Z

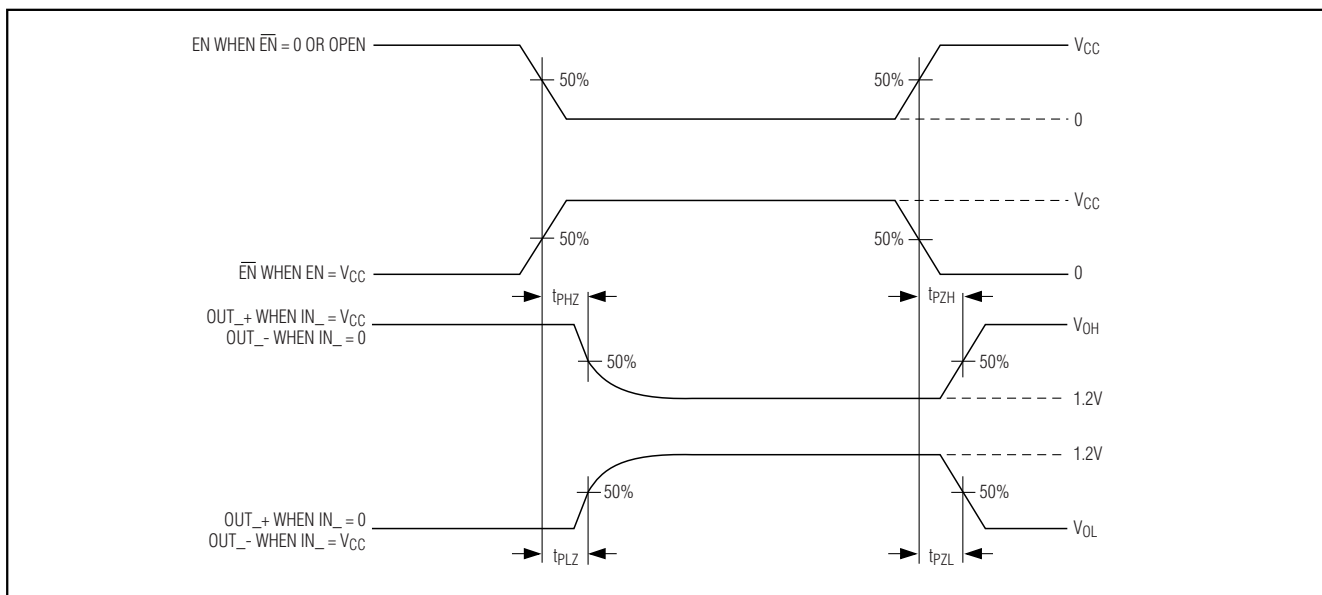


Figure 5. Driver High-Impedance Delay Waveform

## Detailed Description

The MAX9129 is a 200Mbps quad differential BLVDS driver designed for multipoint, heavily loaded backplane applications. This device accepts LVTTTL/LVCMOS input levels and translates them to output levels of 250mV to 450mV into a 27Ω load. The flow-through pinout simplifies board layout and reduces the potential for crosstalk between single-ended inputs and differential outputs. Transition times are designed to reduce reflections, yet enable high data rates. The MAX9129 can be used in conjunction with standard quad LVDS receivers, such

as the MAX9121, to implement full-duplex multipoint buses more efficiently than with transceivers.

### Effect of Capacitive Loading

The characteristic impedance of a differential PC board trace is uniformly reduced when equal capacitive loads are attached at equal intervals (provided the transition time of the signal being driven on the trace is longer than the delay between loads). This kind of loading is typical of multipoint buses where cards are attached at 1in or 0.8in intervals along the length of a backplane.

## Quad Bus LVDS Driver with Flow-Through Pinout

The reduction in characteristic impedance is approximated by the following formula:

$$Z_{\text{DIFF-loaded}} = Z_{\text{DIFF-unloaded}} \times \text{SQRT} [C_o / (C_o + N \times C_L / L)]$$

where:

$Z_{\text{DIFF-unloaded}}$  = unloaded differential characteristic impedance

$C_o$  = unloaded trace capacitance (pF/unit length)

$C_L$  = value of each capacitive load (pF)

$N$  = number of capacitive loads

$L$  = trace length

For example, if  $C_o = 2.5\text{pF/in}$ ,  $C_L = 10\text{pF}$ ,  $N = 18$ ,  $L = 18\text{in}$ , and  $Z_{\text{DIFF-unloaded}} = 120\Omega$ , the loaded differential impedance is:

$$Z_{\text{DIFF-loaded}} = 120\Omega \times \text{SQRT} [2.5\text{pF} / (2.5\text{pF} + 18 \times 10\text{pF}/18\text{in})]$$

$$Z_{\text{DIFF-loaded}} = 54\Omega$$

In this example, capacitive loading reduces the characteristic impedance from  $120\Omega$  to  $54\Omega$ . The load seen by a driver located on a card in the middle of the bus is  $27\Omega$  because the driver sees two  $54\Omega$  loads in parallel. A typical LVDS driver (rated for a  $100\Omega$  load) would not develop a large enough differential signal to be reliably detected by an LVDS receiver. Maxim's BLVDS driver is designed and specified to drive a  $27\Omega$  load to differential voltage levels of 250mV to 450mV (which are standard LVDS driver levels). A standard LVDS receiver is able to detect this level of differential signal.

Short extensions off the bus, called stubs, contribute to capacitive loading. Keep stubs less than 1in for a good balance between ease of component placement and good signal integrity.

The MAX9129 is a current source driver and drives larger differential signal levels into loads higher than  $27\Omega$  and smaller levels into loads less than  $27\Omega$  (see typical operating curves). To keep loading from reducing bus impedance below the rated  $27\Omega$  load, PC board traces can be designed for higher unloaded characteristic impedance.

### Effect of Transition Time

For transition times (measured from 0% to 100%) shorter than the delay between capacitive loads, the loads are seen as low-impedance discontinuities from which the driven signal is reflected. Reflections add and subtract from the signal being driven and cause decreased noise margin and jitter. The MAX9129 is designed for a

minimum transition time of 1ns (rated 0.6ns from 20% to 80%, or about 1ns 0% to 100%) to reduce reflections while being fast enough for high-speed backplane data transmission.

### Power-On Reset

The power-on reset voltage of the MAX9129 is typically 2.25V. When the supply falls below this voltage, the device is disabled and the outputs are in high impedance.

## Applications Information

### Power-Supply Bypassing

Bypass  $V_{CC}$  with high-frequency, surface-mount ceramic  $0.1\mu\text{F}$  and  $0.001\mu\text{F}$  capacitors in parallel as close to the device as possible, with the smaller valued capacitor closest to  $V_{CC}$ .

### Termination

In the example above, the loaded differential impedance of the bus is reduced to  $54\Omega$ . Since it can be driven from any card position, the bus must be terminated at each end. A parallel termination of  $54\Omega$  at each end of the bus placed across the traces that make up the differential pair provides a proper termination. The total load seen by the driver is  $27\Omega$ .

The MAX9129 drives higher differential signal levels into lighter loads. A multidrop bus with the driver at one end and receivers connected at regular intervals along the bus has a lowered impedance due to capacitive loading. Assuming the same impedance calculated in the multidrop example above ( $54\Omega$ ), the multidrop bus can be terminated with a single, parallel-connected  $54\Omega$  resistor at the far end from the driver. Only a single resistor is required because the driver sees one  $54\Omega$  differential trace. The signal swing is larger with a  $54\Omega$  load.

In general, parallel terminate each end of the bus with a resistor matching the differential impedance of the bus (taking into account any reduced impedance due to loading).

### Board Layout

A four-layer PC board that provides separate power, ground, input, and output signals is recommended. Keep the LVTTTL/LVCMOS and BLVDS signals separated to prevent coupling as shown in the suggested layout for the QFN package (not drawn to scale) (Figure 6).



# Quad Bus LVDS Driver with Flow-Through Pinout

MAX9129

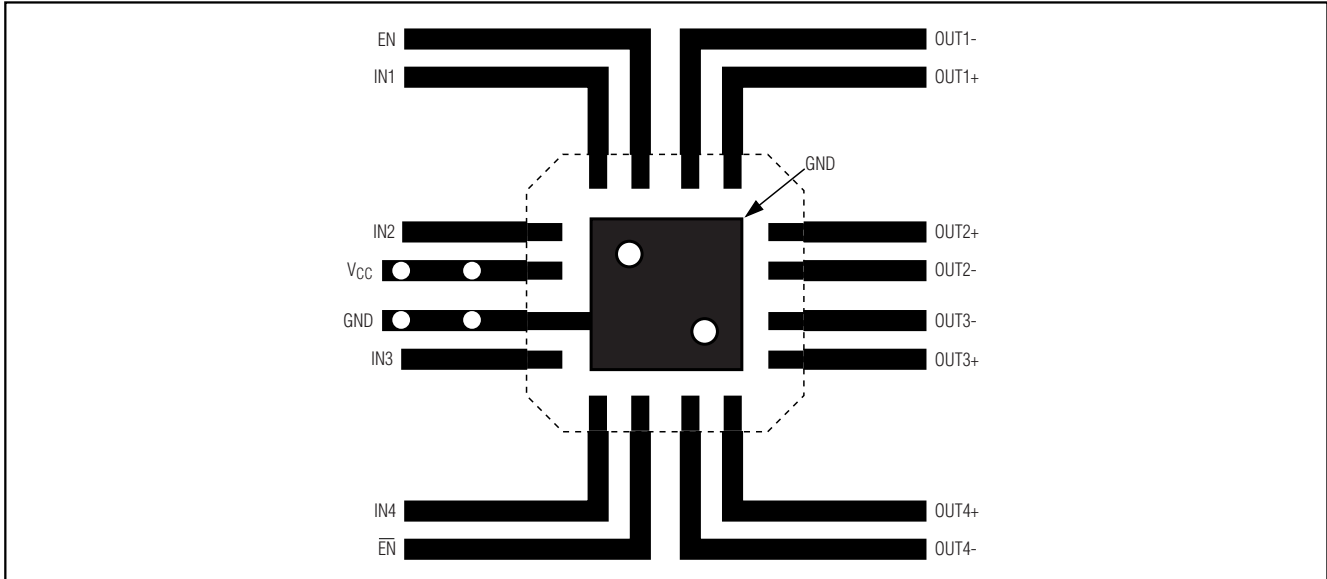


Figure 6. Suggested Layout for QFN Package

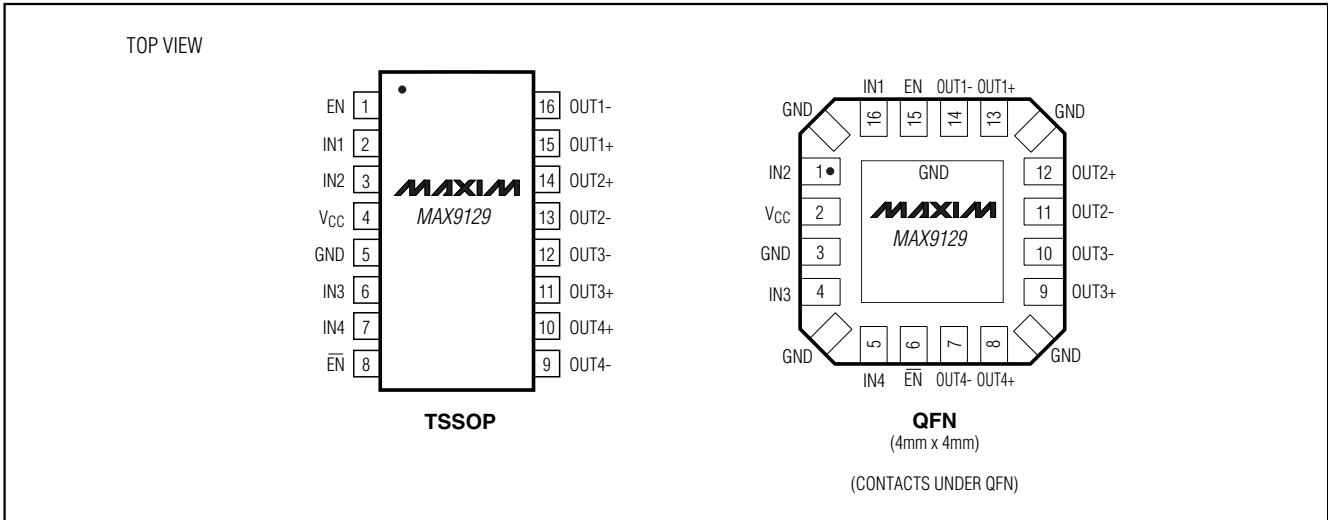
## Chip Information

TRANSISTOR COUNT: 948

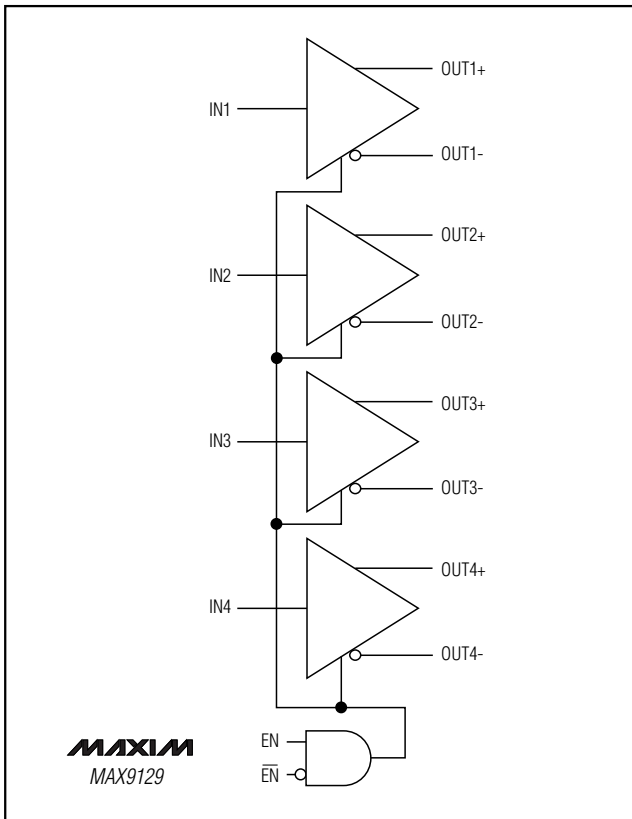
PROCESS: CMOS

# Quad Bus LVDS Driver with Flow-Through Pinout

## Pin Configurations



## Functional Diagram

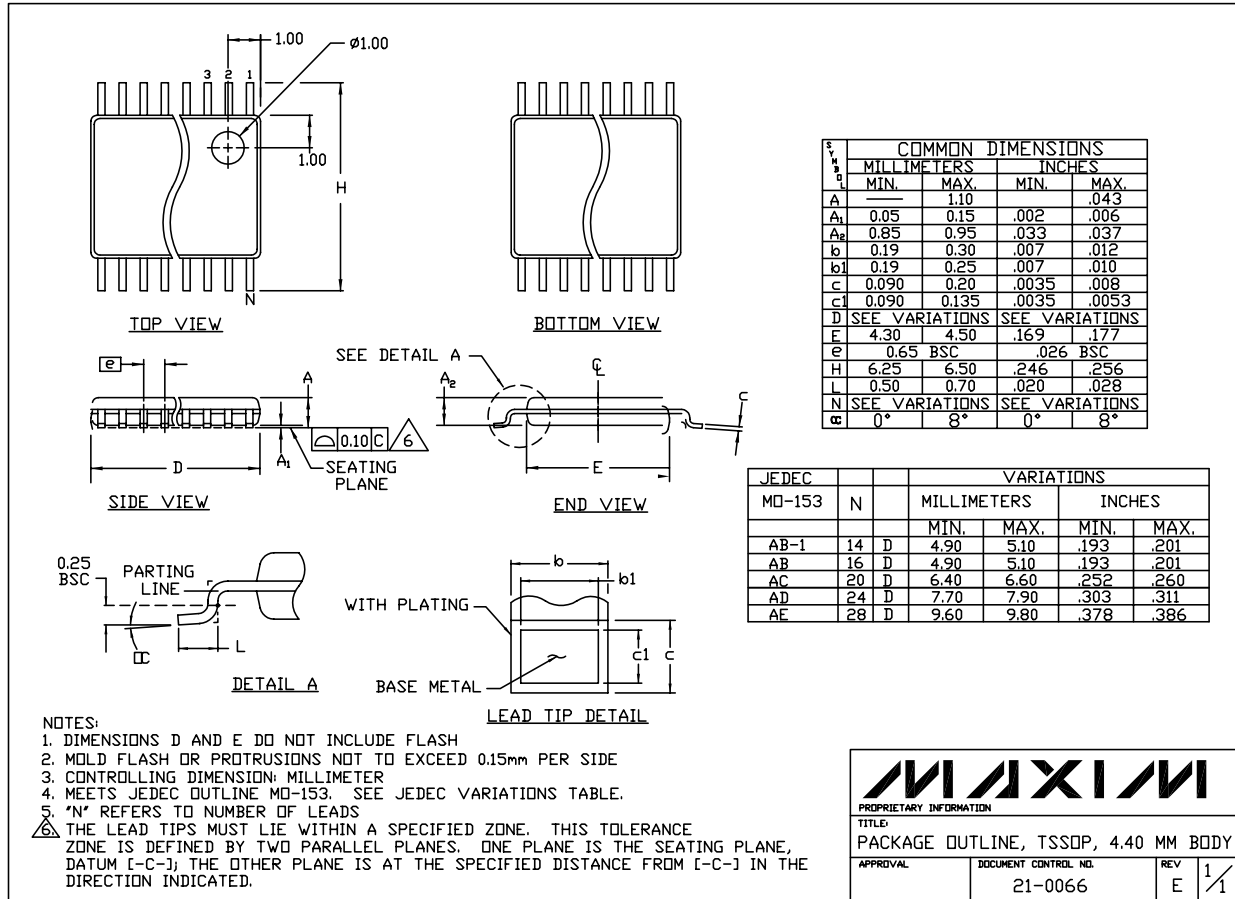


# Quad Bus LVDS Driver with Flow-Through Pinout

## Package Information

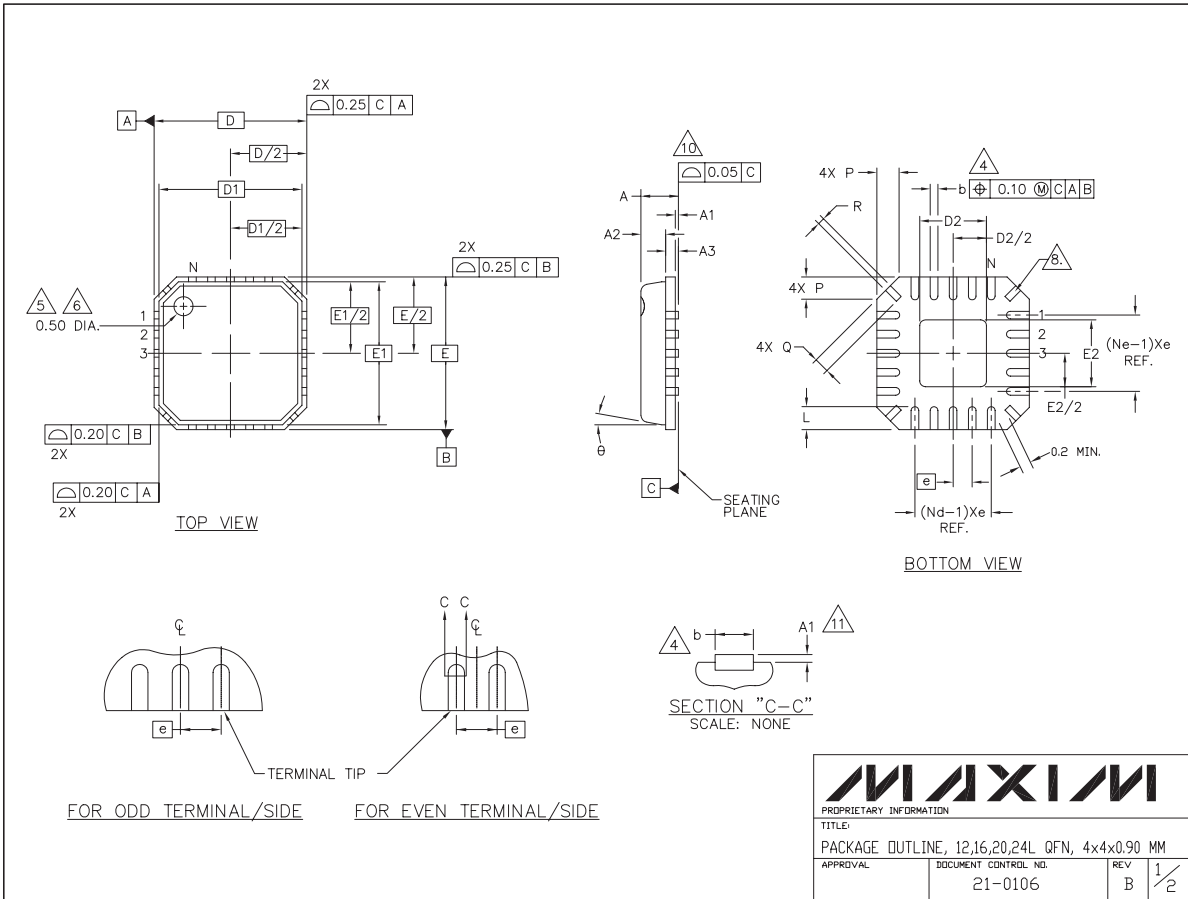
MAX9129

TSSOP, NO PADS, EPS



# Quad Bus LVDS Driver with Flow-Through Pinout

## Package Information (continued)



# Quad Bus LVDS Driver with Flow-Through Pinout

## Package Information (continued)

MAX9129

### NOTES:

1. DIE THICKNESS ALLOWABLE IS 0.305mm MAXIMUM (.012 INCHES MAXIMUM)
2. DIMENSIONING & TOLERANCES CONFORM MUST TO ASME Y14.5M. - 1994.
3. N IS THE NUMBER OF TERMINALS.  
Nd IS THE NUMBER OF TERMINALS IN X-DIRECTION &  
Ne IS THE NUMBER OF TERMINALS IN Y-DIRECTION.
4. DIMENSION b APPLIES TO PLATED TERMINAL AND IS MEASURED BETWEEN 0.20 AND 0.25mm FROM TERMINAL TIP.
5. THE PIN #1 IDENTIFIER MUST BE EXISTED ON THE TOP SURFACE OF THE PACKAGE BY USING INDENTATION MARK OR OTHER FEATURE OF PACKAGE BODY.
6. EXACT SHAPE AND SIZE OF THIS FEATURE IS OPTIONAL.
7. ALL DIMENSIONS ARE IN MILLIMETERS.
8. THE SHAPE SHOWN ON FOUR CORNERS ARE NOT ACTUAL 1/0.
9. PACKAGE WARPAGE MAX 0.05mm.
10. APPLIED FOR EXPOSED PAD AND TERMINALS.  
EXCLUDE EMBEDDING PART OF EXPOSED PAD FROM MEASURING.
11. APPLIED ONLY FOR TERMINALS.
12. MEETS JEDEC MO220.

SYMBOL	COMMON DIMENSIONS			No. of Terminals
	MIN.	NOM.	MAX.	
A	-	0.85	1.00	
A1	0.00	0.01	0.05	11
A2	-	0.65	0.80	
A3	-	0.20 REF.		
D	-	4.00 BSC		
D1	-	3.75 BSC		
E	-	4.00 BSC		
E1	-	3.75 BSC		
θ	-	-	12°	
P	0.24	0.42	0.60	
R	0.13	0.17	0.23	

SYMBOL	PITCH VARIATION A			No. of Terminals	SYMBOL	PITCH VARIATION B			No. of Terminals	SYMBOL	PITCH VARIATION C			No. of Terminals	SYMBOL	PITCH VARIATION D			No. of Terminals
	MIN.	NOM.	MAX.			MIN.	NOM.	MAX.			MIN.	NOM.	MAX.			MIN.	NOM.	MAX.	
Ⓞ	0.80 BSC				Ⓞ	0.65 BSC				Ⓞ	0.50 BSC				Ⓞ	0.50 BSC			
N	12			3	N	16			3	N	20			3	N	24			3
Nd	3			3	Nd	4			3	Nd	5			3	Nd	6			3
Ne	3			3	Ne	4			3	Ne	5			3	Ne	6			3
L	0.50	0.60	0.75		L	0.50	0.60	0.75		L	0.50	0.60	0.75		L	0.30	0.40	0.55	
b	0.28	0.33	0.40	4	b	0.23	0.28	0.35	4	b	0.18	0.23	0.30	4	b	0.18	0.23	0.30	4
Q	0.30	0.40	0.65		Q	0.30	0.40	0.65		Q	0.30	0.40	0.65		Q	0.00	0.20	0.45	
D2	SEE EXPOSED PAD VARIATION: A, B				D2	SEE EXPOSED PAD VARIATION: A, B				D2	SEE EXPOSED PAD VARIATION: A, B				D2	SEE EXPOSED PAD VARIATION: A			
E2	SEE EXPOSED PAD VARIATION: A, B				E2	SEE EXPOSED PAD VARIATION: A, B				E2	SEE EXPOSED PAD VARIATION: A, B				E2	SEE EXPOSED PAD VARIATION: A			

SYMBOLS	D2			E2			NOTE	
	MIN	NOM	MAX	MIN	NOM	MAX		
EXPOSED PAD VARIATIONS	A	1.95	2.10	2.25	1.95	2.10	2.25	
	B	1.55	1.70	1.85	1.55	1.70	1.85	

EXAMPLE: WE CAN CALL VARIATION "BB" FOR 16 TERMINAL QFN WITH 1.70x1.70 mm NOMINAL EXPOSED PAD DIMENSION. THE FORMER ONE IN VARIATION IS FOR PITCH VARIATION AND THE LATTER ONE IS FOR EXPOSED PAD VARIATION.

<b>MAXIM</b>		
PROPRIETARY INFORMATION		
TITLE:		
PACKAGE OUTLINE, 12,16,20,24L QFN, 4x4x0.90 MM		
APPROVAL	DOCUMENT CONTROL NO.	REV
	21-0106	B 2/2

Maxim cannot assume responsibility for use of any circuitry other than circuitry entirely embodied in a Maxim product. No circuit patent licenses are implied. Maxim reserves the right to change the circuitry and specifications without notice at any time.

Maxim Integrated Products, 120 San Gabriel Drive, Sunnyvale, CA 94086 408-737-7600 \_\_\_\_\_ 13

# Mouser Electronics

Authorized Distributor

Click to View Pricing, Inventory, Delivery & Lifecycle Information:

[Maxim Integrated:](#)

[MAX9129EUE+](#) [MAX9129EUE+T](#)