



**MICROCHIP**

---

**PIC12(L)F1501  
Data Sheet**

**8-Pin Flash, 8-Bit Microcontrollers**

\*8-bit, 8-pin devices protected by Microchip's Low Pin Count Patent: U.S. Patent No. 5,847,450. Additional U.S. and foreign patents and applications may be issued or pending.

---

**Note the following details of the code protection feature on Microchip devices:**

- Microchip products meet the specification contained in their particular Microchip Data Sheet.
- Microchip believes that its family of products is one of the most secure families of its kind on the market today, when used in the intended manner and under normal conditions.
- There are dishonest and possibly illegal methods used to breach the code protection feature. All of these methods, to our knowledge, require using the Microchip products in a manner outside the operating specifications contained in Microchip's Data Sheets. Most likely, the person doing so is engaged in theft of intellectual property.
- Microchip is willing to work with the customer who is concerned about the integrity of their code.
- Neither Microchip nor any other semiconductor manufacturer can guarantee the security of their code. Code protection does not mean that we are guaranteeing the product as "unbreakable."

Code protection is constantly evolving. We at Microchip are committed to continuously improving the code protection features of our products. Attempts to break Microchip's code protection feature may be a violation of the Digital Millennium Copyright Act. If such acts allow unauthorized access to your software or other copyrighted work, you may have a right to sue for relief under that Act.

---

Information contained in this publication regarding device applications and the like is provided only for your convenience and may be superseded by updates. It is your responsibility to ensure that your application meets with your specifications. MICROCHIP MAKES NO REPRESENTATIONS OR WARRANTIES OF ANY KIND WHETHER EXPRESS OR IMPLIED, WRITTEN OR ORAL, STATUTORY OR OTHERWISE, RELATED TO THE INFORMATION, INCLUDING BUT NOT LIMITED TO ITS CONDITION, QUALITY, PERFORMANCE, MERCHANTABILITY OR FITNESS FOR PURPOSE. Microchip disclaims all liability arising from this information and its use. Use of Microchip devices in life support and/or safety applications is entirely at the buyer's risk, and the buyer agrees to defend, indemnify and hold harmless Microchip from any and all damages, claims, suits, or expenses resulting from such use. No licenses are conveyed, implicitly or otherwise, under any Microchip intellectual property rights.

**Trademarks**

The Microchip name and logo, the Microchip logo, dsPIC, KEELOQ, KEELOQ logo, MPLAB, PIC, PICmicro, PICSTART, PIC<sup>32</sup> logo, rPIC and UNI/O are registered trademarks of Microchip Technology Incorporated in the U.S.A. and other countries.


FilterLab, Hampshire, HI-TECH C, Linear Active Thermistor, MXDEV, MXLAB, SEEVAL and The Embedded Control Solutions Company are registered trademarks of Microchip Technology Incorporated in the U.S.A.

Analog-for-the-Digital Age, Application Maestro, chipKIT, chipKIT logo, CodeGuard, dsPICDEM, dsPICDEM.net, dsPICworks, dsSPEAK, ECAN, ECONOMONITOR, FanSense, HI-TIDE, In-Circuit Serial Programming, ICSP, Mindi, MiWi, MPASM, MPLAB Certified logo, MPLIB, MPLINK, mTouch, Omniscient Code Generation, PICC, PICC-18, PICDEM, PICDEM.net, PICkit, PICtail, REAL ICE, rLAB, Select Mode, Total Endurance, TSHARC, UniWinDriver, WiperLock and ZENA are trademarks of Microchip Technology Incorporated in the U.S.A. and other countries.

SQTP is a service mark of Microchip Technology Incorporated in the U.S.A.

All other trademarks mentioned herein are property of their respective companies.

© 2011, Microchip Technology Incorporated, Printed in the U.S.A., All Rights Reserved.

 Printed on recycled paper.

ISBN: 978-1-61341-765-2

*Microchip received ISO/TS-16949:2009 certification for its worldwide headquarters, design and wafer fabrication facilities in Chandler and Tempe, Arizona; Gresham, Oregon and design centers in California and India. The Company's quality system processes and procedures are for its PIC<sup>®</sup> MCUs and dsPIC<sup>®</sup> DSCs, KEELOQ<sup>®</sup> code hopping devices, Serial EEPROMs, microperipherals, nonvolatile memory and analog products. In addition, Microchip's quality system for the design and manufacture of development systems is ISO 9001:2000 certified.*

**QUALITY MANAGEMENT SYSTEM**  
**CERTIFIED BY DNV**  
**== ISO/TS 16949:2009 ==**

---

## 8-Pin Flash, 8-Bit Microcontrollers

---

### High-Performance RISC CPU:

- C Compiler Optimized Architecture
- Only 49 Instructions
- 1K Words Linear Program Memory Addressing
- 64 bytes Linear Data Memory Addressing
- Operating Speed:
  - DC – 20 MHz clock input
  - DC – 200 ns instruction cycle
- Interrupt Capability with Automatic Context Saving
- 16-Level Deep Hardware Stack with Optional Overflow/Underflow Reset
- Direct, Indirect and Relative Addressing modes:
  - Two full 16-bit File Select Registers (FSRs)
  - FSRs can read program and data memory

### Flexible Oscillator Structure:

- 16 MHz Internal Oscillator Block:
  - Factory calibrated to  $\pm 1\%$ , typical
  - Software selectable frequency range from 16 MHz to 31 kHz
- 31 kHz Low-Power Internal Oscillator
- Three External Clock modes up to 20 MHz

### Special Microcontroller Features:

- Operating Voltage Range:
  - 1.8V to 3.6V (PIC12LF1501)
  - 2.3V to 5.5V (PIC12F1501)
- Self-Programmable under Software Control
- Power-on Reset (POR)
- Power-up Timer (PWRT)
- Programmable Low-Power Brown-Out Reset (LPBOR)
- Extended Watchdog Timer (WDT):
  - Programmable period from 1 ms to 256s
- Programmable Code Protection
- In-Circuit Serial Programming™ (ICSP™) via Two Pins
- Enhanced Low-Voltage Programming (LVP)
- Power-Saving Sleep mode:
  - Low-Power Sleep mode
  - Low-Power BOR (LPBOR)
- Integrated Temperature Indicator
- 128 Bytes High-Endurance Flash:
  - 100,000 write Flash endurance (minimum)

### Low-Power Features (PIC12LF1501):

- Standby Current:
  - 20 nA @ 1.8V, typical
- Watchdog Timer Current:
  - 200 nA @ 1.8V, typical
- Operating Current:
  - 30  $\mu$ A/MHz @ 1.8V, typical

### Peripheral Features:

- Analog-to-Digital Converter (ADC):
  - 10-bit resolution
  - 4 external channels
  - 2 internal channels:
    - Fixed Voltage Reference and DAC channels
    - Temperature Indicator channel
  - Auto acquisition capability
  - Conversion available during Sleep
- 1 Comparator:
  - Rail-to-rail inputs
  - Power mode control
  - Software controllable hysteresis
- Voltage Reference module:
  - Fixed Voltage Reference (FVR) with 1.024V, 2.048V and 4.096V output levels
  - 1 rail-to-rail resistive 5-bit DAC with positive reference selection
- 6 I/O Pins (1 Input-only Pin):
  - High current sink/source 25 mA/25 mA
  - Individually programmable weak pull-ups
  - Individually programmable interrupt-on-change (IOC) pins
- Timer0: 8-Bit Timer/Counter with 8-Bit Programmable Prescaler
- Enhanced Timer1:
  - 16-bit timer/counter with prescaler
  - External Gate Input mode
- Timer2: 8-Bit Timer/Counter with 8-Bit Period Register, Prescaler and Postscaler
- Four 10-bit PWM modules
- 2 Configurable Logic Cell (CLC) modules:
  - 16 selectable input source signals
  - Four inputs per module
  - Software control of combinational/sequential logic/state/clock functions
  - AND/OR/XOR/D Flop/D Latch/SR/JK
  - External or internal inputs/outputs
  - Operation while in Sleep

# PIC12(L)F1501

## Peripheral Features (Continued):

- Numerically Controlled Oscillator (NCO):
  - 20-bit accumulator
  - 16-bit increment
  - True linear frequency control
  - High-speed clock input
  - Selectable Output modes:
    - Fixed Duty Cycle (FDC) mode
    - Pulse Frequency (PF) mode
- Complementary Waveform Generator (CWG):
  - 8 selectable signal sources
  - Selectable falling and rising edge dead-band control
  - Polarity control
  - 4 auto-shutdown sources
  - Multiple input sources: PWM, CLC, NCO

## PIC12(L)F1501/PIC16(L)F150X Family Types

| Device        | Data Sheet Index | Program Memory Flash (words) | Data SRAM (bytes) | I/O's <sup>(2)</sup> | 10-bit ADC (ch) | Comparators | DAC | Timers (8/16-bit) | PWM | EUSART | MSSP (I <sup>2</sup> C/SPI) | CWG | CLC | NCO | Debug <sup>(1)</sup> | XLP |
|---------------|------------------|------------------------------|-------------------|----------------------|-----------------|-------------|-----|-------------------|-----|--------|-----------------------------|-----|-----|-----|----------------------|-----|
| PIC12(L)F1501 | (1)              | 1024                         | 64                | 6                    | 4               | 1           | 1   | 2/1               | 4   | —      | —                           | 1   | 2   | 1   | H                    | —   |
| PIC16(L)F1503 | (2)              | 2048                         | 128               | 12                   | 8               | 2           | 1   | 2/1               | 4   | —      | 1                           | 1   | 2   | 1   | H                    | —   |
| PIC16(L)F1507 | (3)              | 2048                         | 128               | 18                   | 12              | —           | —   | 2/1               | 4   | —      | —                           | 1   | 2   | 1   | H                    | —   |
| PIC16(L)F1508 | (4)              | 4096                         | 256               | 18                   | 12              | 2           | 1   | 2/1               | 4   | 1      | 1                           | 1   | 4   | 1   | I/H                  | Y   |
| PIC16(L)F1509 | (4)              | 8192                         | 512               | 18                   | 12              | 2           | 1   | 2/1               | 4   | 1      | 1                           | 1   | 4   | 1   | I/H                  | Y   |

**Note 1:** I - Debugging, Integrated on Chip; H - Debugging, Requires Debug Header.

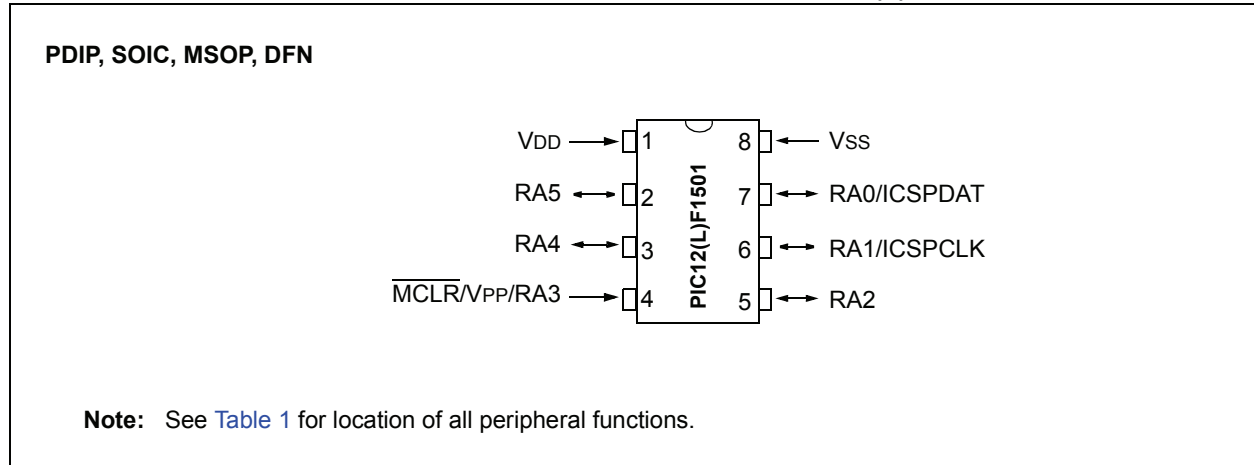
**2:** One pin is input-only.

**Data Sheet Index:** (Unshaded devices are described in this document.)

- 1:** Future Product [PIC12\(L\)F1501 Data Sheet, 8-Pin Flash, 8-bit Microcontrollers.](#)
- 2:** DS41607 [PIC16\(L\)F1503 Data Sheet, 14-Pin Flash, 8-bit Microcontrollers.](#)
- 3:** DS41586 [PIC16\(L\)F1507 Data Sheet, 20-Pin Flash, 8-bit Microcontrollers.](#)
- 4:** DS41609 [PIC16\(L\)F1508/1509 Data Sheet, 20-Pin Flash, 8-bit Microcontrollers.](#)

# PIC12(L)F1501

**FIGURE 1: 8-PIN PDIP, SOIC, MSOP, DFN DIAGRAM FOR PIC12(L)F1501**



**TABLE 1: 8-PIN ALLOCATION TABLE (PIC12(L)F1501)**

| I/O | 8-Pin PDIP/SOIC/MSOP/DFN | ADC | Reference | Comparator | Timer              | CWG                             | NCO                            | CLC                 | PWM  | Interrupt  | Pull-Up | Basic       |
|-----|--------------------------|-----|-----------|------------|--------------------|---------------------------------|--------------------------------|---------------------|------|------------|---------|-------------|
| RA0 | 7                        | AN0 | DACOUT1   | C1IN+      | —                  | CWG1B <sup>(1)</sup>            | —                              | CLC2IN1             | PWM2 | IOC        | Y       | ICSPDAT     |
| RA1 | 6                        | AN1 | VREF+     | C1IN0-     | —                  | —                               | NCO1 <sup>(1)</sup>            | CLC2IN0             | —    | IOC        | Y       | ICSPCLK     |
| RA2 | 5                        | AN2 | DACOUT2   | C1OUT      | T0CKI              | CWG1A <sup>(1)</sup><br>CWG1FLT | —                              | CLC1 <sup>(1)</sup> | PWM1 | INT<br>IOC | Y       | —           |
| RA3 | 4                        | —   | —         | —          | T1G <sup>(2)</sup> | —                               | —                              | CLC1IN0             | —    | IOC        | Y       | MCLR<br>VPP |
| RA4 | 3                        | AN3 | —         | C1IN1-     | T1G <sup>(1)</sup> | CWG1B <sup>(2)</sup>            | —                              | CLC1 <sup>(2)</sup> | PWM3 | IOC        | Y       | CLKOUT      |
| RA5 | 2                        | —   | —         | —          | T1CKI              | CWG1A <sup>(2)</sup>            | NCO1 <sup>(2)</sup><br>NCO1CLK | CLC1IN1<br>CLC2     | PWM4 | IOC        | Y       | CLKIN       |
| VDD | 1                        | —   | —         | —          | —                  | —                               | —                              | —                   | —    | —          | —       | VDD         |
| VSS | 8                        | —   | —         | —          | —                  | —                               | —                              | —                   | —    | —          | —       | VSS         |

**Note 1:** Default location for peripheral pin function. Alternate location can be selected using the APFCON register.

**Note 2:** Alternate location for peripheral pin function selected by the APFCON register.

# PIC12(L)F1501

---

## Table of Contents

|   |  |     |
|---|--|-----|
| 1.0   | Device Overview .....                                | 9   |
| 2.0   | Enhanced Mid-Range CPU .....                         | 13  |
| 3.0   | Memory Organization .....                            | 15  |
| 4.0   | Device Configuration .....                           | 39  |
| 5.0   | Oscillator Module .....                              | 45  |
| 6.0   | Resets .....   | 53  |
| 7.0   | Interrupts .....                                     | 61  |
| 8.0   | Power-Down Mode (Sleep) .....                        | 75  |
| 9.0   | Watchdog Timer .....                                 | 79  |
| 10.0  | Flash Program Memory Control .....                   | 83  |
| 11.0  | I/O Ports .....                                      | 99  |
| 12.0  | Interrupt-On-Change .....                            | 105 |
| 13.0  | Fixed Voltage Reference (FVR) .....                  | 109 |
| 14.0  | Temperature Indicator Module .....                   | 111 |
| 15.0  | Analog-to-Digital Converter (ADC) Module .....       | 113 |
| 16.0  | Digital-to-Analog Converter (DAC) Module .....       | 127 |
| 17.0  | Comparator Module .....                              | 131 |
| 18.0  | Timer0 Module .....                                  | 141 |
| 19.0  | Timer1 Module with Gate Control .....                | 145 |
| 20.0  | Timer2 Module .....                                  | 157 |
| 21.0  | Pulse-Width Modulation (PWM) Module .....            | 161 |
| 22.0  | Configurable Logic Cell (CLC) .....                  | 167 |
| 23.0  | Numerically Controlled Oscillator (NCO) Module ..... | 183 |
| 24.0  | Complementary Waveform Generator (CWG) Module .....  | 193 |
| 25.0  | In-Circuit Serial Programming™ (ICSP™) .....         | 209 |
| 26.0  | Instruction Set Summary .....                        | 211 |
| 27.0  | Electrical Specifications .....                      | 225 |
| 28.0  | DC and AC Characteristics Graphs and Charts .....    | 247 |
| 29.0  | Development Support .....                            | 249 |
| 30.0  | Packaging Information .....                          | 253 |
| Appendix A: Data Sheet Revision History ..... |  | 267 |
| Index .....                                   |  | 269 |
| The Microchip Web Site .....                  |  | 275 |
| Customer Change Notification Service .....    |  | 275 |
| Customer Support .....                        |  | 275 |
| Reader Response .....                         |  | 276 |
| Product Identification System .....           |  | 277 |

## TO OUR VALUED CUSTOMERS

It is our intention to provide our valued customers with the best documentation possible to ensure successful use of your Microchip products. To this end, we will continue to improve our publications to better suit your needs. Our publications will be refined and enhanced as new volumes and updates are introduced.

If you have any questions or comments regarding this publication, please contact the Marketing Communications Department via E-mail at [docerrors@microchip.com](mailto:docerrors@microchip.com) or fax the **Reader Response Form** in the back of this data sheet to (480) 792-4150. We welcome your feedback.

### Most Current Data Sheet

To obtain the most up-to-date version of this data sheet, please register at our Worldwide Web site at:

<http://www.microchip.com>

You can determine the version of a data sheet by examining its literature number found on the bottom outside corner of any page. The last character of the literature number is the version number, (e.g., DS30000A is version A of document DS30000).

### Errata

An errata sheet, describing minor operational differences from the data sheet and recommended workarounds, may exist for current devices. As device/documentation issues become known to us, we will publish an errata sheet. The errata will specify the revision of silicon and revision of document to which it applies.

To determine if an errata sheet exists for a particular device, please check with one of the following:

- Microchip's Worldwide Web site; <http://www.microchip.com>
- Your local Microchip sales office (see last page)

When contacting a sales office, please specify which device, revision of silicon and data sheet (include literature number) you are using.

### Customer Notification System

Register on our web site at [www.microchip.com](http://www.microchip.com) to receive the most current information on all of our products.

# PIC12(L)F1501

---

NOTES:



## 1.0 DEVICE OVERVIEW

The PIC12(L)F1501 are described within this data sheet. They are available in 14-pin packages. [Figure 1-1](#) shows a block diagram of the PIC12(L)F1501 devices. [Table 1-2](#) shows the pinout descriptions.

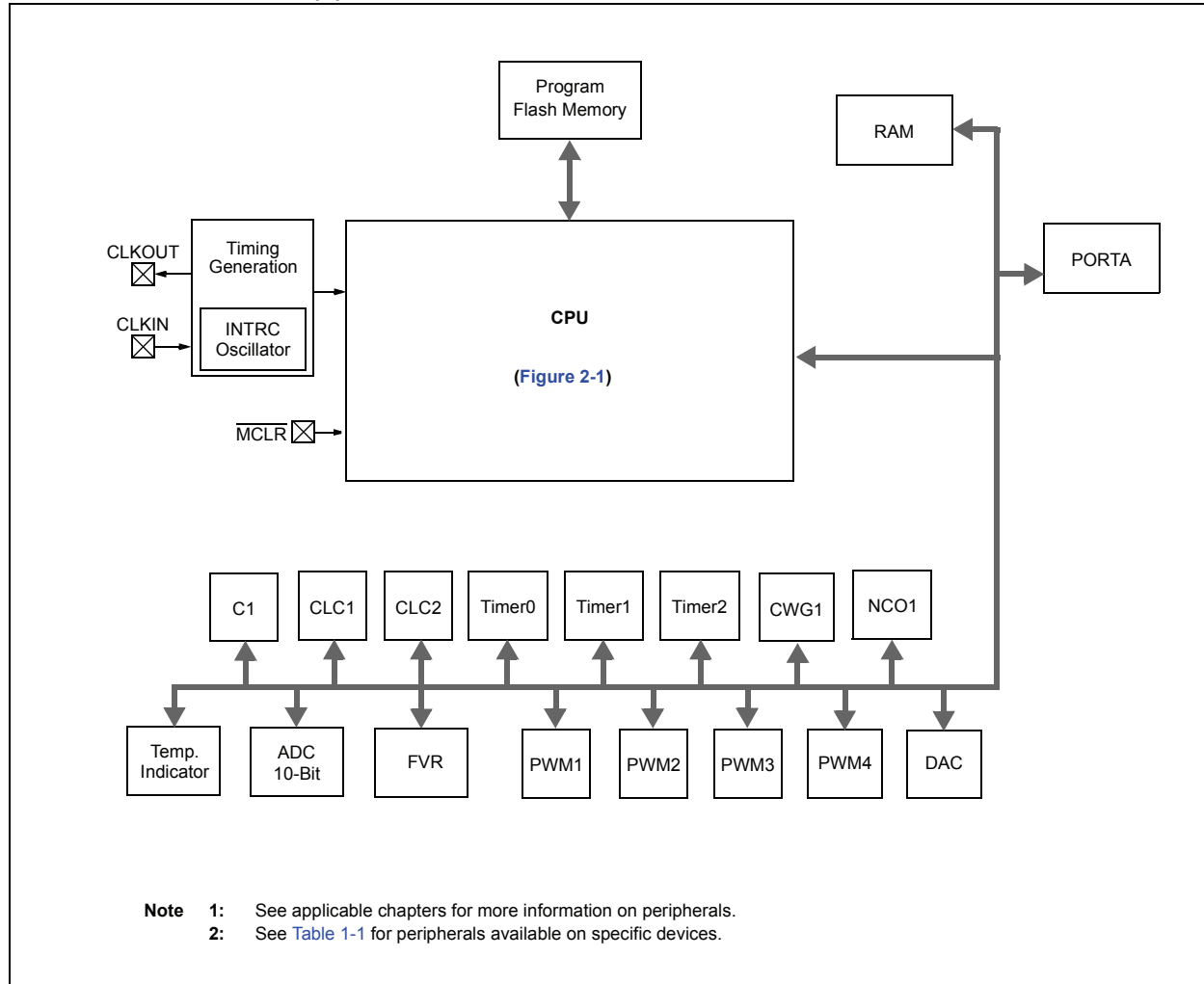
Reference [Table 1-1](#) for peripherals available per device.

**TABLE 1-1: DEVICE PERIPHERAL SUMMARY**

| Peripheral                              |        | PIC12F1501 | PIC12LF1501 |
|---|--------|------------|-------------|
| Analog-to-Digital Converter (ADC)       |        | •          | •           |
| Complementary Wave Generator (CWG)      |        | •          | •           |
| Digital-to-Analog Converter (DAC)       |        | •          | •           |
| Fixed Voltage Reference (FVR)           |        | •          | •           |
| Numerically Controlled Oscillator (NCO) |        | •          | •           |
| Temperature Indicator                   |        | •          | •           |
| Comparators                             |        |            |             |
|   | C1     | •          | •           |
| Configurable Logic Cell (CLC)           |        |            |             |
|   | CLC1   | •          | •           |
|   | CLC2   | •          | •           |
| PWM Modules                             |        |            |             |
|   | PWM1   | •          | •           |
|   | PWM2   | •          | •           |
|   | PWM3   | •          | •           |
|   | PWM4   | •          | •           |
| Timers                                  |        |            |             |
|   | Timer0 | •          | •           |
|   | Timer1 | •          | •           |
|   | Timer2 | •          | •           |

# PIC12(L)F1501

FIGURE 1-1: PIC12(L)F1501 BLOCK DIAGRAM



**TABLE 1-2: PIC12(L)F1501 PINOUT DESCRIPTION**

| Name  | Function | Input Type | Output Type                                   | Description                               |
|---|----------|------------|---|---|
| RA0/AN0/C1IN+/DACOUT1/<br>CWG1B <sup>(1)</sup> /CLC2IN1/PWM2/<br>ICSPDAT                        | RA0      | TTL        | CMOS  | General purpose I/O.                      |
|   | AN0      | AN         | —   | A/D Channel input.                        |
|   | C1IN+    | AN         | —   | Comparator positive input.                |
|   | DACOUT1  | —          | AN  | Digital-to-Analog Converter output.       |
|   | CWG1B    | —          | CMOS  | CWG complementary output.                 |
|   | CLC2IN1  | ST         | —   | Configurable Logic Cell source input.     |
|   | PWM2     | —          | CMOS  | Pulse Width Module source output.         |
| ICSPDAT   | ST       | CMOS       | ICSP™ Data I/O.                               |   |
| RA1/AN1/VREF+/C1IN0-/<br>NCO1 <sup>(1)</sup> /CLC2IN0/ICSPCLK                                   | RA1      | TTL        | CMOS  | General purpose I/O.                      |
|   | AN1      | AN         | —   | A/D Channel input.                        |
|   | VREF+    | AN         | —   | A/D Positive Voltage Reference input.     |
|   | C1IN0-   | AN         | —   | Comparator negative input.                |
|   | NCO1     | —          | CMOS  | Numerically Controlled Oscillator output. |
|   | CLC2IN0  | ST         | —   | Configurable Logic Cell source input.     |
|   | ICSPCLK  | ST         | —   | ICSP™ Programming Clock.                  |
| RA2/AN2/C1OUT/DACOUT2/<br>T0CKI/INT/PWM1/CLC1 <sup>(1)</sup> /<br>CWG1A <sup>(1)</sup> /CWG1FLT | RA2      | ST         | CMOS  | General purpose I/O.                      |
|   | AN2      | AN         | —   | A/D Channel input.                        |
|   | C1OUT    | —          | CMOS  | Comparator output.                        |
|   | DACOUT2  | —          | AN  | Digital-to-Analog Converter output.       |
|   | T0CKI    | ST         | —   | Timer0 clock input.                       |
|   | INT      | ST         | —   | External interrupt.                       |
|   | PWM1     | —          | CMOS  | Pulse Width Module source output.         |
|   | CLC1     | —          | CMOS  | Configurable Logic Cell source output.    |
|   | CWG1A    | —          | CMOS  | CWG complementary output.                 |
| CWG1FLT   | ST       | —          | Complementary Waveform Generator Fault input. |   |
| RA3/CLC1IN0/VPP/T1G <sup>(2)</sup> /MCLR  | RA3      | TTL        | —   | General purpose input.                    |
|   | CLC1IN0  | ST         | —   | Configurable Logic Cell source input.     |
|   | VPP      | HV         | —   | Programming voltage.                      |
|   | T1G      | ST         | —   | Timer1 Gate input.                        |
|   | MCLR     | ST         | —   | Master Clear with internal pull-up.       |
| RA4/AN3/C1IN1-/CWG1B <sup>(2)</sup> /<br>CLC1 <sup>(2)</sup> /PWM3/CLKOUT/T1G <sup>(1)</sup>    | RA4      | TTL        | CMOS  | General purpose I/O.                      |
|   | AN3      | AN         | —   | A/D Channel input.                        |
|   | C1IN1-   | AN         | —   | Comparator negative input.                |
|   | CWG1B    | —          | CMOS  | CWG complementary output.                 |
|   | CLC1     | —          | CMOS  | Configurable Logic Cell source output.    |
|   | PWM3     | —          | CMOS  | Pulse Width Module source output.         |
|   | CLKOUT   | —          | CMOS  | Fosc/4 output.                            |
| T1G   | ST       | —          | Timer1 Gate input.                            |   |

**Legend:** AN = Analog input or output    CMOS = CMOS compatible input or output    OD = Open Drain  
TTL = TTL compatible input    ST = Schmitt Trigger input with CMOS levels    I<sup>2</sup>C™ = Schmitt Trigger input with I<sup>2</sup>C levels  
HV = High Voltage    XTAL = Crystal

**Note 1:** Default location for peripheral pin function. Alternate location can be selected using the APFCON register.

**2:** Alternate location for peripheral pin function selected by the APFCON register.

# PIC12(L)F1501

**TABLE 1-2: PIC12(L)F1501 PINOUT DESCRIPTION (CONTINUED)**

| Name   | Function | Input Type | Output Type                       | Description   |
|--|----------|------------|-----------------------------------|---|
| RA5/CLKIN/T1CKI/CWG1A <sup>(2)</sup> /<br>NCO1 <sup>(2)</sup> /NCO1CLK/CLC1IN1/<br>CLC2/PWM4 | RA5      | TTL        | CMOS                              | General purpose I/O.                                  |
|  | CLKIN    | CMOS       | —                                 | External clock input (EC mode).                       |
|  | T1CKI    | ST         | —                                 | Timer1 clock input.                                   |
|  | CWG1A    | —          | CMOS                              | CWG complementary output.                             |
|  | NCO1     | ST         | —                                 | Numerically Controlled Oscillator output.             |
|  | NCO1CLK  | ST         | —                                 | Numerically Controlled Oscillator Clock source input. |
|  | CLC1IN1  | ST         | —                                 | Configurable Logic Cell source input.                 |
|  | CLC2     | —          | CMOS                              | Configurable Logic Cell source output.                |
| PWM4   | —        | CMOS       | Pulse Width Module source output. |   |
| VDD  | VDD      | Power      | —                                 | Positive supply.                                      |
| VSS  | VSS      | Power      | —                                 | Ground reference.                                     |

**Legend:** AN = Analog input or output    CMOS = CMOS compatible input or output    OD = Open Drain  
 TTL = TTL compatible input    ST = Schmitt Trigger input with CMOS levels    I<sup>2</sup>C™ = Schmitt Trigger input with I<sup>2</sup>C levels  
 HV = High Voltage    XTAL = Crystal

**Note 1:** Default location for peripheral pin function. Alternate location can be selected using the APFCON register.  
**2:** Alternate location for peripheral pin function selected by the APFCON register.

## 2.0 ENHANCED MID-RANGE CPU

This family of devices contain an enhanced mid-range 8-bit CPU core. The CPU has 49 instructions. Interrupt capability includes automatic context saving. The hardware stack is 16 levels deep and has Overflow and Underflow Reset capability. Direct, Indirect, and Relative addressing modes are available. Two File Select Registers (FSRs) provide the ability to read program and data memory.

- Automatic Interrupt Context Saving
- 16-level Stack with Overflow and Underflow
- File Select Registers
- Instruction Set

### 2.1 Automatic Interrupt Context Saving

During interrupts, certain registers are automatically saved in shadow registers and restored when returning from the interrupt. This saves stack space and user code. See [Section 7.5 “Automatic Context Saving”](#), for more information.

### 2.2 16-level Stack with Overflow and Underflow

These devices have an external stack memory 15 bits wide and 16 words deep. A Stack Overflow or Underflow will set the appropriate bit (STKOVF or STKUNF) in the PCON register and, if enabled, will cause a software Reset. See section [Section 3.4 “Stack”](#) for more details.

### 2.3 File Select Registers

There are two 16-bit File Select Registers (FSR). FSRs can access all file registers and program memory, which allows one Data Pointer for all memory. When an FSR points to program memory, there is one additional instruction cycle in instructions using INDF to allow the data to be fetched. General purpose memory can now also be addressed linearly, providing the ability to access contiguous data larger than 80 bytes. There are also new instructions to support the FSRs. See [Section 3.5 “Indirect Addressing”](#) for more details.

### 2.4 Instruction Set

There are 49 instructions for the enhanced mid-range CPU to support the features of the CPU. See [Section 26.0 “Instruction Set Summary”](#) for more details.

# PIC12(L)F1501

FIGURE 2-1: CORE BLOCK DIAGRAM



## 3.0 MEMORY ORGANIZATION

These devices contain the following types of memory:

- Program Memory
  - Configuration Words
  - Device ID
  - User ID
  - Flash Program Memory
- Data Memory
  - Core Registers
  - Special Function Registers
  - General Purpose RAM
  - Common RAM

The following features are associated with access and control of program memory and data memory:

- PCL and PCLATH
- Stack
- Indirect Addressing

### 3.1 Program Memory Organization

The enhanced mid-range core has a 15-bit program counter capable of addressing 32K x 14 program memory space. [Table 3-1](#) shows the memory sizes implemented. Accessing a location above these boundaries will cause a wrap-around within the implemented memory space. The Reset vector is at 0000h and the interrupt vector is at 0004h (see [Figure 3-1](#)).

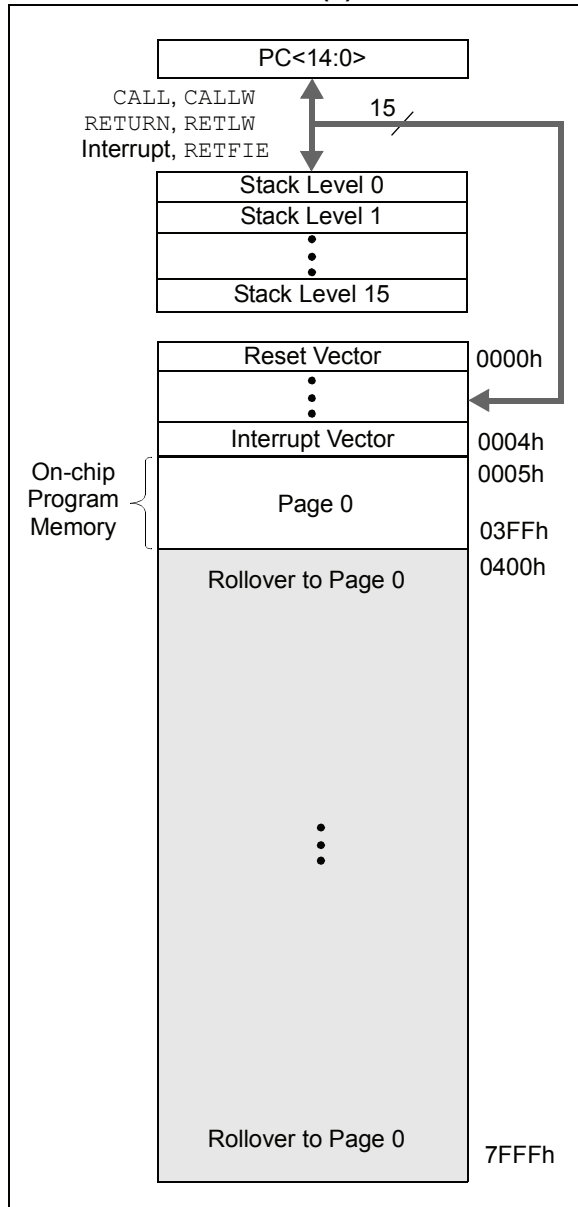
**TABLE 3-1: DEVICE SIZES AND ADDRESSES**

| Device                    | Program Memory Size (Words) | Last Program Memory Address | High-Endurance Flash Memory Address Range <sup>(1)</sup> |
|---------------------------|-----------------------------|-----------------------------|--|
| PIC12F1501<br>PIC12LF1501 | 1,024                       | 03FFh                       | 0380h-03FFh  |

**Note 1:** High-Endurance Flash applies to the low byte of each address in the range.

# PIC12(L)F1501

**FIGURE 3-1: PROGRAM MEMORY MAP AND STACK FOR PIC12(L)F1501**



## 3.1.1 READING PROGRAM MEMORY AS DATA

There are two methods of accessing constants in program memory. The first method is to use tables of RETLW instructions. The second method is to set an FSR to point to the program memory.

### 3.1.1.1 RETLW Instruction

The RETLW instruction can be used to provide access to tables of constants. The recommended way to create such a table is shown in Example 3-1.

#### EXAMPLE 3-1: RETLW INSTRUCTION

```
constants
    BRW          ;Add Index in W to
                ;program counter to
                ;select data
    RETLW DATA0 ;Index0 data
    RETLW DATA1 ;Index1 data
    RETLW DATA2
    RETLW DATA3

my_function
    ;... LOTS OF CODE...
    MOVLW      DATA_INDEX
    call constants
    ;... THE CONSTANT IS IN W
```

The BRW instruction makes this type of table very simple to implement. If your code must remain portable with previous generations of microcontrollers, then the BRW instruction is not available so the older table read method must be used.



### 3.1.1.2 Indirect Read with FSR

The program memory can be accessed as data by setting bit 7 of the FSRxH register and reading the matching INDFx register. The `MOVIW` instruction will place the lower 8 bits of the addressed word in the W register. Writes to the program memory cannot be performed via the INDF registers. Instructions that access the program memory via the FSR require one extra instruction cycle to complete. [Example 3-2](#) demonstrates accessing the program memory via an FSR.

The `HIGH` directive will set bit<7> if a label points to a location in program memory.

#### EXAMPLE 3-2: ACCESSING PROGRAM MEMORY VIA FSR

```
constants
    RETLW DATA0      ;Index0 data
    RETLW DATA1      ;Index1 data
    RETLW DATA2
    RETLW DATA3
my_function
    ;... LOTS OF CODE...
    MOVLW LOW constants
    MOVWF FSR1L
    MOVLW HIGH constants
    MOVWF FSR1H
    MOVIW 0[FSR1]
;THE PROGRAM MEMORY IS IN W
```

### 3.2.1 CORE REGISTERS

The core registers contain the registers that directly affect the basic operation. The core registers occupy the first 12 addresses of every data memory bank (addresses x00h/x08h through x0Bh/x8Bh). These registers are listed below in [Table 3-2](#). For detailed information, see [Table 3-4](#).

**TABLE 3-2: CORE REGISTERS**

| Addresses    | BANKx  |
|--------------|--------|
| x00h or x80h | INDF0  |
| x01h or x81h | INDF1  |
| x02h or x82h | PCL    |
| x03h or x83h | STATUS |
| x04h or x84h | FSR0L  |
| x05h or x85h | FSR0H  |
| x06h or x86h | FSR1L  |
| x07h or x87h | FSR1H  |
| x08h or x88h | BSR    |
| x09h or x89h | WREG   |
| x0Ah or x8Ah | PCLATH |
| x0Bh or x8Bh | INTCON |

## 3.2 Data Memory Organization

The data memory is partitioned into 32 memory banks with 128 bytes in each bank. Each bank consists of ([Figure 3-2](#)):

- 12 core registers
- 20 Special Function Registers (SFR)
- Up to 80 bytes of General Purpose RAM (GPR)
- 16 bytes of common RAM

The active bank is selected by writing the bank number into the Bank Select Register (BSR). Unimplemented memory will read as '0'. All data memory can be accessed either directly (via instructions that use the file registers) or indirectly via the two File Select Registers (FSR). See [Section 3.5 "Indirect Addressing"](#) for more information.

Data memory uses a 12-bit address. The upper 7 bits of the address define the Bank address and the lower 5 bits select the registers/RAM in that bank.

# PIC12(L)F1501

## 3.2.1.1 STATUS Register

The STATUS register, shown in [Register 3-1](#), contains:

- the arithmetic status of the ALU
- the Reset status

The STATUS register can be the destination for any instruction, like any other register. If the STATUS register is the destination for an instruction that affects the Z, DC or C bits, then the write to these three bits is disabled. These bits are set or cleared according to the device logic. Furthermore, the  $\overline{\text{TO}}$  and  $\overline{\text{PD}}$  bits are not writable. Therefore, the result of an instruction with the STATUS register as destination may be different than intended.

For example, `CLRF STATUS` will clear the upper three bits and set the Z bit. This leaves the STATUS register as '000u u1uu' (where u = unchanged).

It is recommended, therefore, that only `BCF`, `BSF`, `SWAPF` and `MOVWF` instructions are used to alter the STATUS register, because these instructions do not affect any Status bits. For other instructions not affecting any Status bits (Refer to [Section 26.0 "Instruction Set Summary"](#)).

**Note 1:** The  $\overline{\text{C}}$  and  $\overline{\text{DC}}$  bits operate as Borrow and Digit Borrow out bits, respectively, in subtraction.

**REGISTER 3-1: STATUS: STATUS REGISTER**

|       |     |     |                        |                        |         |                              |                             |       |
|-------|-----|-----|------------------------|------------------------|---------|------------------------------|-----------------------------|-------|
| U-0   | U-0 | U-0 | R-1/q                  | R-1/q                  | R/W-0/u | R/W-0/u                      | R/W-0/u                     |       |
| —     | —   | —   | $\overline{\text{TO}}$ | $\overline{\text{PD}}$ | Z       | $\overline{\text{DC}}^{(1)}$ | $\overline{\text{C}}^{(1)}$ |       |
| bit 7 |     |     |                        |                        |         |                              |                             | bit 0 |

**Legend:**

|                      |                      |   |
|----------------------|----------------------|---|
| R = Readable bit     | W = Writable bit     | U = Unimplemented bit, read as '0'                    |
| u = Bit is unchanged | x = Bit is unknown   | -n/n = Value at POR and BOR/Value at all other Resets |
| '1' = Bit is set     | '0' = Bit is cleared | q = Value depends on condition                        |

- bit 7-5       **$\overline{\text{Unimplemented}}$ :** Read as '0'
- bit 4       **$\overline{\text{TO}}$ :** Time-Out bit
  - 1 = After power-up, `CLRWDT` instruction or `SLEEP` instruction
  - 0 = A WDT time-out occurred
- bit 3       **$\overline{\text{PD}}$ :** Power-Down bit
  - 1 = After power-up or by the `CLRWDT` instruction
  - 0 = By execution of the `SLEEP` instruction
- bit 2      **Z:** Zero bit
  - 1 = The result of an arithmetic or logic operation is zero
  - 0 = The result of an arithmetic or logic operation is not zero
- bit 1       **$\overline{\text{DC}}$ :** Digit Carry/ $\overline{\text{Digit Borrow}}$  bit (`ADDWF`, `ADDLW`, `SUBLW`, `SUBWF` instructions)<sup>(1)</sup>
  - 1 = A carry-out from the 4th low-order bit of the result occurred
  - 0 = No carry-out from the 4th low-order bit of the result
- bit 0       **$\overline{\text{C}}$ :** Carry/ $\overline{\text{Borrow}}$  bit<sup>(1)</sup> (`ADDWF`, `ADDLW`, `SUBLW`, `SUBWF` instructions)<sup>(1)</sup>
  - 1 = A carry-out from the Most Significant bit of the result occurred
  - 0 = No carry-out from the Most Significant bit of the result occurred

**Note 1:** For  $\overline{\text{Borrow}}$ , the polarity is reversed. A subtraction is executed by adding the two's complement of the second operand. For rotate (`RRF`, `RLF`) instructions, this bit is loaded with either the high-order or low-order bit of the source register.

## 3.2.2 SPECIAL FUNCTION REGISTER

The Special Function Registers are registers used by the application to control the desired operation of peripheral functions in the device. The Special Function Registers occupy the 20 bytes after the core registers of every data memory bank (addresses x0Ch/x8Ch through x1Fh/x9Fh). The registers associated with the operation of the peripherals are described in the appropriate peripheral chapter of this data sheet.

## 3.2.3 GENERAL PURPOSE RAM

There are up to 80 bytes of GPR in each data memory bank. The Special Function Registers occupy the 20 bytes after the core registers of every data memory bank (addresses x0Ch/x8Ch through x1Fh/x9Fh).

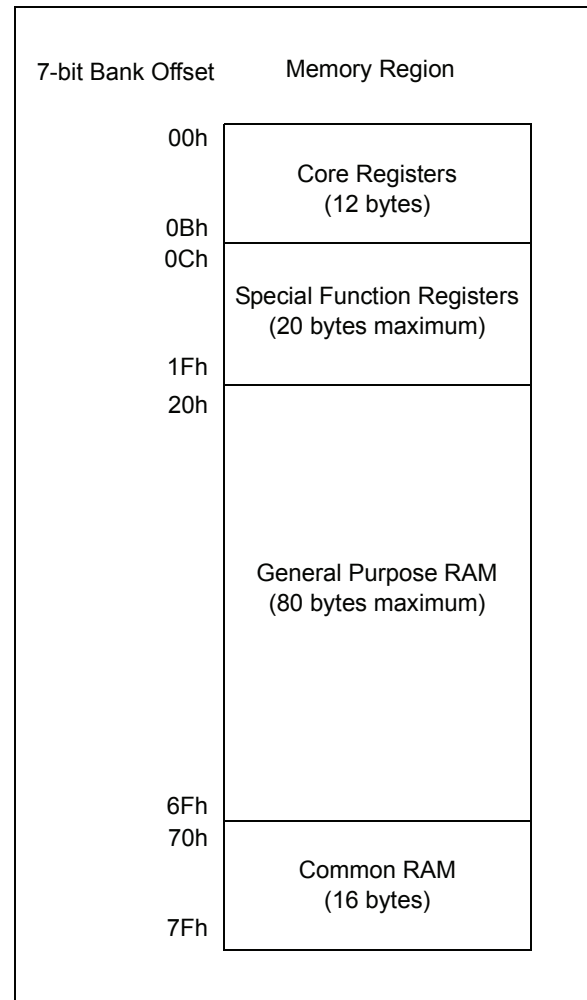
### 3.2.3.1 Linear Access to GPR

The general purpose RAM can be accessed in a non-banked method via the FSRs. This can simplify access to large memory structures. See [Section 3.5.2 “Linear Data Memory”](#) for more information.

## 3.2.4 COMMON RAM

There are 16 bytes of common RAM accessible from all banks.

**FIGURE 3-2: BANKED MEMORY PARTITIONING**



## 3.2.5 DEVICE MEMORY MAPS

The memory maps for PIC12(L)F1501 are as shown in [Table 3-3](#).

# PIC12(L)F1501

**TABLE 3-3: PIC12(L)F1501 MEMORY MAP**

| BANK 0 |                                      | BANK 1 |                                       | BANK 2 |                                       | BANK 3 |                                       | BANK 4 |                                       | BANK 5 |                                       | BANK 6 |                                       | BANK 7 |                                       |
|--------|--------------------------------------|--------|---------------------------------------|--------|---------------------------------------|--------|---------------------------------------|--------|---------------------------------------|--------|---------------------------------------|--------|---------------------------------------|--------|---------------------------------------|
| 000h   | Core Registers (Table 3-2)           | 080h   | Core Registers (Table 3-2)            | 100h   | Core Registers (Table 3-2)            | 180h   | Core Registers (Table 3-2)            | 200h   | Core Registers (Table 3-2)            | 280h   | Core Registers (Table 3-2)            | 300h   | Core Registers (Table 3-2)            | 380h   | Core Registers (Table 3-2)            |
| 00Bh   | PORTA                                | 08Bh   | TRISA                                 | 10Bh   | LATA                                  | 18Bh   | ANSELA                                | 20Bh   | WPUA                                  | 28Bh   | —                                     | 30Bh   | —                                     | 38Bh   | —                                     |
| 00Ch   | —                                    | 08Ch   | —                                     | 10Ch   | —                                     | 18Ch   | —                                     | 20Ch   | —                                     | 28Ch   | —                                     | 30Ch   | —                                     | 38Ch   | —                                     |
| 00Dh   | —                                    | 08Dh   | —                                     | 10Dh   | —                                     | 18Dh   | —                                     | 20Dh   | —                                     | 28Dh   | —                                     | 30Dh   | —                                     | 38Dh   | —                                     |
| 00Eh   | —                                    | 08Eh   | —                                     | 10Eh   | —                                     | 18Eh   | —                                     | 20Eh   | —                                     | 28Eh   | —                                     | 30Eh   | —                                     | 38Eh   | —                                     |
| 00Fh   | —                                    | 08Fh   | —                                     | 10Fh   | —                                     | 18Fh   | —                                     | 20Fh   | —                                     | 28Fh   | —                                     | 30Fh   | —                                     | 38Fh   | —                                     |
| 010h   | —                                    | 090h   | —                                     | 110h   | —                                     | 190h   | —                                     | 210h   | —                                     | 290h   | —                                     | 310h   | —                                     | 390h   | —                                     |
| 011h   | PIR1                                 | 091h   | PIE1                                  | 111h   | CM1CON0                               | 191h   | PMADRL                                | 211h   | —                                     | 291h   | —                                     | 311h   | IOCAP                                 | 391h   | —                                     |
| 012h   | PIR2                                 | 092h   | PIE2                                  | 112h   | CM1CON1                               | 192h   | PMADRH                                | 212h   | —                                     | 292h   | —                                     | 312h   | IOCAN                                 | 392h   | —                                     |
| 013h   | PIR3                                 | 093h   | PIE3                                  | 113h   | —                                     | 193h   | PMDATL                                | 213h   | —                                     | 293h   | —                                     | 313h   | IOCAF                                 | 393h   | —                                     |
| 014h   | —                                    | 094h   | —                                     | 114h   | —                                     | 194h   | PMDATH                                | 214h   | —                                     | 294h   | —                                     | 314h   | —                                     | 394h   | —                                     |
| 015h   | TMR0                                 | 095h   | OPTION REG                            | 115h   | CMOUT                                 | 195h   | PMCON1                                | 215h   | —                                     | 295h   | —                                     | 315h   | —                                     | 395h   | —                                     |
| 016h   | TMR1L                                | 096h   | PCON                                  | 116h   | BORCON                                | 196h   | PMCON2                                | 216h   | —                                     | 296h   | —                                     | 316h   | —                                     | 396h   | —                                     |
| 017h   | TMR1H                                | 097h   | WDTCON                                | 117h   | FVRCON                                | 197h   | VREGCON                               | 217h   | —                                     | 297h   | —                                     | 317h   | —                                     | 397h   | —                                     |
| 018h   | T1CON                                | 098h   | —                                     | 118h   | DACCON0                               | 198h   | —                                     | 218h   | —                                     | 298h   | —                                     | 318h   | —                                     | 398h   | —                                     |
| 019h   | T1GCON                               | 099h   | OSCCON                                | 119h   | DACCON1                               | 199h   | —                                     | 219h   | —                                     | 299h   | —                                     | 319h   | —                                     | 399h   | —                                     |
| 01Ah   | TMR2                                 | 09Ah   | OSCCON                                | 11Ah   | —                                     | 19Ah   | —                                     | 21Ah   | —                                     | 29Ah   | —                                     | 31Ah   | —                                     | 39Ah   | —                                     |
| 01Bh   | PR2                                  | 09Bh   | ADRESL                                | 11Bh   | —                                     | 19Bh   | —                                     | 21Bh   | —                                     | 29Bh   | —                                     | 31Bh   | —                                     | 39Bh   | —                                     |
| 01Ch   | T2CON                                | 09Ch   | ADRESH                                | 11Ch   | —                                     | 19Ch   | —                                     | 21Ch   | —                                     | 29Ch   | —                                     | 31Ch   | —                                     | 39Ch   | —                                     |
| 01Dh   | —                                    | 09Dh   | ADCON0                                | 11Dh   | APFCON                                | 19Dh   | —                                     | 21Dh   | —                                     | 29Dh   | —                                     | 31Dh   | —                                     | 39Dh   | —                                     |
| 01Eh   | —                                    | 09Eh   | ADCON1                                | 11Eh   | —                                     | 19Eh   | —                                     | 21Eh   | —                                     | 29Eh   | —                                     | 31Eh   | —                                     | 39Eh   | —                                     |
| 01Fh   | —                                    | 09Fh   | ADCON2                                | 11Fh   | —                                     | 19Fh   | —                                     | 21Fh   | —                                     | 29Fh   | —                                     | 31Fh   | —                                     | 39Fh   | —                                     |
| 020h   | General Purpose Register<br>48 Bytes | 0A0h   | —                                     | 120h   | —                                     | 1A0h   | —                                     | 220h   | —                                     | 2A0h   | —                                     | 320h   | —                                     | 3A0h   | —                                     |
| 04Fh   | Unimplemented<br>Read as '0'         | 0EFh   | Unimplemented<br>Read as '0'          | 16Fh   | Unimplemented<br>Read as '0'          | 1EFh   | Unimplemented<br>Read as '0'          | 26Fh   | Unimplemented<br>Read as '0'          | 2EFh   | Unimplemented<br>Read as '0'          | 36Fh   | Unimplemented<br>Read as '0'          | 3EFh   | Unimplemented<br>Read as '0'          |
| 050h   | Common RAM                           | 0F0h   | Common RAM<br>(Accesses<br>70h – 7Fh) | 170h   | Common RAM<br>(Accesses<br>70h – 7Fh) | 1F0h   | Common RAM<br>(Accesses<br>70h – 7Fh) | 270h   | Common RAM<br>(Accesses<br>70h – 7Fh) | 2F0h   | Common RAM<br>(Accesses<br>70h – 7Fh) | 370h   | Common RAM<br>(Accesses<br>70h – 7Fh) | 3F0h   | Common RAM<br>(Accesses<br>70h – 7Fh) |
| 06Fh   | —                                    | 0FFh   | —                                     | 17Fh   | —                                     | 1FFh   | —                                     | 27Fh   | —                                     | 2FFh   | —                                     | 37Fh   | —                                     | 3FFh   | —                                     |

Legend: ■ = Unimplemented data memory locations, read as '0'

**TABLE 3-3: PIC12(L)F1501 MEMORY MAP (CONTINUED)**

| BANK 8 |                                       | BANK 9 |                                       | BANK 10 |                                       | BANK 11 |                                       | BANK 12 |                                       | BANK 13 |                                       | BANK 14 |                                       | BANK 15 |                                       |
|--------|---------------------------------------|--------|---------------------------------------|---------|---------------------------------------|---------|---------------------------------------|---------|---------------------------------------|---------|---------------------------------------|---------|---------------------------------------|---------|---------------------------------------|
| 400h   | Core Registers<br>(Table 3-2)         | 500h   | Core Registers<br>(Table 3-2)         | 580h    | Core Registers<br>(Table 3-2)         | 600h    | Core Registers<br>(Table 3-2)         | 680h    | Core Registers<br>(Table 3-2)         | 700h    | Core Registers<br>(Table 3-2)         | 780h    | Core Registers<br>(Table 3-2)         | 800h    | Core Registers<br>(Table 3-2)         |
| 40Bh   | —                                     | 50Bh   | —                                     | 58Bh    | —                                     | 60Bh    | —                                     | 68Bh    | —                                     | 70Bh    | —                                     | 78Bh    | —                                     | 80Bh    | —                                     |
| 40Ch   | 48Ch                                  | 50Ch   | 58Ch                                  | 58Ch    | 58Ch                                  | 60Ch    | 68Ch                                  | 68Ch    | 68Ch                                  | 70Ch    | 78Ch                                  | 78Ch    | 78Ch                                  | 80Ch    | 88Ch                                  |
| 40Dh   | 48Dh                                  | 50Dh   | 58Dh                                  | 58Dh    | 58Dh                                  | 60Dh    | 68Dh                                  | 68Dh    | 68Dh                                  | 70Dh    | 78Dh                                  | 78Dh    | 78Dh                                  | 80Dh    | 88Bh                                  |
| 40Eh   | 48Eh                                  | 50Eh   | 58Eh                                  | 58Eh    | 58Eh                                  | 60Eh    | 68Eh                                  | 68Eh    | 68Eh                                  | 70Eh    | 78Eh                                  | 78Eh    | 78Eh                                  | 80Eh    | 88Ch                                  |
| 40Fh   | 48Fh                                  | 50Fh   | 58Fh                                  | 58Fh    | 58Fh                                  | 60Fh    | 68Fh                                  | 68Fh    | 68Fh                                  | 70Fh    | 78Fh                                  | 78Fh    | 78Fh                                  | 80Fh    | 88Ch                                  |
| 410h   | 490h                                  | 510h   | 590h                                  | 590h    | 590h                                  | 610h    | 690h                                  | 690h    | 690h                                  | 710h    | 790h                                  | 790h    | 790h                                  | 80Fh    | 88Ch                                  |
| 411h   | 491h                                  | 511h   | 591h                                  | 591h    | 591h                                  | 611h    | 691h                                  | 691h    | 691h                                  | 711h    | 791h                                  | 791h    | 791h                                  | 810h    | 88Ch                                  |
| 412h   | 492h                                  | 512h   | 592h                                  | 592h    | 592h                                  | 612h    | 692h                                  | 692h    | 692h                                  | 712h    | 792h                                  | 792h    | 792h                                  | 811h    | 88Ch                                  |
| 413h   | 493h                                  | 513h   | 593h                                  | 593h    | 593h                                  | 613h    | 693h                                  | 693h    | 693h                                  | 713h    | 793h                                  | 793h    | 793h                                  | 812h    | 88Ch                                  |
| 414h   | 494h                                  | 514h   | 594h                                  | 594h    | 594h                                  | 614h    | 694h                                  | 694h    | 694h                                  | 714h    | 794h                                  | 794h    | 794h                                  | 813h    | 88Ch                                  |
| 415h   | 495h                                  | 515h   | 595h                                  | 595h    | 595h                                  | 615h    | 695h                                  | 695h    | 695h                                  | 715h    | 795h                                  | 795h    | 795h                                  | 814h    | 88Ch                                  |
| 416h   | 496h                                  | 516h   | 596h                                  | 596h    | 596h                                  | 616h    | 696h                                  | 696h    | 696h                                  | 716h    | 796h                                  | 796h    | 796h                                  | 815h    | 88Ch                                  |
| 417h   | 497h                                  | 517h   | 597h                                  | 597h    | 597h                                  | 617h    | 697h                                  | 697h    | 697h                                  | 717h    | 797h                                  | 797h    | 797h                                  | 816h    | 88Ch                                  |
| 418h   | 498h                                  | 518h   | 598h                                  | 598h    | 598h                                  | 618h    | 698h                                  | 698h    | 698h                                  | 718h    | 798h                                  | 798h    | 798h                                  | 817h    | 88Ch                                  |
| 419h   | 499h                                  | 519h   | 599h                                  | 599h    | 599h                                  | 619h    | 699h                                  | 699h    | 699h                                  | 719h    | 799h                                  | 799h    | 799h                                  | 818h    | 88Ch                                  |
| 41Ah   | 49Ah                                  | 51Ah   | 59Ah                                  | 59Ah    | 59Ah                                  | 61Ah    | 69Ah                                  | 69Ah    | 69Ah                                  | 71Ah    | 79Ah                                  | 79Ah    | 79Ah                                  | 819h    | 88Ch                                  |
| 41Bh   | 49Bh                                  | 51Bh   | 59Bh                                  | 59Bh    | 59Bh                                  | 61Bh    | 69Bh                                  | 69Bh    | 69Bh                                  | 71Bh    | 79Bh                                  | 79Bh    | 79Bh                                  | 820h    | 88Ch                                  |
| 41Ch   | 49Ch                                  | 51Ch   | 59Ch                                  | 59Ch    | 59Ch                                  | 61Ch    | 69Ch                                  | 69Ch    | 69Ch                                  | 71Ch    | 79Ch                                  | 79Ch    | 79Ch                                  | 821h    | 88Ch                                  |
| 41Dh   | 49Dh                                  | 51Dh   | 59Dh                                  | 59Dh    | 59Dh                                  | 61Dh    | 69Dh                                  | 69Dh    | 69Dh                                  | 71Dh    | 79Dh                                  | 79Dh    | 79Dh                                  | 822h    | 88Ch                                  |
| 41Eh   | 49Eh                                  | 51Eh   | 59Eh                                  | 59Eh    | 59Eh                                  | 61Eh    | 69Eh                                  | 69Eh    | 69Eh                                  | 71Eh    | 79Eh                                  | 79Eh    | 79Eh                                  | 823h    | 88Ch                                  |
| 41Fh   | 49Fh                                  | 51Fh   | 59Fh                                  | 59Fh    | 59Fh                                  | 61Fh    | 69Fh                                  | 69Fh    | 69Fh                                  | 71Fh    | 79Fh                                  | 79Fh    | 79Fh                                  | 824h    | 88Ch                                  |
| 420h   | 4A0h                                  | 520h   | 5A0h                                  | 5A0h    | 5A0h                                  | 620h    | 6A0h                                  | 6A0h    | 6A0h                                  | 720h    | 7A0h                                  | 7A0h    | 7A0h                                  | 825h    | 88Ch                                  |
| 46Fh   | 4Eh                                   | 56Fh   | 5Eh                                   | 5Eh     | 5Eh                                   | 64Fh    | 6Eh                                   | 6Eh     | 6Eh                                   | 76Fh    | 7Eh                                   | 7Eh     | 7Eh                                   | 826h    | 88Ch                                  |
| 470h   | 4F0h                                  | 570h   | 5F0h                                  | 5F0h    | 5F0h                                  | 650h    | 6F0h                                  | 6F0h    | 6F0h                                  | 770h    | 7F0h                                  | 7F0h    | 7F0h                                  | 827h    | 88Ch                                  |
| 47Fh   | 4Fh                                   | 57Fh   | 5Fh                                   | 5Fh     | 5Fh                                   | 67Fh    | 6Fh                                   | 6Fh     | 6Fh                                   | 77Fh    | 7Fh                                   | 7Fh     | 7Fh                                   | 828h    | 88Ch                                  |
|        | Unimplemented<br>Read as '0'          |        | Unimplemented<br>Read as '0'          |         | Unimplemented<br>Read as '0'          |         | Unimplemented<br>Read as '0'          |         | Unimplemented<br>Read as '0'          |         | Unimplemented<br>Read as '0'          |         | Unimplemented<br>Read as '0'          |         | Unimplemented<br>Read as '0'          |
|        | Common RAM<br>(Accesses<br>70h – 7Fh) |        | Common RAM<br>(Accesses<br>70h – 7Fh) |         | Common RAM<br>(Accesses<br>70h – 7Fh) |         | Common RAM<br>(Accesses<br>70h – 7Fh) |         | Common RAM<br>(Accesses<br>70h – 7Fh) |         | Common RAM<br>(Accesses<br>70h – 7Fh) |         | Common RAM<br>(Accesses<br>70h – 7Fh) |         | Common RAM<br>(Accesses<br>70h – 7Fh) |

| BANK 16 |                                       | BANK 17 |                                       | BANK 18 |                                       | BANK 19 |                                       | BANK 20 |                                       | BANK 21 |                                       | BANK 22 |                                       | BANK 23 |                                       |
|---------|---------------------------------------|---------|---------------------------------------|---------|---------------------------------------|---------|---------------------------------------|---------|---------------------------------------|---------|---------------------------------------|---------|---------------------------------------|---------|---------------------------------------|
| 800h    | Core Registers<br>(Table 3-2)         | 900h    | Core Registers<br>(Table 3-2)         | 980h    | Core Registers<br>(Table 3-2)         | A00h    | Core Registers<br>(Table 3-2)         | A80h    | Core Registers<br>(Table 3-2)         | B00h    | Core Registers<br>(Table 3-2)         | B80h    | Core Registers<br>(Table 3-2)         | B80h    | Core Registers<br>(Table 3-2)         |
| 80Bh    | —                                     | 90Bh    | —                                     | 98Bh    | —                                     | A0Bh    | —                                     | A8Bh    | —                                     | B0Bh    | —                                     | B8Bh    | —                                     | B8Bh    | —                                     |
| 80Ch    | 88Ch                                  | 90Ch    | 98Ch                                  | 98Ch    | 98Ch                                  | A0Ch    | A8Ch                                  | A8Ch    | A8Ch                                  | B0Ch    | B8Ch                                  | B8Ch    | B8Ch                                  | B8Ch    | B8Ch                                  |
| 86Fh    | 8Eh                                   | 96Fh    | 9Eh                                   | 9Eh     | 9Eh                                   | A6Fh    | A6Fh                                  | A6Fh    | A6Fh                                  | B6Fh    | BEh                                   | BEh     | BEh                                   | BEh     | BEh                                   |
| 870h    | 8F0h                                  | 970h    | 9F0h                                  | 9F0h    | 9F0h                                  | A70h    | A70h                                  | A70h    | A70h                                  | B70h    | BF0h                                  | BF0h    | BF0h                                  | BF0h    | BF0h                                  |
| 87Fh    | 8Fh                                   | 97Fh    | 9Fh                                   | 9Fh     | 9Fh                                   | A7Fh    | A7Fh                                  | A7Fh    | A7Fh                                  | B7Fh    | BFh                                   | BFh     | BFh                                   | BFh     | BFh                                   |
|         | Unimplemented<br>Read as '0'          |         | Unimplemented<br>Read as '0'          |         | Unimplemented<br>Read as '0'          |         | Unimplemented<br>Read as '0'          |         | Unimplemented<br>Read as '0'          |         | Unimplemented<br>Read as '0'          |         | Unimplemented<br>Read as '0'          |         | Unimplemented<br>Read as '0'          |
|         | Common RAM<br>(Accesses<br>70h – 7Fh) |         | Common RAM<br>(Accesses<br>70h – 7Fh) |         | Common RAM<br>(Accesses<br>70h – 7Fh) |         | Common RAM<br>(Accesses<br>70h – 7Fh) |         | Common RAM<br>(Accesses<br>70h – 7Fh) |         | Common RAM<br>(Accesses<br>70h – 7Fh) |         | Common RAM<br>(Accesses<br>70h – 7Fh) |         | Common RAM<br>(Accesses<br>70h – 7Fh) |

Legend: ■ = Unimplemented data memory locations, read as '0'

# PIC12(L)F1501

TABLE 3-3: PIC12(L)F1501 MEMORY MAP (CONTINUED)

| BANK 24                       |                                       | BANK 25                       |                                       | BANK 26                       |                                       | BANK 27                       |                                       | BANK 28                       |                                       | BANK 29                       |  | BANK 30                       |  | BANK 31                               |  |
|-------------------------------|---------------------------------------|-------------------------------|---------------------------------------|-------------------------------|---------------------------------------|-------------------------------|---------------------------------------|-------------------------------|---------------------------------------|-------------------------------|--|-------------------------------|--|---------------------------------------|--|
| Core Registers<br>(Table 3-2) |                                       | Core Registers<br>(Table 3-2) |                                       | Core Registers<br>(Table 3-2) |                                       | Core Registers<br>(Table 3-2) |                                       | Core Registers<br>(Table 3-2) |                                       | Core Registers<br>(Table 3-2) |  | Core Registers<br>(Table 3-2) |  | Core Registers<br>(Table 3-2)         |  |
| C00h                          |                                       | D00h                          |                                       | E00h                          |                                       | F00h                          |                                       |                               |                                       |                               |  |                               |  | F80h                                  |  |
| C0Bh                          | C8Bh                                  | D0Bh                          | D0Bh                                  | E0Bh                          | D8Bh                                  | F0Bh                          | D8Bh                                  | E0Bh                          | E8Bh                                  |                               |  |                               |  | F8Bh                                  |  |
| C0Ch                          | C8Ch                                  | D0Ch                          | D0Ch                                  | E0Ch                          | D8Ch                                  | F0Ch                          | D8Ch                                  | E0Ch                          | E8Ch                                  |                               |  |                               |  | F8Ch                                  |  |
| C0Dh                          | C8Dh                                  | D0Dh                          | D0Dh                                  | E0Dh                          | D8Dh                                  | F0Dh                          | D8Dh                                  | E0Dh                          | E8Dh                                  |                               |  |                               |  | F8Dh                                  |  |
| C0Eh                          | C8Eh                                  | D0Eh                          | D0Eh                                  | E0Eh                          | D8Eh                                  | F0Eh                          | D8Eh                                  | E0Eh                          | E8Eh                                  |                               |  |                               |  | F8Eh                                  |  |
| C0Fh                          | C8Fh                                  | D0Fh                          | D0Fh                                  | E0Fh                          | D8Fh                                  | F0Fh                          | D8Fh                                  | E0Fh                          | E8Fh                                  |                               |  |                               |  | F8Fh                                  |  |
| C10h                          | C90h                                  | D10h                          | D10h                                  | E10h                          | D90h                                  | F10h                          | D90h                                  | E10h                          | E90h                                  |                               |  |                               |  | F90h                                  |  |
| C11h                          | C91h                                  | D11h                          | D11h                                  | E11h                          | D91h                                  | F11h                          | D91h                                  | E11h                          | E91h                                  |                               |  |                               |  | F91h                                  |  |
| C12h                          | C92h                                  | D12h                          | D12h                                  | E12h                          | D92h                                  | F12h                          | D92h                                  | E12h                          | E92h                                  |                               |  |                               |  | F92h                                  |  |
| C13h                          | C93h                                  | D13h                          | D13h                                  | E13h                          | D93h                                  | F13h                          | D93h                                  | E13h                          | E93h                                  |                               |  |                               |  | F93h                                  |  |
| C14h                          | C94h                                  | D14h                          | D14h                                  | E14h                          | D94h                                  | F14h                          | D94h                                  | E14h                          | E94h                                  |                               |  |                               |  | F94h                                  |  |
| C15h                          | C95h                                  | D15h                          | D15h                                  | E15h                          | D95h                                  | F15h                          | D95h                                  | E15h                          | E95h                                  |                               |  |                               |  | F95h                                  |  |
| C16h                          | C96h                                  | D16h                          | D16h                                  | E16h                          | D96h                                  | F16h                          | D96h                                  | E16h                          | E96h                                  |                               |  |                               |  | F96h                                  |  |
| C17h                          | C97h                                  | D17h                          | D17h                                  | E17h                          | D97h                                  | F17h                          | D97h                                  | E17h                          | E97h                                  |                               |  |                               |  | F97h                                  |  |
| C18h                          | C98h                                  | D18h                          | D18h                                  | E18h                          | D98h                                  | F18h                          | D98h                                  | E18h                          | E98h                                  |                               |  |                               |  | F98h                                  |  |
| C19h                          | C99h                                  | D19h                          | D19h                                  | E19h                          | D99h                                  | F19h                          | D99h                                  | E19h                          | E99h                                  |                               |  |                               |  | F99h                                  |  |
| C1Ah                          | C9Ah                                  | D1Ah                          | D1Ah                                  | E1Ah                          | D9Ah                                  | F1Ah                          | D9Ah                                  | E1Ah                          | E9Ah                                  |                               |  |                               |  | F9Ah                                  |  |
| C1Bh                          | C9Bh                                  | D1Bh                          | D1Bh                                  | E1Bh                          | D9Bh                                  | F1Bh                          | D9Bh                                  | E1Bh                          | E9Bh                                  |                               |  |                               |  | F9Bh                                  |  |
| C1Ch                          | C9Ch                                  | D1Ch                          | D1Ch                                  | E1Ch                          | D9Ch                                  | F1Ch                          | D9Ch                                  | E1Ch                          | E9Ch                                  |                               |  |                               |  | F9Ch                                  |  |
| C1Dh                          | C9Dh                                  | D1Dh                          | D1Dh                                  | E1Dh                          | D9Dh                                  | F1Dh                          | D9Dh                                  | E1Dh                          | E9Dh                                  |                               |  |                               |  | F9Dh                                  |  |
| C1Eh                          | C9Eh                                  | D1Eh                          | D1Eh                                  | E1Eh                          | D9Eh                                  | F1Eh                          | D9Eh                                  | E1Eh                          | E9Eh                                  |                               |  |                               |  | F9Eh                                  |  |
| C1Fh                          | C9Fh                                  | D1Fh                          | D1Fh                                  | E1Fh                          | D9Fh                                  | F1Fh                          | D9Fh                                  | E1Fh                          | E9Fh                                  |                               |  |                               |  | F9Fh                                  |  |
| C20h                          | CA0h                                  | D20h                          | D20h                                  | E20h                          | DA0h                                  | F20h                          | DA0h                                  | E20h                          | EA0h                                  |                               |  |                               |  | FA0h                                  |  |
|                               | Unimplemented<br>Read as '0'          |                               | Unimplemented<br>Read as '0'          |                               | Unimplemented<br>Read as '0'          |                               | Unimplemented<br>Read as '0'          |                               | Unimplemented<br>Read as '0'          |                               |  |                               |  |                                       |  |
| C6Fh                          | CFh                                   | D6Fh                          | D6Fh                                  | E6Fh                          | DEFh                                  | F6Fh                          | DEFh                                  | E6Fh                          | EEFh                                  |                               |  |                               |  | FEFh                                  |  |
| C70h                          | CF0h                                  | D70h                          | D70h                                  | E70h                          | DF0h                                  | F70h                          | DF0h                                  | E70h                          | EF0h                                  |                               |  |                               |  | FF0h                                  |  |
| CFh                           | CFh                                   | D7Fh                          | D7Fh                                  | E7Fh                          | DFh                                   | F7Fh                          | DFh                                   | E7Fh                          | EFh                                   |                               |  |                               |  | FFh                                   |  |
|                               | Common RAM<br>(Accesses<br>70h – 7Fh) |                               | Common RAM<br>(Accesses<br>70h – 7Fh) |                               | Common RAM<br>(Accesses<br>70h – 7Fh) |                               | Common RAM<br>(Accesses<br>70h – 7Fh) |                               | Common RAM<br>(Accesses<br>70h – 7Fh) |                               |  |                               |  | Common RAM<br>(Accesses<br>70h – 7Fh) |  |
|                               | Common RAM<br>(Accesses<br>70h – 7Fh) |                               | Common RAM<br>(Accesses<br>70h – 7Fh) |                               | Common RAM<br>(Accesses<br>70h – 7Fh) |                               | Common RAM<br>(Accesses<br>70h – 7Fh) |                               | Common RAM<br>(Accesses<br>70h – 7Fh) |                               |  |                               |  | Common RAM<br>(Accesses<br>70h – 7Fh) |  |
|                               | Common RAM<br>(Accesses<br>70h – 7Fh) |                               | Common RAM<br>(Accesses<br>70h – 7Fh) |                               | Common RAM<br>(Accesses<br>70h – 7Fh) |                               | Common RAM<br>(Accesses<br>70h – 7Fh) |                               | Common RAM<br>(Accesses<br>70h – 7Fh) |                               |  |                               |  | Common RAM<br>(Accesses<br>70h – 7Fh) |  |

Legend: ■ = Unimplemented data memory locations, read as '0'.

**TABLE 3-3: PIC12(L)F1501 MEMORY MAP (CONTINUED)**

| Bank 30 |                              | Bank 31 |                              |             |
|---------|------------------------------|---------|------------------------------|-------------|
| F0Ch    | —                            | F8Ch    | Unimplemented<br>Read as '0' |             |
| F0Dh    | —                            | FE3h    |                              |             |
| F0Eh    | —                            | FE4h    |                              | STATUS_SHAD |
| F0Fh    | CLCDATA                      | FE5h    |                              | WREG_SHAD   |
| F10h    | CLC1CON                      | FE6h    |                              | BSR_SHAD    |
| F11h    | CLC1POL                      | FE7h    |                              | PCLATH_SHAD |
| F12h    | CLC1SEL0                     | FE8h    |                              | FSR0L_SHAD  |
| F13h    | CLC1SEL1                     | FE9h    |                              | FSR0H_SHAD  |
| F14h    | CLC1GLS0                     | FEAh    |                              | FSR1L_SHAD  |
| F15h    | CLC1GLS1                     | FEBh    |                              | FSR1H_SHAD  |
| F16h    | CLC1GLS2                     | FECh    |                              | —           |
| F17h    | CLC1GLS3                     | FEDh    |                              | STKPTR      |
| F18h    | CLC2CON                      | FEEh    |                              | TOSL        |
| F19h    | CLC2POL                      | FEFh    | TOSH                         |             |
| F1Ah    | CLC2SEL0                     |         |                              |             |
| F1Bh    | CLC2SEL1                     |         |                              |             |
| F1Ch    | CLC2GLS0                     |         |                              |             |
| F1Dh    | CLC2GLS1                     |         |                              |             |
| F1Eh    | CLC2GLS2                     |         |                              |             |
| F1Fh    | CLC2GLS3                     |         |                              |             |
| F20h    | Unimplemented<br>Read as '0' |         |                              |             |
| F6Fh    | Unimplemented<br>Read as '0' |         |                              |             |

**Legend:**  = Unimplemented data memory locations, read as '0'.

# PIC12(L)F1501

## 3.2.6 CORE FUNCTION REGISTERS SUMMARY

The Core Function registers listed in Table 3-4 can be addressed from any Bank.

**TABLE 3-4: CORE FUNCTION REGISTERS SUMMARY**

| Addr             | Name   | Bit 7  | Bit 6  | Bit 5  | Bit 4           | Bit 3           | Bit 2  | Bit 1 | Bit 0 | Value on POR, BOR | Value on all other Resets |           |
|------------------|--------|--|--|--------|-----------------|-----------------|--------|-------|-------|-------------------|---------------------------|-----------|
| <b>Bank 0-31</b> |        |  |  |        |                 |                 |        |       |       |                   |                           |           |
| x00h or x80h     | INDF0  | Addressing this location uses contents of FSR0H/FSR0L to address data memory (not a physical register) |  |        |                 |                 |        |       |       | xxxx xxxx         | uuuu uuuu                 |           |
| x01h or x81h     | INDF1  | Addressing this location uses contents of FSR1H/FSR1L to address data memory (not a physical register) |  |        |                 |                 |        |       |       | xxxx xxxx         | uuuu uuuu                 |           |
| x02h or x82h     | PCL    | Program Counter (PC) Least Significant Byte  |  |        |                 |                 |        |       |       | 0000 0000         | 0000 0000                 |           |
| x03h or x83h     | STATUS | —  | —  | —      | $\overline{TO}$ | $\overline{PD}$ | Z      | DC    | C     | ---1 1000         | ---q quuu                 |           |
| x04h or x84h     | FSR0L  | Indirect Data Memory Address 0 Low Pointer   |  |        |                 |                 |        |       |       | 0000 0000         | uuuu uuuu                 |           |
| x05h or x85h     | FSR0H  | Indirect Data Memory Address 0 High Pointer  |  |        |                 |                 |        |       |       | 0000 0000         | 0000 0000                 |           |
| x06h or x86h     | FSR1L  | Indirect Data Memory Address 1 Low Pointer   |  |        |                 |                 |        |       |       | 0000 0000         | uuuu uuuu                 |           |
| x07h or x87h     | FSR1H  | Indirect Data Memory Address 1 High Pointer  |  |        |                 |                 |        |       |       | 0000 0000         | 0000 0000                 |           |
| x08h or x88h     | BSR    | —  | —  | —      | BSR<4:0>        |                 |        |       | ---   | 0 0000            | ---                       | 0 0000    |
| x09h or x89h     | WREG   | Working Register   |  |        |                 |                 |        |       |       | 0000 0000         | uuuu uuuu                 |           |
| x0Ah or x8Ah     | PCLATH | —  | Write Buffer for the upper 7 bits of the Program Counter |        |                 |                 |        |       |       |                   | -000 0000                 | -000 0000 |
| x0Bh or x8Bh     | INTCON | GIE  | PEIE   | TMR0IE | INTE            | IOIE            | TMR0IF | INTF  | IOCIF | 0000 0000         | 0000 0000                 |           |

**Legend:** x = unknown, u = unchanged, q = value depends on condition, - = unimplemented, read as '0', r = reserved. Shaded locations are unimplemented, read as '0'.



# PIC12(L)F1501

**TABLE 3-5: SPECIAL FUNCTION REGISTER SUMMARY**

| Address       | Name       | Bit 7  | Bit 6        | Bit 5       | Bit 4         | Bit 3            | Bit 2       | Bit 1       | Bit 0  | Value on POR, BOR | Value on all other Resets |           |
|---------------|------------|--|--------------|-------------|---------------|------------------|-------------|-------------|--------|-------------------|---------------------------|-----------|
| <b>Bank 0</b> |            |  |              |             |               |                  |             |             |        |                   |                           |           |
| 00Ch          | PORTA      | —  | —            | RA5         | RA4           | RA3              | RA2         | RA1         | RA0    | --xx xxxx         | --xx xxxx                 |           |
| 00Dh          | —          | Unimplemented  |              |             |               |                  |             |             |        |                   | —                         | —         |
| 00Eh          | —          | Unimplemented  |              |             |               |                  |             |             |        |                   | —                         | —         |
| 00Fh          | —          | Unimplemented  |              |             |               |                  |             |             |        |                   | —                         | —         |
| 010h          | —          | Unimplemented  |              |             |               |                  |             |             |        |                   | —                         | —         |
| 011h          | PIR1       | TMR1GIF  | ADIF         | —           | —             | —                | —           | TMR2IF      | TMR1IF | 00-- --00         | 00-- --00                 |           |
| 012h          | PIR2       | —  | —            | C1IF        | —             | —                | NCO1IF      | —           | —      | --0- -0--         | --0- -0--                 |           |
| 013h          | PIR3       | —  | —            | —           | —             | —                | —           | CLC2IF      | CLC1IF | ---- --00         | ---- --00                 |           |
| 014h          | —          | Unimplemented  |              |             |               |                  |             |             |        |                   | —                         | —         |
| 015h          | TMR0       | Holding Register for the 8-bit Timer0 Count                              |              |             |               |                  |             |             |        |                   | xxxx xxxx                 | uuuu uuuu |
| 016h          | TMR1L      | Holding Register for the Least Significant Byte of the 16-bit TMR1 Count |              |             |               |                  |             |             |        |                   | xxxx xxxx                 | uuuu uuuu |
| 017h          | TMR1H      | Holding Register for the Most Significant Byte of the 16-bit TMR1 Count  |              |             |               |                  |             |             |        |                   | xxxx xxxx                 | uuuu uuuu |
| 018h          | T1CON      | TMR1CS<1:0>  |              | T1CKPS<1:0> |               | —                | T1SYNC      | —           | TMR1ON | 0000 -0-0         | uuuu -u-u                 |           |
| 019h          | T1GCON     | TMR1GE   | T1GPOL       | T1GTM       | T1GSPM        | T1GGO/<br>DONE   | T1GVAL      | T1GSS<1:0>  |        | 0000 0x00         | uuuu uxuu                 |           |
| 01Ah          | TMR2       | Timer2 Module Register   |              |             |               |                  |             |             |        |                   | 0000 0000                 | 0000 0000 |
| 01Bh          | PR2        | Timer2 Period Register   |              |             |               |                  |             |             |        |                   | 1111 1111                 | 1111 1111 |
| 01Ch          | T2CON      | —  | T2OUTPS<3:0> |             |               |                  | TMR2ON      | T2CKPS<1:0> |        | -000 0000         | -000 0000                 |           |
| 01Dh          | —          | Unimplemented  |              |             |               |                  |             |             |        |                   | —                         | —         |
| 01Eh          | —          | Unimplemented  |              |             |               |                  |             |             |        |                   | —                         | —         |
| 01Fh          | —          | Unimplemented  |              |             |               |                  |             |             |        |                   | —                         | —         |
| <b>Bank 1</b> |            |  |              |             |               |                  |             |             |        |                   |                           |           |
| 08Ch          | TRISA      | —  | —            | TRISA5      | TRISA4        | — <sup>(2)</sup> | TRISA2      | TRISA1      | TRISA0 | --11 1111         | --11 1111                 |           |
| 08Dh          | —          | Unimplemented  |              |             |               |                  |             |             |        |                   | —                         | —         |
| 08Eh          | —          | Unimplemented  |              |             |               |                  |             |             |        |                   | —                         | —         |
| 08Fh          | —          | Unimplemented  |              |             |               |                  |             |             |        |                   | —                         | —         |
| 090h          | —          | Unimplemented  |              |             |               |                  |             |             |        |                   | —                         | —         |
| 091h          | PIE1       | TMR1GIE  | ADIE         | —           | —             | —                | —           | TMR2IE      | TMR1IE | 00-- --00         | 00-- --00                 |           |
| 092h          | PIE2       | —  | —            | C1IE        | —             | —                | NCO1IE      | —           | —      | --0- -0--         | -00- -0--                 |           |
| 093h          | PIE3       | —  | —            | —           | —             | —                | —           | CLC2IE      | CLC1IE | ---- --00         | ---- --00                 |           |
| 094h          | —          | Unimplemented  |              |             |               |                  |             |             |        |                   | —                         | —         |
| 095h          | OPTION_REG | WPUEN  | INTEDG       | TMR0CS      | TMR0SE        | PSA              | PS<2:0>     |             | —      | 1111 1111         | 1111 1111                 |           |
| 096h          | PCON       | STKOVF   | STKUNF       | —           | RWD $\bar{T}$ | R $\bar{M}$ CLR  | R $\bar{I}$ | POR         | BOR    | 00-1 11qq         | qq-q qquu                 |           |
| 097h          | WDTCON     | —  | —            | WDTPS<4:0>  |               |                  |             |             | SWDTEN | —                 | --01 0110                 | --01 0110 |
| 098h          | —          | Unimplemented  |              |             |               |                  |             |             |        |                   | —                         | —         |
| 099h          | OSCCON     | —  | IRCF<3:0>    |             |               |                  | —           | SCS<1:0>    |        | -011 1-00         | -011 1-00                 |           |
| 09Ah          | OSCSTAT    | —  | —            | —           | HFIOFR        | —                | —           | LFIOFR      | HFIOFS | ---0 --00         | ---q --qq                 |           |
| 09Bh          | ADRESL     | A/D Result Register Low  |              |             |               |                  |             |             |        |                   | xxxx xxxx                 | uuuu uuuu |
| 09Ch          | ADRESH     | A/D Result Register High   |              |             |               |                  |             |             |        |                   | xxxx xxxx                 | uuuu uuuu |
| 09Dh          | ADCON0     | —  | CHS<4:0>     |             |               |                  |             | GO/DONE     | ADON   | —                 | -000 0000                 | -000 0000 |
| 09Eh          | ADCON1     | ADFM   | ADCS<2:0>    |             |               | —                | —           | ADPREF<1:0> |        | 0000 --00         | 0000 --00                 |           |
| 09Fh          | ADCON2     | TRIGSEL<3:0>   |              |             |               | —                | —           | —           | —      | 0000 ----         | 0000 ----                 |           |

**Legend:** x = unknown, u = unchanged, q = value depends on condition, - = unimplemented, r = reserved. Shaded locations are unimplemented, read as '0'.  
**Note 1:** PIC12F1501 only.  
**Note 2:** Unimplemented, read as '1'.

# PIC12(L)F1501

**TABLE 3-5: SPECIAL FUNCTION REGISTER SUMMARY (CONTINUED)**

| Address       | Name                   | Bit 7  | Bit 6   | Bit 5   | Bit 4     | Bit 3       | Bit 2      | Bit 1      | Bit 0    | Value on POR, BOR | Value on all other Resets |           |
|---------------|------------------------|--|---|---|-----------|-------------|------------|------------|----------|-------------------|---------------------------|-----------|
| <b>Bank 2</b> |                        |  |   |   |           |             |            |            |          |                   |                           |           |
| 10Ch          | LATA                   | —  | —   | LATA5   | LATA4     | —           | LATA2      | LATA1      | LATA0    | --xx -xxx         | --uu -uuu                 |           |
| 10Dh          | —                      | Unimplemented                                    |   |   |           |             |            |            |          |                   | —                         | —         |
| 10Eh          | —                      | Unimplemented                                    |   |   |           |             |            |            |          |                   | —                         | —         |
| 10Fh          | —                      | Unimplemented                                    |   |   |           |             |            |            |          |                   | —                         | —         |
| 110h          | —                      | Unimplemented                                    |   |   |           |             |            |            |          |                   | —                         | —         |
| 111h          | CM1CON0                | C1ON   | C1OUT   | C1OE  | C1POL     | —           | C1SP       | C1HYS      | C1SYNC   | 0000 -100         | 0000 -100                 |           |
| 112h          | CM1CON1                | C1INTP   | C1INTN  | C1PCH<1:0>  |           | —           | C1NCH<2:0> |            |          | 0000 -000         | 0000 -000                 |           |
| 113h          | —                      | Unimplemented                                    |   |   |           |             |            |            |          |                   | —                         | —         |
| 114h          | —                      | Unimplemented                                    |   |   |           |             |            |            |          |                   | —                         | —         |
| 115h          | CMOUT                  | —  | —   | —   | —         | —           | —          | —          | MC1OUT   | ---- -0           | ---- -0                   |           |
| 116h          | BORCON                 | SBOREN   | BORFS   | —   | —         | —           | —          | —          | BORRDY   | 10-- -q           | uu-- -u                   |           |
| 117h          | FVRCON                 | FVREN  | FVRRDY  | TSEN  | TSRNG     | CDAFVR<1:0> |            | ADFVR<1:0> |          | 0q00 0000         | 0q00 0000                 |           |
| 118h          | DACCON0                | DACEN  | —   | DACOE1  | DACOE2    | —           | DACPSS     | —          | —        | 0-00 -0--         | 0-00 -0--                 |           |
| 119h          | DACCON1                | —  | —   | —   | DACR<4:0> |             |            |            |          | ---0 0000         | ---0 0000                 |           |
| 11Ah to 11Ch  | —                      | Unimplemented                                    |   |   |           |             |            |            |          |                   | —                         | —         |
| 11Dh          | APFCON                 | CWG1BSEL   | CWG1ASEL  | —   | —         | T1GSEL      | —          | CLC1SEL    | NCO1SEL  | 00-- 0-00         | 00-- 0-00                 |           |
| 11Eh          | —                      | Unimplemented                                    |   |   |           |             |            |            |          |                   | —                         | —         |
| 11Fh          | —                      | Unimplemented                                    |   |   |           |             |            |            |          |                   | —                         | —         |
| <b>Bank 3</b> |                        |  |   |   |           |             |            |            |          |                   |                           |           |
| 18Ch          | ANSELA                 | —  | —   | —   | ANSA4     | —           | ANSA2      | ANSA1      | ANSA0    | ---1 -111         | ---1 -111                 |           |
| 18Dh          | —                      | Unimplemented                                    |   |   |           |             |            |            |          |                   | —                         | —         |
| 18Eh          | —                      | Unimplemented                                    |   |   |           |             |            |            |          |                   | —                         | —         |
| 18Fh          | —                      | Unimplemented                                    |   |   |           |             |            |            |          |                   | —                         | —         |
| 190h          | —                      | Unimplemented                                    |   |   |           |             |            |            |          |                   | —                         | —         |
| 191h          | PMADRL                 | Flash Program Memory Address Register Low Byte   |   |   |           |             |            |            |          | 0000 0000         | 0000 0000                 |           |
| 192h          | PMADRH                 | —  | Flash Program Memory Address Register High Byte |   |           |             |            |            |          |                   | -000 0000                 | -000 0000 |
| 193h          | PMDATL                 | Flash Program Memory Read Data Register Low Byte |   |   |           |             |            |            |          | xxxx xxxx         | uuuu uuuu                 |           |
| 194h          | PMDATH                 | —  | —   | Flash Program Memory Read Data Register High Byte |           |             |            |            |          |                   | --xx xxxx                 | --uu uuuu |
| 195h          | PMCON1                 | — <sup>(2)</sup>                                 | CFGS  | LWLO  | FREE      | WRERR       | WREN       | WR         | RD       | 0000 x000         | 0000 q000                 |           |
| 196h          | PMCON2                 | Flash Program Memory Control Register 2          |   |   |           |             |            |            |          | 0000 0000         | 0000 0000                 |           |
| 197h          | VREGCON <sup>(1)</sup> | —  | —   | —   | —         | —           | —          | VREGPM     | Reserved | ---- -01          | ---- -01                  |           |
| 198h to 19Fh  | —                      | Unimplemented                                    |   |   |           |             |            |            |          |                   | —                         | —         |

**Legend:** x = unknown, u = unchanged, q = value depends on condition, - = unimplemented, r = reserved. Shaded locations are unimplemented, read as '0'.

**Note 1:** PIC12F1501 only.

**Note 2:** Unimplemented, read as '1'.

# PIC12(L)F1501

**TABLE 3-5: SPECIAL FUNCTION REGISTER SUMMARY (CONTINUED)**

| Address       | Name     | Bit 7          | Bit 6 | Bit 5  | Bit 4  | Bit 3  | Bit 2  | Bit 1      | Bit 0  | Value on POR, BOR | Value on all other Resets |
|---------------|----------|----------------|-------|--------|--------|--------|--------|------------|--------|-------------------|---------------------------|
| <b>Bank 4</b> |          |                |       |        |        |        |        |            |        |                   |                           |
| 20Ch          | WPUA     | —              | —     | WPUA5  | WPUA4  | WPUA3  | WPUA2  | WPUA1      | WPUA0  | --11 1111         | --11 1111                 |
| 20Dh to 21Fh  | —        | Unimplemented  |       |        |        |        |        |            |        | —                 | —                         |
| <b>Bank 5</b> |          |                |       |        |        |        |        |            |        |                   |                           |
| 28Ch to 29Fh  | —        | Unimplemented  |       |        |        |        |        |            |        | —                 | —                         |
| <b>Bank 6</b> |          |                |       |        |        |        |        |            |        |                   |                           |
| 30Ch to 31Fh  | —        | Unimplemented  |       |        |        |        |        |            |        | —                 | —                         |
| <b>Bank 7</b> |          |                |       |        |        |        |        |            |        |                   |                           |
| 38Ch to 390h  | —        | Unimplemented  |       |        |        |        |        |            |        | —                 | —                         |
| 391h          | IOCAP    | —              | —     | IOCAP5 | IOCAP4 | IOCAP3 | IOCAP2 | IOCAP1     | IOCAP0 | --00 0000         | --00 0000                 |
| 392h          | IOCAN    | —              | —     | IOCAN5 | IOCAN4 | IOCAN3 | IOCAN2 | IOCAN1     | IOCAN0 | --00 0000         | --00 0000                 |
| 393h          | IOCAF    | —              | —     | IOCAF5 | IOCAF4 | IOCAF3 | IOCAF2 | IOCAF1     | IOCAF0 | --00 0000         | --00 0000                 |
| 394h to 39Fh  | —        | Unimplemented  |       |        |        |        |        |            |        | —                 | —                         |
| <b>Bank 8</b> |          |                |       |        |        |        |        |            |        |                   |                           |
| 40Ch to 41Fh  | —        | Unimplemented  |       |        |        |        |        |            |        | —                 | —                         |
| <b>Bank 9</b> |          |                |       |        |        |        |        |            |        |                   |                           |
| 48Ch to 497h  | —        | Unimplemented  |       |        |        |        |        |            |        | —                 | —                         |
| 498h          | NCO1ACCL | NCO1ACC<7:0>   |       |        |        |        |        |            |        | 0000 0000         | 0000 0000                 |
| 499h          | NCO1ACCH | NCO1ACC<15:8>  |       |        |        |        |        |            |        | 0000 0000         | 0000 0000                 |
| 49Ah          | NCO1ACCU | NCO1ACC<19:16> |       |        |        |        |        |            |        | 0000 0000         | 0000 0000                 |
| 49Bh          | NCO1INCL | NCO1INC<7:0>   |       |        |        |        |        |            |        | 0000 0000         | 0000 0000                 |
| 49Ch          | NCO1INCH | NCO1INC<15:8>  |       |        |        |        |        |            |        | 0000 0000         | 0000 0000                 |
| 49Dh          | —        | Unimplemented  |       |        |        |        |        |            |        | —                 | —                         |
| 49Eh          | NCO1CON  | N1EN           | N1OE  | N1OUT  | N1POL  | —      | —      | —          | N1PFM  | 0000 ---0         | 0000 ---0                 |
| 49Fh          | NCO1CLK  | N1PWS<2:0>     |       |        | —      | —      | —      | N1CKS<1:0> |        | 0000 --00         | 0000 --00                 |

**Legend:** x = unknown, u = unchanged, q = value depends on condition, - = unimplemented, r = reserved. Shaded locations are unimplemented, read as '0'.

- Note 1:** PIC12F1501 only.  
**Note 2:** Unimplemented, read as '1'.

# PIC12(L)F1501

**TABLE 3-5: SPECIAL FUNCTION REGISTER SUMMARY (CONTINUED)**

| Address           | Name     | Bit 7         | Bit 6   | Bit 5        | Bit 4   | Bit 3  | Bit 2     | Bit 1    | Bit 0     | Value on POR, BOR | Value on all other Resets |
|-------------------|----------|---------------|---------|--------------|---------|--------|-----------|----------|-----------|-------------------|---------------------------|
| <b>Bank 10</b>    |          |               |         |              |         |        |           |          |           |                   |                           |
| 50Ch to 51Fh      | —        | Unimplemented |         |              |         |        |           |          |           | —                 | —                         |
| <b>Bank 11</b>    |          |               |         |              |         |        |           |          |           |                   |                           |
| 58Ch to 59Fh      | —        | Unimplemented |         |              |         |        |           |          |           | —                 | —                         |
| <b>Bank 12</b>    |          |               |         |              |         |        |           |          |           |                   |                           |
| 60Ch to 610h      | —        | Unimplemented |         |              |         |        |           |          |           | —                 | —                         |
| 611h              | PWM1DCL  | PWM1DCL<7:6>  |         | —            | —       | —      | —         | —        | —         | 00-- ----         | 00-- ----                 |
| 612h              | PWM1DCH  | PWM1DCH<7:0>  |         |              |         |        |           |          |           | xxxx xxxx         | uuuu uuuu                 |
| 613h              | PWM1CON0 | PWM1EN        | PWM1OE  | PWM1OUT      | PWM1POL | —      | —         | —        | —         | 0000 ----         | 0000 ----                 |
| 614h              | PWM2DCL  | PWM2DCL<7:6>  |         | —            | —       | —      | —         | —        | —         | 00-- ----         | 00-- ----                 |
| 615h              | PWM2DCH  | PWM2DCH<7:0>  |         |              |         |        |           |          |           | xxxx xxxx         | uuuu uuuu                 |
| 616h              | PWM2CON0 | PWM2EN        | PWM2OE  | PWM2OUT      | PWM2POL | —      | —         | —        | —         | 0000 ----         | 0000 ----                 |
| 617h              | PWM3DCL  | PWM3DCL<7:6>  |         | —            | —       | —      | —         | —        | —         | 00-- ----         | 00-- ----                 |
| 618h              | PWM3DCH  | PWM3DCH<7:0>  |         |              |         |        |           |          |           | xxxx xxxx         | uuuu uuuu                 |
| 619h              | PWM3CON0 | PWM3EN        | PWM3OE  | PWM3OUT      | PWM3POL | —      | —         | —        | —         | 0000 ----         | 0000 ----                 |
| 61Ah              | PWM4DCL  | PWM4DCL<7:6>  |         | —            | —       | —      | —         | —        | —         | 00-- ----         | 00-- ----                 |
| 61Bh              | PWM4DCH  | PWM4DCH<7:0>  |         |              |         |        |           |          |           | xxxx xxxx         | uuuu uuuu                 |
| 61Ch              | PWM4CON0 | PWM4EN        | PWM4OE  | PWM4OUT      | PWM4POL | —      | —         | —        | —         | 0000 ----         | 0000 ----                 |
| 61Dh to 61Fh      | —        | Unimplemented |         |              |         |        |           |          |           | —                 | —                         |
| <b>Bank 13</b>    |          |               |         |              |         |        |           |          |           |                   |                           |
| 68Ch to 690h      | —        | Unimplemented |         |              |         |        |           |          |           | —                 | —                         |
| 691h              | CWG1DBR  | —             | —       | CWG1DBR<5:0> |         |        |           |          |           | --00 0000         | --00 0000                 |
| 692h              | CWG1DBF  | —             | —       | CWG1DBF<5:0> |         |        |           |          |           | --xx xxxxx        | --xx xxxxx                |
| 693h              | CWG1CON0 | G1EN          | G1OEB   | G1OEA        | G1POLB  | G1POLA | —         | —        | G1CS0     | 0000 0--0         | 0000 0--0                 |
| 694h              | CWG1CON1 | G1ASDLB<1:0>  |         | G1ASDLA<1:0> |         | —      | G1IS<2:0> |          |           | 0000 -000         | 0000 -000                 |
| 695h              | CWG1CON2 | G1ASE         | G1ARSEN | —            | —       | —      | G1ASDC1   | G1ASDFLT | G1ASDCLC2 | 00-- -000         | 00-- -000                 |
| 696h to 69Fh      | —        | Unimplemented |         |              |         |        |           |          |           | —                 | —                         |
| <b>Bank 14-29</b> |          |               |         |              |         |        |           |          |           |                   |                           |

**Legend:** x = unknown, u = unchanged, c = value depends on condition, - = unimplemented, r = reserved. Shaded locations are unimplemented, read as '0'.

**Note 1:** PIC12F1501 only.

**2:** Unimplemented, read as '1'.

# PIC12(L)F1501

**TABLE 3-5: SPECIAL FUNCTION REGISTER SUMMARY (CONTINUED)**

| Address                             | Name     | Bit 7         | Bit 6       | Bit 5    | Bit 4    | Bit 3    | Bit 2        | Bit 1    | Bit 0    | Value on POR, BOR | Value on all other Resets |
|-------------------------------------|----------|---------------|-------------|----------|----------|----------|--------------|----------|----------|-------------------|---------------------------|
| <b>Banks 14-29</b>                  |          |               |             |          |          |          |              |          |          |                   |                           |
| x0Ch/<br>x8Ch<br>—<br>x1Fh/<br>x9Fh | —        | Unimplemented |             |          |          |          |              |          |          | —                 | —                         |
| <b>Bank 30</b>                      |          |               |             |          |          |          |              |          |          |                   |                           |
| F0Ch<br>to<br>F0Eh                  | —        | Unimplemented |             |          |          |          |              |          |          | —                 | —                         |
| F0Fh                                | CLCDATA  | —             | —           | —        | —        | —        | —            | MLC1OUT  | MLC2OUT  | ---- --00         | ---- --00                 |
| F10h                                | CLC1CON  | LC1EN         | LC1OE       | LC1OUT   | LC1INTP  | LC1INTN  | LC1MODE<2:0> |          |          | 0000 0000         | 0000 0000                 |
| F11h                                | CLC1POL  | LC1POL        | —           | —        | —        | LC1G4POL | LC1G3POL     | LC1G2POL | LC1G1POL | 0--- xxxx         | 0--- uuuu                 |
| F12h                                | CLC1SEL0 | —             | LC1D2S<2:0> |          |          | —        | LC1D1S<2:0>  |          |          | -xxx -xxx         | -uuu -uuu                 |
| F13h                                | CLC1SEL1 | —             | LC1D4S<2:0> |          |          | —        | LC1D3S<2:0>  |          |          | -xxx -xxx         | -uuu -uuu                 |
| F14h                                | CLC1GLS0 | LC1G1D4T      | LC1G1D4N    | LC1G1D3T | LC1G1D3N | LC1G1D2T | LC1G1D2N     | LC1G1D1T | LC1G1D1N | xxxx xxxx         | uuuu uuuu                 |
| F15h                                | CLC1GLS1 | LC1G2D4T      | LC1G2D4N    | LC1G2D3T | LC1G2D3N | LC1G2D2T | LC1G2D2N     | LC1G2D1T | LC1G2D1N | xxxx xxxx         | uuuu uuuu                 |
| F16h                                | CLC1GLS2 | LC1G3D4T      | LC1G3D4N    | LC1G3D3T | LC1G3D3N | LC1G3D2T | LC1G3D2N     | LC1G3D1T | LC1G3D1N | xxxx xxxx         | uuuu uuuu                 |
| F17h                                | CLC1GLS3 | LC1G4D4T      | LC1G4D4N    | LC1G4D3T | LC1G4D3N | LC1G4D2T | LC1G4D2N     | LC1G4D1T | LC1G4D1N | xxxx xxxx         | uuuu uuuu                 |
| F18h                                | CLC2CON  | LC2EN         | LC2OE       | LC2OUT   | LC2INTP  | LC2INTN  | LC2MODE<2:0> |          |          | 0000 0000         | 0000 0000                 |
| F19h                                | CLC2POL  | LC2POL        | —           | —        | —        | LC2G4POL | LC2G3POL     | LC2G2POL | LC2G1POL | 0--- xxxx         | 0--- uuuu                 |
| F1Ah                                | CLC2SEL0 | —             | LC2D2S<2:0> |          |          | —        | LC2D1S<2:0>  |          |          | -xxx -xxx         | -uuu -uuu                 |
| F1Bh                                | CLC2SEL1 | —             | LC2D4S<2:0> |          |          | —        | LC2D3S<2:0>  |          |          | -xxx -xxx         | -uuu -uuu                 |
| F1Ch                                | CLC2GLS0 | LC2G1D4T      | LC2G1D4N    | LC2G1D3T | LC2G1D3N | LC2G1D2T | LC2G1D2N     | LC2G1D1T | LC2G1D1N | xxxx xxxx         | uuuu uuuu                 |
| F1Dh                                | CLC2GLS1 | LC2G2D4T      | LC2G2D4N    | LC2G2D3T | LC2G2D3N | LC2G2D2T | LC2G2D2N     | LC2G2D1T | LC2G2D1N | xxxx xxxx         | uuuu uuuu                 |
| F1Eh                                | CLC2GLS2 | LC2G3D4T      | LC2G3D4N    | LC2G3D3T | LC2G3D3N | LC2G3D2T | LC2G3D2N     | LC2G3D1T | LC2G3D1N | xxxx xxxx         | uuuu uuuu                 |
| F1Fh                                | CLC2GLS3 | LC2G4D4T      | LC2G4D4N    | LC2G4D3T | LC2G4D3N | LC2G4D2T | LC2G4D2N     | LC2G4D1T | LC2G4D1N | xxxx xxxx         | uuuu uuuu                 |
| F20h<br>to<br>F6Fh                  | —        | Unimplemented |             |          |          |          |              |          |          | —                 | —                         |

**Legend:** x = unknown, u = unchanged, q = value depends on condition, - = unimplemented, r = reserved. Shaded locations are unimplemented, read as '0'.  
**Note 1:** PIC12F1501 only.  
**Note 2:** Unimplemented, read as '1'.

# PIC12(L)F1501

**TABLE 3-5: SPECIAL FUNCTION REGISTER SUMMARY (CONTINUED)**

| Address           | Name        | Bit 7  | Bit 6                                      | Bit 5 | Bit 4                       | Bit 3 | Bit 2  | Bit 1   | Bit 0  | Value on POR, BOR | Value on all other Resets |           |
|-------------------|-------------|--|--|-------|-----------------------------|-------|--------|---------|--------|-------------------|---------------------------|-----------|
| <b>Bank 31</b>    |             |  |  |       |                             |       |        |         |        |                   |                           |           |
| F8Ch<br>—<br>FE3h | —           | Unimplemented                                      |  |       |                             |       |        |         |        | —                 | —                         |           |
| FE4h              | STATUS_SHAD | —  | —  | —     | —                           | —     | Z_SHAD | DC_SHAD | C_SHAD | ---- -xxx         | ---- -uuu                 |           |
| FE5h              | WREG_SHAD   | Working Register Shadow                            |  |       |                             |       |        |         |        | xxxx xxxx         | uuuu uuuu                 |           |
| FE6h              | BSR_SHAD    | —  | —  | —     | Bank Select Register Shadow |       |        |         |        | ---x xxxx         | ---u uuuu                 |           |
| FE7h              | PCLATH_SHAD | —  | Program Counter Latch High Register Shadow |       |                             |       |        |         |        |                   | -xxx xxxx                 | uuuu uuuu |
| FE8h              | FSR0L_SHAD  | Indirect Data Memory Address 0 Low Pointer Shadow  |  |       |                             |       |        |         |        | xxxx xxxx         | uuuu uuuu                 |           |
| FE9h              | FSR0H_SHAD  | Indirect Data Memory Address 0 High Pointer Shadow |  |       |                             |       |        |         |        | xxxx xxxx         | uuuu uuuu                 |           |
| FEAh              | FSR1L_SHAD  | Indirect Data Memory Address 1 Low Pointer Shadow  |  |       |                             |       |        |         |        | xxxx xxxx         | uuuu uuuu                 |           |
| FEBh              | FSR1H_SHAD  | Indirect Data Memory Address 1 High Pointer Shadow |  |       |                             |       |        |         |        | xxxx xxxx         | uuuu uuuu                 |           |
| FECh              | —           | Unimplemented                                      |  |       |                             |       |        |         |        | —                 | —                         |           |
| FEDh              | STKPTR      | —  | —  | —     | Current Stack Pointer       |       |        |         |        | ---1 1111         | ---1 1111                 |           |
| FEEh              | TOSL        | Top-of-Stack Low byte                              |  |       |                             |       |        |         |        | xxxx xxxx         | uuuu uuuu                 |           |
| FEFh              | TOSH        | —  | Top-of-Stack High byte                     |       |                             |       |        |         |        |                   | -xxx xxxx                 | -uuu uuuu |

**Legend:** x = unknown, u = unchanged, q = value depends on condition, - = unimplemented, r = reserved. Shaded locations are unimplemented, read as '0'.

**Note 1:** PIC12F1501 only.

**Note 2:** Unimplemented, read as '1'.

## 3.3 PCL and PCLATH

The Program Counter (PC) is 15 bits wide. The low byte comes from the PCL register, which is a readable and writable register. The high byte (PC<14:8>) is not directly readable or writable and comes from PCLATH. On any Reset, the PC is cleared. Figure 3-3 shows the five situations for the loading of the PC.

**FIGURE 3-3: LOADING OF PC IN DIFFERENT SITUATIONS**



### 3.3.1 MODIFYING PCL

Executing any instruction with the PCL register as the destination simultaneously causes the Program Counter PC<14:8> bits (PCH) to be replaced by the contents of the PCLATH register. This allows the entire contents of the program counter to be changed by writing the desired upper 7 bits to the PCLATH register. When the lower 8 bits are written to the PCL register, all 15 bits of the program counter will change to the values contained in the PCLATH register and those being written to the PCL register.

### 3.3.2 COMPUTED GOTO

A computed `GOTO` is accomplished by adding an offset to the program counter (`ADDWF PCL`). When performing a table read using a computed `GOTO` method, care should be exercised if the table location crosses a PCL memory boundary (each 256-byte block). Refer to Application Note AN556, "Implementing a Table Read" (DS00556).

### 3.3.3 COMPUTED FUNCTION CALLS

A computed function `CALL` allows programs to maintain tables of functions and provide another way to execute state machines or look-up tables. When performing a table read using a computed function `CALL`, care should be exercised if the table location crosses a PCL memory boundary (each 256-byte block).

If using the `CALL` instruction, the PCH<2:0> and PCL registers are loaded with the operand of the `CALL` instruction. PCH<6:3> is loaded with PCLATH<6:3>.

The `CALLW` instruction enables computed calls by combining PCLATH and W to form the destination address. A computed `CALLW` is accomplished by loading the W register with the desired address and executing `CALLW`. The PCL register is loaded with the value of W and PCH is loaded with PCLATH.

### 3.3.4 BRANCHING

The branching instructions add an offset to the PC. This allows relocatable code and code that crosses page boundaries. There are two forms of branching, `BRW` and `BRA`. The PC will have incremented to fetch the next instruction in both cases. When using either branching instruction, a PCL memory boundary may be crossed.

If using `BRW`, load the W register with the desired unsigned address and execute `BRW`. The entire PC will be loaded with the address `PC + 1 + W`.

If using `BRA`, the entire PC will be loaded with `PC + 1 +`, the signed value of the operand of the `BRA` instruction.

# PIC12(L)F1501

## 3.4 Stack

All devices have a 16-level x 15-bit wide hardware stack (refer to Figures 3-4 through 3-7). The stack space is not part of either program or data space. The PC is PUSHed onto the stack when `CALL` or `CALLW` instructions are executed or an interrupt causes a branch. The stack is POPed in the event of a `RETURN`, `RETLW` or a `RETFIE` instruction execution. `PCLATH` is not affected by a `PUSH` or `POP` operation.

The stack operates as a circular buffer if the `STVREN` bit is programmed to '0' (Configuration Words). This means that after the stack has been PUSHed sixteen times, the seventeenth PUSH overwrites the value that was stored from the first PUSH. The eighteenth PUSH overwrites the second PUSH (and so on). The `STKOVF` and `STKUNF` flag bits will be set on an Overflow/Underflow, regardless of whether the Reset is enabled.

**Note 1:** There are no instructions/mnemonics called `PUSH` or `POP`. These are actions that occur from the execution of the `CALL`, `CALLW`, `RETURN`, `RETLW` and `RETFIE` instructions or the vectoring to an interrupt address.

### 3.4.1 ACCESSING THE STACK

The stack is available through the `TOSH`, `TOSL` and `STKPTR` registers. `STKPTR` is the current value of the Stack Pointer. `TOSH:TOSL` register pair points to the TOP of the stack. Both registers are read/writable. `TOS` is split into `TOSH` and `TOSL` due to the 15-bit size of the PC. To access the stack, adjust the value of `STKPTR`, which will position `TOSH:TOSL`, then read/write to `TOSH:TOSL`. `STKPTR` is 5 bits to allow detection of overflow and underflow.

**Note:** Care should be taken when modifying the `STKPTR` while interrupts are enabled.

During normal program operation, `CALL`, `CALLW` and Interrupts will increment `STKPTR` while `RETLW`, `RETURN`, and `RETFIE` will decrement `STKPTR`. At any time, `STKPTR` can be inspected to see how much stack is left. The `STKPTR` always points at the currently used place on the stack. Therefore, a `CALL` or `CALLW` will increment the `STKPTR` and then write the PC, and a return will unload the PC and then decrement the `STKPTR`.

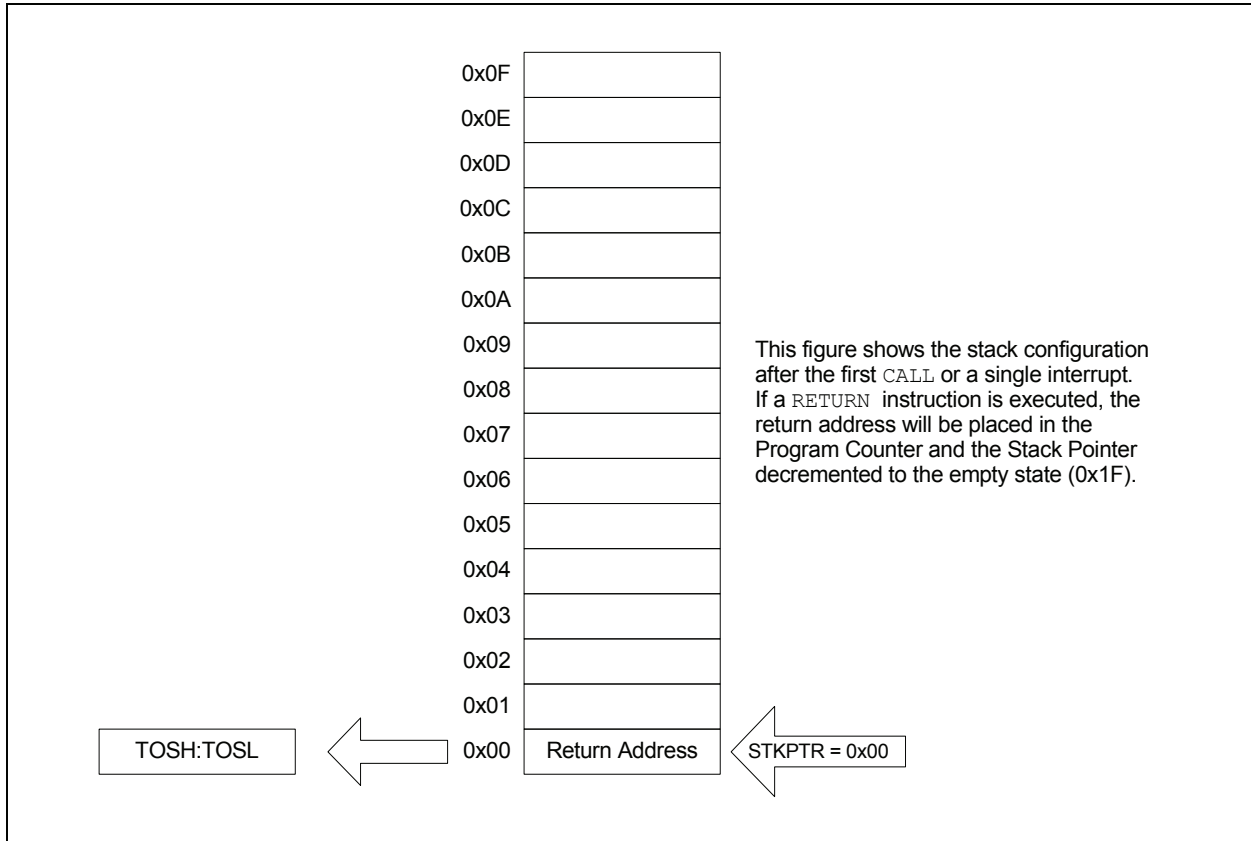
Reference Figure 3-4 through Figure 3-7 for examples of accessing the stack.

**FIGURE 3-4: ACCESSING THE STACK EXAMPLE 1**

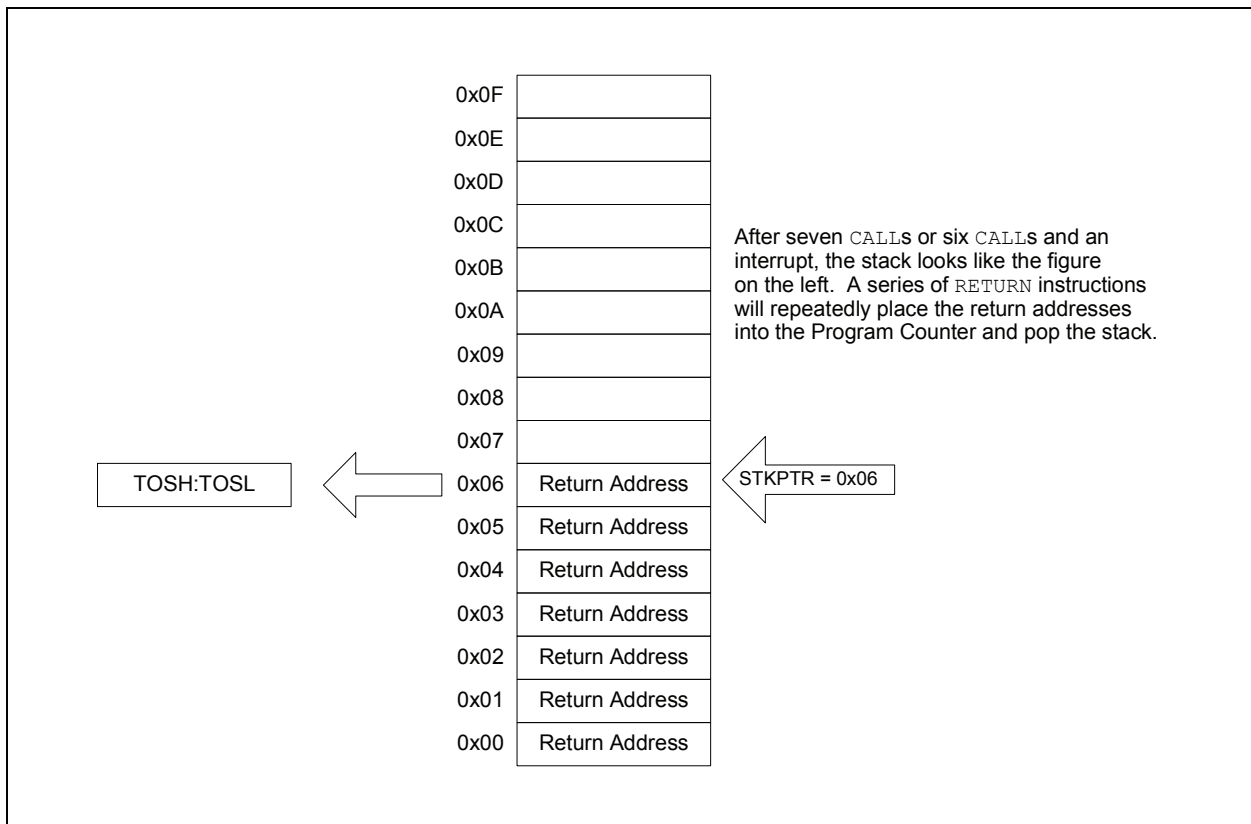




**FIGURE 3-5: ACCESSING THE STACK EXAMPLE 2**

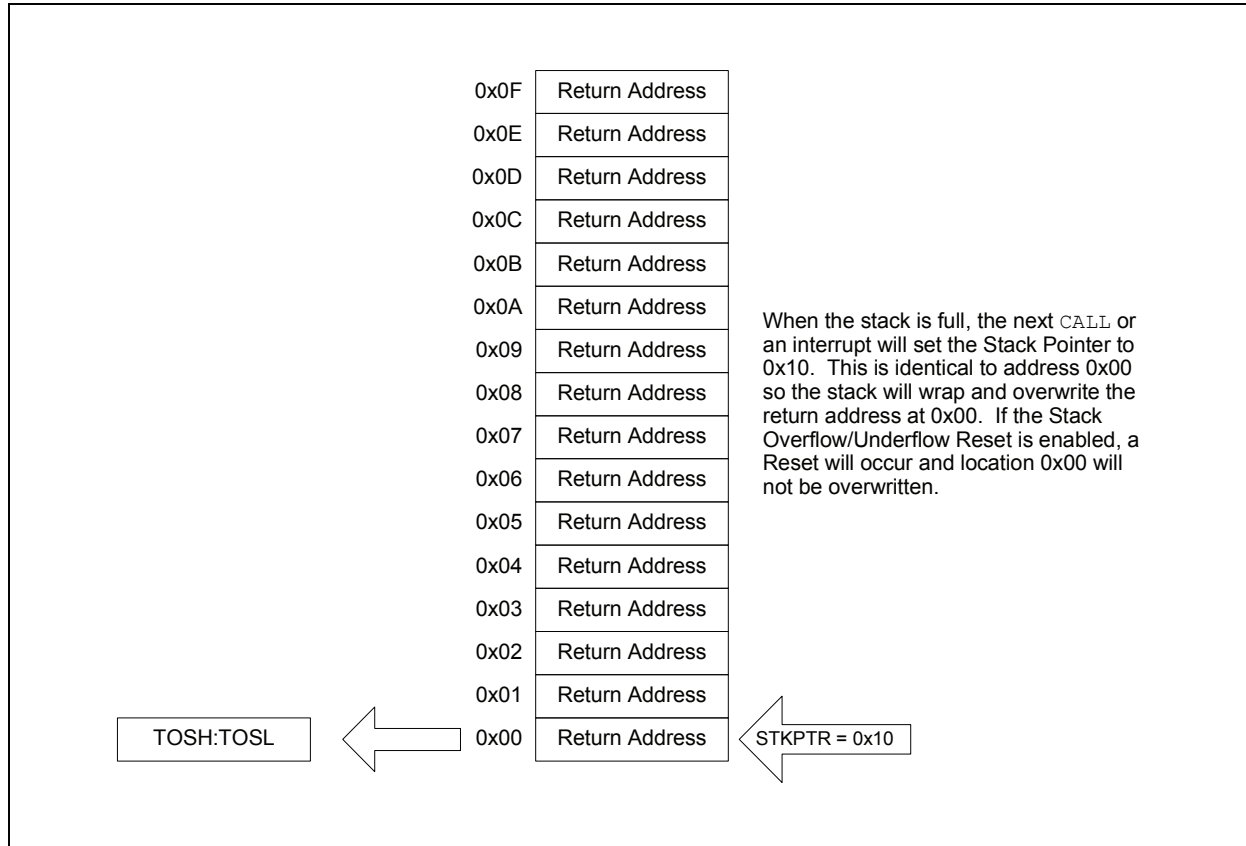


**FIGURE 3-6: ACCESSING THE STACK EXAMPLE 3**



# PIC12(L)F1501

FIGURE 3-7: ACCESSING THE STACK EXAMPLE 4



### 3.4.2 OVERFLOW/UNDERFLOW RESET

If the STVREN bit in Configuration Words is programmed to '1', the device will be reset if the stack is PUSHed beyond the sixteenth level or POPed beyond the first level, setting the appropriate bits (STKOVF or STKUNF, respectively) in the PCON register.

## 3.5 Indirect Addressing

The INDFn registers are not physical registers. Any instruction that accesses an INDFn register actually accesses the register at the address specified by the File Select Registers (FSR). If the FSRn address specifies one of the two INDFn registers, the read will return '0' and the write will not occur (though Status bits may be affected). The FSRn register value is created by the pair FSRnH and FSRnL.

The FSR registers form a 16-bit address that allows an addressing space with 65536 locations. These locations are divided into three memory regions:

- Traditional Data Memory
- Linear Data Memory
- Program Flash Memory

**FIGURE 3-8: INDIRECT ADDRESSING**

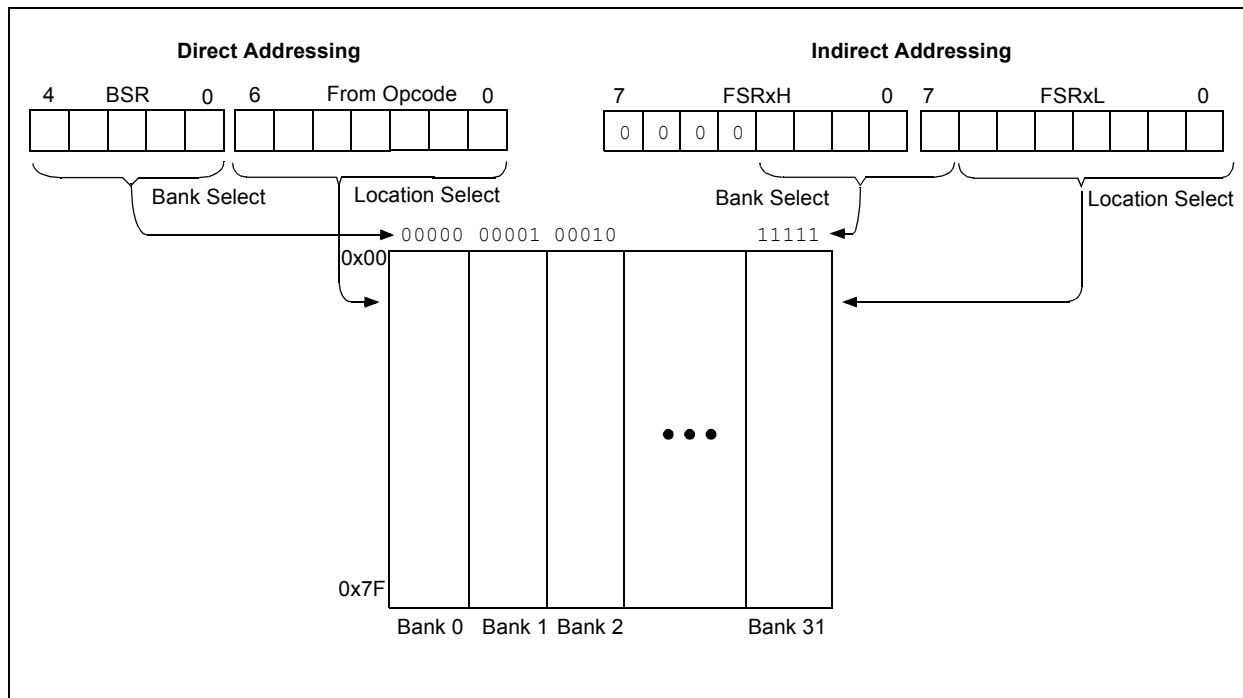


# PIC12(L)F1501

## 3.5.1 TRADITIONAL DATA MEMORY

The traditional data memory is a region from FSR address 0x000 to FSR address 0xFFF. The addresses correspond to the absolute addresses of all SFR, GPR and common registers.

**FIGURE 3-9: TRADITIONAL DATA MEMORY MAP**



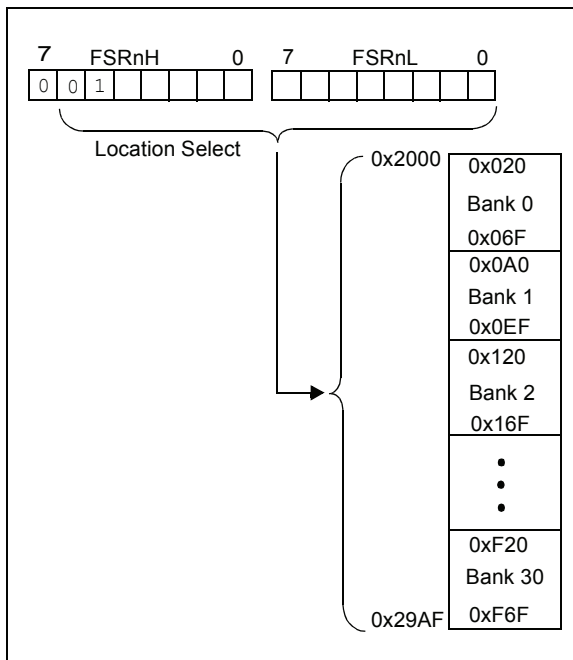
## 3.5.2 LINEAR DATA MEMORY

The linear data memory is the region from FSR address 0x2000 to FSR address 0x29AF. This region is a virtual region that points back to the 80-byte blocks of GPR memory in all the banks.

Unimplemented memory reads as 0x00. Use of the linear data memory region allows buffers to be larger than 80 bytes because incrementing the FSR beyond one bank will go directly to the GPR memory of the next bank.

The 16 bytes of common memory are not included in the linear data memory region.

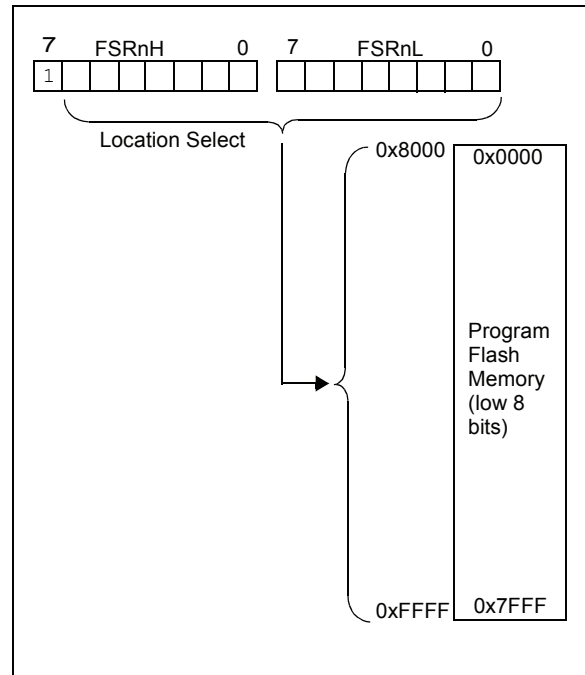
**FIGURE 3-10: LINEAR DATA MEMORY MAP**



## 3.5.3 PROGRAM FLASH MEMORY

To make constant data access easier, the entire program Flash memory is mapped to the upper half of the FSR address space. When the MSB of FSRnH is set, the lower 15 bits are the address in program memory which will be accessed through INDF. Only the lower 8 bits of each memory location is accessible via INDF. Writing to the program Flash memory cannot be accomplished via the FSR/INDF interface. All instructions that access program Flash memory via the FSR/INDF interface will require one additional instruction cycle to complete.

**FIGURE 3-11: PROGRAM FLASH MEMORY MAP**



# PIC12(L)F1501

---

NOTES:

## 4.0 DEVICE CONFIGURATION

Device Configuration consists of Configuration Words, Code Protection and Device ID.

### 4.1 Configuration Words

There are several Configuration Word bits that allow different oscillator and memory protection options. These are implemented as Configuration Word 1 at 8007h and Configuration Word 2 at 8008h.

# PIC12(L)F1501

## REGISTER 4-1: CONFIG1: CONFIGURATION WORD 1

|        |     |          |            |       |     |       |
|--------|-----|----------|------------|-------|-----|-------|
| U-1    | U-1 | R/P-1    | R/P-1      | R/P-1 | U-1 |       |
| —      | —   | CLKOUTEN | BOREN<1:0> |       | —   |       |
| bit 13 |     |          |            |       |     | bit 8 |

|                        |       |   |           |       |       |           |       |
|------------------------|-------|---|-----------|-------|-------|-----------|-------|
| R/P-1                  | R/P-1 | R/P-1                                       | R/P-1     | R/P-1 | U-1   | R/P-1     | R/P-1 |
| $\overline{\text{CP}}$ | MCLRE | $\overline{\text{PWRT}}\overline{\text{E}}$ | WDTE<1:0> |       | —     | FOSC<1:0> |       |
| bit 7                  |       |   |           |       | bit 0 |           |       |

### Legend:

R = Readable bit      P = Programmable bit      U = Unimplemented bit, read as '1'  
 '0' = Bit is cleared      '1' = Bit is set      -n = Value when blank or after Bulk Erase

- bit 13-12      **Unimplemented:** Read as '1'
- bit 11      **CLKOUTEN:** Clock Out Enable bit  
 1 = CLKOUT function is disabled. I/O function on the CLKOUT pin  
 0 = CLKOUT function is enabled on the CLKOUT pin
- bit 10-9      **BOREN<1:0>:** Brown-out Reset Enable bits<sup>(1)</sup>  
 11 = BOR enabled  
 10 = BOR enabled during operation and disabled in Sleep  
 01 = BOR controlled by SBOREN bit of the BORCON register  
 00 = BOR disabled
- bit 8      **Unimplemented:** Read as '1'
- bit 7      **CP:** Code Protection bit<sup>(2)</sup>  
 1 = Program memory code protection is disabled  
 0 = Program memory code protection is enabled
- bit 6      **MCLRE:** MCLR/VPP Pin Function Select bit  
**If LVP bit = 1:**  
 This bit is ignored.  
**If LVP bit = 0:**  
 1 = MCLR/VPP pin function is MCLR; Weak pull-up enabled.  
 0 = MCLR/VPP pin function is digital input; MCLR internally disabled; Weak pull-up under control of WPUE3 bit.
- bit 5      **PWRT $\overline{\text{E}}$ :** Power-Up Timer Enable bit  
 1 = PWRT disabled  
 0 = PWRT enabled
- bit 4-3      **WDTE<1:0>:** Watchdog Timer Enable bits  
 11 = WDT enabled  
 10 = WDT enabled while running and disabled in Sleep  
 01 = WDT controlled by the SWDTEN bit in the WDTCON register  
 00 = WDT disabled
- bit 2      **Unimplemented:** Read as '1'
- bit 1-0      **FOSC<1:0>:** Oscillator Selection bits  
 11 = ECH: External Clock, High-Power mode: on CLKIN pin  
 10 = ECM: External Clock, Medium-Power mode: on CLKIN pin  
 01 = ECL: External Clock, Low-Power mode: on CLKIN pin  
 00 = INTOSC oscillator: I/O function on CLKIN pin

- Note 1:** Enabling Brown-out Reset does not automatically enable Power-up Timer.  
**Note 2:** Once enabled, code-protect can only be disabled by bulk erasing the device.



## REGISTER 4-2: CONFIG2: CONFIGURATION WORD 2

|        |     |       |       |        |       |
|--------|-----|-------|-------|--------|-------|
| R/P-1  | U-1 | R/P-1 | R/P-1 | R/P-1  | U-1   |
| LVP    | —   | LPBOR | BORV  | STVREN | —     |
| bit 13 |     |       |       |        | bit 8 |

|       |     |     |     |     |     |          |       |
|-------|-----|-----|-----|-----|-----|----------|-------|
| U-1   | U-1 | U-1 | U-1 | U-1 | U-1 | R/P-1    | R/P-1 |
| —     | —   | —   | —   | —   | —   | WRT<1:0> |       |
| bit 7 |     |     |     |     |     | bit 0    |       |

### Legend:

R = Readable bit                      P = Programmable bit                      U = Unimplemented bit, read as '1'  
 '0' = Bit is cleared                      '1' = Bit is set                                      -n = Value when blank or after Bulk Erase

- bit 13            **LVP:** Low-Voltage Programming Enable bit<sup>(1)</sup>  
                   1 = Low-voltage programming enabled  
                   0 = High-voltage on MCLR must be used for programming
- bit 12            **Unimplemented:** Read as '1'
- bit 11            **LPBOR:** Low-Power BOR Enable bit  
                   1 = Low-Power Brown-out Reset is disabled  
                   0 = Low-Power Brown-out Reset is enabled
- bit 10            **BORV:** Brown-out Reset Voltage Selection bit<sup>(2)</sup>  
                   1 = Brown-out Reset voltage (*Vbor*), low trip point selected  
                   0 = Brown-out Reset voltage (*Vbor*), high trip point selected
- bit 9             **STVREN:** Stack Overflow/Underflow Reset Enable bit  
                   1 = Stack Overflow or Underflow will cause a Reset  
                   0 = Stack Overflow or Underflow will not cause a Reset
- bit 8-2           **Unimplemented:** Read as '1'
- bit 1-0           **WRT<1:0>:** Flash Memory Self-Write Protection bits  
                   1 kW Flash memory:  
                   11 = Write protection off  
                   10 = 000h to 0FFh write-protected, 100h to 3FFh may be modified  
                   01 = 000h to 1FFh write-protected, 200h to 3FFh may be modified  
                   00 = 000h to 3FFh write-protected, no addresses may be modified

- Note 1:** The LVP bit cannot be programmed to '0' when Programming mode is entered via LVP.  
**Note 2:** See *Vbor* parameter for specific trip point voltages.

# PIC12(L)F1501

---

## 4.2 Code Protection

Code protection allows the device to be protected from unauthorized access. Internal access to the program memory is unaffected by any code protection setting.

### 4.2.1 PROGRAM MEMORY PROTECTION

The entire program memory space is protected from external reads and writes by the  $\overline{CP}$  bit in Configuration Words. When  $\overline{CP} = 0$ , external reads and writes of program memory are inhibited and a read will return all '0's. The CPU can continue to read program memory, regardless of the protection bit settings. Writing the program memory is dependent upon the write protection setting. See [Section 4.3 "Write Protection"](#) for more information.

## 4.3 Write Protection

Write protection allows the device to be protected from unintended self-writes. Applications, such as bootloader software, can be protected while allowing other regions of the program memory to be modified.

The WRT<1:0> bits in Configuration Words define the size of the program memory block that is protected.

## 4.4 User ID

Four memory locations (8000h-8003h) are designated as ID locations where the user can store checksum or other code identification numbers. These locations are readable and writable during normal execution. See [Section 10.4 "User ID, Device ID and Configuration Word Access"](#) for more information on accessing these memory locations. For more information on checksum calculation, see the "*PIC12(L)F1501/PIC16(L)F150X Memory Programming Specification*" (DS41573).

## 4.5 Device ID and Revision ID

The memory location 8006h is where the Device ID and Revision ID are stored. The upper nine bits hold the Device ID. The lower five bits hold the Revision ID. See [Section 10.4 “User ID, Device ID and Configuration Word Access”](#) for more information on accessing these memory locations.

Development tools, such as device programmers and debuggers, may be used to read the Device ID and Revision ID.

### REGISTER 4-3: DEVICEID: DEVICE ID REGISTER

|          |   |   |       |   |   |
|----------|---|---|-------|---|---|
| R        | R | R | R     | R | R |
| DEV<8:3> |   |   |       |   |   |
| bit 13   |   |   | bit 8 |   |   |

|          |   |   |          |   |   |   |   |
|----------|---|---|----------|---|---|---|---|
| R        | R | R | R        | R | R | R | R |
| DEV<2:0> |   |   | REV<4:0> |   |   |   |   |
| bit 7    |   |   | bit 0    |   |   |   |   |

#### Legend:

R = Readable bit

W = Writable bit

U = Unimplemented bit, read as '1'

u = Bit is unchanged

x = Bit is unknown

-n/n = Value at POR and BOR/Value at all other Resets

'1' = Bit is set

'0' = Bit is cleared

P = Programmable bit

bit 13-5      **DEV<8:0>**: Device ID bits

| Device      | DEVICEID<13:0> Values |          |
|-------------|-----------------------|----------|
|             | DEV<8:0>              | REV<4:0> |
| PIC12F1501  | 10 1100 110           | x xxxx   |
| PIC12LF1501 | 10 1101 100           | x xxxx   |

bit 4-0      **REV<4:0>**: Revision ID bits

These bits are used to identify the revision (see Table under DEV<8:0> above).

# PIC12(L)F1501

---

NOTES:

## 5.0 OSCILLATOR MODULE

### 5.1 Overview

The oscillator module has a wide variety of clock sources and selection features that allow it to be used in a wide range of applications while maximizing performance and minimizing power consumption. Figure 5-1 illustrates a block diagram of the oscillator module.

The oscillator module can be configured in one of the following clock modes.

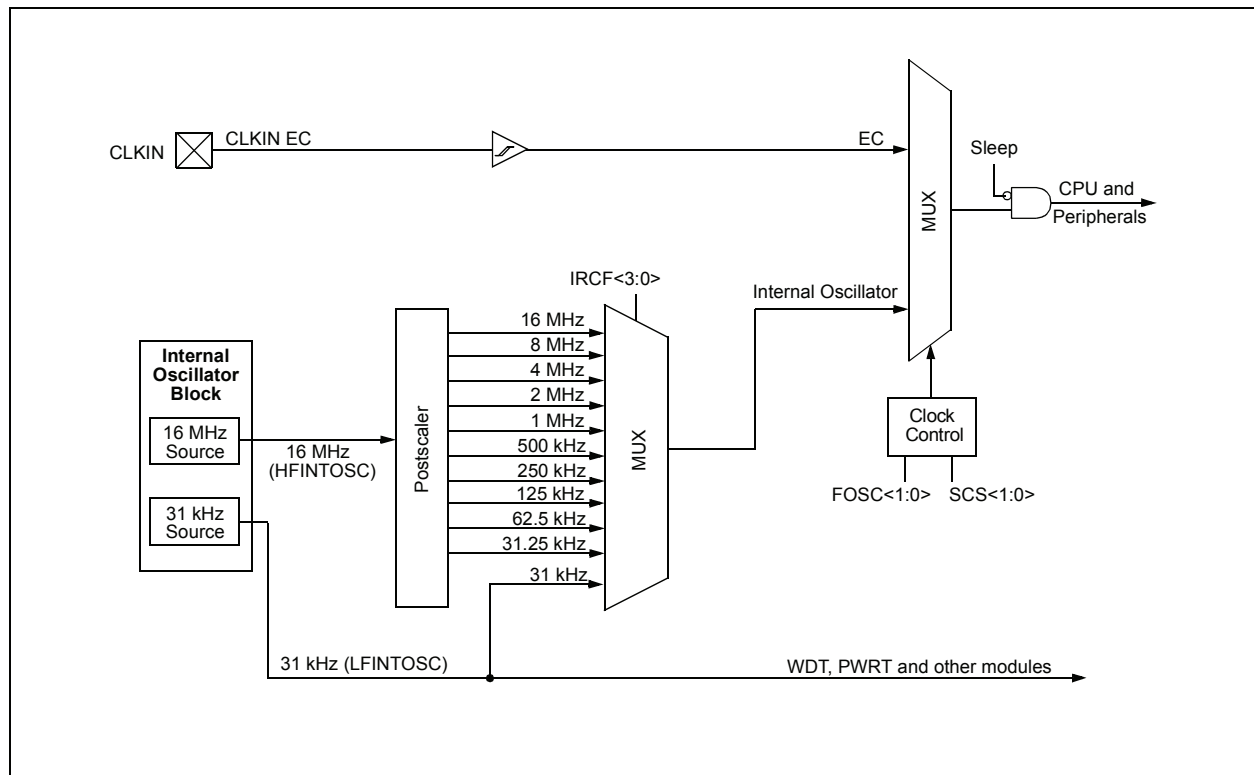
1. ECL – External Clock Low-Power mode (0 MHz to 0.5 MHz)
2. ECM – External Clock Medium-Power mode (0.5 MHz to 4 MHz)
3. ECH – External Clock High-Power mode (4 MHz to 20 MHz)
4. INTOSC – Internal oscillator (31 kHz to 16 MHz)

Clock Source modes are selected by the FOSC<1:0> bits in the Configuration Words. The FOSC bits determine the type of oscillator that will be used when the device is first powered.

The EC clock mode relies on an external logic level signal as the device clock source.

The INTOSC internal oscillator block produces low and high-frequency clock sources, designated LFINTOSC and HFINTOSC. (see Internal Oscillator Block, Figure 5-1). A wide selection of device clock frequencies may be derived from these clock sources.

**FIGURE 5-1: SIMPLIFIED PIC® MCU CLOCK SOURCE BLOCK DIAGRAM**



# PIC12(L)F1501

## 5.2 Clock Source Types

Clock sources can be classified as external or internal.

External clock sources rely on external circuitry for the clock source to function. Examples are: oscillator modules (EC mode).

Internal clock sources are contained within the oscillator module. The oscillator block has two internal oscillators that are used to generate two system clock sources: the 16 MHz High-Frequency Internal Oscillator (HFINTOSC) and the 31 kHz Low-Frequency Internal Oscillator (LFINTOSC).

The system clock can be selected between external or internal clock sources via the System Clock Select (SCS) bits in the OSCCON register. See [Section 5.3 “Clock Switching”](#) for additional information.

### 5.2.1 EXTERNAL CLOCK SOURCES

An external clock source can be used as the device system clock by performing one of the following actions:

- Program the FOSC<1:0> bits in the Configuration Words to select an external clock source that will be used as the default system clock upon a device Reset.
- Clear the SCS<1:0> bits in the OSCCON register to switch the system clock source to:
  - An external clock source determined by the value of the FOSC bits.

See [Section 5.3 “Clock Switching”](#) for more information.

#### 5.2.1.1 EC Mode

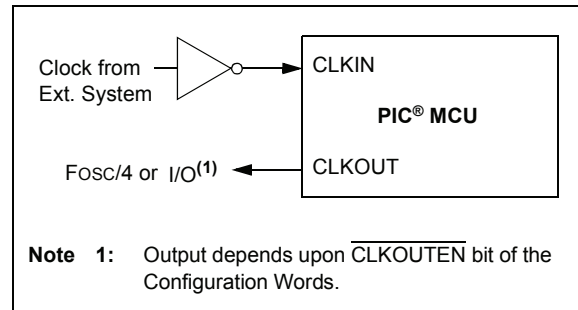
The External Clock (EC) mode allows an externally generated logic level signal to be the system clock source. When operating in this mode, an external clock source is connected to the CLKIN input. CLKOUT is available for general purpose I/O or CLKOUT. [Figure 5-2](#) shows the pin connections for EC mode.

EC mode has 3 power modes to select from through Configuration Words:

- High power, 4-20 MHz (FOSC = 11)
- Medium power, 0.5-4 MHz (FOSC = 10)
- Low power, 0-0.5 MHz (FOSC = 01)

When EC mode is selected, there is no delay in operation after a Power-on Reset (POR) or wake-up from Sleep. Because the PIC® MCU design is fully static, stopping the external clock input will have the effect of halting the device while leaving all data intact. Upon restarting the external clock, the device will resume operation as if no time had elapsed.

**FIGURE 5-2: EXTERNAL CLOCK (EC) MODE OPERATION**



## 5.2.2 INTERNAL CLOCK SOURCES

The device may be configured to use the internal oscillator block as the system clock by performing one of the following actions:

- Program the FOSC<1:0> bits in Configuration Words to select the INTOSC clock source, which will be used as the default system clock upon a device Reset.
- Write the SCS<1:0> bits in the OSCCON register to switch the system clock source to the internal oscillator during run-time. See [Section 5.3 “Clock Switching”](#) for more information.

In **INTOSC** mode, CLKIN is available for general purpose I/O. CLKOUT is available for general purpose I/O or CLKOUT.

The function of the CLKOUT pin is determined by the **CLKOUTEN** bit in Configuration Words.

The internal oscillator block has two independent oscillators clock sources.

1. The **HFINTOSC** (High-Frequency Internal Oscillator) is factory calibrated and operates at 16 MHz.
2. The **LFINTOSC** (Low-Frequency Internal Oscillator) is uncalibrated and operates at 31 kHz.

### 5.2.2.1 HFINTOSC

The High-Frequency Internal Oscillator (HFINTOSC) is a factory calibrated 16 MHz internal clock source.

The outputs of the HFINTOSC connects to a prescaler and multiplexer (see [Figure 5-1](#)). One of multiple frequencies derived from the HFINTOSC can be selected via software using the IRCF<3:0> bits of the OSCCON register. See [Section 5.2.2.4 “Internal Oscillator Clock Switch Timing”](#) for more information.

The HFINTOSC is enabled by:

- Configure the IRCF<3:0> bits of the OSCCON register for the desired HF frequency, and
- FOSC<1:0> = 00, or
- Set the System Clock Source (SCS) bits of the OSCCON register to ‘1x’.

A fast start-up oscillator allows internal circuits to power-up and stabilize before switching to HFINTOSC.

The High-Frequency Internal Oscillator Ready bit (HFIOFR) of the OSCSTAT register indicates when the HFINTOSC is running.

The High-Frequency Internal Oscillator Stable bit (HFIOFS) of the OSCSTAT register indicates when the HFINTOSC is running within 0.5% of its final value.

### 5.2.2.2 LFINTOSC

The Low-Frequency Internal Oscillator (LFINTOSC) is an uncalibrated 31 kHz internal clock source.

The output of the LFINTOSC connects to a multiplexer (see [Figure 5-1](#)). Select 31 kHz, via software, using the IRCF<3:0> bits of the OSCCON register. See [Section 5.2.2.4 “Internal Oscillator Clock Switch Timing”](#) for more information. The LFINTOSC is also the frequency for the Power-up Timer (PWRT) and Watchdog Timer (WDT).

The LFINTOSC is enabled by selecting 31 kHz (IRCF<3:0> bits of the OSCCON register = 000x) as the system clock source (SCS bits of the OSCCON register = 1x), or when any of the following are enabled:

- Configure the IRCF<3:0> bits of the OSCCON register for the desired LF frequency, and
- FOSC<1:0> = 00, or
- Set the System Clock Source (SCS) bits of the OSCCON register to ‘1x’

Peripherals that use the LFINTOSC are:

- Power-up Timer (PWRT)
- Watchdog Timer (WDT)

The Low-Frequency Internal Oscillator Ready bit (LFIOFR) of the OSCSTAT register indicates when the LFINTOSC is running.

# PIC12(L)F1501

---

## 5.2.2.3 Internal Oscillator Frequency Selection

The system clock speed can be selected via software using the Internal Oscillator Frequency Select bits IRCF<3:0> of the OSCCON register.

The outputs of the 16 MHz HFINTOSC postscaler and the LFINTOSC connect to a multiplexer (see [Figure 5-1](#)). The Internal Oscillator Frequency Select bits IRCF<3:0> of the OSCCON register select the frequency output of the internal oscillators. One of the following frequencies can be selected via software:

- HFINTOSC
  - 16 MHz
  - 8 MHz
  - 4 MHz
  - 2 MHz
  - 1 MHz
  - 500 kHz (default after Reset)
  - 250 kHz
  - 125 kHz
  - 62.5 kHz
  - 31.25 kHz
- LFINTOSC
  - 31 kHz

**Note:** Following any Reset, the IRCF<3:0> bits of the OSCCON register are set to '0111' and the frequency selection is set to 500 kHz. The user can modify the IRCF bits to select a different frequency.

The IRCF<3:0> bits of the OSCCON register allow duplicate selections for some frequencies. These duplicate choices can offer system design trade-offs. Lower power consumption can be obtained when changing oscillator sources for a given frequency. Faster transition times can be obtained between frequency changes that use the same oscillator source.

## 5.2.2.4 Internal Oscillator Clock Switch Timing

When switching between the HFINTOSC and the LFINTOSC, the new oscillator may already be shut down to save power (see [Figure 5-3](#)). If this is the case, there is a delay after the IRCF<3:0> bits of the OSCCON register are modified before the frequency selection takes place. The OSCSTAT register will reflect the current active status of the HFINTOSC and LFINTOSC oscillators. The sequence of a frequency selection is as follows:

1. IRCF<3:0> bits of the OSCCON register are modified.
2. If the new clock is shut down, a clock start-up delay is started.
3. Clock switch circuitry waits for a falling edge of the current clock.
4. Clock switch is complete.

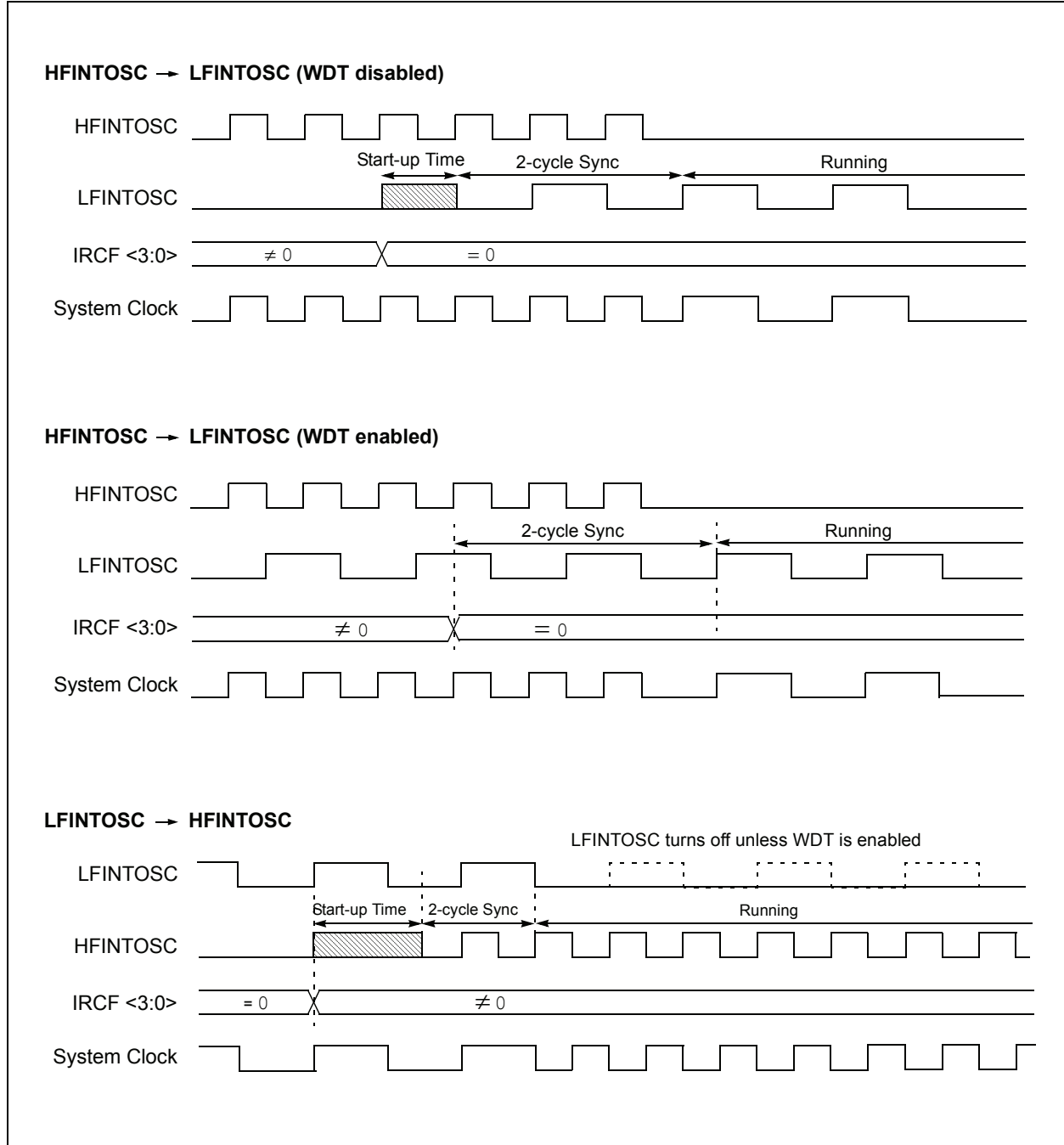
See [Figure 5-3](#) for more details.

If the internal oscillator speed is switched between two clocks of the same source, there is no start-up delay before the new frequency is selected.

Start-up delay specifications are located in the oscillator tables of [Section 27.0 "Electrical Specifications"](#).



**FIGURE 5-3: INTERNAL OSCILLATOR SWITCH TIMING**



# PIC12(L)F1501

## 5.3 Clock Switching

The system clock source can be switched between external and internal clock sources via software using the System Clock Select (SCS) bits of the OSCCON register. The following clock sources can be selected using the SCS bits:

- Default system oscillator determined by FOSC bits in Configuration Words
- Internal Oscillator Block (INTOSC)

### 5.3.1 SYSTEM CLOCK SELECT (SCS) BITS

The System Clock Select (SCS) bits of the OSCCON register selects the system clock source that is used for the CPU and peripherals.

- When the SCS bits of the OSCCON register = 00, the system clock source is determined by value of the FOSC<1:0> bits in the Configuration Words.
- When the SCS bits of the OSCCON register = 1x, the system clock source is chosen by the internal oscillator frequency selected by the IRCF<3:0> bits of the OSCCON register. After a Reset, the SCS bits of the OSCCON register are always cleared.

When switching between clock sources, a delay is required to allow the new clock to stabilize. These oscillator delays are shown in [Table 5-2](#).

**TABLE 5-1: OSCILLATOR SWITCHING DELAYS**

| Switch From      | Switch To | Frequency        | Oscillator Delay    |
|------------------|-----------|------------------|---------------------|
| Sleep/POR        | LFINTOSC  | 31 kHz           | 2 cycles            |
|                  | HFINTOSC  | 31.25 kHz-16 MHz |                     |
|                  | EC        | DC – 20 MHz      |                     |
| LFINTOSC         | EC        | DC – 20 MHz      | 1 cycle of each     |
| Any clock source | HFINTOSC  | 31.25 kHz-16 MHz | 2 $\mu$ s (approx.) |
| Any clock source | LFINTOSC  | 31 kHz           | 1 cycle of each     |

## 5.4 Oscillator Control Registers

### REGISTER 5-1: OSCCON: OSCILLATOR CONTROL REGISTER

|       |           |         |         |         |          |         |         |
|-------|-----------|---------|---------|---------|----------|---------|---------|
| U-0   | R/W-0/0   | R/W-1/1 | R/W-1/1 | R/W-1/1 | U-0      | R/W-0/0 | R/W-0/0 |
| —     | IRCF<3:0> |         |         | —       | SCS<1:0> |         |         |
| bit 7 |           |         |         |         | bit 0    |         |         |

#### Legend:

|                      |                      |   |
|----------------------|----------------------|---|
| R = Readable bit     | W = Writable bit     | U = Unimplemented bit, read as '0'                    |
| u = Bit is unchanged | x = Bit is unknown   | -n/n = Value at POR and BOR/Value at all other Resets |
| '1' = Bit is set     | '0' = Bit is cleared |   |

bit 7      **Unimplemented:** Read as '0'

bit 6-3    **IRCF<3:0>:** Internal Oscillator Frequency Select bits

|                                     |
|-------------------------------------|
| 1111 = 16 MHz                       |
| 1110 = 8 MHz                        |
| 1101 = 4 MHz                        |
| 1100 = 2 MHz                        |
| 1011 = 1 MHz                        |
| 1010 = 500 kHz <sup>(1)</sup>       |
| 1001 = 250 kHz <sup>(1)</sup>       |
| 1000 = 125 kHz <sup>(1)</sup>       |
| 0111 = 500 kHz (default upon Reset) |
| 0110 = 250 kHz                      |
| 0101 = 125 kHz                      |
| 0100 = 62.5 kHz                     |
| 001x = 31.25 kHz                    |
| 000x = 31 kHz (LFINTOSC)            |

bit 2      **Unimplemented:** Read as '0'

bit 1-0    **SCS<1:0>:** System Clock Select bits

|   |
|---|
| 1x = Internal oscillator block                            |
| 01 = Reserved   |
| 00 = Clock determined by FOSC<1:0> in Configuration Words |

**Note 1:** Duplicate frequency derived from HFINTOSC.

# PIC12(L)F1501

**REGISTER 5-2: OSCSTAT: OSCILLATOR STATUS REGISTER**

|       |     |     |        |     |     |        |        |
|-------|-----|-----|--------|-----|-----|--------|--------|
| U-0   | U-0 | U-0 | R-0/q  | U-0 | U-0 | R-0/q  | R-0/q  |
| —     | —   | —   | HFIOFR | —   | —   | LFIOFR | HFIOFS |
| bit 7 |     |     |        |     |     |        | bit 0  |

**Legend:**

|                      |                      |   |
|----------------------|----------------------|---|
| R = Readable bit     | W = Writable bit     | U = Unimplemented bit, read as '0'                    |
| u = Bit is unchanged | x = Bit is unknown   | -n/n = Value at POR and BOR/Value at all other Resets |
| '1' = Bit is set     | '0' = Bit is cleared | q = Conditional                                       |

- bit 7-5      **Unimplemented:** Read as '0'
- bit 4      **HFIOFR:** High-Frequency Internal Oscillator Ready bit  
1 = 16 MHz Internal Oscillator (HFINTOSC) is ready  
0 = 16 MHz Internal Oscillator (HFINTOSC) is not ready
- bit 3-2      **Unimplemented:** Read as '0'
- bit 1      **LFIOFR:** Low-Frequency Internal Oscillator Ready bit  
1 = 31 kHz Internal Oscillator (LFINTOSC) is ready  
0 = 31 kHz Internal Oscillator (LFINTOSC) is not ready
- bit 0      **HFIOFS:** High-Frequency Internal Oscillator Stable bit  
1 = 16 MHz Internal Oscillator (HFINTOSC) is stable  
0 = 16 MHz Internal Oscillator (HFINTOSC) is not yet stable

**TABLE 5-2: SUMMARY OF REGISTERS ASSOCIATED WITH CLOCK SOURCES**

| Name    | Bit 7 | Bit 6     | Bit 5 | Bit 4  | Bit 3 | Bit 2 | Bit 1    | Bit 0  | Register on Page |
|---------|-------|-----------|-------|--------|-------|-------|----------|--------|------------------|
| OSCCON  | —     | IRCF<3:0> |       |        |       | —     | SCS<1:0> |        | 51               |
| OSCSTAT | —     | —         | —     | HFIOFR | —     | —     | LFIOFR   | HFIOFS | 52               |

**Legend:** — = unimplemented location, read as '0'. Shaded cells are not used by clock sources.

**TABLE 5-3: SUMMARY OF CONFIGURATION WORD WITH CLOCK SOURCES**

| Name    | Bits | Bit -/7 | Bit -/6 | Bit 13/5 | Bit 12/4  | Bit 11/3 | Bit 10/2   | Bit 9/1   | Bit 8/0 | Register on Page |
|---------|------|---------|---------|----------|-----------|----------|------------|-----------|---------|------------------|
| CONFIG1 | 13:8 | —       | —       | —        | —         | CLKOUTEN | BOREN<1:0> |           | —       | 40               |
|         | 7:0  | CP      | MCLRE   | PWRTE    | WDTE<1:0> |          | —          | FOSC<1:0> |         |                  |

**Legend:** — = unimplemented location, read as '0'. Shaded cells are not used by clock sources.

## 6.0 RESETS

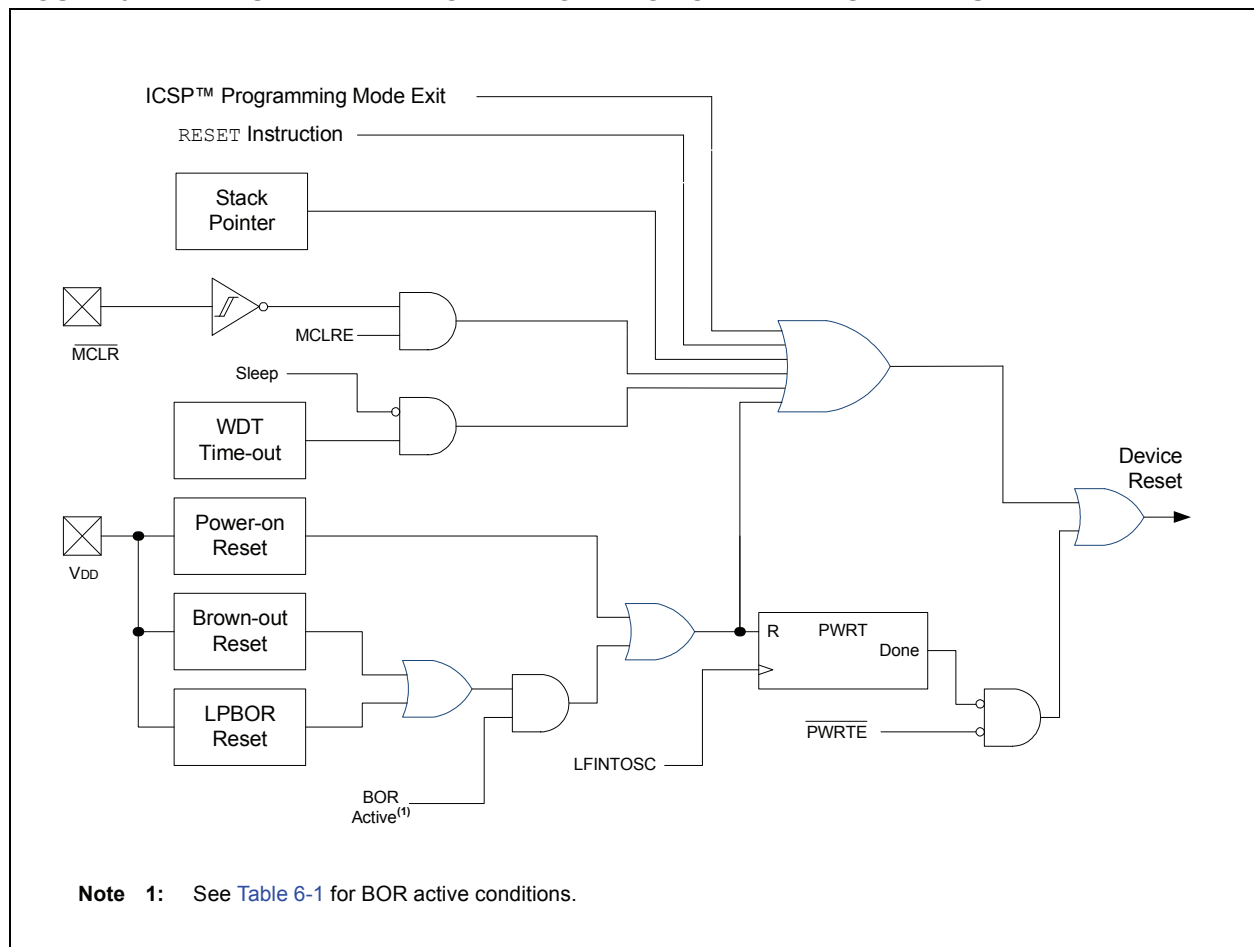
There are multiple ways to reset this device:

- Power-on Reset (POR)
- Brown-out Reset (BOR)
- Low-Power Brown-out Reset (LPBOR)
- MCLR Reset
- WDT Reset
- RESET instruction
- Stack Overflow
- Stack Underflow
- Programming mode exit

To allow VDD to stabilize, an optional Power-up Timer can be enabled to extend the Reset time after a BOR or POR event.

A simplified block diagram of the On-chip Reset Circuit is shown in Figure 6-1.

**FIGURE 6-1: SIMPLIFIED BLOCK DIAGRAM OF ON-CHIP RESET CIRCUIT**



# PIC12(L)F1501

## 6.1 Power-on Reset (POR)

The POR circuit holds the device in Reset until VDD has reached an acceptable level for minimum operation. Slow rising VDD, fast operating speeds or analog performance may require greater than minimum VDD. The PWRT, BOR or MCLR features can be used to extend the start-up period until all device operation conditions have been met.

### 6.1.1 POWER-UP TIMER (PWRT)

The Power-up Timer provides a nominal 64 ms time-out on POR or Brown-out Reset.

The device is held in Reset as long as PWRT is active. The PWRT delay allows additional time for the VDD to rise to an acceptable level. The Power-up Timer is enabled by clearing the PWRTE bit in Configuration Words.

The Power-up Timer starts after the release of the POR and BOR.

For additional information, refer to Application Note AN607, "Power-up Trouble Shooting" (DS00607).

## 6.2 Brown-Out Reset (BOR)

The BOR circuit holds the device in Reset when VDD reaches a selectable minimum level. Between the POR and BOR, complete voltage range coverage for execution protection can be implemented.

The Brown-out Reset module has four operating modes controlled by the BOREN<1:0> bits in Configuration Words. The four operating modes are:

- BOR is always on
- BOR is off when in Sleep
- BOR is controlled by software
- BOR is always off

Refer to [Table 6-1](#) for more information.

The Brown-out Reset voltage level is selectable by configuring the BORV bit in Configuration Words.

A VDD noise rejection filter prevents the BOR from triggering on small events. If VDD falls below VBOR for a duration greater than parameter TBORDC, the device will reset. See [Figure 6-2](#) for more information.

**TABLE 6-1: BOR OPERATING MODES**

| BOREN<1:0> | SBOREN | Device Mode | BOR Mode | Instruction Execution upon:<br>Release of POR or Wake-up from Sleep |
|------------|--------|-------------|----------|---|
| 11         | X      | X           | Active   | Waits for BOR ready <sup>(1)</sup> (BORRDY = 1)                     |
| 10         | X      | Awake       | Active   | Waits for BOR ready (BORRDY = 1)                                    |
|            |        | Sleep       | Disabled |   |
| 01         | 1      | X           | Active   | Waits for BOR ready <sup>(1)</sup> (BORRDY = 1)                     |
|            | 0      | X           | Disabled | Begins immediately (BORRDY = x)                                     |
| 00         | X      | X           | Disabled |   |

**Note 1:** In these specific cases, "Release of POR" and "Wake-up from Sleep", there is no delay in start-up. The BOR ready flag, (BORRDY = 1), will be set before the CPU is ready to execute instructions because the BOR circuit is forced on by the BOREN<1:0> bits.

### 6.2.1 BOR IS ALWAYS ON

When the BOREN bits of Configuration Words are programmed to '11', the BOR is always on. The device start-up will be delayed until the BOR is ready and VDD is higher than the BOR threshold.

BOR protection is active during Sleep. The BOR does not delay wake-up from Sleep.

### 6.2.2 BOR IS OFF IN SLEEP

When the BOREN bits of Configuration Words are programmed to '10', the BOR is on, except in Sleep. The device start-up will be delayed until the BOR is ready and VDD is higher than the BOR threshold.

BOR protection is not active during Sleep. The device wake-up will be delayed until the BOR is ready.

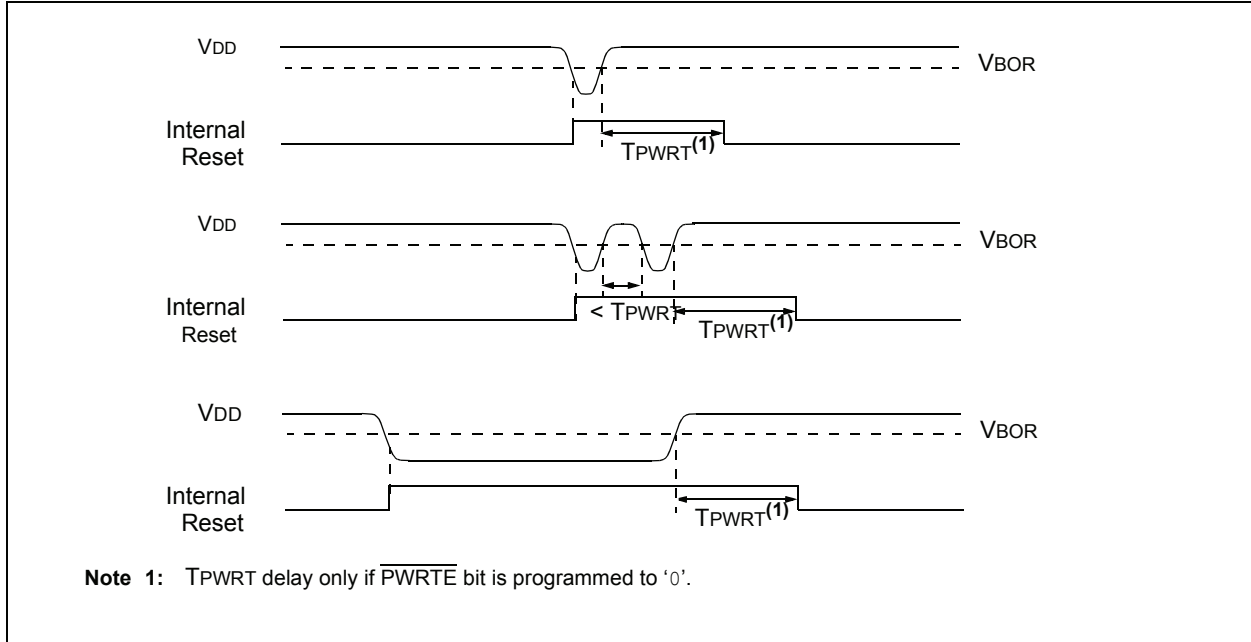
### 6.2.3 BOR CONTROLLED BY SOFTWARE

When the BOREN bits of Configuration Words are programmed to '01', the BOR is controlled by the SBOREN bit of the BORCON register. The device start-up is not delayed by the BOR ready condition or the VDD level.

BOR protection begins as soon as the BOR circuit is ready. The status of the BOR circuit is reflected in the BORRDY bit of the BORCON register.

BOR protection is unchanged by Sleep.

**FIGURE 6-2: BROWN-OUT SITUATIONS**



**REGISTER 6-1: BORCON: BROWN-OUT RESET CONTROL REGISTER**

|         |         |     |     |     |     |     |        |
|---------|---------|-----|-----|-----|-----|-----|--------|
| R/W-1/u | R/W-0/u | U-0 | U-0 | U-0 | U-0 | U-0 | R-q/u  |
| SBOREN  | BORFS   | —   | —   | —   | —   | —   | BORRDY |
| bit 7   |         |     |     |     |     |     | bit 0  |

**Legend:**

R = Readable bit                      W = Writable bit                      U = Unimplemented bit, read as '0'  
u = Bit is unchanged                      x = Bit is unknown                      -n/n = Value at POR and BOR/Value at all other Resets  
'1' = Bit is set                                  '0' = Bit is cleared                      q = Value depends on condition

- bit 7            **SBOREN:** Software Brown-out Reset Enable bit  
If BOREN <1:0> in Configuration Words  $\neq$  01:  
SBOREN is read/write, but has no effect on the BOR.  
If BOREN <1:0> in Configuration Words = 01:  
1 = BOR Enabled  
0 = BOR Disabled
- bit 6            **BORFS:** Brown-out Reset Fast Start bit<sup>(1)</sup>  
If BOREN<1:0> = 11 (Always on) or BOREN<1:0> = 00 (Always off)  
BORFS is Read/Write, but has no effect.  
If BOREN <1:0> = 10 (Disabled in Sleep) or BOREN<1:0> = 01 (Under software control):  
1 = Band gap is forced on always (covers sleep/wake-up/operating cases)  
0 = Band gap operates normally, and may turn off
- bit 5-1        **Unimplemented:** Read as '0'
- bit 0            **BORRDY:** Brown-out Reset Circuit Ready Status bit  
1 = The Brown-out Reset circuit is active  
0 = The Brown-out Reset circuit is inactive

**Note 1:** BOREN<1:0> bits are located in Configuration Words.

# PIC12(L)F1501

## 6.3 Low-Power Brown-out Reset (LPBOR)

The Low-Power Brown-Out Reset (LPBOR) is an essential part of the Reset subsystem. Refer to [Figure 6-1](#) to see how the BOR interacts with other modules.

The LPBOR is used to monitor the external VDD pin. When too low of a voltage is detected, the device is held in Reset. When this occurs, a register bit ( $\overline{\text{BOR}}$ ) is changed to indicate that a BOR Reset has occurred. The same bit is set for both the BOR and the LPBOR. Refer to [Register 6-2](#).

### 6.3.1 ENABLING LPBOR

The LPBOR is controlled by the  $\overline{\text{LPBOR}}$  bit of Configuration Words. When the device is erased, the LPBOR module defaults to disabled.

#### 6.3.1.1 LPBOR Module Output

The output of the LPBOR module is a signal indicating whether or not a Reset is to be asserted. This signal is OR'd together with the Reset signal of the BOR module to provide the generic  $\overline{\text{BOR}}$  signal which goes to the PCON register and to the power control block.

## 6.4 $\overline{\text{MCLR}}$

The  $\overline{\text{MCLR}}$  is an optional external input that can reset the device. The MCLR function is controlled by the MCLRE bit of Configuration Words and the LVP bit of Configuration Words ([Table 6-2](#)).

**TABLE 6-2:  $\overline{\text{MCLR}}$  CONFIGURATION**

| MCLRE | LVP | $\overline{\text{MCLR}}$ |
|-------|-----|--------------------------|
| 0     | 0   | Disabled                 |
| 1     | 0   | Enabled                  |
| x     | 1   | Enabled                  |

### 6.4.1 $\overline{\text{MCLR}}$ ENABLED

When  $\overline{\text{MCLR}}$  is enabled and the pin is held low, the device is held in Reset. The  $\overline{\text{MCLR}}$  pin is connected to VDD through an internal weak pull-up.

The device has a noise filter in the  $\overline{\text{MCLR}}$  Reset path. The filter will detect and ignore small pulses.

**Note:** A Reset does not drive the  $\overline{\text{MCLR}}$  pin low.

### 6.4.2 $\overline{\text{MCLR}}$ DISABLED

When  $\overline{\text{MCLR}}$  is disabled, the pin functions as a general purpose input and the internal weak pull-up is under software control. See [Section 11.2 "PORTA Registers"](#) for more information.

## 6.5 Watchdog Timer (WDT) Reset

The Watchdog Timer generates a Reset if the firmware does not issue a  $\overline{\text{CLRWDT}}$  instruction within the time-out period. The  $\overline{\text{TO}}$  and  $\overline{\text{PD}}$  bits in the STATUS register are changed to indicate the WDT Reset. See [Section 9.0 "Watchdog Timer"](#) for more information.

## 6.6 RESET Instruction

A  $\overline{\text{RESET}}$  instruction will cause a device Reset. The  $\overline{\text{R}}$  bit in the PCON register will be set to '0'. See [Table 6-4](#) for default conditions after a  $\overline{\text{RESET}}$  instruction has occurred.

## 6.7 Stack Overflow/Underflow Reset

The device can reset when the Stack Overflows or Underflows. The STKOVF or STKUNF bits of the PCON register indicate the Reset condition. These Resets are enabled by setting the STVREN bit in Configuration Words. See [Section 3.4.2 "Overflow/Underflow Reset"](#) for more information.

## 6.8 Programming Mode Exit

Upon exit of Programming mode, the device will behave as if a POR had just occurred.

## 6.9 Power-Up Timer

The Power-up Timer optionally delays device execution after a BOR or POR event. This timer is typically used to allow VDD to stabilize before allowing the device to start running.

The Power-up Timer is controlled by the  $\overline{\text{PWRT}}$  bit of Configuration Words.

## 6.10 Start-up Sequence

Upon the release of a POR or BOR, the following must occur before the device will begin executing:

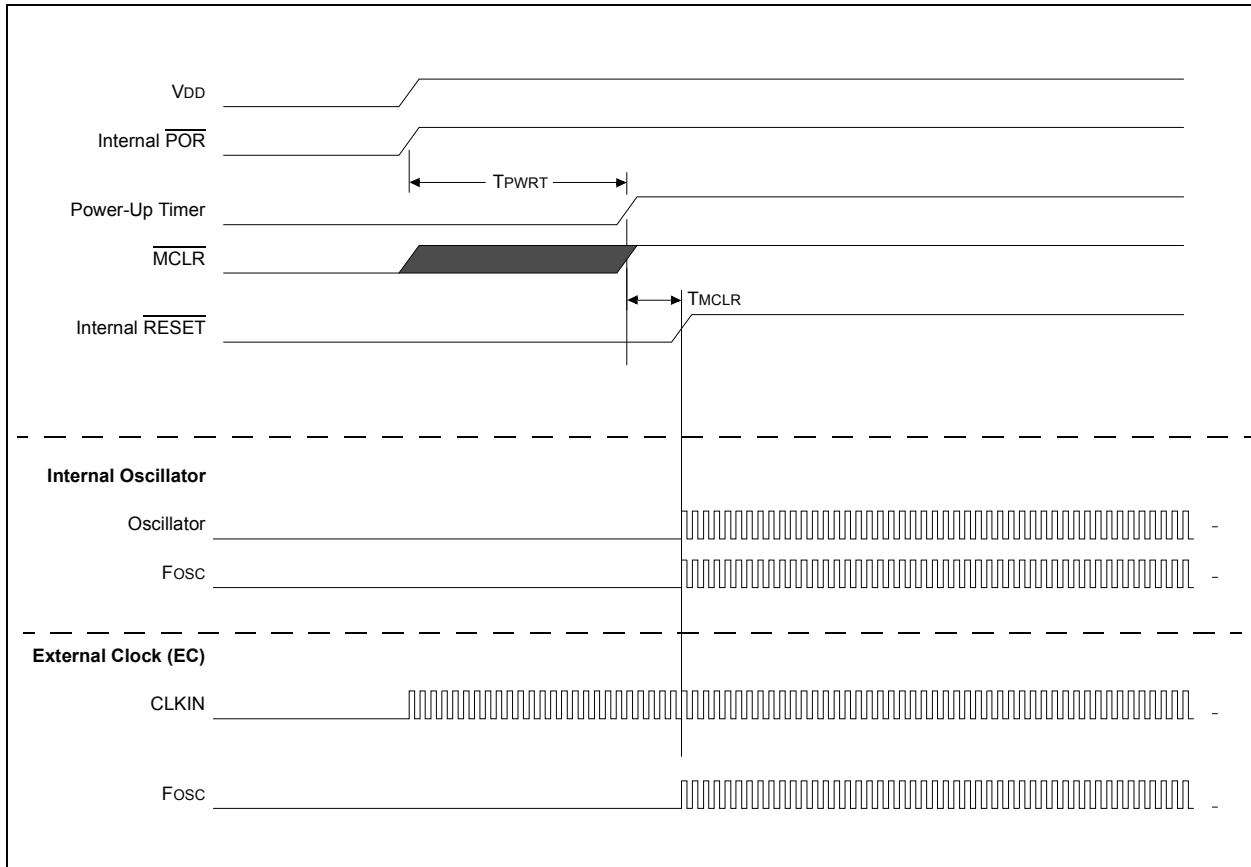
1. Power-up Timer runs to completion (if enabled).
2.  $\overline{\text{MCLR}}$  must be released (if enabled).

The total time-out will vary based on oscillator configuration and Power-up Timer configuration. See [Section 5.0 "Oscillator Module"](#) for more information.

The Power-up Timer runs independently of  $\overline{\text{MCLR}}$  Reset. If  $\overline{\text{MCLR}}$  is kept low long enough, the Power-up Timer will expire. Upon bringing  $\overline{\text{MCLR}}$  high, the device will begin execution immediately (see [Figure 6-3](#)). This is useful for testing purposes or to synchronize more than one device operating in parallel.



**FIGURE 6-3: RESET START-UP SEQUENCE**



# PIC12(L)F1501

## 6.11 Determining the Cause of a Reset

Upon any Reset, multiple bits in the STATUS and PCON registers are updated to indicate the cause of the Reset. Table 6-3 and Table 6-4 show the Reset conditions of these registers.

**TABLE 6-3: RESET STATUS BITS AND THEIR SIGNIFICANCE**

| STKOVF | STKUNF | RWDT | RMCLR | RI | POR | BOR | TO | PD | Condition   |
|--------|--------|------|-------|----|-----|-----|----|----|---|
| 0      | 0      | 1    | 1     | 1  | 0   | x   | 1  | 1  | Power-on Reset                                      |
| 0      | 0      | 1    | 1     | 1  | 0   | x   | 0  | x  | Illegal, $\overline{TO}$ is set on $\overline{POR}$ |
| 0      | 0      | 1    | 1     | 1  | 0   | x   | x  | 0  | Illegal, $\overline{PD}$ is set on $\overline{POR}$ |
| 0      | 0      | u    | 1     | 1  | u   | 0   | 1  | 1  | Brown-out Reset                                     |
| u      | u      | 0    | u     | u  | u   | u   | 0  | u  | WDT Reset   |
| u      | u      | u    | u     | u  | u   | u   | 0  | 0  | WDT Wake-up from Sleep                              |
| u      | u      | u    | u     | u  | u   | u   | 1  | 0  | Interrupt Wake-up from Sleep                        |
| u      | u      | u    | 0     | u  | u   | u   | u  | u  | $\overline{MCLR}$ Reset during normal operation     |
| u      | u      | u    | 0     | u  | u   | u   | 1  | 0  | $\overline{MCLR}$ Reset during Sleep                |
| u      | u      | u    | u     | 0  | u   | u   | u  | u  | RESET Instruction Executed                          |
| 1      | u      | u    | u     | u  | u   | u   | u  | u  | Stack Overflow Reset (STVREN = 1)                   |
| u      | 1      | u    | u     | u  | u   | u   | u  | u  | Stack Underflow Reset (STVREN = 1)                  |

**TABLE 6-4: RESET CONDITION FOR SPECIAL REGISTERS<sup>(2)</sup>**

| Condition                                       | Program Counter       | STATUS Register | PCON Register |
|---|-----------------------|-----------------|---------------|
| Power-on Reset                                  | 0000h                 | ---1 1000       | 00-- 110x     |
| $\overline{MCLR}$ Reset during normal operation | 0000h                 | ---u uuuu       | uu-- 0uuu     |
| $\overline{MCLR}$ Reset during Sleep            | 0000h                 | ---1 0uuu       | uu-- 0uuu     |
| WDT Reset                                       | 0000h                 | ---0 uuuu       | uu-- uuuu     |
| WDT Wake-up from Sleep                          | PC + 1                | ---0 0uuu       | uu-- uuuu     |
| Brown-out Reset                                 | 0000h                 | ---1 1uuu       | 00-- 11u0     |
| Interrupt Wake-up from Sleep                    | PC + 1 <sup>(1)</sup> | ---1 0uuu       | uu-- uuuu     |
| RESET Instruction Executed                      | 0000h                 | ---u uuuu       | uu-- u0uu     |
| Stack Overflow Reset (STVREN = 1)               | 0000h                 | ---u uuuu       | 1u-- uuuu     |
| Stack Underflow Reset (STVREN = 1)              | 0000h                 | ---u uuuu       | u1-- uuuu     |

**Legend:** u = unchanged, x = unknown, - = unimplemented bit, reads as '0'.

**Note 1:** When the wake-up is due to an interrupt and the Global Interrupt Enable bit (GIE) is set, the return address is pushed on the stack and PC is loaded with the interrupt vector (0004h) after execution of PC + 1.

**2:** If a Status bit is not implemented, that bit will be read as '0'.

## 6.12 Power Control (PCON) Register

The Power Control (PCON) register contains flag bits to differentiate between a:

- Power-on Reset ( $\overline{\text{POR}}$ )
- Brown-out Reset ( $\overline{\text{BOR}}$ )
- Reset Instruction Reset ( $\overline{\text{RI}}$ )
- MCLR Reset ( $\overline{\text{RMCLR}}$ )
- Watchdog Timer Reset ( $\overline{\text{RWDT}}$ )
- Stack Underflow Reset (STKUNF)
- Stack Overflow Reset (STKOVF)

The PCON register bits are shown in [Register 6-2](#).

**REGISTER 6-2: PCON: POWER CONTROL REGISTER**

| R/W/HS-0/q | R/W/HS-0/q | U-0 | R/W/HC-1/q               | R/W/HC-1/q                | R/W/HC-1/q             | R/W/HC-q/u              | R/W/HC-q/u              |
|------------|------------|-----|--------------------------|---------------------------|------------------------|-------------------------|-------------------------|
| STKOVF     | STKUNF     | —   | $\overline{\text{RWDT}}$ | $\overline{\text{RMCLR}}$ | $\overline{\text{RI}}$ | $\overline{\text{POR}}$ | $\overline{\text{BOR}}$ |
| bit 7      |            |     |                          |                           |                        |                         | bit 0                   |

**Legend:**

HC = Bit is cleared by hardware

HS = Bit is set by hardware

R = Readable bit

W = Writable bit

U = Unimplemented bit, read as '0'

u = Bit is unchanged

x = Bit is unknown

-n/n = Value at POR and BOR/Value at all other Resets

'1' = Bit is set

'0' = Bit is cleared

q = Value depends on condition

bit 7 **STKOVF:** Stack Overflow Flag bit

1 = A Stack Overflow occurred

0 = A Stack Overflow has not occurred or cleared by firmware

bit 6 **STKUNF:** Stack Underflow Flag bit

1 = A Stack Underflow occurred

0 = A Stack Underflow has not occurred or cleared by firmware

bit 5 **Unimplemented:** Read as '0'

bit 4  **$\overline{\text{RWDT}}$ :** Watchdog Timer Reset Flag bit

1 = A Watchdog Timer Reset has not occurred or set by firmware

0 = A Watchdog Timer Reset has occurred (cleared by hardware)

bit 3  **$\overline{\text{RMCLR}}$ :** MCLR Reset Flag bit

1 = A MCLR Reset has not occurred or set by firmware

0 = A MCLR Reset has occurred (cleared by hardware)

bit 2  **$\overline{\text{RI}}$ :** RESET Instruction Flag bit

1 = A RESET instruction has not been executed or set by firmware

0 = A RESET instruction has been executed (cleared by hardware)

bit 1  **$\overline{\text{POR}}$ :** Power-on Reset Status bit

1 = No Power-on Reset occurred

0 = A Power-on Reset occurred (must be set in software after a Power-on Reset occurs)

bit 0  **$\overline{\text{BOR}}$ :** Brown-out Reset Status bit

1 = No Brown-out Reset occurred

0 = A Brown-out Reset occurred (must be set in software after a Power-on Reset or Brown-out Reset occurs)

# PIC12(L)F1501

**TABLE 6-5: SUMMARY OF REGISTERS ASSOCIATED WITH RESETS**

| Name   | Bit 7  | Bit 6  | Bit 5      | Bit 4                    | Bit 3                     | Bit 2                  | Bit 1                   | Bit 0                   | Register on Page |
|--------|--------|--------|------------|--------------------------|---------------------------|------------------------|-------------------------|-------------------------|------------------|
| BORCON | SBOREN | BORFS  | —          | —                        | —                         | —                      | —                       | BORRDY                  | 55               |
| PCON   | STKOVF | STKUNF | —          | $\overline{\text{RWDT}}$ | $\overline{\text{RMCLR}}$ | $\overline{\text{RI}}$ | $\overline{\text{POR}}$ | $\overline{\text{BOR}}$ | 59               |
| STATUS | —      | —      | —          | $\overline{\text{TO}}$   | $\overline{\text{PD}}$    | Z                      | DC                      | C                       | 18               |
| WDTCON | —      | —      | WDTPS<4:0> |                          |                           |                        |                         | SWDTEN                  | 81               |

**Legend:** — = unimplemented bit, reads as '0'. Shaded cells are not used by Resets.

**Note 1:** Other (non Power-up) Resets include MCLR Reset and Watchdog Timer Reset during normal operation.

**TABLE 6-6: SUMMARY OF CONFIGURATION WORD WITH RESETS**

| Name    | Bits | Bit -/7                | Bit -/6 | Bit 13/5                  | Bit 12/4  | Bit 11/3                     | Bit 10/2   | Bit 9/1   | Bit 8/0 | Register on Page |
|---------|------|------------------------|---------|---------------------------|-----------|------------------------------|------------|-----------|---------|------------------|
| CONFIG1 | 13:8 | —                      | —       | —                         | —         | $\overline{\text{CLKOUTEN}}$ | BOREN<1:0> |           | —       | 40               |
|         | 7:0  | $\overline{\text{CP}}$ | MCLRE   | $\overline{\text{PWRTE}}$ | WDTE<1:0> |                              | —          | FOSC<1:0> |         |                  |
| CONFIG2 | 13:8 | —                      | —       | LVP                       | —         | $\overline{\text{LPBOR}}$    | BORV       | STVREN    | —       | 41               |
|         | 7:0  | —                      | —       | —                         | —         | —                            | —          | WRT<1:0>  |         |                  |

**Legend:** — = unimplemented location, read as '0'. Shaded cells are not used by Resets.

## 7.0 INTERRUPTS

The interrupt feature allows certain events to preempt normal program flow. Firmware is used to determine the source of the interrupt and act accordingly. Some interrupts can be configured to wake the MCU from Sleep mode.

This chapter contains the following information for Interrupts:

- Operation
- Interrupt Latency
- Interrupts During Sleep
- INT Pin
- Automatic Context Saving

Many peripherals produce interrupts. Refer to the corresponding chapters for details.

A block diagram of the interrupt logic is shown in [Figure 7-1](#).

**FIGURE 7-1: INTERRUPT LOGIC**



# PIC12(L)F1501

---

## 7.1 Operation

Interrupts are disabled upon any device Reset. They are enabled by setting the following bits:

- GIE bit of the INTCON register
- Interrupt Enable bit(s) for the specific interrupt event(s)
- PEIE bit of the INTCON register (if the Interrupt Enable bit of the interrupt event is contained in the PIE1, PIE2 and PIE3 registers)

The INTCON, PIR1, PIR2 and PIR3 registers record individual interrupts via interrupt flag bits. Interrupt flag bits will be set, regardless of the status of the GIE, PEIE and individual interrupt enable bits.

The following events happen when an interrupt event occurs while the GIE bit is set:

- Current prefetched instruction is flushed
- GIE bit is cleared
- Current Program Counter (PC) is pushed onto the stack
- Critical registers are automatically saved to the shadow registers (See “[Section 7.5 “Automatic Context Saving”](#).”)
- PC is loaded with the interrupt vector 0004h

The firmware within the Interrupt Service Routine (ISR) should determine the source of the interrupt by polling the interrupt flag bits. The interrupt flag bits must be cleared before exiting the ISR to avoid repeated interrupts. Because the GIE bit is cleared, any interrupt that occurs while executing the ISR will be recorded through its interrupt flag, but will not cause the processor to redirect to the interrupt vector.

The `RETFIE` instruction exits the ISR by popping the previous address from the stack, restoring the saved context from the shadow registers and setting the GIE bit.

For additional information on a specific interrupt's operation, refer to its peripheral chapter.

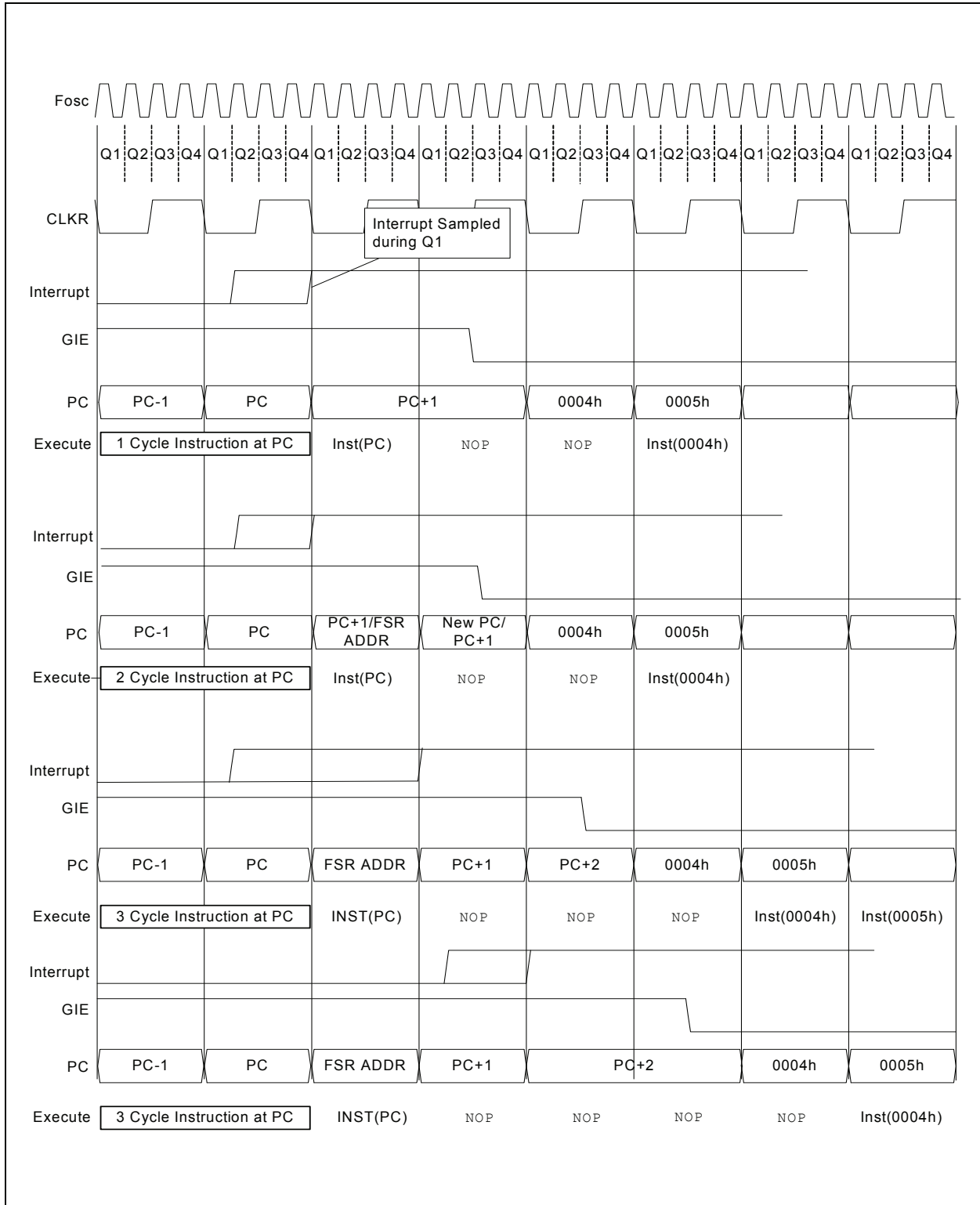
**Note 1:** Individual interrupt flag bits are set, regardless of the state of any other enable bits.

**2:** All interrupts will be ignored while the GIE bit is cleared. Any interrupt occurring while the GIE bit is clear will be serviced when the GIE bit is set again.

## 7.2 Interrupt Latency

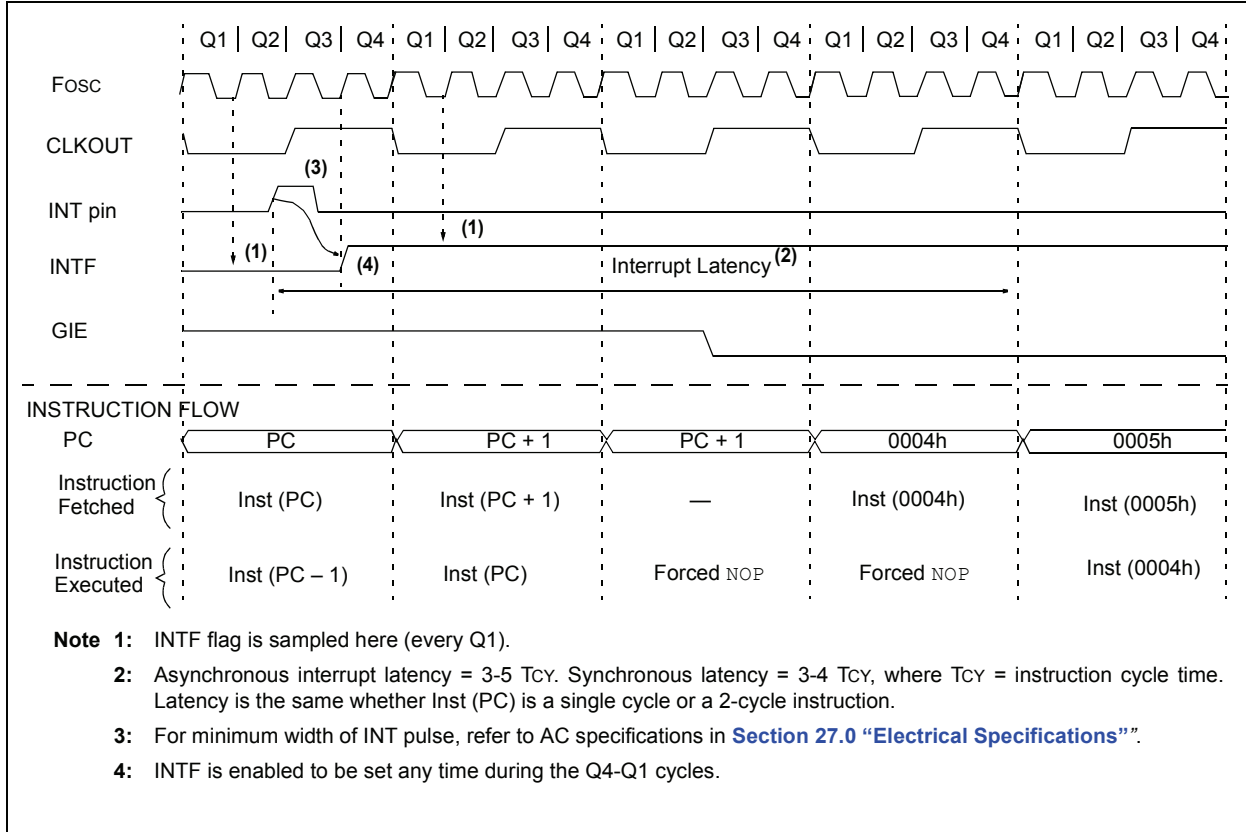
Interrupt latency is defined as the time from when the interrupt event occurs to the time code execution at the interrupt vector begins. The latency for synchronous interrupts is 3 or 4 instruction cycles. For asynchronous interrupts, the latency is 3 to 5 instruction cycles, depending on when the interrupt occurs. See [Figure 7-2](#) and [Figure 7.3](#) for more details.

**FIGURE 7-2: INTERRUPT LATENCY**



# PIC12(L)F1501

**FIGURE 7-3: INT PIN INTERRUPT TIMING**





## 7.3 Interrupts During Sleep

Some interrupts can be used to wake from Sleep. To wake from Sleep, the peripheral must be able to operate without the system clock. The interrupt source must have the appropriate Interrupt Enable bit(s) set prior to entering Sleep.

On waking from Sleep, if the GIE bit is also set, the processor will branch to the interrupt vector. Otherwise, the processor will continue executing instructions after the `SLEEP` instruction. The instruction directly after the `SLEEP` instruction will always be executed before branching to the ISR. Refer to [Section 8.0 “Power-Down Mode \(Sleep\)”](#) for more details.

## 7.4 INT Pin

The INT pin can be used to generate an asynchronous edge-triggered interrupt. This interrupt is enabled by setting the INTE bit of the INTCON register. The INTEDG bit of the OPTION\_REG register determines on which edge the interrupt will occur. When the INTEDG bit is set, the rising edge will cause the interrupt. When the INTEDG bit is clear, the falling edge will cause the interrupt. The INTF bit of the INTCON register will be set when a valid edge appears on the INT pin. If the GIE and INTE bits are also set, the processor will redirect program execution to the interrupt vector.

## 7.5 Automatic Context Saving

Upon entering an interrupt, the return PC address is saved on the stack. Additionally, the following registers are automatically saved in the Shadow registers:

- W register
- STATUS register (except for  $\overline{\text{TO}}$  and  $\overline{\text{PD}}$ )
- BSR register
- FSR registers
- PCLATH register

Upon exiting the Interrupt Service Routine, these registers are automatically restored. Any modifications to these registers during the ISR will be lost. If modifications to any of these registers are desired, the corresponding Shadow register should be modified and the value will be restored when exiting the ISR. The Shadow registers are available in Bank 31 and are readable and writable. Depending on the user's application, other registers may also need to be saved.

# PIC12(L)F1501

## 7.6 Interrupt Control Registers

### 7.6.1 INTCON REGISTER

The INTCON register is a readable and writable register, that contains the various enable and flag bits for TMR0 register overflow, interrupt-on-change and external INT pin interrupts.

**Note:** Interrupt flag bits are set when an interrupt condition occurs, regardless of the state of its corresponding enable bit or the Global Interrupt Enable bit, GIE, of the INTCON register. User software should ensure the appropriate interrupt flag bits are clear prior to enabling an interrupt.

#### REGISTER 7-1: INTCON: INTERRUPT CONTROL REGISTER

|         |         |         |         |         |         |         |                      |
|---------|---------|---------|---------|---------|---------|---------|----------------------|
| R/W-0/0 | R/W-0/0 | R/W-0/0 | R/W-0/0 | R/W-0/0 | R/W-0/0 | R/W-0/0 | R-0/0                |
| GIE     | PEIE    | TMR0IE  | INTE    | IOCIE   | TMR0IF  | INTF    | IOCIF <sup>(1)</sup> |
| bit 7   |         |         |         |         |         |         | bit 0                |

**Legend:**

|                      |                      |   |
|----------------------|----------------------|---|
| R = Readable bit     | W = Writable bit     | U = Unimplemented bit, read as '0'                    |
| u = Bit is unchanged | x = Bit is unknown   | -n/n = Value at POR and BOR/Value at all other Resets |
| '1' = Bit is set     | '0' = Bit is cleared |   |

- bit 7      **GIE:** Global Interrupt Enable bit  
1 = Enables all active interrupts  
0 = Disables all interrupts
- bit 6      **PEIE:** Peripheral Interrupt Enable bit  
1 = Enables all active peripheral interrupts  
0 = Disables all peripheral interrupts
- bit 5      **TMROIE:** Timer0 Overflow Interrupt Enable bit  
1 = Enables the Timer0 interrupt  
0 = Disables the Timer0 interrupt
- bit 4      **INTE:** INT External Interrupt Enable bit  
1 = Enables the INT external interrupt  
0 = Disables the INT external interrupt
- bit 3      **IOCIE:** Interrupt-on-Change Enable bit  
1 = Enables the interrupt-on-change  
0 = Disables the interrupt-on-change
- bit 2      **TMR0IF:** Timer0 Overflow Interrupt Flag bit  
1 = TMR0 register has overflowed  
0 = TMR0 register did not overflow
- bit 1      **INTF:** INT External Interrupt Flag bit  
1 = The INT external interrupt occurred  
0 = The INT external interrupt did not occur
- bit 0      **IOCIF:** Interrupt-on-Change Interrupt Flag bit<sup>(1)</sup>  
1 = When at least one of the interrupt-on-change pins changed state  
0 = None of the interrupt-on-change pins have changed state

**Note 1:** The IOCIF Flag bit is read-only and cleared when all the interrupt-on-change flags in the IOCBF register have been cleared by software.

## 7.6.2 PIE1 REGISTER

The PIE1 register contains the interrupt enable bits, as shown in [Register 7-2](#).

**Note:** Bit PEIE of the INTCON register must be set to enable any peripheral interrupt.

### REGISTER 7-2: PIE1: PERIPHERAL INTERRUPT ENABLE REGISTER 1

|         |         |     |     |     |     |         |         |
|---------|---------|-----|-----|-----|-----|---------|---------|
| R/W-0/0 | R/W-0/0 | U-0 | U-0 | U-0 | U-0 | R/W-0/0 | R/W-0/0 |
| TMR1GIE | ADIE    | —   | —   | —   | —   | TMR2IE  | TMR1IE  |
| bit 7   |         |     |     |     |     | bit 0   |         |

#### Legend:

|                      |                      |   |
|----------------------|----------------------|---|
| R = Readable bit     | W = Writable bit     | U = Unimplemented bit, read as '0'                    |
| u = Bit is unchanged | x = Bit is unknown   | -n/n = Value at POR and BOR/Value at all other Resets |
| '1' = Bit is set     | '0' = Bit is cleared |   |

- bit 7      **TMR1GIE:** Timer1 Gate Interrupt Enable bit  
 1 = Enables the Timer1 Gate Acquisition interrupt  
 0 = Disables the Timer1 Gate Acquisition interrupt
- bit 6      **ADIE:** A/D Converter (ADC) Interrupt Enable bit  
 1 = Enables the ADC interrupt  
 0 = Disables the ADC interrupt
- bit 5-2    **Unimplemented:** Read as '0'
- bit 1      **TMR2IE:** TMR2 to PR2 Match Interrupt Enable bit  
 1 = Enables the Timer2 to PR2 match interrupt  
 0 = Disables the Timer2 to PR2 match interrupt
- bit 0      **TMR1IE:** Timer1 Overflow Interrupt Enable bit  
 1 = Enables the Timer1 overflow interrupt  
 0 = Disables the Timer1 overflow interrupt

# PIC12(L)F1501

## 7.6.3 PIE2 REGISTER

The PIE2 register contains the interrupt enable bits, as shown in [Register 7-3](#).

**Note:** Bit PEIE of the INTCON register must be set to enable any peripheral interrupt.

### REGISTER 7-3: PIE2: PERIPHERAL INTERRUPT ENABLE REGISTER 2

|       |     |         |     |     |         |       |     |
|-------|-----|---------|-----|-----|---------|-------|-----|
| U-0   | U-0 | R/W-0/0 | U-0 | U-0 | R/W-0/0 | U-0   | U-0 |
| —     | —   | C1IE    | —   | —   | NCO1IE  | —     | —   |
| bit 7 |     |         |     |     |         | bit 0 |     |

#### Legend:

R = Readable bit

W = Writable bit

U = Unimplemented bit, read as '0'

u = Bit is unchanged

x = Bit is unknown

-n/n = Value at POR and BOR/Value at all other Resets

'1' = Bit is set

'0' = Bit is cleared

bit 7-6 **Unimplemented:** Read as '0'

bit 5 **C1IE:** Comparator C1 Interrupt Enable bit

1 = Enables the Comparator C1 interrupt

0 = Disables the Comparator C1 interrupt

bit 4-3 **Unimplemented:** Read as '0'

bit 2 **NCO1IE:** Numerically Controlled Oscillator Interrupt Enable bit

1 = Enables the NCO interrupt

0 = Disables the NCO interrupt

bit 1-0 **Unimplemented:** Read as '0'

## 7.6.4 PIE3 REGISTER

The PIE3 register contains the interrupt enable bits, as shown in [Register 7-4](#).

**Note:** Bit PEIE of the INTCON register must be set to enable any peripheral interrupt.

### REGISTER 7-4: PIE3: PERIPHERAL INTERRUPT ENABLE REGISTER 3

|       |     |     |     |     |     |         |         |
|-------|-----|-----|-----|-----|-----|---------|---------|
| U-0   | U-0 | U-0 | U-0 | U-0 | U-0 | R/W-0/0 | R/W-0/0 |
| —     | —   | —   | —   | —   | —   | CLC2IE  | CLC1IE  |
| bit 7 |     |     |     |     |     | bit 0   |         |

**Legend:**

|                      |                      |   |
|----------------------|----------------------|---|
| R = Readable bit     | W = Writable bit     | U = Unimplemented bit, read as '0'                    |
| u = Bit is unchanged | x = Bit is unknown   | -n/n = Value at POR and BOR/Value at all other Resets |
| '1' = Bit is set     | '0' = Bit is cleared |   |

- bit 7-2      **Unimplemented:** Read as '0'
- bit 1      **CLC2IE:** Configurable Logic Block 2 Interrupt Enable bit
  - 1 = Enables the CLC 2 interrupt
  - 0 = Disables the CLC 2 interrupt
- bit 0      **CLC1IE:** Configurable Logic Block 1 Interrupt Enable bit
  - 1 = Enables the CLC 1 interrupt
  - 0 = Disables the CLC 1 interrupt

# PIC12(L)F1501

## 7.6.5 PIR1 REGISTER

The PIR1 register contains the interrupt flag bits, as shown in [Register 7-5](#).

**Note:** Interrupt flag bits are set when an interrupt condition occurs, regardless of the state of its corresponding enable bit or the Global Interrupt Enable bit, GIE, of the INTCON register. User software should ensure the appropriate interrupt flag bits are clear prior to enabling an interrupt.

**REGISTER 7-5: PIR1: PERIPHERAL INTERRUPT REQUEST REGISTER 1**

|         |         |     |     |     |     |         |         |
|---------|---------|-----|-----|-----|-----|---------|---------|
| R/W-0/0 | R/W-0/0 | U-0 | U-0 | U-0 | U-0 | R/W-0/0 | R/W-0/0 |
| TMR1GIF | ADIF    | —   | —   | —   | —   | TMR2IF  | TMR1IF  |
| bit 7   |         |     |     |     |     |         | bit 0   |

**Legend:**

R = Readable bit                      W = Writable bit                      U = Unimplemented bit, read as '0'  
u = Bit is unchanged                  x = Bit is unknown                      -n/n = Value at POR and BOR/Value at all other Resets  
'1' = Bit is set                              '0' = Bit is cleared

- bit 7            **TMR1GIF:** Timer1 Gate Interrupt Flag bit  
                  1 = Interrupt is pending  
                  0 = Interrupt is not pending
- bit 6            **ADIF:** A/D Converter Interrupt Flag bit  
                  1 = Interrupt is pending  
                  0 = Interrupt is not pending
- bit 5-2        **Unimplemented:** Read as '0'
- bit 1            **TMR2IF:** Timer2 to PR2 Interrupt Flag bit  
                  1 = Interrupt is pending  
                  0 = Interrupt is not pending
- bit 0            **TMR1IF:** Timer1 Overflow Interrupt Flag bit  
                  1 = Interrupt is pending  
                  0 = Interrupt is not pending

## 7.6.6 PIR2 REGISTER

The PIR2 register contains the interrupt flag bits, as shown in [Register 7-6](#).

**Note:** Interrupt flag bits are set when an interrupt condition occurs, regardless of the state of its corresponding enable bit or the Global Interrupt Enable bit, GIE, of the INTCON register. User software should ensure the appropriate interrupt flag bits are clear prior to enabling an interrupt.

### REGISTER 7-6: PIR2: PERIPHERAL INTERRUPT REQUEST REGISTER 2

|       |     |         |     |     |         |       |     |
|-------|-----|---------|-----|-----|---------|-------|-----|
| U-0   | U-0 | R/W-0/0 | U-0 | U-0 | R/W-0/0 | U-0   | U-0 |
| —     | —   | C1IF    | —   | —   | NCO1IF  | —     | —   |
| bit 7 |     |         |     |     |         | bit 0 |     |

**Legend:**

|                      |                      |   |
|----------------------|----------------------|---|
| R = Readable bit     | W = Writable bit     | U = Unimplemented bit, read as '0'                    |
| u = Bit is unchanged | x = Bit is unknown   | -n/n = Value at POR and BOR/Value at all other Resets |
| '1' = Bit is set     | '0' = Bit is cleared |   |

- bit 7-6      **Unimplemented:** Read as '0'
- bit 5        **C1IF:** Numerically Controlled Oscillator Flag bit
  - 1 = Interrupt is pending
  - 0 = Interrupt is not pending
- bit 4-3      **Unimplemented:** Read as '0'
- bit 2        **NCO1IF:** Numerically Controlled Oscillator Flag bit
  - 1 = Interrupt is pending
  - 0 = Interrupt is not pending
- bit 1-0      **Unimplemented:** Read as '0'

# PIC12(L)F1501

## 7.6.7 PIR3 REGISTER

The PIR3 register contains the interrupt flag bits, as shown in [Register 7-7](#).

**Note:** Interrupt flag bits are set when an interrupt condition occurs, regardless of the state of its corresponding enable bit or the Global Enable bit, GIE, of the INTCON register. User software should ensure the appropriate interrupt flag bits are clear prior to enabling an interrupt.

### REGISTER 7-7: PIR3: PERIPHERAL INTERRUPT REQUEST REGISTER 3

|       |     |     |     |     |     |         |         |
|-------|-----|-----|-----|-----|-----|---------|---------|
| U-0   | U-0 | U-0 | U-0 | U-0 | U-0 | R/W-0/0 | R/W-0/0 |
| —     | —   | —   | —   | —   | —   | CLC2IF  | CLC1IF  |
| bit 7 |     |     |     |     |     | bit 0   |         |

**Legend:**

R = Readable bit

W = Writable bit

U = Unimplemented bit, read as '0'

u = Bit is unchanged

x = Bit is unknown

-n/n = Value at POR and BOR/Value at all other Resets

'1' = Bit is set

'0' = Bit is cleared

bit 7-2 **Unimplemented:** Read as '0'

bit 1 **CLC2IF:** Configurable Logic Block 2 Interrupt Flag bit

1 = Interrupt is pending

0 = Interrupt is not pending

bit 0 **CLC1IF:** Configurable Logic Block 1 Interrupt Flag bit

1 = Interrupt is pending

0 = Interrupt is not pending



**TABLE 7-1: SUMMARY OF REGISTERS ASSOCIATED WITH INTERRUPTS**

| Name       | Bit 7   | Bit 6  | Bit 5  | Bit 4  | Bit 3 | Bit 2   | Bit 1  | Bit 0  | Register on Page |
|------------|---------|--------|--------|--------|-------|---------|--------|--------|------------------|
| INTCON     | GIE     | PEIE   | TMR0IE | INTE   | IOCFE | TMR0IF  | INTF   | IOCF   | 66               |
| OPTION_REG | WPUEN   | INTEDG | TMR0CS | TMR0SE | PSA   | PS<2:0> |        |        | 143              |
| PIE1       | TMR1GIE | ADIE   | —      | —      | —     | —       | TMR2IE | TMR1IE | 67               |
| PIE2       | —       | —      | C1IE   | —      | —     | NCO1IE  | —      | —      | 68               |
| PIE3       | —       | —      | —      | —      | —     | —       | CLC2IE | CLC1IE | 69               |
| PIR1       | TMR1GIF | ADIF   | —      | —      | —     | —       | TMR2IF | TMR1IF | 70               |
| PIR2       | —       | —      | C1IF   | —      | —     | NCO1IF  | —      | —      | 71               |
| PIR3       | —       | —      | —      | —      | —     | —       | CLC2IF | CLC1IF | 72               |

**Legend:** — = unimplemented location, read as '0'. Shaded cells are not used by Interrupts.

# PIC12(L)F1501

---

NOTES:

## 8.0 POWER-DOWN MODE (SLEEP)

The Power-Down mode is entered by executing a `SLEEP` instruction.

Upon entering Sleep mode, the following conditions exist:

1. WDT will be cleared but keeps running, if enabled for operation during Sleep.
2.  $\overline{PD}$  bit of the STATUS register is cleared.
3.  $\overline{TO}$  bit of the STATUS register is set.
4. CPU clock is disabled.
5. 31 kHz LFINTOSC is unaffected and peripherals that operate from it may continue operation in Sleep.
6. ADC is unaffected, if the dedicated FRC clock is selected.
7. I/O ports maintain the status they had before `SLEEP` was executed (driving high, low or high-impedance).
8. Resets other than WDT are not affected by Sleep mode.

Refer to individual chapters for more details on peripheral operation during Sleep.

To minimize current consumption, the following conditions should be considered:

- I/O pins should not be floating
- External circuitry sinking current from I/O pins
- Internal circuitry sourcing current from I/O pins
- Current draw from pins with internal weak pull-ups
- Modules using 31 kHz LFINTOSC
- CWG, NCO and CLC modules using HFINTOSC

I/O pins that are high-impedance inputs should be pulled to  $V_{DD}$  or  $V_{SS}$  externally to avoid switching currents caused by floating inputs.

Examples of internal circuitry that might be sourcing current include the FVR module. See [Section 13.0 “Fixed Voltage Reference \(FVR\)”](#) for more information on this module.

## 8.1 Wake-up from Sleep

The device can wake-up from Sleep through one of the following events:

1. External Reset input on  $\overline{MCLR}$  pin, if enabled
2. BOR Reset, if enabled
3. POR Reset
4. Watchdog Timer, if enabled
5. Any external interrupt
6. Interrupts by peripherals capable of running during Sleep (see individual peripheral for more information)

The first three events will cause a device Reset. The last three events are considered a continuation of program execution. To determine whether a device Reset or wake-up event occurred, refer to [Section 6.11 “Determining the Cause of a Reset”](#).

When the `SLEEP` instruction is being executed, the next instruction ( $PC + 1$ ) is prefetched. For the device to wake-up through an interrupt event, the corresponding interrupt enable bit must be enabled. Wake-up will occur regardless of the state of the GIE bit. If the GIE bit is disabled, the device continues execution at the instruction after the `SLEEP` instruction. If the GIE bit is enabled, the device executes the instruction after the `SLEEP` instruction, the device will then call the Interrupt Service Routine. In cases where the execution of the instruction following `SLEEP` is not desirable, the user should have a `NOP` after the `SLEEP` instruction.

The WDT is cleared when the device wakes up from Sleep, regardless of the source of wake-up.

### 8.1.1 WAKE-UP USING INTERRUPTS

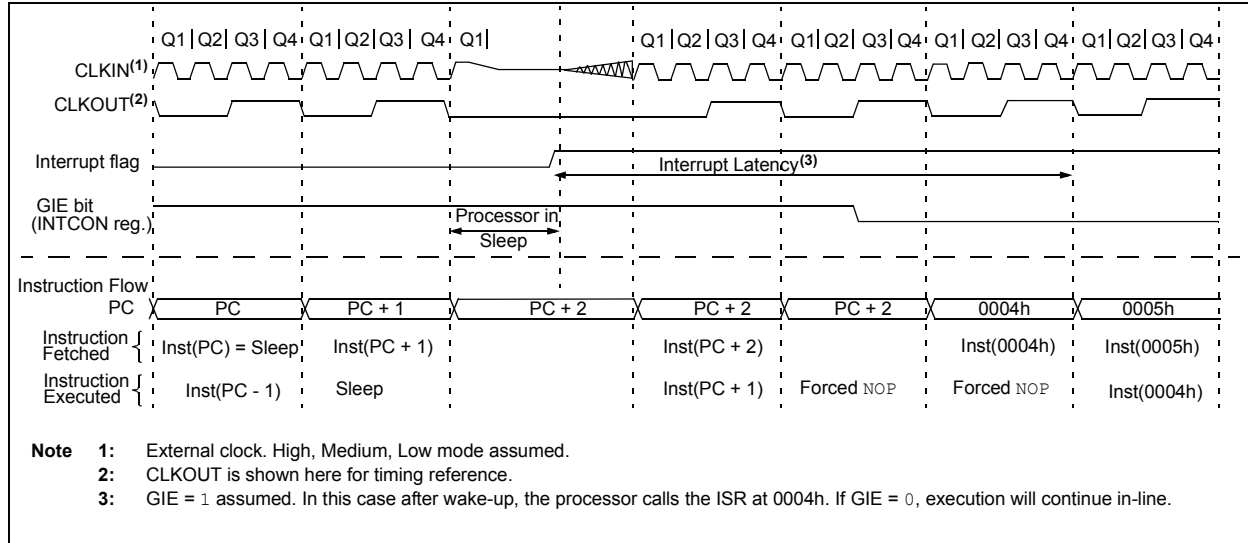
When global interrupts are disabled (GIE cleared) and any interrupt source has both its interrupt enable bit and interrupt flag bit set, one of the following will occur:

- If the interrupt occurs **before** the execution of a `SLEEP` instruction:
  - `SLEEP` instruction will execute as a `NOP`.
  - WDT and WDT prescaler will not be cleared
  - $\overline{TO}$  bit of the STATUS register will not be set
  - $\overline{PD}$  bit of the STATUS register will not be cleared.
- If the interrupt occurs **during or after** the execution of a `SLEEP` instruction:
  - `SLEEP` instruction will be completely executed
  - Device will immediately wake-up from Sleep
  - WDT and WDT prescaler will be cleared
  - $\overline{TO}$  bit of the STATUS register will be set
  - $\overline{PD}$  bit of the STATUS register will be cleared

# PIC12(L)F1501

Even if the flag bits were checked before executing a `SLEEP` instruction, it may be possible for flag bits to become set before the `SLEEP` instruction completes. To determine whether a `SLEEP` instruction executed, test the `PD` bit. If the `PD` bit is set, the `SLEEP` instruction was executed as a `NOP`.

**FIGURE 8-1: WAKE-UP FROM SLEEP THROUGH INTERRUPT**



## 8.2 Low-Power Sleep Mode

The PIC12F1501 device contains an internal Low Dropout (LDO) voltage regulator, which allows the device I/O pins to operate at voltages up to 5.5V while the internal device logic operates at a lower voltage. The LDO and its associated reference circuitry must remain active when the device is in Sleep mode. The PIC12F1501 allows the user to optimize the operating current in Sleep, depending on the application requirements.

A Low-Power Sleep mode can be selected by setting the VREGPM bit of the VREGCON register. With this bit set, the LDO and reference circuitry are placed in a low-power state when the device is in Sleep.

### 8.2.1 SLEEP CURRENT VS. WAKE-UP TIME

In the default operating mode, the LDO and reference circuitry remain in the normal configuration while in Sleep. The device is able to exit Sleep mode quickly since all circuits remain active. In Low-Power Sleep mode, when waking up from Sleep, an extra delay time is required for these circuits to return to the normal configuration and stabilize.

The Low-Power Sleep mode is beneficial for applications that stay in Sleep mode for long periods of time. The Normal mode is beneficial for applications that need to wake from Sleep quickly and frequently.

### 8.2.2 PERIPHERAL USAGE IN SLEEP

Some peripherals that can operate in Sleep mode will not operate properly with the Low-Power Sleep mode selected. The LDO will remain in the Normal Power mode when those peripherals are enabled. The Low-Power Sleep mode is intended for use with these peripherals:

- Brown-Out Reset (BOR)
- Watchdog Timer (WDT)
- External interrupt pin/Interrupt-on-change pins
- Timer1 (with external clock source)

The Complementary Waveform Generator (CWG), the Numerically Controlled Oscillator (NCO) and the Configurable Logic Cell (CLC) modules can utilize the HFINTOSC oscillator as either a clock source or as an input source. Under certain conditions, when the HFINTOSC is selected for use with the CWG, NCO or CLC modules, the HFINTOSC will remain active during Sleep. This will have a direct effect on the Sleep mode current.

Please refer to sections [22.5 “Operation During Sleep”](#), [23.7 “Operation In Sleep”](#) and [24.10 “Operation During Sleep”](#) for more information.

**Note:** The PIC12LF1501 does not have a configurable Low-Power Sleep mode. PIC12LF1501 is an unregulated device and is always in the lowest power state when in Sleep, with no wake-up time penalty. This device has a lower maximum V<sub>DD</sub> and I/O voltage than the PIC12F1501. See [Section 25.0 “Electrical Specifications”](#) for more information.

# PIC12(L)F1501

## REGISTER 8-1: VREGCON: VOLTAGE REGULATOR CONTROL REGISTER<sup>(1)</sup>

|       |     |     |     |     |     |         |          |
|-------|-----|-----|-----|-----|-----|---------|----------|
| U-0   | U-0 | U-0 | U-0 | U-0 | U-0 | R/W-0/0 | R/W-1/1  |
| —     | —   | —   | —   | —   | —   | VREGPM  | Reserved |
| bit 7 |     |     |     |     |     | bit 0   |          |

### Legend:

|                      |                      |   |
|----------------------|----------------------|---|
| R = Readable bit     | W = Writable bit     | U = Unimplemented bit, read as '0'                    |
| u = Bit is unchanged | x = Bit is unknown   | -n/n = Value at POR and BOR/Value at all other Resets |
| '1' = Bit is set     | '0' = Bit is cleared |   |

bit 7-2 **Unimplemented:** Read as '0'

bit 1 VREGPM: Voltage Regulator Power Mode Selection bit

- 1 = Low-Power Sleep mode enabled in Sleep  
Draws lowest current in Sleep, slower wake-up
- 0 = Normal Power mode enabled in Sleep  
Draws higher current in Sleep, faster wake-up

bit 0 **Reserved:** Read as '1'. Maintain this bit set.

**Note 1:** PIC12F1501 only.

**TABLE 8-1: SUMMARY OF REGISTERS ASSOCIATED WITH POWER-DOWN MODE**

| Name   | Bit 7   | Bit 6 | Bit 5      | Bit 4           | Bit 3           | Bit 2  | Bit 1  | Bit 0  | Register on Page |
|--------|---------|-------|------------|-----------------|-----------------|--------|--------|--------|------------------|
| INTCON | GIE     | PEIE  | TMR0IE     | INTE            | IOCFIE          | TMR0IF | INTF   | IOCFIF | 66               |
| IOCAF  | —       | —     | IOCAF5     | IOCAF4          | IOCAF3          | IOCAF2 | IOCAF1 | IOCAF0 | 107              |
| IOCAN  | —       | —     | IOCAN5     | IOCAN4          | IOCAN3          | IOCAN2 | IOCAN1 | IOCAN0 | 107              |
| IOCAP  | —       | —     | IOCAP5     | IOCAP4          | IOCAP3          | IOCAP2 | IOCAP1 | IOCAP0 | 107              |
| PIE1   | TMR1GIE | ADIE  | —          | —               | —               | —      | TMR2IE | TMR1IE | 67               |
| PIE2   | —       | —     | C1IE       | —               | —               | NCO1IE | —      | —      | 68               |
| PIE3   | —       | —     | —          | —               | —               | —      | CLC2IE | CLC1IE | 69               |
| PIR1   | TMR1GIF | ADIF  | —          | —               | —               | —      | TMR2IF | TMR1IF | 70               |
| PIR2   | —       | —     | C1IF       | —               | —               | NCO1IF | —      | —      | 71               |
| PIR3   | —       | —     | —          | —               | —               | —      | CLC2IF | CLC1IF | 72               |
| STATUS | —       | —     | —          | $\overline{TO}$ | $\overline{PD}$ | Z      | DC     | C      | 18               |
| WDTCON | —       | —     | WDTPS<4:0> |                 |                 |        |        | SWDTEN | 81               |

**Legend:** — = unimplemented, read as '0'. Shaded cells are not used in Power-Down mode.

## 9.0 WATCHDOG TIMER

The Watchdog Timer is a system timer that generates a Reset if the firmware does not issue a `CLRWDT` instruction within the time-out period. The Watchdog Timer is typically used to recover the system from unexpected events.

The WDT has the following features:

- Independent clock source
- Multiple operating modes
  - WDT is always on
  - WDT is off when in Sleep
  - WDT is controlled by software
  - WDT is always off
- Configurable time-out period is from 1 ms to 256 seconds (typical)
- Multiple Reset conditions
- Operation during Sleep

**FIGURE 9-1: WATCHDOG TIMER BLOCK DIAGRAM**



# PIC12(L)F1501

## 9.1 Independent Clock Source

The WDT derives its time base from the 31 kHz LFINTOSC internal oscillator. Time intervals in this chapter are based on a nominal interval of 1 ms. See [Section 27.0 “Electrical Specifications”](#) for the LFINTOSC tolerances.

## 9.2 WDT Operating Modes

The Watchdog Timer module has four operating modes controlled by the WDTE<1:0> bits in Configuration Words. See [Table 9-1](#).

### 9.2.1 WDT IS ALWAYS ON

When the WDTE bits of Configuration Words are set to ‘11’, the WDT is always on.

WDT protection is active during Sleep.

### 9.2.2 WDT IS OFF IN SLEEP

When the WDTE bits of Configuration Words are set to ‘10’, the WDT is on, except in Sleep.

WDT protection is not active during Sleep.

### 9.2.3 WDT CONTROLLED BY SOFTWARE

When the WDTE bits of Configuration Words are set to ‘01’, the WDT is controlled by the SWDTEN bit of the WDTCON register.

WDT protection is unchanged by Sleep. See [Table 9-1](#) for more details.

**TABLE 9-1: WDT OPERATING MODES**

| WDTE<1:0> | SWDTEN | Device Mode | WDT Mode |
|-----------|--------|-------------|----------|
| 11        | X      | X           | Active   |
| 10        | X      | Awake       | Active   |
|           |        | Sleep       | Disabled |
| 01        | 1      | X           | Active   |
|           | 0      |             | Disabled |
| 00        | X      | X           | Disabled |

**TABLE 9-2: WDT CLEARING CONDITIONS**

| Conditions                                 | WDT        |
|--|------------|
| WDTE<1:0> = 00                             | Cleared    |
| WDTE<1:0> = 01 and SWDTEN = 0              |            |
| WDTE<1:0> = 10 and enter Sleep             |            |
| CLRWDT Command                             |            |
| Oscillator Fail Detected                   |            |
| Exit Sleep + System Clock = INTOSC, EXTCLK |            |
| Change INTOSC divider (IRCF bits)          | Unaffected |

## 9.3 Time-Out Period

The WDTPS bits of the WDTCON register set the time-out period from 1 ms to 256 seconds (nominal). After a Reset, the default time-out period is 2 seconds.

## 9.4 Clearing the WDT

The WDT is cleared when any of the following conditions occur:

- Any Reset
- CLRWDT instruction is executed
- Device enters Sleep
- Device wakes up from Sleep
- Oscillator fail
- WDT is disabled

See [Table 9-2](#) for more information.

## 9.5 Operation During Sleep

When the device enters Sleep, the WDT is cleared. If the WDT is enabled during Sleep, the WDT resumes counting. When the device exits Sleep, the WDT is cleared again.

When a WDT time-out occurs while the device is in Sleep, no Reset is generated. Instead, the device wakes up and resumes operation. The  $\overline{TO}$  and  $\overline{PD}$  bits in the STATUS register are changed to indicate the event. The  $\overline{RWDT}$  bit in the PCON register can also be used. See [Section 3.0 “Memory Organization”](#) for more information.



## 9.6 Watchdog Control Register

### REGISTER 9-1: WDTCON: WATCHDOG TIMER CONTROL REGISTER

| U-0   | U-0 | R/W-0/0    | R/W-1/1 | R/W-0/0 | R/W-1/1 | R/W-1/1 | R/W-0/0 |
|-------|-----|------------|---------|---------|---------|---------|---------|
| —     | —   | WDTPS<4:0> |         |         |         |         | SWDTEN  |
| bit 7 |     |            |         |         |         |         | bit 0   |

#### Legend:

|                      |                      |   |
|----------------------|----------------------|---|
| R = Readable bit     | W = Writable bit     | U = Unimplemented bit, read as '0'                    |
| u = Bit is unchanged | x = Bit is unknown   | -n/n = Value at POR and BOR/Value at all other Resets |
| '1' = Bit is set     | '0' = Bit is cleared |   |

bit 7-6 **Unimplemented:** Read as '0'

bit 5-1 **WDTPS<4:0>:** Watchdog Timer Period Select bits<sup>(1)</sup>

Bit Value = Prescale Rate

|       |  |
|-------|--|
| 00000 | = 1:32 (Interval 1 ms nominal)                   |
| 00001 | = 1:64 (Interval 2 ms nominal)                   |
| 00010 | = 1:128 (Interval 4 ms nominal)                  |
| 00011 | = 1:256 (Interval 8 ms nominal)                  |
| 00100 | = 1:512 (Interval 16 ms nominal)                 |
| 00101 | = 1:1024 (Interval 32 ms nominal)                |
| 00110 | = 1:2048 (Interval 64 ms nominal)                |
| 00111 | = 1:4096 (Interval 128 ms nominal)               |
| 01000 | = 1:8192 (Interval 256 ms nominal)               |
| 01001 | = 1:16384 (Interval 512 ms nominal)              |
| 01010 | = 1:32768 (Interval 1s nominal)                  |
| 01011 | = 1:65536 (Interval 2s nominal) (Reset value)    |
| 01100 | = 1:131072 ( $2^{17}$ ) (Interval 4s nominal)    |
| 01101 | = 1:262144 ( $2^{18}$ ) (Interval 8s nominal)    |
| 01110 | = 1:524288 ( $2^{19}$ ) (Interval 16s nominal)   |
| 01111 | = 1:1048576 ( $2^{20}$ ) (Interval 32s nominal)  |
| 10000 | = 1:2097152 ( $2^{21}$ ) (Interval 64s nominal)  |
| 10001 | = 1:4194304 ( $2^{22}$ ) (Interval 128s nominal) |
| 10010 | = 1:8388608 ( $2^{23}$ ) (Interval 256s nominal) |

10011 = Reserved. Results in minimum interval (1:32)

•  
•  
•

11111 = Reserved. Results in minimum interval (1:32)

bit 0 **SWDTEN:** Software Enable/Disable for Watchdog Timer bit

If WDTE<1:0> = 00:

This bit is ignored.

If WDTE<1:0> = 01:

1 = WDT is turned on

0 = WDT is turned off

If WDTE<1:0> = 1x:

This bit is ignored.

**Note 1:** Times are approximate. WDT time is based on 31 kHz LFINTOSC.

# PIC12(L)F1501

**TABLE 9-3: SUMMARY OF REGISTERS ASSOCIATED WITH WATCHDOG TIMER**

| Name   | Bit 7  | Bit 6     | Bit 5      | Bit 4         | Bit 3      | Bit 2 | Bit 1    | Bit 0  | Register on Page |
|--------|--------|-----------|------------|---------------|------------|-------|----------|--------|------------------|
| OSCCON | —      | IRCF<3:0> |            |               |            | —     | SCS<1:0> |        | 51               |
| PCON   | STKOVF | STKUNF    | —          | RWD $\bar{T}$ | RMCLR      | RI    | POR      | BOR    | 59               |
| STATUS | —      | —         | —          | $\bar{T}O$    | $\bar{P}D$ | Z     | DC       | C      | 18               |
| WDTCON | —      | —         | WDTPS<4:0> |               |            |       | —        | SWDTEN | 81               |

**Legend:** x = unknown, u = unchanged, — = unimplemented locations read as '0'. Shaded cells are not used by Watchdog Timer.

**TABLE 9-4: SUMMARY OF CONFIGURATION WORD WITH WATCHDOG TIMER**

| Name    | Bits | Bit -/7    | Bit -/6 | Bit 13/5      | Bit 12/4  | Bit 11/3 | Bit 10/2   | Bit 9/1   | Bit 8/0 | Register on Page |
|---------|------|------------|---------|---------------|-----------|----------|------------|-----------|---------|------------------|
| CONFIG1 | 13:8 | —          | —       | —             | —         | CLKOUTEN | BOREN<1:0> |           | —       | 40               |
|         | 7:0  | $\bar{C}P$ | MCLRE   | $\bar{P}WRTE$ | WDTE<1:0> |          | —          | FOSC<1:0> |         |                  |

**Legend:** — = unimplemented location, read as '0'. Shaded cells are not used by Watchdog Timer.

## 10.0 FLASH PROGRAM MEMORY CONTROL

The Flash program memory is readable and writable during normal operation over the full VDD range. Program memory is indirectly addressed using Special Function Registers (SFRs). The SFRs used to access program memory are:

- PMCON1
- PMCON2
- PMDATL
- PMDATH
- PMADRL
- PMADRH

When accessing the program memory, the PMDATH:PMDATL register pair forms a 2-byte word that holds the 14-bit data for read/write, and the PMADRH:PMADRL register pair forms a 2-byte word that holds the 15-bit address of the program memory location being read.

The write time is controlled by an on-chip timer. The write/erase voltages are generated by an on-chip charge pump.

The Flash program memory can be protected in two ways; by code protection ( $\overline{CP}$  bit in Configuration Words) and write protection (WRT<1:0> bits in Configuration Words).

Code protection ( $\overline{CP} = 0$ )<sup>(1)</sup>, disables access, reading and writing, to the Flash program memory via external device programmers. Code protection does not affect the self-write and erase functionality. Code protection can only be reset by a device programmer performing a Bulk Erase to the device, clearing all Flash program memory, Configuration bits and User IDs.

Write protection prohibits self-write and erase to a portion or all of the Flash program memory as defined by the bits WRT<1:0>. Write protection does not affect a device programmers ability to read, write or erase the device.

**Note 1:** Code protection of the entire Flash program memory array is enabled by clearing the  $\overline{CP}$  bit of Configuration Words.

### 10.1 PMADRL and PMADRH Registers

The PMADRH:PMADRL register pair can address up to a maximum of 16K words of program memory. When selecting a program address value, the MSB of the address is written to the PMADRH register and the LSB is written to the PMADRL register.

#### 10.1.1 PMCON1 AND PMCON2 REGISTERS

PMCON1 is the control register for Flash program memory accesses.

Control bits RD and WR initiate read and write, respectively. These bits cannot be cleared, only set, in software. They are cleared by hardware at completion of the read or write operation. The inability to clear the WR bit in software prevents the accidental, premature termination of a write operation.

The WREN bit, when set, will allow a write operation to occur. On power-up, the WREN bit is clear. The WRERR bit is set when a write operation is interrupted by a Reset during normal operation. In these situations, following Reset, the user can check the WRERR bit and execute the appropriate error handling routine.

The PMCON2 register is a write-only register. Attempting to read the PMCON2 register will return all '0's.

To enable writes to the program memory, a specific pattern (the unlock sequence), must be written to the PMCON2 register. The required unlock sequence prevents inadvertent writes to the program memory write latches and Flash program memory.

### 10.2 Flash Program Memory Overview

It is important to understand the Flash program memory structure for erase and programming operations. Flash program memory is arranged in rows. A row consists of a fixed number of 14-bit program memory words. A row is the minimum size that can be erased by user software.

After a row has been erased, the user can reprogram all or a portion of this row. Data to be written into the program memory row is written to 14-bit wide data write latches. These write latches are not directly accessible to the user, but may be loaded via sequential writes to the PMDATH:PMDATL register pair.

**Note:** If the user wants to modify only a portion of a previously programmed row, then the contents of the entire row must be read and saved in RAM prior to the erase. Then, new data and retained data can be written into the write latches to reprogram the row of Flash program memory. However, any unprogrammed locations can be written without first erasing the row. In this case, it is not necessary to save and rewrite the other previously programmed locations.

See Table 10-1 for Erase Row size and the number of write latches for Flash program memory.

**TABLE 10-1: FLASH MEMORY ORGANIZATION BY DEVICE**

| Device      | Row Erase (words) | Write Latches (words) |
|-------------|-------------------|-----------------------|
| PIC12F1501  | 16                | 16                    |
| PIC12LF1501 |                   |                       |

# PIC12(L)F1501

## 10.2.1 READING THE FLASH PROGRAM MEMORY

To read a program memory location, the user must:

1. Write the desired address to the PMADRH:PMADRL register pair.
2. Clear the CFGS bit of the PMCON1 register.
3. Then, set control bit RD of the PMCON1 register.

Once the read control bit is set, the program memory Flash controller will use the second instruction cycle to read the data. This causes the second instruction immediately following the "BSF PMCON1, RD" instruction to be ignored. The data is available in the very next cycle, in the PMDATH:PMDATL register pair; therefore, it can be read as two bytes in the following instructions.

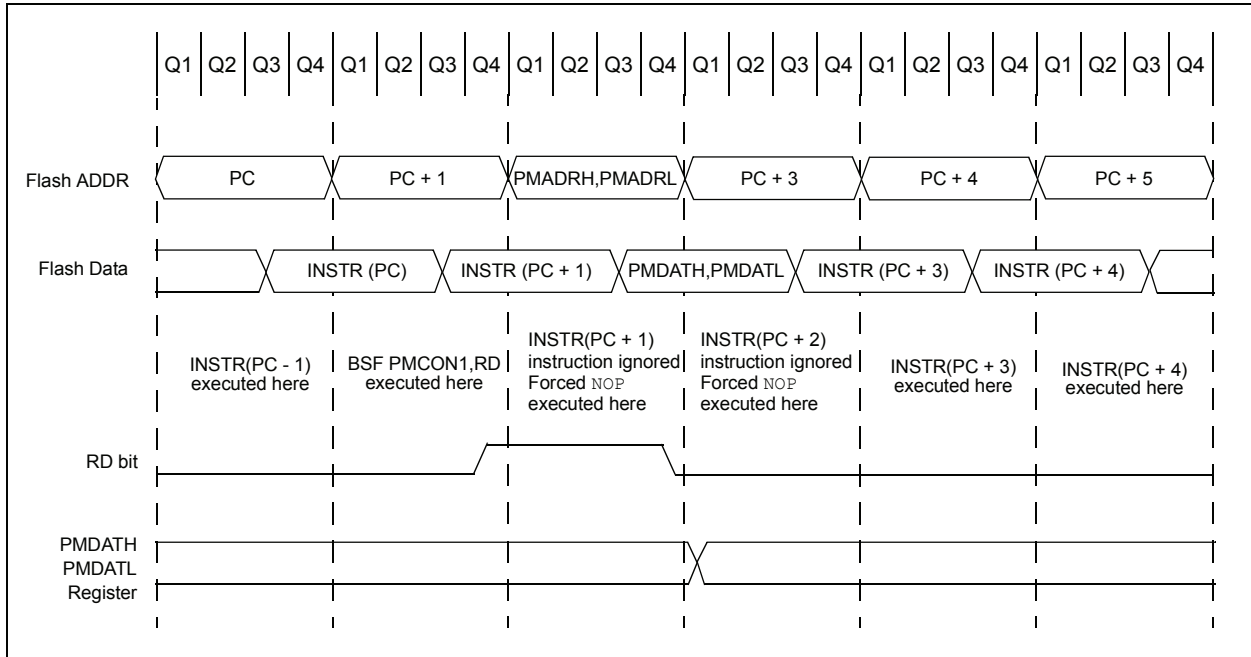
PMDATH:PMDATL register pair will hold this value until another read or until it is written to by the user.

**Note:** The two instructions following a program memory read are required to be NOPs. This prevents the user from executing a two-cycle instruction on the next instruction after the RD bit is set.

**FIGURE 10-1: FLASH PROGRAM MEMORY READ FLOWCHART**



**FIGURE 10-2: FLASH PROGRAM MEMORY READ CYCLE EXECUTION**



**EXAMPLE 10-1: FLASH PROGRAM MEMORY READ**

```

* This code block will read 1 word of program
* memory at the memory address:
  PROG_ADDR_HI: PROG_ADDR_LO
* data will be returned in the variables;
*  PROG_DATA_HI, PROG_DATA_LO

  BANKSEL  PMADRL          ; Select Bank for PCON registers
  MOVLW   PROG_ADDR_LO    ;
  MOVWF   PMADRL          ; Store LSB of address
  MOVLW   PROG_ADDR_HI    ;
  MOVWF   PMADRH          ; Store MSB of address

  BCF     PMCON1,CFGSS    ; Do not select Configuration Space
  BSF     PMCON1,RD       ; Initiate read
  NOP     ; Ignored (Figure 10-2)
  NOP     ; Ignored (Figure 10-2)

  MOVF    PMDATL,W        ; Get LSB of word
  MOVWF   PROG_DATA_LO    ; Store in user location
  MOVF    PMDATH,W        ; Get MSB of word
  MOVWF   PROG_DATA_HI    ; Store in user location
    
```

# PIC12(L)F1501

## 10.2.2 FLASH MEMORY UNLOCK SEQUENCE

The unlock sequence is a mechanism that protects the Flash program memory from unintended self-write programming or erasing. The sequence must be executed and completed without interruption to successfully complete any of the following operations:

- Row Erase
- Load program memory write latches
- Write of program memory write latches to program memory
- Write of program memory write latches to User IDs

The unlock sequence consists of the following steps:

1. Write 55h to PMCON2
2. Write AAh to PMCON2
3. Set the WR bit in PMCON1
4. NOP instruction
5. NOP instruction

Once the WR bit is set, the processor will always force two NOP instructions. When an Erase Row or Program Row operation is being performed, the processor will stall internal operations (typical 2 ms), until the operation is complete and then resume with the next instruction. When the operation is loading the program memory write latches, the processor will always force the two NOP instructions and continue uninterrupted with the next instruction.

Since the unlock sequence must not be interrupted, global interrupts should be disabled prior to the unlock sequence and re-enabled after the unlock sequence is completed.

**FIGURE 10-3: FLASH PROGRAM MEMORY UNLOCK SEQUENCE FLOWCHART**



## 10.2.3 ERASING FLASH PROGRAM MEMORY

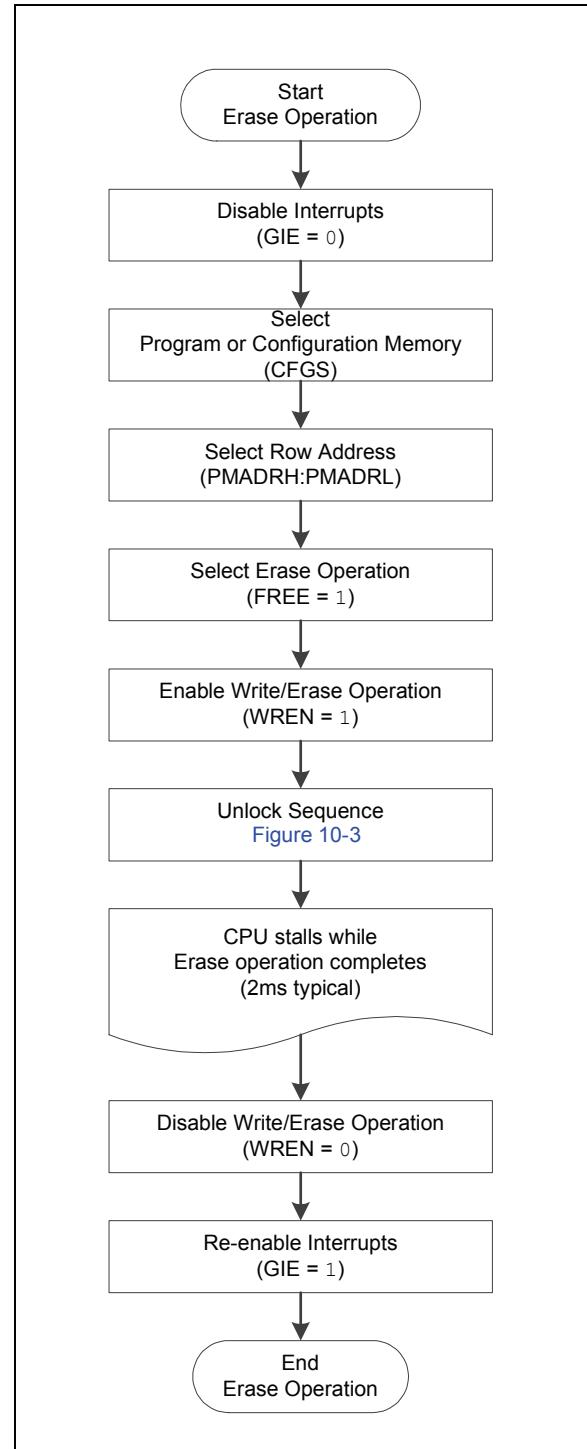
While executing code, program memory can only be erased by rows. To erase a row:

1. Load the PMADRH:PMADRL register pair with any address within the row to be erased.
2. Clear the CFGS bit of the PMCON1 register.
3. Set the FREE and WREN bits of the PMCON1 register.
4. Write 55h, then AAh, to PMCON2 (Flash programming unlock sequence).
5. Set control bit WR of the PMCON1 register to begin the erase operation.

See [Example 10-2](#).

After the “BSF PMCON1, WR” instruction, the processor requires two cycles to set up the erase operation. The user must place two NOP instructions after the WR bit is set. The processor will halt internal operations for the typical 2 ms erase time. This is not Sleep mode as the clocks and peripherals will continue to run. After the erase cycle, the processor will resume operation with the third instruction after the PMCON1 write instruction.

**FIGURE 10-4: FLASH PROGRAM MEMORY ERASE FLOWCHART**



# PIC12(L)F1501

## EXAMPLE 10-2: ERASING ONE ROW OF PROGRAM MEMORY

```
; This row erase routine assumes the following:
; 1. A valid address within the erase row is loaded in ADDRH:ADDRL
; 2. ADDRH and ADDRL are located in shared data memory 0x70 - 0x7F (common RAM)

        BCF      INTCON,GIE      ; Disable ints so required sequences will execute properly
        BANKSEL PMADRL
        MOVF     ADDRL,W         ; Load lower 8 bits of erase address boundary
        MOVWF   PMADRL
        MOVF     ADDRH,W        ; Load upper 6 bits of erase address boundary
        MOVWF   PMADRH
        BCF     PMCON1,CFGSR    ; Not configuration space
        BSF     PMCON1,FREER    ; Specify an erase operation
        BSF     PMCON1,WREN     ; Enable writes

        MOVLW   55h            ; Start of required sequence to initiate erase
        MOVWF   PMCON2         ; Write 55h
        MOVLW   0AAh          ;
        MOVWF   PMCON2         ; Write AAh
        BSF     PMCON1,WR      ; Set WR bit to begin erase
        NOP     ; NOP instructions are forced as processor starts
        NOP     ; row erase of program memory.
        ;
        ; The processor stalls until the erase process is complete
        ; after erase processor continues with 3rd instruction

        BCF     PMCON1,WREN    ; Disable writes
        BSF     INTCON,GIE     ; Enable interrupts
```

Required  
Sequence



## 10.2.4 WRITING TO FLASH PROGRAM MEMORY

Program memory is programmed using the following steps:

1. Load the address in PMADRH:PMADRL of the row to be programmed.
2. Load each write latch with data.
3. Initiate a programming operation.
4. Repeat steps 1 through 3 until all data is written.

Before writing to program memory, the word(s) to be written must be erased or previously unwritten. Program memory can only be erased one row at a time. No automatic erase occurs upon the initiation of the write.

Program memory can be written one or more words at a time. The maximum number of words written at one time is equal to the number of write latches. See [Figure 10-5](#) (row writes to program memory with 16 write latches) for more details.

The write latches are aligned to the Flash row address boundary defined by the upper 11-bits of PMADRH:PMADRL, (PMADRH<6:0>:PMADRL<7:4>) with the lower 4-bits of PMADRL, (PMADRL<3:0>) determining the write latch being loaded. Write operations do not cross these boundaries. At the completion of a program memory write operation, the data in the write latches is reset to contain 0x3FFF.

The following steps should be completed to load the write latches and program a row of program memory. These steps are divided into two parts. First, each write latch is loaded with data from the PMDATH:PMDATL using the unlock sequence with LWLO = 1. When the last word to be loaded into the write latch is ready, the LWLO bit is cleared and the unlock sequence executed. This initiates the programming operation, writing all the latches into Flash program memory.

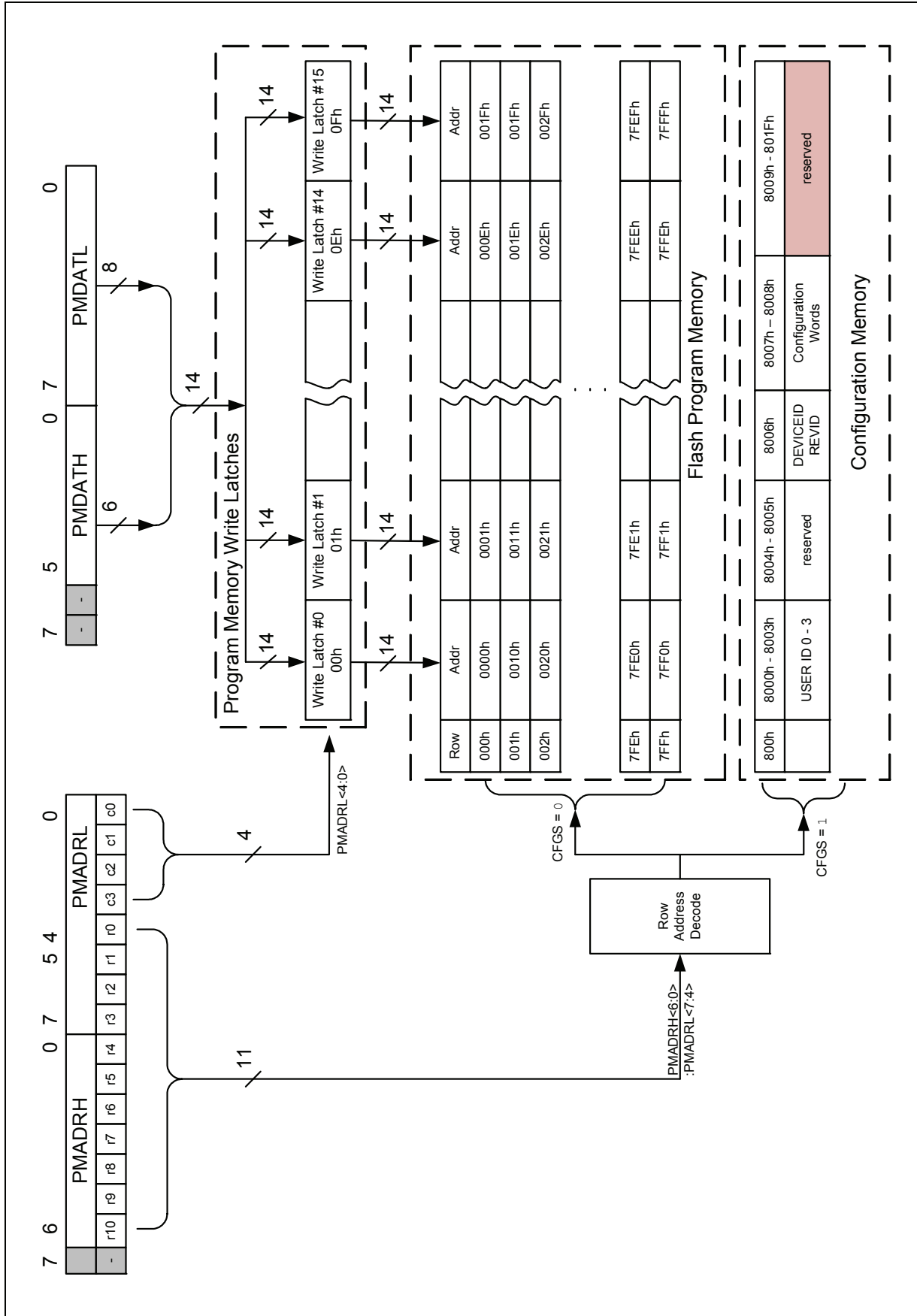
**Note:** The special unlock sequence is required to load a write latch with data or initiate a Flash programming operation. If the unlock sequence is interrupted, writing to the latches or program memory will not be initiated.

1. Set the WREN bit of the PMCON1 register.
2. Clear the CFGS bit of the PMCON1 register.
3. Set the LWLO bit of the PMCON1 register. When the LWLO bit of the PMCON1 register is '1', the write sequence will only load the write latches and will not initiate the write to Flash program memory.
4. Load the PMADRH:PMADRL register pair with the address of the location to be written.
5. Load the PMDATH:PMDATL register pair with the program memory data to be written.
6. Execute the unlock sequence ([Section 10.2.2 "Flash Memory Unlock Sequence"](#)). The write latch is now loaded.
7. Increment the PMADRH:PMADRL register pair to point to the next location.
8. Repeat steps 5 through 7 until all but the last write latch has been loaded.
9. Clear the LWLO bit of the PMCON1 register. When the LWLO bit of the PMCON1 register is '0', the write sequence will initiate the write to Flash program memory.
10. Load the PMDATH:PMDATL register pair with the program memory data to be written.
11. Execute the unlock sequence ([Section 10.2.2 "Flash Memory Unlock Sequence"](#)). The entire program memory latch content is now written to Flash program memory.

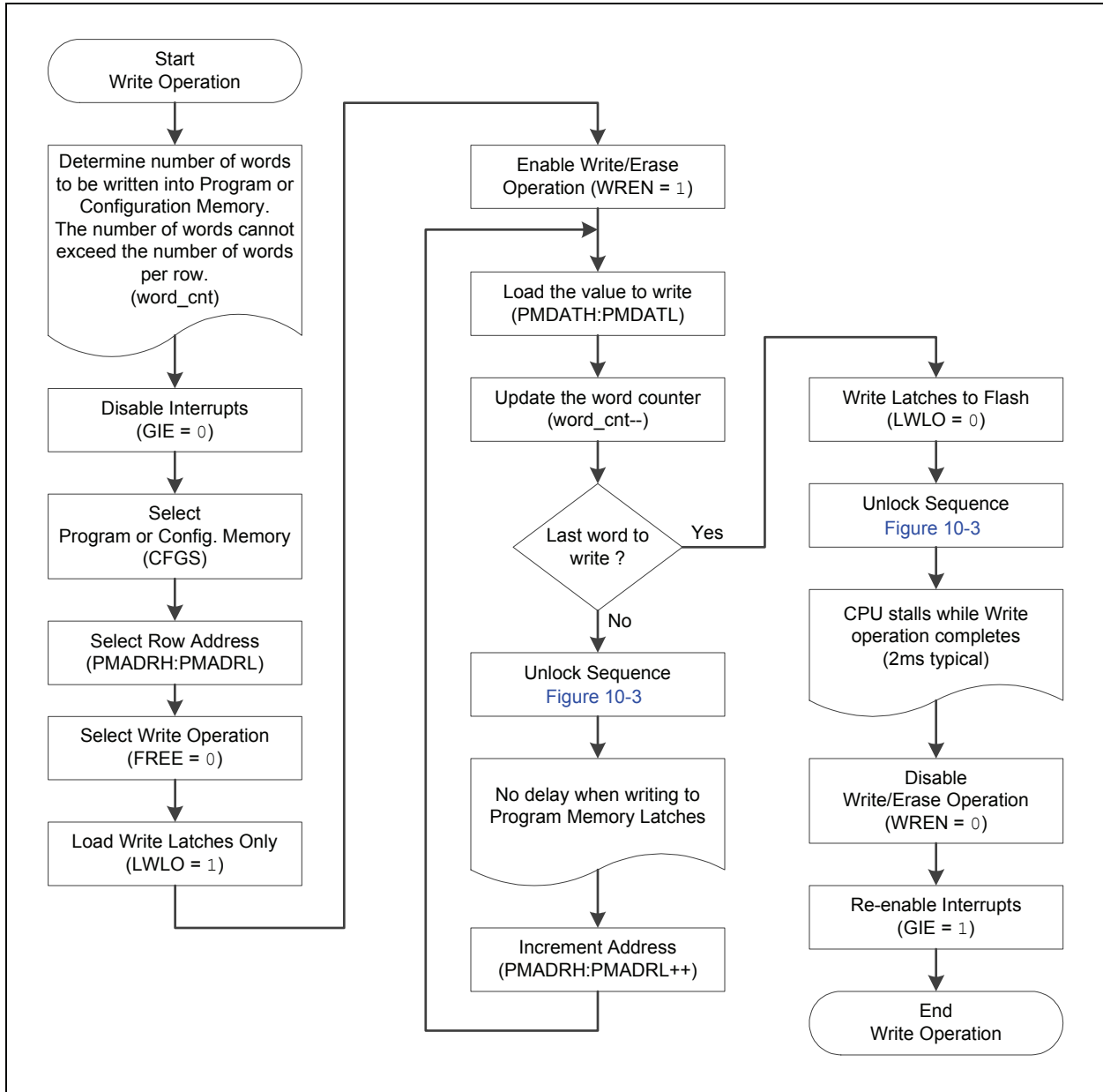
**Note:** The program memory write latches are reset to the blank state (0x3FFF) at the completion of every write or erase operation. As a result, it is not necessary to load all the program memory write latches. Unloaded latches will remain in the blank state.

An example of the complete write sequence is shown in [Example 10-3](#). The initial address is loaded into the PMADRH:PMADRL register pair; the data is loaded using indirect addressing.

**FIGURE 10-5: BLOCK WRITES TO FLASH PROGRAM MEMORY WITH 16 WRITE LATCHES**



**FIGURE 10-6: FLASH PROGRAM MEMORY WRITE FLOWCHART**



# PIC12(L)F1501

## EXAMPLE 10-3: WRITING TO FLASH PROGRAM MEMORY

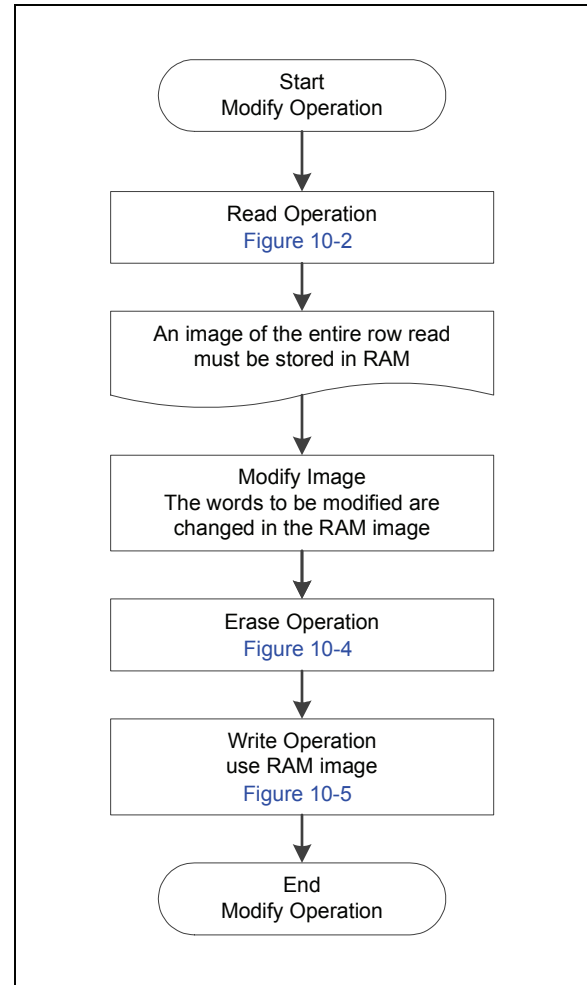
```
; This write routine assumes the following:
; 1. 32 bytes of data are loaded, starting at the address in DATA_ADDR
; 2. Each word of data to be written is made up of two adjacent bytes in DATA_ADDR,
; stored in little endian format
; 3. A valid starting address (the least significant bits = 00000) is loaded in ADDRH:ADDRL
; 4. ADDRH and ADDRL are located in shared data memory 0x70 - 0x7F (common RAM)
;
      BCF      INTCON,GIE      ; Disable ints so required sequences will execute properly
      BANKSEL PMADRH         ; Bank 3
      MOVF    ADDRH,W         ; Load initial address
      MOVWF   PMADRH         ;
      MOVF    ADDRL,W         ;
      MOVWF   PMADRL        ;
      MOVLW  LOW DATA_ADDR  ; Load initial data address
      MOVWF   FSR0L         ;
      MOVLW  HIGH DATA_ADDR ; Load initial data address
      MOVWF   FSR0H         ;
      BCF    PMCON1,CFGSS    ; Not configuration space
      BSF    PMCON1,WREN     ; Enable writes
      BSF    PMCON1,LWLO     ; Only Load Write Latches
LOOP
      MOVIW  FSR0++         ; Load first data byte into lower
      MOVWF  PMDATL        ;
      MOVIW  FSR0++         ; Load second data byte into upper
      MOVWF  PMDATH        ;
      MOVF   PMADRL,W       ; Check if lower bits of address are '00000'
      XORLW  0x0F          ; Check if we're on the last of 16 addresses
      ANDLW  0x0F          ;
      BTFSC  STATUS,Z       ; Exit if last of 16 words,
      GOTO   START_WRITE   ;
      [ Required Sequence
      MOVLW  55h           ; Start of required write sequence:
      MOVWF  PMCON2        ; Write 55h
      MOVLW  0AAh          ;
      MOVWF  PMCON2        ; Write AAh
      BSF    PMCON1,WR     ; Set WR bit to begin write
      NOP    ; NOP instructions are forced as processor
      ; loads program memory write latches
      NOP    ;
      INCF   PMADRL,F      ; Still loading latches Increment address
      GOTO   LOOP         ; Write next latches
      ]
START_WRITE
      BCF    PMCON1,LWLO   ; No more loading latches - Actually start Flash program
      ; memory write
      [ Required Sequence
      MOVLW  55h           ; Start of required write sequence:
      MOVWF  PMCON2        ; Write 55h
      MOVLW  0AAh          ;
      MOVWF  PMCON2        ; Write AAh
      BSF    PMCON1,WR     ; Set WR bit to begin write
      NOP    ; NOP instructions are forced as processor writes
      ; all the program memory write latches simultaneously
      ; to program memory.
      NOP    ; After NOPs, the processor
      ; stalls until the self-write process is complete
      ; after write processor continues with 3rd instruction
      BCF    PMCON1,WREN   ; Disable writes
      BSF    INTCON,GIE    ; Enable interrupts
      ]
```

## 10.3 Modifying Flash Program Memory

When modifying existing data in a program memory row, and data within that row must be preserved, it must first be read and saved in a RAM image. Program memory is modified using the following steps:

1. Load the starting address of the row to be modified.
2. Read the existing data from the row into a RAM image.
3. Modify the RAM image to contain the new data to be written into program memory.
4. Load the starting address of the row to be rewritten.
5. Erase the program memory row.
6. Load the write latches with data from the RAM image.
7. Initiate a programming operation.

**FIGURE 10-7: FLASH PROGRAM MEMORY MODIFY FLOWCHART**



# PIC12(L)F1501

## 10.4 User ID, Device ID and Configuration Word Access

Instead of accessing program memory, the User ID's, Device ID/Revision ID and Configuration Words can be accessed when  $CFG5 = 1$  in the PMCON1 register. This is the region that would be pointed to by  $PC<15> = 1$ , but not all addresses are accessible. Different access may exist for reads and writes. Refer to [Table 10-2](#).

When read access is initiated on an address outside the parameters listed in [Table 10-2](#), the PMDATH:PMDATL register pair is cleared, reading back '0's.

**TABLE 10-2: USER ID, DEVICE ID AND CONFIGURATION WORD ACCESS (CFG5 = 1)**

| Address     | Function                    | Read Access | Write Access |
|-------------|-----------------------------|-------------|--------------|
| 8000h-8003h | User IDs                    | Yes         | Yes          |
| 8006h       | Device ID/Revision ID       | Yes         | No           |
| 8007h-8008h | Configuration Words 1 and 2 | Yes         | No           |

### EXAMPLE 10-4: CONFIGURATION WORD AND DEVICE ID ACCESS

```
* This code block will read 1 word of program memory at the memory address:
*   PROG_ADDR_LO (must be 00h-08h) data will be returned in the variables;
*   PROG_DATA_HI, PROG_DATA_LO

BANKSEL  PMADRL          ; Select correct Bank
MOVLW    PROG_ADDR_LO   ;
MOVWF    PMADRL         ; Store LSB of address
CLRF     PMADRH         ; Clear MSB of address

BSF      PMCON1,CFG5    ; Select Configuration Space
BCF      INTCON,GIE     ; Disable interrupts
BSF      PMCON1,RD      ; Initiate read
NOP      ; Executed (See Figure 10-2)
NOP      ; Ignored (See Figure 10-2)
BSF      INTCON,GIE     ; Restore interrupts

MOVF     PMDATL,W       ; Get LSB of word
MOVWF    PROG_DATA_LO   ; Store in user location
MOVF     PMDATH,W       ; Get MSB of word
MOVWF    PROG_DATA_HI   ; Store in user location
```

## 10.5 Write Verify

It is considered good programming practice to verify that program memory writes agree with the intended value. Since program memory is stored as a full page then the stored program memory contents are compared with the intended data stored in RAM after the last write is complete.

**FIGURE 10-8: FLASH PROGRAM MEMORY VERIFY FLOWCHART**



# PIC12(L)F1501

## 10.6 Flash Program Memory Control Registers

### REGISTER 10-1: PMDATL: PROGRAM MEMORY DATA LOW BYTE REGISTER

|            |         |         |         |         |         |         |         |
|------------|---------|---------|---------|---------|---------|---------|---------|
| R/W-x/u    | R/W-x/u | R/W-x/u | R/W-x/u | R/W-x/u | R/W-x/u | R/W-x/u | R/W-x/u |
| PMDAT<7:0> |         |         |         |         |         |         |         |
| bit 7      |         |         |         |         |         |         | bit 0   |

**Legend:**

|                      |                      |   |
|----------------------|----------------------|---|
| R = Readable bit     | W = Writable bit     | U = Unimplemented bit, read as '0'                    |
| u = Bit is unchanged | x = Bit is unknown   | -n/n = Value at POR and BOR/Value at all other Resets |
| '1' = Bit is set     | '0' = Bit is cleared |   |

bit 7-0      **PMDAT<7:0>**: Read/write value for Least Significant bits of program memory

### REGISTER 10-2: PMDATH: PROGRAM MEMORY DATA HIGH BYTE REGISTER

|       |     |             |         |         |         |         |         |
|-------|-----|-------------|---------|---------|---------|---------|---------|
| U-0   | U-0 | R/W-x/u     | R/W-x/u | R/W-x/u | R/W-x/u | R/W-x/u | R/W-x/u |
| —     |     | PMDAT<13:8> |         |         |         |         |         |
| bit 7 |     |             |         |         |         |         | bit 0   |

**Legend:**

|                      |                      |   |
|----------------------|----------------------|---|
| R = Readable bit     | W = Writable bit     | U = Unimplemented bit, read as '0'                    |
| u = Bit is unchanged | x = Bit is unknown   | -n/n = Value at POR and BOR/Value at all other Resets |
| '1' = Bit is set     | '0' = Bit is cleared |   |

bit 7-6      **Unimplemented:** Read as '0'

bit 5-0      **PMDAT<13:8>**: Read/write value for Most Significant bits of program memory

### REGISTER 10-3: PMADRL: PROGRAM MEMORY ADDRESS LOW BYTE REGISTER

|            |         |         |         |         |         |         |         |
|------------|---------|---------|---------|---------|---------|---------|---------|
| R/W-0/0    | R/W-0/0 | R/W-0/0 | R/W-0/0 | R/W-0/0 | R/W-0/0 | R/W-0/0 | R/W-0/0 |
| PMADR<7:0> |         |         |         |         |         |         |         |
| bit 7      |         |         |         |         |         |         | bit 0   |

**Legend:**

|                      |                      |   |
|----------------------|----------------------|---|
| R = Readable bit     | W = Writable bit     | U = Unimplemented bit, read as '0'                    |
| u = Bit is unchanged | x = Bit is unknown   | -n/n = Value at POR and BOR/Value at all other Resets |
| '1' = Bit is set     | '0' = Bit is cleared |   |

bit 7-0      **PMADR<7:0>**: Specifies the Least Significant bits for program memory address

### REGISTER 10-4: PMADRH: PROGRAM MEMORY ADDRESS HIGH BYTE REGISTER

|       |         |             |         |         |         |         |         |
|-------|---------|-------------|---------|---------|---------|---------|---------|
| U-1   | R/W-0/0 | R/W-0/0     | R/W-0/0 | R/W-0/0 | R/W-0/0 | R/W-0/0 | R/W-0/0 |
| —     |         | PMADR<14:8> |         |         |         |         |         |
| bit 7 |         |             |         |         |         |         | bit 0   |

**Legend:**

|                      |                      |   |
|----------------------|----------------------|---|
| R = Readable bit     | W = Writable bit     | U = Unimplemented bit, read as '0'                    |
| u = Bit is unchanged | x = Bit is unknown   | -n/n = Value at POR and BOR/Value at all other Resets |
| '1' = Bit is set     | '0' = Bit is cleared |   |

bit 7      **Unimplemented:** Read as '1'

bit 6-0      **PMADR<14:8>**: Specifies the Most Significant bits for program memory address



## REGISTER 10-5: PMCON1: PROGRAM MEMORY CONTROL 1 REGISTER

| U-1 <sup>(1)</sup> | R/W-0/0 | R/W-0/0 | R/W/HC-0/0 | R/W/HC-x/q <sup>(2)</sup> | R/W-0/0 | R/S/HC-0/0 | R/S/HC-0/0 |
|--------------------|---------|---------|------------|---------------------------|---------|------------|------------|
| —                  | CFGS    | LWLO    | FREE       | WRERR                     | WREN    | WR         | RD         |
| bit 7              |         |         |            |                           |         |            | bit 0      |

### Legend:

|                         |                      |   |
|-------------------------|----------------------|---|
| R = Readable bit        | W = Writable bit     | U = Unimplemented bit, read as '0'                    |
| S = Bit can only be set | x = Bit is unknown   | -n/n = Value at POR and BOR/Value at all other Resets |
| '1' = Bit is set        | '0' = Bit is cleared | HC = Bit is cleared by hardware                       |

|       |  |
|-------|--|
| bit 7 | <b>Unimplemented:</b> Read as '1'  |
| bit 6 | <b>CFGS:</b> Configuration Select bit<br>1 = Access Configuration, User ID and Device ID Registers<br>0 = Access Flash program memory  |
| bit 5 | <b>LWLO:</b> Load Write Latches Only bit <sup>(3)</sup><br>1 = Only the addressed program memory write latch is loaded/updated on the next WR command<br>0 = The addressed program memory write latch is loaded/updated and a write of all program memory write latches will be initiated on the next WR command   |
| bit 4 | <b>FREE:</b> Program Flash Erase Enable bit<br>1 = Performs an erase operation on the next WR command (hardware cleared upon completion)<br>0 = Performs a write operation on the next WR command  |
| bit 3 | <b>WRERR:</b> Program/Erase Error Flag bit<br>1 = Condition indicates an improper program or erase sequence attempt or termination (bit is set automatically on any set attempt (write '1') of the WR bit).<br>0 = The program or erase operation completed normally   |
| bit 2 | <b>WREN:</b> Program/Erase Enable bit<br>1 = Allows program/erase cycles<br>0 = Inhibits programming/erasing of program Flash  |
| bit 1 | <b>WR:</b> Write Control bit<br>1 = Initiates a program Flash program/erase operation.<br>The operation is self-timed and the bit is cleared by hardware once operation is complete.<br>The WR bit can only be set (not cleared) in software.<br>0 = Program/erase operation to the Flash is complete and inactive |
| bit 0 | <b>RD:</b> Read Control bit<br>1 = Initiates a program Flash read. Read takes one cycle. RD is cleared in hardware. The RD bit can only be set (not cleared) in software.<br>0 = Does not initiate a program Flash read  |

- Note**
- 1: Unimplemented bit, read as '1'.
  - 2: The WRERR bit is automatically set by hardware when a program memory write or erase operation is started (WR = 1).
  - 3: The LWLO bit is ignored during a program memory erase operation (FREE = 1).

# PIC12(L)F1501

**REGISTER 10-6: PMCON2: PROGRAM MEMORY CONTROL 2 REGISTER**

|                                   |       |       |       |       |       |       |       |
|-----------------------------------|-------|-------|-------|-------|-------|-------|-------|
| W-0/0                             | W-0/0 | W-0/0 | W-0/0 | W-0/0 | W-0/0 | W-0/0 | W-0/0 |
| Program Memory Control Register 2 |       |       |       |       |       |       |       |
| bit 7                             |       |       |       |       |       |       | bit 0 |

**Legend:**

|                         |                      |   |
|-------------------------|----------------------|---|
| R = Readable bit        | W = Writable bit     | U = Unimplemented bit, read as '0'                    |
| S = Bit can only be set | x = Bit is unknown   | -n/n = Value at POR and BOR/Value at all other Resets |
| '1' = Bit is set        | '0' = Bit is cleared |   |

bit 7-0 **Flash Memory Unlock Pattern bits**

To unlock writes, a 55h must be written first, followed by an AAh, before setting the WR bit of the PMCON1 register. The value written to this register is used to unlock the writes. There are specific timing requirements on these writes.

**TABLE 10-3: SUMMARY OF REGISTERS ASSOCIATED WITH FLASH PROGRAM MEMORY**

| Name   | Bit 7                             | Bit 6       | Bit 5       | Bit 4 | Bit 3 | Bit 2  | Bit 1 | Bit 0 | Register on Page |
|--------|-----------------------------------|-------------|-------------|-------|-------|--------|-------|-------|------------------|
| PMCON1 | —                                 | CFGFS       | LWLO        | FREE  | WRERR | WREN   | WR    | RD    | 97               |
| PMCON2 | Program Memory Control Register 2 |             |             |       |       |        |       |       | 98               |
| PMADRL | PMADRL<7:0>                       |             |             |       |       |        |       |       | 96               |
| PMADRH | —                                 | PMADRH<6:0> |             |       |       |        |       |       | 96               |
| PMDATL | PMDATL<7:0>                       |             |             |       |       |        |       |       | 96               |
| PMDATH | —                                 | —           | PMDATH<5:0> |       |       |        |       |       | 96               |
| INTCON | GIE                               | PEIE        | TMR0IE      | INTE  | IOCIE | TMR0IF | INTF  | IOCIF | 66               |

**Legend:** — = unimplemented location, read as '0'. Shaded cells are not used by Flash program memory module.

**TABLE 10-4: SUMMARY OF CONFIGURATION WORD WITH FLASH PROGRAM MEMORY**

| Name    | Bits | Bit -/7         | Bit -/6 | Bit 13/5 | Bit 12/4  | Bit 11/3           | Bit 10/2   | Bit 9/1   | Bit 8/0 | Register on Page |
|---------|------|-----------------|---------|----------|-----------|--------------------|------------|-----------|---------|------------------|
| CONFIG1 | 13:8 | —               | —       | —        | —         | CLKOUTEN           | BOREN<1:0> |           | —       | 40               |
|         | 7:0  | $\overline{CP}$ | MCLRE   | PWRTE    | WDTE<1:0> |                    | —          | FOSC<1:0> |         |                  |
| CONFIG2 | 13:8 | —               | —       | LVP      | —         | $\overline{LPBOR}$ | BORV       | STVREN    | —       | 41               |
|         | 7:0  | —               | —       | —        | —         | —                  | —          | WRT<1:0>  |         |                  |

**Legend:** — = unimplemented location, read as '0'. Shaded cells are not used by Flash program memory.

## 11.0 I/O PORTS

Each port has three standard registers for its operation. These registers are:

- TRISx registers (data direction)
- PORTx registers (reads the levels on the pins of the device)
- LATx registers (output latch)

Some ports may have one or more of the following additional registers. These registers are:

- ANSELx (analog select)
- WPUx (weak pull-up)

In general, when a peripheral is enabled on a port pin, that pin cannot be used as a general purpose output. However, the pin can still be read.

**TABLE 11-1: PORT AVAILABILITY PER DEVICE**

| Device        | PORTA |
|---------------|-------|
| PIC12(L)F1501 | •     |

The Data Latch (LATx registers) is useful for read-modify-write operations on the value that the I/O pins are driving.

A write operation to the LATx register has the same effect as a write to the corresponding PORTx register. A read of the LATx register reads of the values held in the I/O PORT latches, while a read of the PORTx register reads the actual I/O pin value.

Ports that support analog inputs have an associated ANSELx register. When an ANSEL bit is set, the digital input buffer associated with that bit is disabled. Disabling the input buffer prevents analog signal levels on the pin between a logic high and low from causing excessive current in the logic input circuitry. A simplified model of a generic I/O port, without the interfaces to other peripherals, is shown in [Figure 11-1](#).

**FIGURE 11-1: GENERIC I/O PORT OPERATION**



**EXAMPLE 11-1: INITIALIZING PORTA**

```

; This code example illustrates
; initializing the PORTA register. The
; other ports are initialized in the same
; manner.

BANKSEL PORTA      ;
CLRF PORTA        ;Init PORTA
BANKSEL LATA       ;Data Latch
CLRF LATA         ;
BANKSEL ANSELA     ;
CLRF ANSELA       ;digital I/O
BANKSEL TRISA      ;
MOVLW B'00111000' ;Set RA<5:3> as inputs
MOVWF TRISA        ;and set RA<2:0> as
                  ;outputs
    
```

# PIC12(L)F1501

## 11.1 Alternate Pin Function

The Alternate Pin Function Control (APFCON) register is used to steer specific peripheral input and output functions between different pins. The APFCON register is shown in [Register 11-1](#). For this device family, the following functions can be moved between different pins.

- SDO
- $\overline{SS}$
- T1G
- CLC1
- NCO1

These bits have no effect on the values of any TRIS register. PORT and TRIS overrides will be routed to the correct pin. The unselected pin will be unaffected.

**REGISTER 11-1: APFCON: ALTERNATE PIN FUNCTION CONTROL REGISTER**

|          |          |     |     |         |     |         |         |
|----------|----------|-----|-----|---------|-----|---------|---------|
| R/W-0/0  | R/W-0/0  | U-0 | U-0 | R/W-0/0 | U-0 | R/W-0/0 | R/W-0/0 |
| CWG1BSEL | CWG1ASEL | —   | —   | T1GSEL  | —   | CLC1SEL | NCO1SEL |
| bit 7    |          |     |     |         |     |         | bit 0   |

**Legend:**

R = Readable bit

W = Writable bit

U = Unimplemented bit, read as '0'

u = Bit is unchanged

x = Bit is unknown

-n/n = Value at POR and BOR/Value at all other Resets

'1' = Bit is set

'0' = Bit is cleared

- bit 7      **CWG1BSEL:** Pin Selection bit  
1 = CWG1B function is on RA4  
0 = CWG1B function is on RA0
- bit 6      **CWG1ASEL:** Pin Selection bit  
1 = CWG1A function is on RA5  
0 = CWG1A function is on RA2
- bit 5-4    **Unimplemented:** Read as '0'
- bit 3      **T1GSEL:** Pin Selection bit  
1 = T1G function is on RA3  
0 = T1G function is on RA4
- bit 2      **Unimplemented:** Read as '0'
- bit 1      **CLC1SEL:** Pin Selection bit  
1 = CLC1 function is on RA4  
0 = CLC1 function is on RA2
- bit 0      **NCO1SEL:** Pin Selection bit  
1 = NCO1 function is on RA5  
0 = NCO1 function is on RA1

## 11.2 PORTA Registers

PORTA is a 6-bit wide, bidirectional port. The corresponding data direction register is TRISA (Register 11-3). Setting a TRISA bit (= 1) will make the corresponding PORTA pin an input (i.e., disable the output driver). Clearing a TRISA bit (= 0) will make the corresponding PORTA pin an output (i.e., enables output driver and puts the contents of the output latch on the selected pin). The exception is RA3, which is input only and its TRIS bit will always read as '1'. Example 11-1 shows how to initialize an I/O port.

Reading the PORTA register (Register 11-2) reads the status of the pins, whereas writing to it will write to the PORT latch. All write operations are read-modify-write operations. Therefore, a write to a port implies that the port pins are read, this value is modified and then written to the PORT data latch (LATA).

The TRISA register (Register 11-3) controls the PORTA pin output drivers, even when they are being used as analog inputs. The user should ensure the bits in the TRISA register are maintained set when using them as analog inputs. I/O pins configured as analog input always read '0'.

### 11.2.1 ANSELA REGISTER

The ANSELA register (Register 11-5) is used to configure the Input mode of an I/O pin to analog. Setting the appropriate ANSELA bit high will cause all digital reads on the pin to be read as '0' and allow analog functions on the pin to operate correctly.

The state of the ANSELA bits has no effect on digital output functions. A pin with TRIS clear and ANSEL set will still operate as a digital output, but the Input mode will be analog. This can cause unexpected behavior when executing read-modify-write instructions on the affected port.

**Note:** The ANSELA bits default to the Analog mode after Reset. To use any pins as digital general purpose or peripheral inputs, the corresponding ANSEL bits must be initialized to '0' by user software.

### 11.2.2 PORTA FUNCTIONS AND OUTPUT PRIORITIES

Each PORTA pin is multiplexed with other functions. The pins, their combined functions and their output priorities are shown in Table 11-2.

When multiple outputs are enabled, the actual pin control goes to the peripheral with the highest priority.

Analog input functions, such as ADC and comparator inputs, are not shown in the priority lists. These inputs are active when the I/O pin is set for Analog mode using the ANSELx registers. Digital output functions may control the pin when it is in Analog mode with the priority shown in Table 11-2.

**TABLE 11-2: PORTA OUTPUT PRIORITY**

| Pin Name | Function Priority <sup>(1)</sup>  |
|----------|---|
| RA0      | ICSPDAT<br>DACOUT1<br>CWG1B <sup>(2)</sup><br>PWM2<br>RA0                                 |
| RA1      | NCO1 <sup>(2)</sup><br>RA1  |
| RA2      | DACOUT2<br>CWG1A <sup>(2)</sup><br>CWG1FLT<br>CLC1 <sup>(2)</sup><br>C1OUT<br>PWM1<br>RA2 |
| RA3      | None  |
| RA4      | CLKOUT<br>CWG1B <sup>(3)</sup><br>CLC1 <sup>(3)</sup><br>PWM3<br>RA4                      |
| RA5      | CWG1A <sup>(3)</sup><br>CLC2<br>NCO1 <sup>(3)</sup><br>PWM4<br>RA5                        |

- Note** 1: Priority listed from highest to lowest.  
 2: Default pin (see APFCON register).  
 3: Alternate pin (see APFCON register).

# PIC12(L)F1501

## REGISTER 11-2: PORTA: PORTA REGISTER

|       |     |         |         |       |         |         |         |
|-------|-----|---------|---------|-------|---------|---------|---------|
| U-0   | U-0 | R/W-x/x | R/W-x/x | R-x/x | R/W-x/x | R/W-x/x | R/W-x/x |
| —     | —   | RA5     | RA4     | RA3   | RA2     | RA1     | RA0     |
| bit 7 |     |         |         |       |         |         | bit 0   |

### Legend:

R = Readable bit                      W = Writable bit                      U = Unimplemented bit, read as '0'  
u = Bit is unchanged                  x = Bit is unknown                  -n/n = Value at POR and BOR/Value at all other Resets  
'1' = Bit is set                          '0' = Bit is cleared

bit 7-6            **Unimplemented:** Read as '0'  
bit 5-0            **RA<5:0>:** PORTA I/O Value bits<sup>(1)</sup>  
                    1 = Port pin is  $\geq$  VIH  
                    0 = Port pin is  $\leq$  VIL

**Note 1:** Writes to PORTA are actually written to corresponding LATA register. Reads from PORTA register is return of actual I/O pin values.

## REGISTER 11-3: TRISA: PORTA TRI-STATE REGISTER

|       |     |         |         |                  |         |         |         |
|-------|-----|---------|---------|------------------|---------|---------|---------|
| U-0   | U-0 | R/W-1/1 | R/W-1/1 | U-1              | R/W-1/1 | R/W-1/1 | R/W-1/1 |
| —     | —   | TRISA5  | TRISA4  | — <sup>(1)</sup> | TRISA2  | TRISA1  | TRISA0  |
| bit 7 |     |         |         |                  |         |         | bit 0   |

### Legend:

R = Readable bit                      W = Writable bit                      U = Unimplemented bit, read as '0'  
u = Bit is unchanged                  x = Bit is unknown                  -n/n = Value at POR and BOR/Value at all other Resets  
'1' = Bit is set                          '0' = Bit is cleared

bit 7-6            **Unimplemented:** Read as '0'  
bit 5-4            **TRISA<5:4>:** PORTA Tri-State Control bit  
                    1 = PORTA pin configured as an input (tri-stated)  
                    0 = PORTA pin configured as an output  
bit 3              **Unimplemented:** Read as '1'  
bit 2-0            **TRISA<2:0>:** PORTA Tri-State Control bit  
                    1 = PORTA pin configured as an input (tri-stated)  
                    0 = PORTA pin configured as an output

**Note 1:** Unimplemented, read as '1'.

## REGISTER 11-4: LATA: PORTA DATA LATCH REGISTER

|       |     |         |         |     |         |         |         |
|-------|-----|---------|---------|-----|---------|---------|---------|
| U-0   | U-0 | R/W-x/u | R/W-x/u | U-0 | R/W-x/u | R/W-x/u | R/W-x/u |
| —     | —   | LATA5   | LATA4   | —   | LATA2   | LATA1   | LATA0   |
| bit 7 |     |         |         |     |         |         | bit 0   |

### Legend:

|                      |                      |   |
|----------------------|----------------------|---|
| R = Readable bit     | W = Writable bit     | U = Unimplemented bit, read as '0'                    |
| u = Bit is unchanged | x = Bit is unknown   | -n/n = Value at POR and BOR/Value at all other Resets |
| '1' = Bit is set     | '0' = Bit is cleared |   |

- bit 7-6      **Unimplemented:** Read as '0'
- bit 5-4      **LATA<5:4>:** RA<5:4> Output Latch Value bits<sup>(1)</sup>
- bit 3        **Unimplemented:** Read as '0'
- bit 2-0      **LATA<2:0>:** RA<2:0> Output Latch Value bits<sup>(1)</sup>

**Note 1:** Writes to PORTA are actually written to corresponding LATA register. Reads from PORTA register is return of actual I/O pin values.

## REGISTER 11-5: ANSELA: PORTA ANALOG SELECT REGISTER

|       |     |     |         |     |         |         |         |
|-------|-----|-----|---------|-----|---------|---------|---------|
| U-0   | U-0 | U-0 | R/W-1/1 | U-0 | R/W-1/1 | R/W-1/1 | R/W-1/1 |
| —     | —   | —   | ANSA4   | —   | ANSA2   | ANSA1   | ANSA0   |
| bit 7 |     |     |         |     |         |         | bit 0   |

### Legend:

|                      |                      |   |
|----------------------|----------------------|---|
| R = Readable bit     | W = Writable bit     | U = Unimplemented bit, read as '0'                    |
| u = Bit is unchanged | x = Bit is unknown   | -n/n = Value at POR and BOR/Value at all other Resets |
| '1' = Bit is set     | '0' = Bit is cleared |   |

- bit 7-5      **Unimplemented:** Read as '0'
- bit 4        **ANSA4:** Analog Select between Analog or Digital Function on pins RA4, respectively
  - 1 = Analog input. Pin is assigned as analog input<sup>(1)</sup>. Digital input buffer disabled.
  - 0 = Digital I/O. Pin is assigned to port or digital special function.
- bit 3        **Unimplemented:** Read as '0'
- bit 2-0      **ANSA<2:0>:** Analog Select between Analog or Digital Function on pins RA<2:0>, respectively
  - 1 = Analog input. Pin is assigned as analog input<sup>(1)</sup>. Digital input buffer disabled.
  - 0 = Digital I/O. Pin is assigned to port or digital special function.

**Note 1:** When setting a pin to an analog input, the corresponding TRIS bit must be set to Input mode in order to allow external control of the voltage on the pin.

# PIC12(L)F1501

## REGISTER 11-6: WPUA: WEAK PULL-UP PORTA REGISTER

|       |     |         |         |         |         |         |         |
|-------|-----|---------|---------|---------|---------|---------|---------|
| U-0   | U-0 | R/W-1/1 | R/W-1/1 | R/W-1/1 | R/W-1/1 | R/W-1/1 | R/W-1/1 |
| —     | —   | WPUA5   | WPUA4   | WPUA3   | WPUA2   | WPUA1   | WPUA0   |
| bit 7 |     |         |         |         |         |         | bit 0   |

### Legend:

R = Readable bit                      W = Writable bit                      U = Unimplemented bit, read as '0'  
u = Bit is unchanged                  x = Bit is unknown                  -n/n = Value at POR and BOR/Value at all other Resets  
'1' = Bit is set                            '0' = Bit is cleared

bit 7-6                      **Unimplemented:** Read as '0'

bit 5-0                      **WPUA<5:0>:** Weak Pull-up Register bits<sup>(3)</sup>

1 = Pull-up enabled  
0 = Pull-up disabled

- Note 1:** Global  $\overline{\text{WPUEN}}$  bit of the OPTION\_REG register must be cleared for individual pull-ups to be enabled.  
**Note 2:** The weak pull-up device is automatically disabled if the pin is in configured as an output.  
**Note 3:** For the WPUA3 bit, when MCLRE = 1, weak pull-up is internally enabled, but not reported here.

## TABLE 11-3: SUMMARY OF REGISTERS ASSOCIATED WITH PORTA

| Name       | Bit 7                     | Bit 6    | Bit 5  | Bit 4  | Bit 3            | Bit 2   | Bit 1   | Bit 0   | Register on Page |
|------------|---------------------------|----------|--------|--------|------------------|---------|---------|---------|------------------|
| ANSELA     | —                         | —        | —      | ANSA4  | —                | ANSA2   | ANSA1   | ANSA0   | 103              |
| APFCON     | CWG1BSEL                  | CWG1ASEL | —      | —      | T1GSEL           | —       | CLC1SEL | NCO1SEL | 100              |
| LATA       | —                         | —        | LATA5  | LATA4  | —                | LATA2   | LATA1   | LATA0   | 103              |
| OPTION_REG | $\overline{\text{WPUEN}}$ | INTEDG   | TMR0CS | TMR0SE | PSA              | PS<2:0> |         |         | 143              |
| PORTA      | —                         | —        | RA5    | RA4    | RA3              | RA2     | RA1     | RA0     | 102              |
| TRISA      | —                         | —        | TRISA5 | TRISA4 | — <sup>(1)</sup> | TRISA2  | TRISA1  | TRISA0  | 102              |
| WPUA       | —                         | —        | WPUA5  | WPUA4  | WPUA3            | WPUA2   | WPUA1   | WPUA0   | 104              |

**Legend:** x = unknown, u = unchanged, — = unimplemented locations read as '0'. Shaded cells are not used by PORTA.

**Note 1:** Unimplemented, read as '1'.

## TABLE 11-4: SUMMARY OF CONFIGURATION WORD WITH PORTA

| Name    | Bits | Bit -/7                | Bit -/6 | Bit 13/5                  | Bit 12/4  | Bit 11/3                     | Bit 10/2   | Bit 9/1   | Bit 8/0 | Register on Page |
|---------|------|------------------------|---------|---------------------------|-----------|------------------------------|------------|-----------|---------|------------------|
| CONFIG1 | 13:8 | —                      | —       | —                         | —         | $\overline{\text{CLKOUTEN}}$ | BOREN<1:0> |           | —       | 40               |
|         | 7:0  | $\overline{\text{CP}}$ | MCLRE   | $\overline{\text{PWRTE}}$ | WDTE<1:0> |                              | —          | FOSC<1:0> |         |                  |

**Legend:** — = unimplemented location, read as '0'. Shaded cells are not used by PORTA.



## 12.0 INTERRUPT-ON-CHANGE

The PORTA and PORTB pins can be configured to operate as Interrupt-On-Change (IOC) pins. An interrupt can be generated by detecting a signal that has either a rising edge or a falling edge. Any individual port pin, or combination of port pins, can be configured to generate an interrupt. The interrupt-on-change module has the following features:

- Interrupt-on-Change enable (Master Switch)
- Individual pin configuration
- Rising and falling edge detection
- Individual pin interrupt flags

Figure 12-1 is a block diagram of the IOC module.

### 12.1 Enabling the Module

To allow individual port pins to generate an interrupt, the IOCIE bit of the INTCON register must be set. If the IOCIE bit is disabled, the edge detection on the pin will still occur, but an interrupt will not be generated.

### 12.2 Individual Pin Configuration

For each port pin, a rising edge detector and a falling edge detector are present. To enable a pin to detect a rising edge, the associated bit of the IOCxP register is set. To enable a pin to detect a falling edge, the associated bit of the IOCxN register is set.

A pin can be configured to detect rising and falling edges simultaneously by setting both associated bits of the IOCxP and IOCxN registers, respectively.

## 12.3 Interrupt Flags

The IOCAFx and IOCBFx bits located in the IOCAF and IOCBF registers, respectively, are status flags that correspond to the interrupt-on-change pins of the associated port. If an expected edge is detected on an appropriately enabled pin, then the status flag for that pin will be set, and an interrupt will be generated if the IOCIE bit is set. The IOCIF bit of the INTCON register reflects the status of all IOCAFx and IOCBFx bits.

## 12.4 Clearing Interrupt Flags

The individual status flags, (IOCAFx and IOCBFx bits), can be cleared by resetting them to zero. If another edge is detected during this clearing operation, the associated status flag will be set at the end of the sequence, regardless of the value actually being written.

In order to ensure that no detected edge is lost while clearing flags, only AND operations masking out known changed bits should be performed. The following sequence is an example of what should be performed.

### EXAMPLE 12-1: CLEARING INTERRUPT FLAGS (PORTA EXAMPLE)

```
MOVLW 0xff
XORWF IOCAF, W
ANDWF IOCAF, F
```

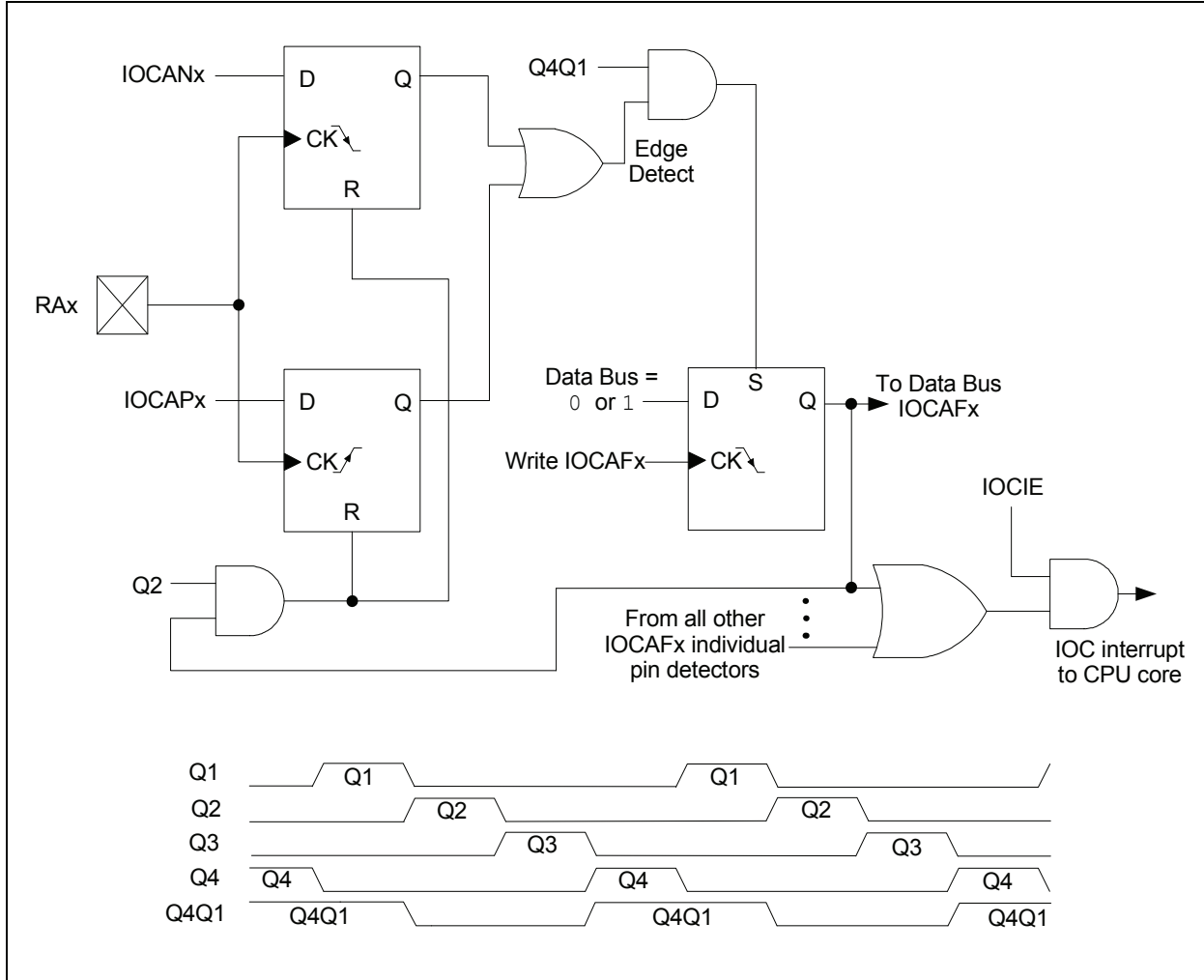
## 12.5 Operation in Sleep

The interrupt-on-change interrupt sequence will wake the device from Sleep mode, if the IOCIE bit is set.

If an edge is detected while in Sleep mode, the IOCxF register will be updated prior to the first instruction executed out of Sleep.

# PIC12(L)F1501

FIGURE 12-1: INTERRUPT-ON-CHANGE BLOCK DIAGRAM (PORTA EXAMPLE)



## 12.6 Interrupt-On-Change Registers

### REGISTER 12-1: IOCAP: INTERRUPT-ON-CHANGE PORTA POSITIVE EDGE REGISTER

|       |     |         |         |         |         |         |         |
|-------|-----|---------|---------|---------|---------|---------|---------|
| U-0   | U-0 | R/W-0/0 | R/W-0/0 | R/W-0/0 | R/W-0/0 | R/W-0/0 | R/W-0/0 |
| —     | —   | IOCAP5  | IOCAP4  | IOCAP3  | IOCAP2  | IOCAP1  | IOCAP0  |
| bit 7 |     |         |         |         |         |         | bit 0   |

#### Legend:

R = Readable bit                      W = Writable bit                      U = Unimplemented bit, read as '0'  
u = Bit is unchanged                      x = Bit is unknown                      -n/n = Value at POR and BOR/Value at all other Resets  
'1' = Bit is set                              '0' = Bit is cleared

bit 7-6                      **Unimplemented:** Read as '0'

bit 5-0                      **IOCAP<5:0>:** Interrupt-on-Change PORTA Positive Edge Enable bits

1 = Interrupt-on-Change enabled on the pin for a positive going edge. IOCAF<sub>x</sub> bit and IOCIF flag will be set upon detecting an edge.

0 = Interrupt-on-Change disabled for the associated pin.

### REGISTER 12-2: IOCAN: INTERRUPT-ON-CHANGE PORTA NEGATIVE EDGE REGISTER

|       |     |         |         |         |         |         |         |
|-------|-----|---------|---------|---------|---------|---------|---------|
| U-0   | U-0 | R/W-0/0 | R/W-0/0 | R/W-0/0 | R/W-0/0 | R/W-0/0 | R/W-0/0 |
| —     | —   | IOCAN5  | IOCAN4  | IOCAN3  | IOCAN2  | IOCAN1  | IOCAN0  |
| bit 7 |     |         |         |         |         |         | bit 0   |

#### Legend:

R = Readable bit                      W = Writable bit                      U = Unimplemented bit, read as '0'  
u = Bit is unchanged                      x = Bit is unknown                      -n/n = Value at POR and BOR/Value at all other Resets  
'1' = Bit is set                              '0' = Bit is cleared

bit 7-6                      **Unimplemented:** Read as '0'

bit 5-0                      **IOCAN<5:0>:** Interrupt-on-Change PORTA Negative Edge Enable bits

1 = Interrupt-on-Change enabled on the pin for a negative going edge. IOCAF<sub>x</sub> bit and IOCIF flag will be set upon detecting an edge.

0 = Interrupt-on-Change disabled for the associated pin.

### REGISTER 12-3: IOCAF: INTERRUPT-ON-CHANGE PORTA FLAG REGISTER

|       |     |            |            |            |            |            |            |
|-------|-----|------------|------------|------------|------------|------------|------------|
| U-0   | U-0 | R/W/HS-0/0 | R/W/HS-0/0 | R/W/HS-0/0 | R/W/HS-0/0 | R/W/HS-0/0 | R/W/HS-0/0 |
| —     | —   | IOCAF5     | IOCAF4     | IOCAF3     | IOCAF2     | IOCAF1     | IOCAF0     |
| bit 7 |     |            |            |            |            |            | bit 0      |

#### Legend:

R = Readable bit                      W = Writable bit                      U = Unimplemented bit, read as '0'  
u = Bit is unchanged                      x = Bit is unknown                      -n/n = Value at POR and BOR/Value at all other Resets  
'1' = Bit is set                              '0' = Bit is cleared                      HS - Bit is set in hardware

bit 7-6                      **Unimplemented:** Read as '0'

bit 5-0                      **IOCAF<5:0>:** Interrupt-on-Change PORTA Flag bits

1 = An enabled change was detected on the associated pin.

Set when IOCAP<sub>x</sub> = 1 and a rising edge was detected on RA<sub>x</sub>, or when IOCAN<sub>x</sub> = 1 and a falling edge was detected on RA<sub>x</sub>.

0 = No change was detected, or the user cleared the detected change

# PIC12(L)F1501

**TABLE 12-1: SUMMARY OF REGISTERS ASSOCIATED WITH INTERRUPT-ON-CHANGE**

| Name   | Bit 7 | Bit 6 | Bit 5  | Bit 4  | Bit 3            | Bit 2  | Bit 1  | Bit 0  | Register on Page |
|--------|-------|-------|--------|--------|------------------|--------|--------|--------|------------------|
| ANSELA | —     | —     | —      | ANSA4  | —                | ANSA2  | ANSA1  | ANSA0  | 103              |
| INTCON | GIE   | PEIE  | TMR0IE | INTE   | IOCIE            | TMR0IF | INTF   | IOCIF  | 66               |
| IOCAF  | —     | —     | IOCAF5 | IOCAF4 | IOCAF3           | IOCAF2 | IOCAF1 | IOCAF0 | 107              |
| IOCAN  | —     | —     | IOCAN5 | IOCAN4 | IOCAN3           | IOCAN2 | IOCAN1 | IOCAN0 | 107              |
| IOCAP  | —     | —     | IOCAP5 | IOCAP4 | IOCAP3           | IOCAP2 | IOCAP1 | IOCAP0 | 107              |
| TRISA  | —     | —     | TRISA5 | TRISA4 | — <sup>(1)</sup> | TRISA2 | TRISA1 | TRISA0 | 102              |

**Legend:** — = unimplemented location, read as '0'. Shaded cells are not used by interrupt-on-change.

**Note 1:** Unimplemented, read as '1'.

## 13.0 FIXED VOLTAGE REFERENCE (FVR)

The Fixed Voltage Reference, or FVR, is a stable voltage reference, independent of VDD, with 1.024V, 2.048V or 4.096V selectable output levels. The output of the FVR can be configured to supply a reference voltage to the following:

- ADC input channel
- Comparator positive input
- Comparator negative input

The FVR can be enabled by setting the FVREN bit of the FVRCON register.

### 13.1 Independent Gain Amplifier

The output of the FVR supplied to the ADC and comparators is routed through a programmable gain amplifier. Each amplifier can be programmed for a gain of 1x, 2x or 4x, to produce the three possible voltage levels.

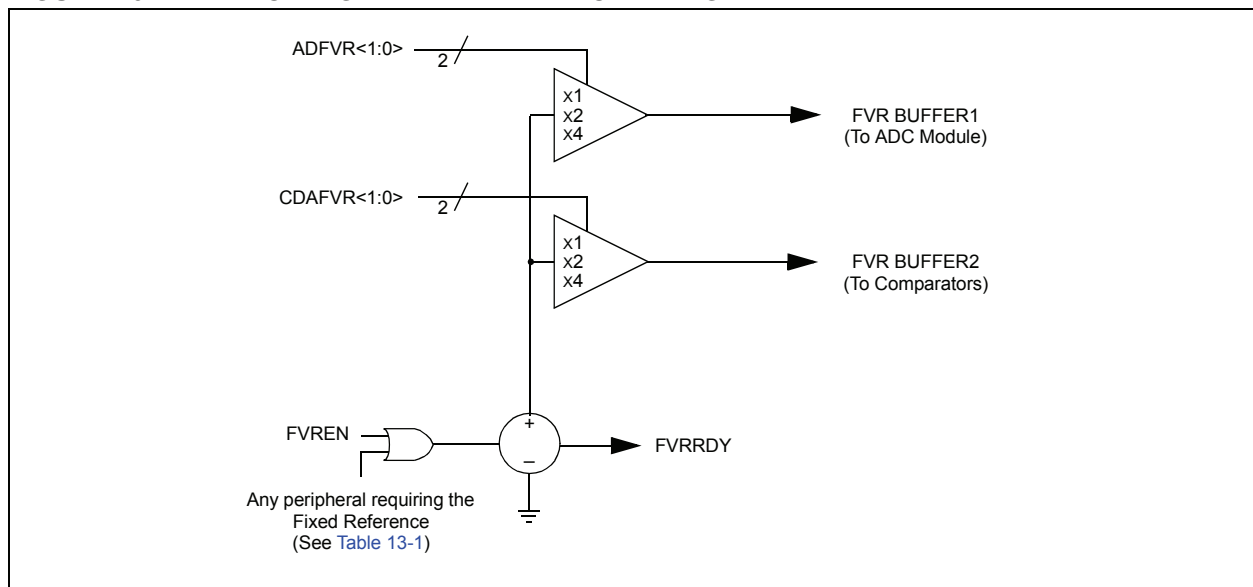
The ADFVR<1:0> bits of the FVRCON register are used to enable and configure the gain amplifier settings for the reference supplied to the ADC module. Reference [Section 15.0 “Analog-to-Digital Converter \(ADC\) Module”](#) for additional information.

The CDAFVR<1:0> bits of the FVRCON register are used to enable and configure the gain amplifier settings for the reference supplied to the comparator modules. Reference [Section 17.0 “Comparator Module”](#) for additional information.

### 13.2 FVR Stabilization Period

When the Fixed Voltage Reference module is enabled, it requires time for the reference and amplifier circuits to stabilize. Once the circuits stabilize and are ready for use, the FVRRDY bit of the FVRCON register will be set. See [Section 27.0 “Electrical Specifications”](#) for the minimum delay requirement.

**FIGURE 13-1: VOLTAGE REFERENCE BLOCK DIAGRAM**



**TABLE 13-1: PERIPHERALS REQUIRING THE FIXED VOLTAGE REFERENCE (FVR)**

| Peripheral | Conditions   | Description  |
|------------|--|--|
| HFINTOSC   | FOSC<1:0> = 00 and IRCF<3:0> = 000x                      | INTOSC is active and device is not in Sleep.                       |
| BOR        | BOREN<1:0> = 11  | BOR always enabled.  |
|            | BOREN<1:0> = 10 and BORFS = 1                            | BOR disabled in Sleep mode, BOR Fast Start enabled.                |
|            | BOREN<1:0> = 01 and BORFS = 1                            | BOR under software control, BOR Fast Start enabled.                |
| LDO        | All PIC12F1501 devices, when VREGPM = 1 and not in Sleep | The device runs off of the Low-Power Regulator when in Sleep mode. |

# PIC12(L)F1501

## 13.3 FVR Control Registers

**REGISTER 13-1: FVRCON: FIXED VOLTAGE REFERENCE CONTROL REGISTER**

|         |                       |         |         |             |         |            |         |
|---------|-----------------------|---------|---------|-------------|---------|------------|---------|
| R/W-0/0 | R-q/q                 | R/W-0/0 | R/W-0/0 | R/W-0/0     | R/W-0/0 | R/W-0/0    | R/W-0/0 |
| FVREN   | FVRRDY <sup>(1)</sup> | TSEN    | TSRNG   | CDAFVR<1:0> |         | ADFVR<1:0> |         |
| bit 7   |                       |         |         |             |         |            | bit 0   |

**Legend:**

|                      |                      |   |
|----------------------|----------------------|---|
| R = Readable bit     | W = Writable bit     | U = Unimplemented bit, read as '0'                    |
| u = Bit is unchanged | x = Bit is unknown   | -n/n = Value at POR and BOR/Value at all other Resets |
| '1' = Bit is set     | '0' = Bit is cleared | q = Value depends on condition                        |

- bit 7      **FVREN:** Fixed Voltage Reference Enable bit  
           1 = Fixed Voltage Reference is enabled  
           0 = Fixed Voltage Reference is disabled
- bit 6      **FVRRDY:** Fixed Voltage Reference Ready Flag bit<sup>(1)</sup>  
           1 = Fixed Voltage Reference output is ready for use  
           0 = Fixed Voltage Reference output is not ready or not enabled
- bit 5      **TSEN:** Temperature Indicator Enable bit<sup>(3)</sup>  
           1 = Temperature Indicator is enabled  
           0 = Temperature Indicator is disabled
- bit 4      **TSRNG:** Temperature Indicator Range Selection bit<sup>(3)</sup>  
           1 = VOUT = VDD - 4VT (High Range)  
           0 = VOUT = VDD - 2VT (Low Range)
- bit 3-2    **CDAFVR<1:0>:** Comparator Fixed Voltage Reference Selection bits  
           11 = Comparator Fixed Voltage Reference Peripheral output is 4x (4.096V)<sup>(2)</sup>  
           10 = Comparator Fixed Voltage Reference Peripheral output is 2x (2.048V)<sup>(2)</sup>  
           01 = Comparator Fixed Voltage Reference Peripheral output is 1x (1.024V)  
           00 = Comparator Fixed Voltage Reference Peripheral output is off
- bit 1-0    **ADFVR<1:0>:** ADC Fixed Voltage Reference Selection bit  
           11 = ADC Fixed Voltage Reference Peripheral output is 4x (4.096V)<sup>(2)</sup>  
           10 = ADC Fixed Voltage Reference Peripheral output is 2x (2.048V)<sup>(2)</sup>  
           01 = ADC Fixed Voltage Reference Peripheral output is 1x (1.024V)  
           00 = ADC Fixed Voltage Reference Peripheral output is off

- Note 1:** FVRRDY is always '1' for the PIC12F1501 devices.  
**Note 2:** Fixed Voltage Reference output cannot exceed VDD.  
**Note 3:** See [Section 14.0 "Temperature Indicator Module"](#) for additional information.

**TABLE 13-2: SUMMARY OF REGISTERS ASSOCIATED WITH THE FIXED VOLTAGE REFERENCE**

| Name   | Bit 7 | Bit 6  | Bit 5 | Bit 4 | Bit 3       | Bit 2 | Bit 1      | Bit 0 | Register on page |
|--------|-------|--------|-------|-------|-------------|-------|------------|-------|------------------|
| FVRCON | FVREN | FVRRDY | TSEN  | TSRNG | CDAFVR>1:0> |       | ADFVR<1:0> |       | 110              |

**Legend:** Shaded cells are unused by the Fixed Voltage Reference module.

## 14.0 TEMPERATURE INDICATOR MODULE

This family of devices is equipped with a temperature circuit designed to measure the operating temperature of the silicon die. The circuit's range of operating temperature falls between  $-40^{\circ}\text{C}$  and  $+85^{\circ}\text{C}$ . The output is a voltage that is proportional to the device temperature. The output of the temperature indicator is internally connected to the device ADC.

The circuit may be used as a temperature threshold detector or a more accurate temperature indicator, depending on the level of calibration performed. A one-point calibration allows the circuit to indicate a temperature closely surrounding that point. A two-point calibration allows the circuit to sense the entire range of temperature more accurately. Reference Application Note AN1333, "Use and Calibration of the Internal Temperature Indicator" (DS01333) for more details regarding the calibration process.

### 14.1 Circuit Operation

Figure 14-1 shows a simplified block diagram of the temperature circuit. The proportional voltage output is achieved by measuring the forward voltage drop across multiple silicon junctions.

Equation 14-1 describes the output characteristics of the temperature indicator.

#### EQUATION 14-1: $V_{\text{OUT}}$ RANGES

High Range:  $V_{\text{OUT}} = V_{\text{DD}} - 4V_{\text{T}}$

Low Range:  $V_{\text{OUT}} = V_{\text{DD}} - 2V_{\text{T}}$

The temperature sense circuit is integrated with the Fixed Voltage Reference (FVR) module. See Section 13.0 "Fixed Voltage Reference (FVR)" for more information.

The circuit is enabled by setting the TSEN bit of the FVRCON register. When disabled, the circuit draws no current.

The circuit operates in either high or low range. The high range, selected by setting the TSRNG bit of the FVRCON register, provides a wider output voltage. This provides more resolution over the temperature range, but may be less consistent from part to part. This range requires a higher bias voltage to operate and thus, a higher  $V_{\text{DD}}$  is needed.

The low range is selected by clearing the TSRNG bit of the FVRCON register. The low range generates a lower voltage drop and thus, a lower bias voltage is needed to operate the circuit. The low range is provided for low voltage operation.

FIGURE 14-1: TEMPERATURE CIRCUIT DIAGRAM



### 14.2 Minimum Operating $V_{\text{DD}}$

When the temperature circuit is operated in low range, the device may be operated at any operating voltage that is within specifications.

When the temperature circuit is operated in high range, the device operating voltage,  $V_{\text{DD}}$ , must be high enough to ensure that the temperature circuit is correctly biased.

Table 14-1 shows the recommended minimum  $V_{\text{DD}}$  vs. range setting.

TABLE 14-1: RECOMMENDED  $V_{\text{DD}}$  VS. RANGE

| Min. $V_{\text{DD}}$ , TSRNG = 1 | Min. $V_{\text{DD}}$ , TSRNG = 0 |
|----------------------------------|----------------------------------|
| 3.6V                             | 1.8V                             |

### 14.3 Temperature Output

The output of the circuit is measured using the internal Analog-to-Digital Converter. A channel is reserved for the temperature circuit output. Refer to Section 15.0 "Analog-to-Digital Converter (ADC) Module" for detailed information.

### 14.4 ADC Acquisition Time

To ensure accurate temperature measurements, the user must wait at least  $200\ \mu\text{s}$  after the ADC input multiplexer is connected to the temperature indicator output before the conversion is performed. In addition, the user must wait  $200\ \mu\text{s}$  between sequential conversions of the temperature indicator output.

# PIC12(L)F1501

---

---

**TABLE 14-2: SUMMARY OF REGISTERS ASSOCIATED WITH THE TEMPERATURE INDICATOR**

| Name   | Bit 7 | Bit 6  | Bit 5 | Bit 4 | Bit 3       | Bit 2 | Bit 1      | Bit 0 | Register on page |
|--------|-------|--------|-------|-------|-------------|-------|------------|-------|------------------|
| FVRCON | FVREN | FVRRDY | TSEN  | TSRNG | CDAFVR<1:0> |       | ADFVR<1:0> |       | 118              |

**Legend:** Shaded cells are unused by the temperature indicator module.



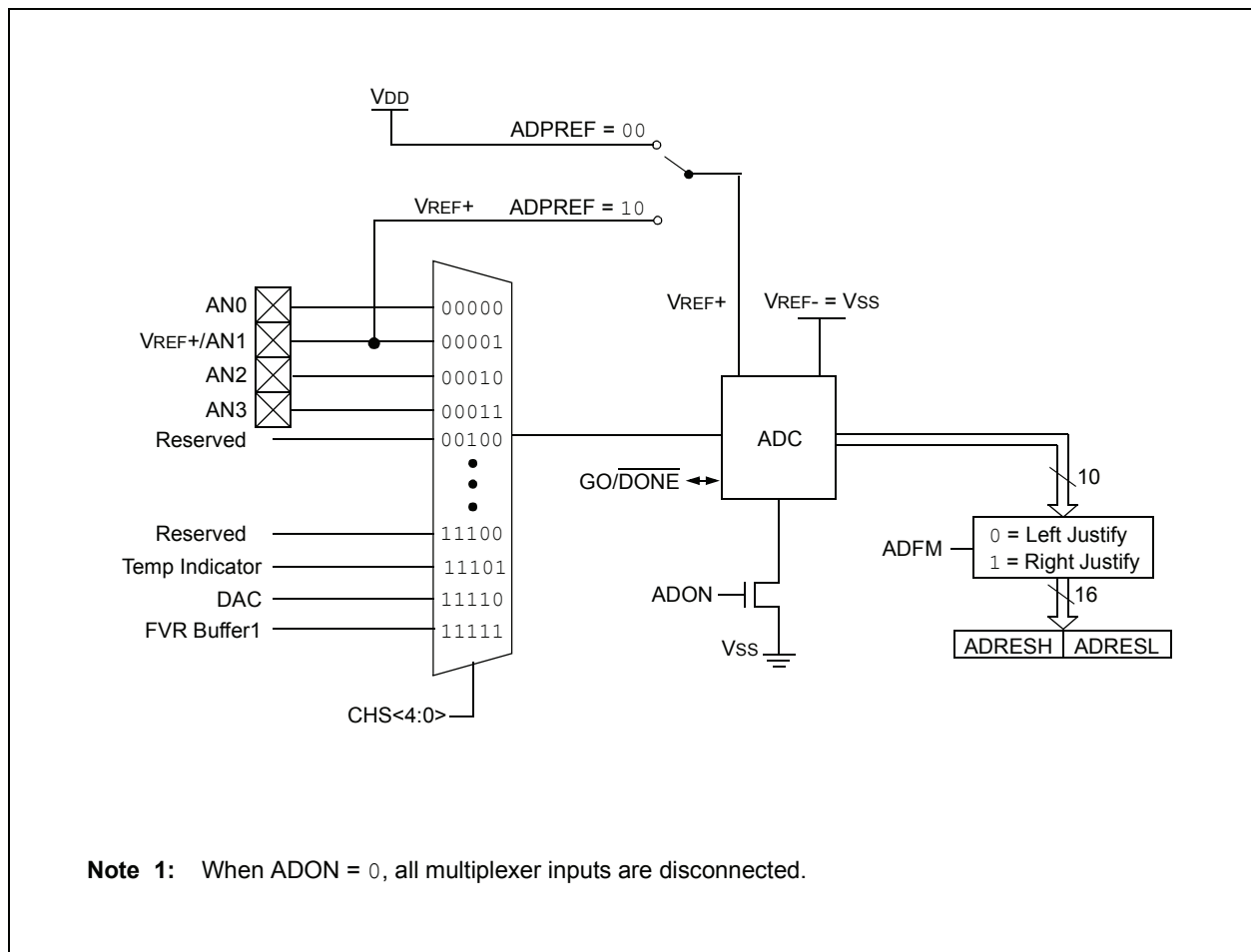
## 15.0 ANALOG-TO-DIGITAL CONVERTER (ADC) MODULE

The Analog-to-Digital Converter (ADC) allows conversion of an analog input signal to a 10-bit binary representation of that signal. This device uses analog inputs, which are multiplexed into a single sample and hold circuit. The output of the sample and hold is connected to the input of the converter. The converter generates a 10-bit binary result via successive approximation and stores the conversion result into the ADC result registers (ADRESH:ADRESL register pair). Figure 15-1 shows the block diagram of the ADC.

The ADC voltage reference is software selectable to be either internally generated or externally supplied.

The ADC can generate an interrupt upon completion of a conversion. This interrupt can be used to wake-up the device from Sleep.

**FIGURE 15-1: ADC BLOCK DIAGRAM**



# PIC12(L)F1501

## 15.1 ADC Configuration

When configuring and using the ADC the following functions must be considered:

- Port configuration
- Channel selection
- ADC voltage reference selection
- ADC conversion clock source
- Interrupt control
- Result formatting

### 15.1.1 PORT CONFIGURATION

The ADC can be used to convert both analog and digital signals. When converting analog signals, the I/O pin should be configured for analog by setting the associated TRIS and ANSEL bits. Refer to [Section 11.0 “I/O Ports”](#) for more information.

**Note:** Analog voltages on any pin that is defined as a digital input may cause the input buffer to conduct excess current.

### 15.1.2 CHANNEL SELECTION

There are 7 channel selections available:

- AN<3:0> pins
- Temperature Indicator
- DAC
- FVR (Fixed Voltage Reference) Output

Refer to [Section 13.0 “Fixed Voltage Reference \(FVR\)”](#) and [Section 14.0 “Temperature Indicator Module”](#) for more information on these channel selections.

The CHS bits of the ADCON0 register determine which channel is connected to the sample and hold circuit.

When changing channels, a delay is required before starting the next conversion. Refer to [Section 15.2 “ADC Operation”](#) for more information.

### 15.1.3 ADC VOLTAGE REFERENCE

The ADPREF bits of the ADCON1 register provides control of the positive voltage reference. The positive voltage reference can be:

- VREF+ pin
- VDD

See [Section 13.0 “Fixed Voltage Reference \(FVR\)”](#) for more details on the Fixed Voltage Reference.

### 15.1.4 CONVERSION CLOCK

The source of the conversion clock is software selectable via the ADCS bits of the ADCON1 register. There are seven possible clock options:

- Fosc/2
- Fosc/4
- Fosc/8
- Fosc/16
- Fosc/32
- Fosc/64
- FRC (dedicated internal oscillator)

The time to complete one bit conversion is defined as TAD. One full 10-bit conversion requires 11.5 TAD periods as shown in [Figure 15-2](#).

For correct conversion, the appropriate TAD specification must be met. Refer to the A/D conversion requirements in [Section 27.0 “Electrical Specifications”](#) for more information. [Table 15-1](#) gives examples of appropriate ADC clock selections.

**Note:** Unless using the FRC, any changes in the system clock frequency will change the ADC clock frequency, which may adversely affect the ADC result.

**TABLE 15-1: ADC CLOCK PERIOD (TAD) Vs. DEVICE OPERATING FREQUENCIES**

| ADC Clock Period (TAD) |           | Device Frequency (Fosc)     |                             |                             |                             |                             |
|------------------------|-----------|-----------------------------|-----------------------------|-----------------------------|-----------------------------|-----------------------------|
| ADC Clock Source       | ADCS<2:0> | 20 MHz                      | 16 MHz                      | 8 MHz                       | 4 MHz                       | 1 MHz                       |
| FOSC/2                 | 000       | 100 ns <sup>(2)</sup>       | 125 ns <sup>(2)</sup>       | 250 ns <sup>(2)</sup>       | 500 ns <sup>(2)</sup>       | 2.0 μs                      |
| FOSC/4                 | 100       | 200 ns <sup>(2)</sup>       | 250 ns <sup>(2)</sup>       | 500 ns <sup>(2)</sup>       | 1.0 μs                      | 4.0 μs                      |
| FOSC/8                 | 001       | 400 ns <sup>(2)</sup>       | 0.5 μs <sup>(2)</sup>       | 1.0 μs                      | 2.0 μs                      | 8.0 μs <sup>(3)</sup>       |
| FOSC/16                | 101       | 800 ns                      | 1.0 μs                      | 2.0 μs                      | 4.0 μs                      | 16.0 μs <sup>(3)</sup>      |
| FOSC/32                | 010       | 1.6 μs                      | 2.0 μs                      | 4.0 μs                      | 8.0 μs <sup>(3)</sup>       | 32.0 μs <sup>(3)</sup>      |
| FOSC/64                | 110       | 3.2 μs                      | 4.0 μs                      | 8.0 μs <sup>(3)</sup>       | 16.0 μs <sup>(3)</sup>      | 64.0 μs <sup>(3)</sup>      |
| FRC                    | x11       | 1.0-6.0 μs <sup>(1,4)</sup> | 1.0-6.0 μs <sup>(1,4)</sup> | 1.0-6.0 μs <sup>(1,4)</sup> | 1.0-6.0 μs <sup>(1,4)</sup> | 1.0-6.0 μs <sup>(1,4)</sup> |

**Legend:** Shaded cells are outside of recommended range.

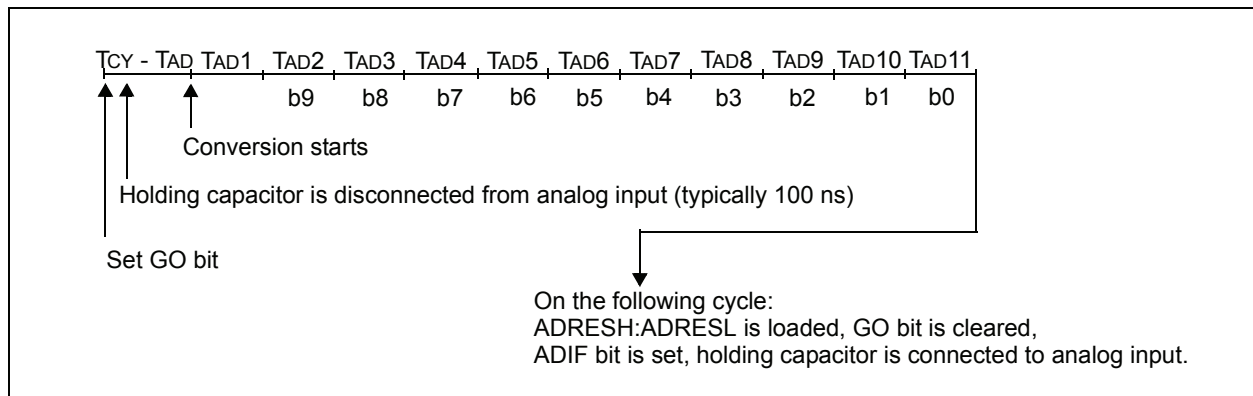
**Note 1:** The FRC source has a typical TAD time of 1.6 μs for VDD.

**2:** These values violate the minimum required TAD time.

**3:** For faster conversion times, the selection of another clock source is recommended.

**4:** The ADC clock period (TAD) and total ADC conversion time can be minimized when the ADC clock is derived from the system clock FOSC. However, the FRC clock source must be used when conversions are to be performed with the device in Sleep mode.

**FIGURE 15-2: ANALOG-TO-DIGITAL CONVERSION TAD CYCLES**



# PIC12(L)F1501

## 15.1.5 INTERRUPTS

The ADC module allows for the ability to generate an interrupt upon completion of an Analog-to-Digital conversion. The ADC Interrupt Flag is the ADIF bit in the PIR1 register. The ADC Interrupt Enable is the ADIE bit in the PIE1 register. The ADIF bit must be cleared in software.

**Note 1:** The ADIF bit is set at the completion of every conversion, regardless of whether or not the ADC interrupt is enabled.

**2:** The ADC operates during Sleep only when the FRC oscillator is selected.

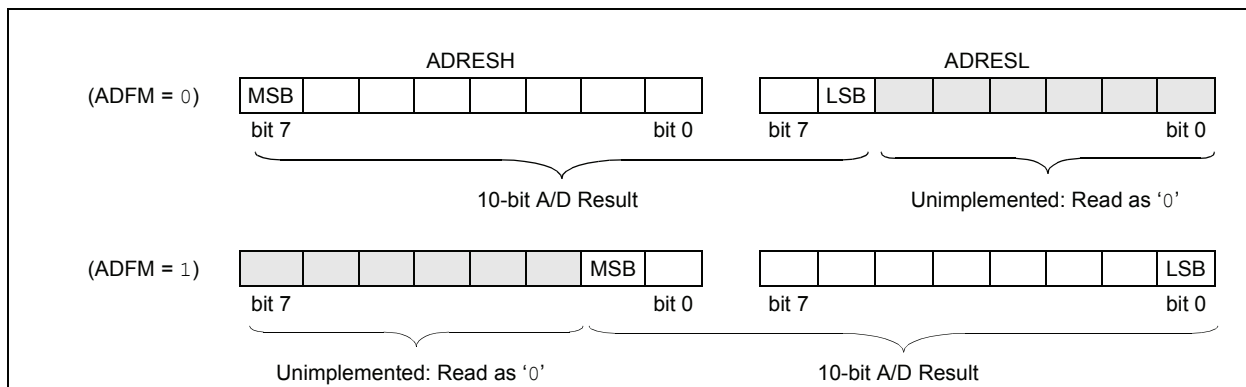
This interrupt can be generated while the device is operating or while in Sleep. If the device is in Sleep, the interrupt will wake-up the device. Upon waking from Sleep, the next instruction following the `SLEEP` instruction is always executed. If the user is attempting to wake-up from Sleep and resume in-line code execution, the GIE and PEIE bits of the INTCON register must be disabled. If the GIE and PEIE bits of the INTCON register are enabled, execution will switch to the Interrupt Service Routine.

## 15.1.6 RESULT FORMATTING

The 10-bit A/D conversion result can be supplied in two formats, left justified or right justified. The ADFM bit of the ADCON1 register controls the output format.

Figure 15-3 shows the two output formats.

**FIGURE 15-3: 10-BIT A/D CONVERSION RESULT FORMAT**



## 15.2 ADC Operation

### 15.2.1 STARTING A CONVERSION

To enable the ADC module, the ADON bit of the ADCON0 register must be set to a '1'. Setting the GO/DONE bit of the ADCON0 register to a '1' will start the Analog-to-Digital conversion.

**Note:** The GO/DONE bit should not be set in the same instruction that turns on the ADC. Refer to [Section 15.2.6 "A/D Conversion Procedure"](#).

### 15.2.2 COMPLETION OF A CONVERSION

When the conversion is complete, the ADC module will:

- Clear the GO/DONE bit
- Set the ADIF Interrupt Flag bit
- Update the ADRESH and ADRESL registers with new conversion result

### 15.2.3 TERMINATING A CONVERSION

If a conversion must be terminated before completion, the GO/DONE bit can be cleared in software. The ADRESH and ADRESL registers will be updated with the partially complete Analog-to-Digital conversion sample. Incomplete bits will match the last bit converted.

**Note:** A device Reset forces all registers to their Reset state. Thus, the ADC module is turned off and any pending conversion is terminated.

### 15.2.4 ADC OPERATION DURING SLEEP

The ADC module can operate during Sleep. This requires the ADC clock source to be set to the FRC option. When the FRC clock source is selected, the ADC waits one additional instruction before starting the conversion. This allows the SLEEP instruction to be executed, which can reduce system noise during the conversion. If the ADC interrupt is enabled, the device will wake-up from Sleep when the conversion completes. If the ADC interrupt is disabled, the ADC module is turned off after the conversion completes, although the ADON bit remains set.

When the ADC clock source is something other than FRC, a SLEEP instruction causes the present conversion to be aborted and the ADC module is turned off, although the ADON bit remains set.

### 15.2.5 AUTO-CONVERSION TRIGGER

The auto-conversion trigger allows periodic ADC measurements without software intervention. When a rising edge of the selected source occurs, the GO/DONE bit is set by hardware.

The auto-conversion trigger source is selected with the TRIGSEL<3:0> bits of the ADCON2 register.

Using the auto-conversion trigger does not assure proper ADC timing. It is the user's responsibility to ensure that the ADC timing requirements are met.

Auto-conversion sources are:

- TMR0
- TMR1
- TMR2
- C1
- CLC1
- CLC2

# PIC12(L)F1501

## 15.2.6 A/D CONVERSION PROCEDURE

This is an example procedure for using the ADC to perform an Analog-to-Digital conversion:

1. Configure Port:
  - Disable pin output driver (Refer to the TRIS register)
  - Configure pin as analog (Refer to the ANSEL register)
2. Configure the ADC module:
  - Select ADC conversion clock
  - Configure voltage reference
  - Select ADC input channel
  - Turn on ADC module
3. Configure ADC interrupt (optional):
  - Clear ADC interrupt flag
  - Enable ADC interrupt
  - Enable peripheral interrupt
  - Enable global interrupt<sup>(1)</sup>
4. Wait the required acquisition time<sup>(2)</sup>.
5. Start conversion by setting the  $\overline{GO/DONE}$  bit.
6. Wait for ADC conversion to complete by one of the following:
  - Polling the  $\overline{GO/DONE}$  bit
  - Waiting for the ADC interrupt (interrupts enabled)
7. Read ADC Result.
8. Clear the ADC interrupt flag (required if interrupt is enabled).

**Note 1:** The global interrupt can be disabled if the user is attempting to wake-up from Sleep and resume in-line code execution.

**2:** Refer to [Section 15.3 “A/D Acquisition Requirements”](#).

## EXAMPLE 15-1: A/D CONVERSION

```
;This code block configures the ADC
;for polling, Vdd and Vss references, Frc
;clock and AN0 input.
;
;Conversion start & polling for completion
; are included.
;
BANKSEL    ADCON1    ;
MOVLW     B'11110000' ;Right justify, Frc
                                ;clock
MOVWF     ADCON1    ;Vdd and Vss Vref+
BANKSEL    TRISA     ;
BSF       TRISA,0   ;Set RA0 to input
BANKSEL    ANSEL     ;
BSF       ANSEL,0   ;Set RA0 to analog
BANKSEL    ADCON0    ;
MOVLW     B'00000001' ;Select channel AN0
MOVWF     ADCON0    ;Turn ADC On
CALL      SampleTime ;Acquisition delay
BSF       ADCON0,ADGO ;Start conversion
BTFSC    ADCON0,ADGO ;Is conversion done?
GOTO     $-1        ;No, test again
BANKSEL    ADRESH    ;
MOVF     ADRESH,W   ;Read upper 2 bits
MOVWF    RESULTHI   ;store in GPR space
BANKSEL    ADRESL    ;
MOVF     ADRESL,W   ;Read lower 8 bits
MOVWF    RESULTLO   ;Store in GPR space
```

## 15.2.7 ADC REGISTER DEFINITIONS

The following registers are used to control the operation of the ADC.

### REGISTER 15-1: ADCON0: A/D CONTROL REGISTER 0

|       |          |         |         |         |         |         |         |
|-------|----------|---------|---------|---------|---------|---------|---------|
| U-0   | R/W-0/0  | R/W-0/0 | R/W-0/0 | R/W-0/0 | R/W-0/0 | R/W-0/0 | R/W-0/0 |
| —     | CHS<4:0> |         |         |         |         | GO/DONE | ADON    |
| bit 7 |          |         |         |         |         |         | bit 0   |

#### Legend:

|                      |                      |   |
|----------------------|----------------------|---|
| R = Readable bit     | W = Writable bit     | U = Unimplemented bit, read as '0'                    |
| u = Bit is unchanged | x = Bit is unknown   | -n/n = Value at POR and BOR/Value at all other Resets |
| '1' = Bit is set     | '0' = Bit is cleared |   |

bit 7 **Unimplemented:** Read as '0'

bit 6-2 **CHS<4:0>:** Analog Channel Select bits

|  |
|--|
| 00000 = AN0  |
| 00001 = AN1  |
| 00010 = AN2  |
| 00011 = AN3  |
| 00100 = Reserved. No channel connected.                              |
| •  |
| •  |
| •  |
| 11100 = Reserved. No channel connected.                              |
| 11101 = Temperature Indicator <sup>(1)</sup>                         |
| 11110 = DAC (Digital-to-Analog Converter) <sup>(2)</sup>             |
| 11111 = FVR (Fixed Voltage Reference) Buffer 1 Output <sup>(3)</sup> |

bit 1 **GO/DONE:** A/D Conversion Status bit

|  |
|--|
| 1 = A/D conversion cycle in progress. Setting this bit starts an A/D conversion cycle.<br>This bit is automatically cleared by hardware when the A/D conversion has completed. |
| 0 = A/D conversion completed/not in progress   |

bit 0 **ADON:** ADC Enable bit

|   |
|---|
| 1 = ADC is enabled                                    |
| 0 = ADC is disabled and consumes no operating current |

- Note 1:** See [Section 14.0 “Temperature Indicator Module”](#) for more information.  
**Note 2:** See [Section 16.0 “Digital-to-Analog Converter \(DAC\) Module”](#) for more information.  
**Note 3:** See [Section 13.0 “Fixed Voltage Reference \(FVR\)”](#) for more information.

# PIC12(L)F1501

## REGISTER 15-2: ADCON1: A/D CONTROL REGISTER 1

|         |           |         |         |     |     |             |         |
|---------|-----------|---------|---------|-----|-----|-------------|---------|
| R/W-0/0 | R/W-0/0   | R/W-0/0 | R/W-0/0 | U-0 | U-0 | R/W-0/0     | R/W-0/0 |
| ADFM    | ADCS<2:0> |         |         | —   | —   | ADPREF<1:0> |         |
| bit 7   |           |         |         |     |     |             | bit 0   |

### Legend:

|                      |                      |   |
|----------------------|----------------------|---|
| R = Readable bit     | W = Writable bit     | U = Unimplemented bit, read as '0'                    |
| u = Bit is unchanged | x = Bit is unknown   | -n/n = Value at POR and BOR/Value at all other Resets |
| '1' = Bit is set     | '0' = Bit is cleared |   |

- bit 7      **ADFM:** A/D Result Format Select bit  
 1 = Right justified. Six Most Significant bits of ADRESH are set to '0' when the conversion result is loaded.  
 0 = Left justified. Six Least Significant bits of ADRESL are set to '0' when the conversion result is loaded.
- bit 6-4      **ADCS<2:0>:** A/D Conversion Clock Select bits  
 000 = Fosc/2  
 001 = Fosc/8  
 010 = Fosc/32  
 011 = FRC (clock supplied from a dedicated RC oscillator)  
 100 = Fosc/4  
 101 = Fosc/16  
 110 = Fosc/64  
 111 = FRC (clock supplied from a dedicated RC oscillator)
- bit 3-2      **Unimplemented:** Read as '0'
- bit 1-0      **ADPREF<1:0>:** A/D Positive Voltage Reference Configuration bits  
 00 = VREF+ is connected to VDD  
 01 = Reserved  
 10 = VREF+ is connected to external VREF+ pin<sup>(1)</sup>  
 11 = Reserved

**Note 1:** When selecting the VREF+ pin as the source of the positive reference, be aware that a minimum voltage specification exists. See [Section 27.0 "Electrical Specifications"](#) for details.



## REGISTER 15-3: ADCON2: A/D CONTROL REGISTER 2

|              |         |         |         |       |     |     |     |
|--------------|---------|---------|---------|-------|-----|-----|-----|
| R/W-0/0      | R/W-0/0 | R/W-0/0 | R/W-0/0 | U-0   | U-0 | U-0 | U-0 |
| TRIGSEL<3:0> |         |         |         | —     | —   | —   | —   |
| bit 7        |         |         |         | bit 0 |     |     |     |

### Legend:

|                      |                      |   |
|----------------------|----------------------|---|
| R = Readable bit     | W = Writable bit     | U = Unimplemented bit, read as '0'                    |
| u = Bit is unchanged | x = Bit is unknown   | -n/n = Value at POR and BOR/Value at all other Resets |
| '1' = Bit is set     | '0' = Bit is cleared |   |

bit 7-4      **TRIGSEL<3:0>**: Auto-Conversion Trigger Selection bits<sup>(1)</sup>

|      |                                       |
|------|---------------------------------------|
| 0000 | = No auto-conversion trigger selected |
| 0001 | = Reserved                            |
| 0010 | = Reserved                            |
| 0011 | = TMR0 Overflow <sup>(2)</sup>        |
| 0100 | = TMR1 Overflow <sup>(2)</sup>        |
| 0101 | = TMR2 Match to PR2 <sup>(2)</sup>    |
| 0110 | = C1OUT                               |
| 0111 | = Reserved                            |
| 1000 | = CLC1                                |
| 1001 | = CLC2                                |
| 1010 | = Reserved                            |
| 1011 | = Reserved                            |
| 1100 | = Reserved                            |
| 1101 | = Reserved                            |
| 1110 | = Reserved                            |
| 1111 | = Reserved                            |

bit 3-0      **Unimplemented**: Read as '0'

**Note 1:** This is a rising edge sensitive input for all sources.

**2:** Signal also sets its corresponding interrupt flag.

# PIC12(L)F1501

## REGISTER 15-4: ADRESH: ADC RESULT REGISTER HIGH (ADRESH) ADFM = 0

|            |         |         |         |         |         |         |         |
|------------|---------|---------|---------|---------|---------|---------|---------|
| R/W-x/u    | R/W-x/u | R/W-x/u | R/W-x/u | R/W-x/u | R/W-x/u | R/W-x/u | R/W-x/u |
| ADRES<9:2> |         |         |         |         |         |         |         |
| bit 7      |         |         |         |         |         |         | bit 0   |

**Legend:**

|                      |                      |   |
|----------------------|----------------------|---|
| R = Readable bit     | W = Writable bit     | U = Unimplemented bit, read as '0'                    |
| u = Bit is unchanged | x = Bit is unknown   | -n/n = Value at POR and BOR/Value at all other Resets |
| '1' = Bit is set     | '0' = Bit is cleared |   |

bit 7-0      **ADRES<9:2>**: ADC Result Register bits  
Upper 8 bits of 10-bit conversion result

## REGISTER 15-5: ADRESL: ADC RESULT REGISTER LOW (ADRESL) ADFM = 0

|            |         |         |         |         |         |         |         |
|------------|---------|---------|---------|---------|---------|---------|---------|
| R/W-x/u    | R/W-x/u | R/W-x/u | R/W-x/u | R/W-x/u | R/W-x/u | R/W-x/u | R/W-x/u |
| ADRES<1:0> |         | —       | —       | —       | —       | —       | —       |
| bit 7      |         |         |         |         |         |         | bit 0   |

**Legend:**

|                      |                      |   |
|----------------------|----------------------|---|
| R = Readable bit     | W = Writable bit     | U = Unimplemented bit, read as '0'                    |
| u = Bit is unchanged | x = Bit is unknown   | -n/n = Value at POR and BOR/Value at all other Resets |
| '1' = Bit is set     | '0' = Bit is cleared |   |

bit 7-6      **ADRES<1:0>**: ADC Result Register bits  
Lower 2 bits of 10-bit conversion result

bit 5-0      **Reserved**: Do not use.

## REGISTER 15-6: ADRESH: ADC RESULT REGISTER HIGH (ADRESH) ADFM = 1

|         |         |         |         |         |         |            |         |
|---------|---------|---------|---------|---------|---------|------------|---------|
| R/W-x/u | R/W-x/u | R/W-x/u | R/W-x/u | R/W-x/u | R/W-x/u | R/W-x/u    | R/W-x/u |
| —       | —       | —       | —       | —       | —       | ADRES<9:8> |         |
| bit 7   |         |         |         |         |         |            | bit 0   |

### Legend:

|                      |                      |   |
|----------------------|----------------------|---|
| R = Readable bit     | W = Writable bit     | U = Unimplemented bit, read as '0'                    |
| u = Bit is unchanged | x = Bit is unknown   | -n/n = Value at POR and BOR/Value at all other Resets |
| '1' = Bit is set     | '0' = Bit is cleared |   |

bit 7-2      **Reserved:** Do not use.  
bit 1-0      **ADRES<9:8>:** ADC Result Register bits  
Upper 2 bits of 10-bit conversion result

## REGISTER 15-7: ADRESL: ADC RESULT REGISTER LOW (ADRESL) ADFM = 1

|            |         |         |         |         |         |         |         |
|------------|---------|---------|---------|---------|---------|---------|---------|
| R/W-x/u    | R/W-x/u | R/W-x/u | R/W-x/u | R/W-x/u | R/W-x/u | R/W-x/u | R/W-x/u |
| ADRES<7:0> |         |         |         |         |         |         |         |
| bit 7      |         |         |         |         |         |         | bit 0   |

### Legend:

|                      |                      |   |
|----------------------|----------------------|---|
| R = Readable bit     | W = Writable bit     | U = Unimplemented bit, read as '0'                    |
| u = Bit is unchanged | x = Bit is unknown   | -n/n = Value at POR and BOR/Value at all other Resets |
| '1' = Bit is set     | '0' = Bit is cleared |   |

bit 7-0      **ADRES<7:0>:** ADC Result Register bits  
Lower 8 bits of 10-bit conversion result

# PIC12(L)F1501

## 15.3 A/D Acquisition Requirements

For the ADC to meet its specified accuracy, the charge holding capacitor (CHOLD) must be allowed to fully charge to the input channel voltage level. The Analog Input model is shown in Figure 15-4. The source impedance (RS) and the internal sampling switch (RSS) impedance directly affect the time required to charge the capacitor CHOLD. The sampling switch (RSS) impedance varies over the device voltage (VDD), refer to Figure 15-4. **The maximum recommended impedance for analog sources is 10 kΩ.** As the

source impedance is decreased, the acquisition time may be decreased. After the analog input channel is selected (or changed), an A/D acquisition must be done before the conversion can be started. To calculate the minimum acquisition time, Equation 15-1 may be used. This equation assumes that 1/2 LSB error is used (1,024 steps for the ADC). The 1/2 LSB error is the maximum error allowed for the ADC to meet its specified resolution.

### EQUATION 15-1: ACQUISITION TIME EXAMPLE

*Assumptions: Temperature = 50°C and external impedance of 10kΩ 5.0V VDD*

$$\begin{aligned}TACQ &= \text{Amplifier Settling Time} + \text{Hold Capacitor Charging Time} + \text{Temperature Coefficient} \\ &= TAMP + TC + TCOFF \\ &= 2\mu s + TC + [(Temperature - 25^\circ C)(0.05\mu s/^\circ C)]\end{aligned}$$

*The value for TC can be approximated with the following equations:*

$$V_{APPLIED} \left( 1 - \frac{1}{(2^{n+1}) - 1} \right) = V_{CHOLD} \quad ;[1] \text{ } V_{CHOLD} \text{ charged to within } 1/2 \text{ lsb}$$

$$V_{APPLIED} \left( 1 - e^{\frac{-TC}{RC}} \right) = V_{CHOLD} \quad ;[2] \text{ } V_{CHOLD} \text{ charge response to } V_{APPLIED}$$

$$V_{APPLIED} \left( 1 - e^{\frac{-TC}{RC}} \right) = V_{APPLIED} \left( 1 - \frac{1}{(2^{n+1}) - 1} \right) \quad ;\text{combining [1] and [2]}$$

*Note: Where n = number of bits of the ADC.*

*Solving for TC:*

$$\begin{aligned}TC &= -CHOLD(RIC + RSS + RS) \ln(1/2047) \\ &= -12.5pF(1k\Omega + 7k\Omega + 10k\Omega) \ln(0.0004885) \\ &= 1.12\mu s\end{aligned}$$

*Therefore:*

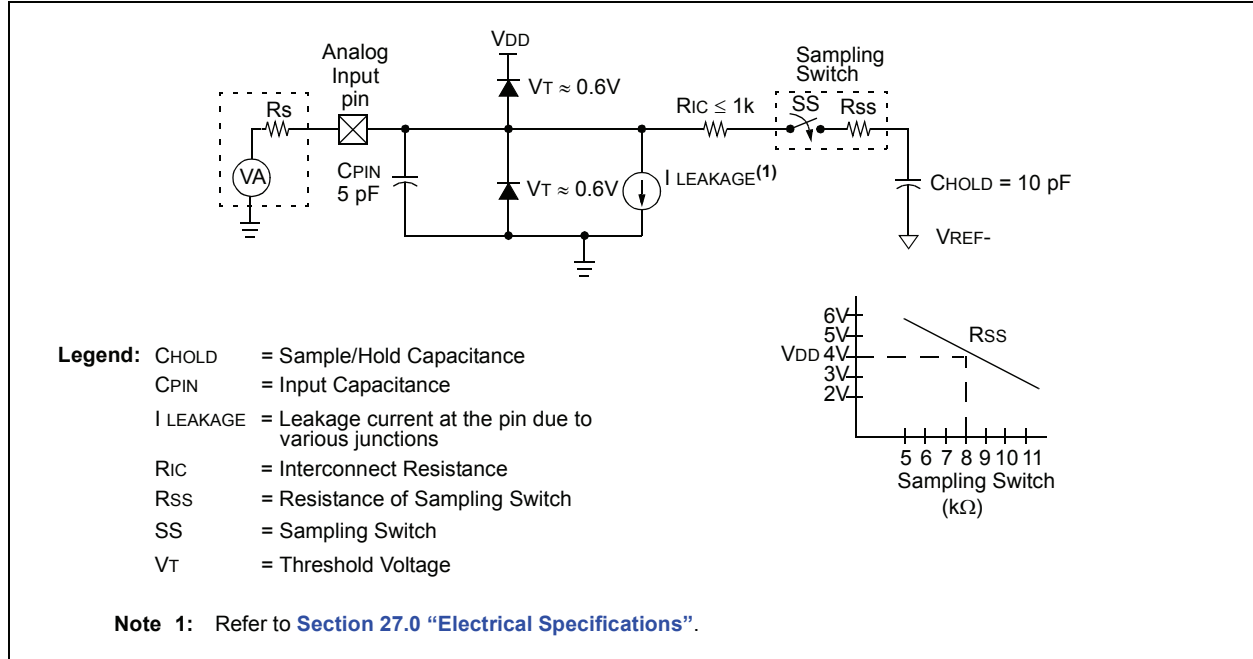
$$\begin{aligned}TACQ &= 5\mu s + 1.12\mu s + [(50^\circ C - 25^\circ C)(0.05\mu s/^\circ C)] \\ &= 7.37\mu s\end{aligned}$$

**Note 1:** The reference voltage (VREF+) has no effect on the equation, since it cancels itself out.

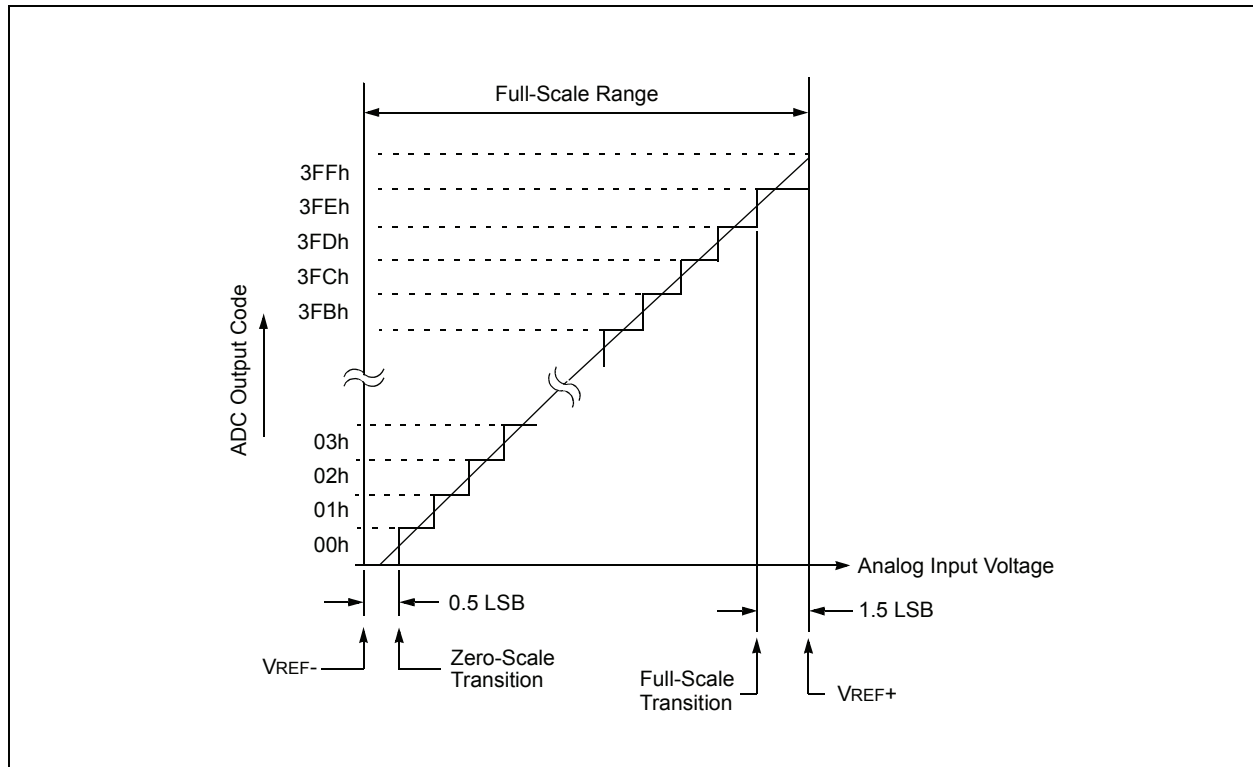
**2:** The charge holding capacitor (CHOLD) is not discharged after each conversion.

**3:** The maximum recommended impedance for analog sources is 10 kΩ. This is required to meet the pin leakage specification.

**FIGURE 15-4: ANALOG INPUT MODEL**



**FIGURE 15-5: ADC TRANSFER FUNCTION**



# PIC12(L)F1501

**TABLE 15-2: SUMMARY OF REGISTERS ASSOCIATED WITH ADC**

| Name   | Bit 7                    | Bit 6     | Bit 5  | Bit 4  | Bit 3            | Bit 2  | Bit 1       | Bit 0  | Register on Page |
|--------|--------------------------|-----------|--------|--------|------------------|--------|-------------|--------|------------------|
| ADCON0 | —                        | CHS<4:0>  |        |        |                  |        | GO/DONE     | ADON   | 119              |
| ADCON1 | ADFM                     | ADCS<2:0> |        |        | —                | —      | ADPREF<1:0> |        | 120              |
| ADCON2 | TRIGSEL<3:0>             |           |        |        | —                | —      | —           | —      | 121              |
| ADRESH | A/D Result Register High |           |        |        |                  |        |             |        | 122, 123         |
| ADRESL | A/D Result Register Low  |           |        |        |                  |        |             |        | 122, 123         |
| ANSELA | —                        | —         | —      | ANSA4  | —                | ANSA2  | ANSA1       | ANSA0  | 103              |
| INTCON | GIE                      | PEIE      | TMR0IE | INTE   | IOCIE            | TMR0IF | INTF        | IOCIF  | 66               |
| PIE1   | TMR1GIE                  | ADIE      | —      | —      | —                | —      | TMR2IE      | TMR1IE | 67               |
| PIR1   | TMR1GIF                  | ADIF      | —      | —      | —                | —      | TMR2IF      | TMR1IF | 70               |
| TRISA  | —                        | —         | TRISA5 | TRISA4 | — <sup>(1)</sup> | TRISA2 | TRISA1      | TRISA0 | 102              |
| FVRCON | FVREN                    | FVRRDY    | TSEN   | TSRNG  | CDAFVR<1:0>      |        | ADFVR<1:0>  |        | 110              |

**Legend:** x = unknown, u = unchanged, — = unimplemented read as '0', q = value depends on condition. Shaded cells are not used for ADC module.

**Note 1:** Unimplemented, read as '1'.

## 16.0 DIGITAL-TO-ANALOG CONVERTER (DAC) MODULE

The Digital-to-Analog Converter supplies a variable voltage reference, ratiometric with the input source, with 32 selectable output levels.

The input of the DAC can be connected to:

- External VREF+ pin
- VDD supply voltage

The output of the DAC can be configured to supply a reference voltage to the following:

- Comparator positive input
- ADC input channel
- DACOUT1 pin
- DACOUT2 pin

The Digital-to-Analog Converter (DAC) can be enabled by setting the DACEN bit of the DACCON0 register.

## 16.1 Output Voltage Selection

The DAC has 32 voltage level ranges. The 32 levels are set with the DACR<4:0> bits of the DACCON1 register.

The DAC output voltage is determined by the following equations:

### EQUATION 16-1: DAC OUTPUT VOLTAGE

***IF DACEN = 1***

$$V_{OUT} = \left( (V_{SOURCE+} - V_{SOURCE-}) \times \frac{DACR[4:0]}{2^5} \right) + V_{SOURCE-}$$

***IF DACEN = 0 and DACLPS = 1 and DACR[4:0] = 11111***

$$V_{OUT} = V_{SOURCE+}$$

***IF DACEN = 0 and DACLPS = 0 and DACR[4:0] = 00000***

$$V_{OUT} = V_{SOURCE-}$$

$$V_{SOURCE+} = V_{DD}, V_{REF}, \text{ or } FVR \text{ BUFFER } 2$$

$$V_{SOURCE-} = V_{SS}$$

## 16.2 Ratiometric Output Level

The DAC output value is derived using a resistor ladder with each end of the ladder tied to a positive and negative voltage reference input source. If the voltage of either input source fluctuates, a similar fluctuation will result in the DAC output value.

The value of the individual resistors within the ladder can be found in [Section 27.0 “Electrical Specifications”](#).

## 16.3 DAC Voltage Reference Output

The DAC voltage can be output to the DACOUT1 and DACOUT2 pins by setting the respective DACOE1 and DACOE2 pins of the DACCON0 register. Selecting the DAC reference voltage for output on either DACOUTx pin automatically overrides the digital output buffer and digital input threshold detector functions of that pin. Reading the DACOUTx pin when it has been configured for DAC reference voltage output will always return a '0'.

Due to the limited current drive capability, a buffer must be used on the DAC voltage reference output for external connections to either DACOUTx pin. [Figure 16-2](#) shows an example buffering technique.

# PIC12(L)F1501

FIGURE 16-1: DIGITAL-TO-ANALOG CONVERTER BLOCK DIAGRAM

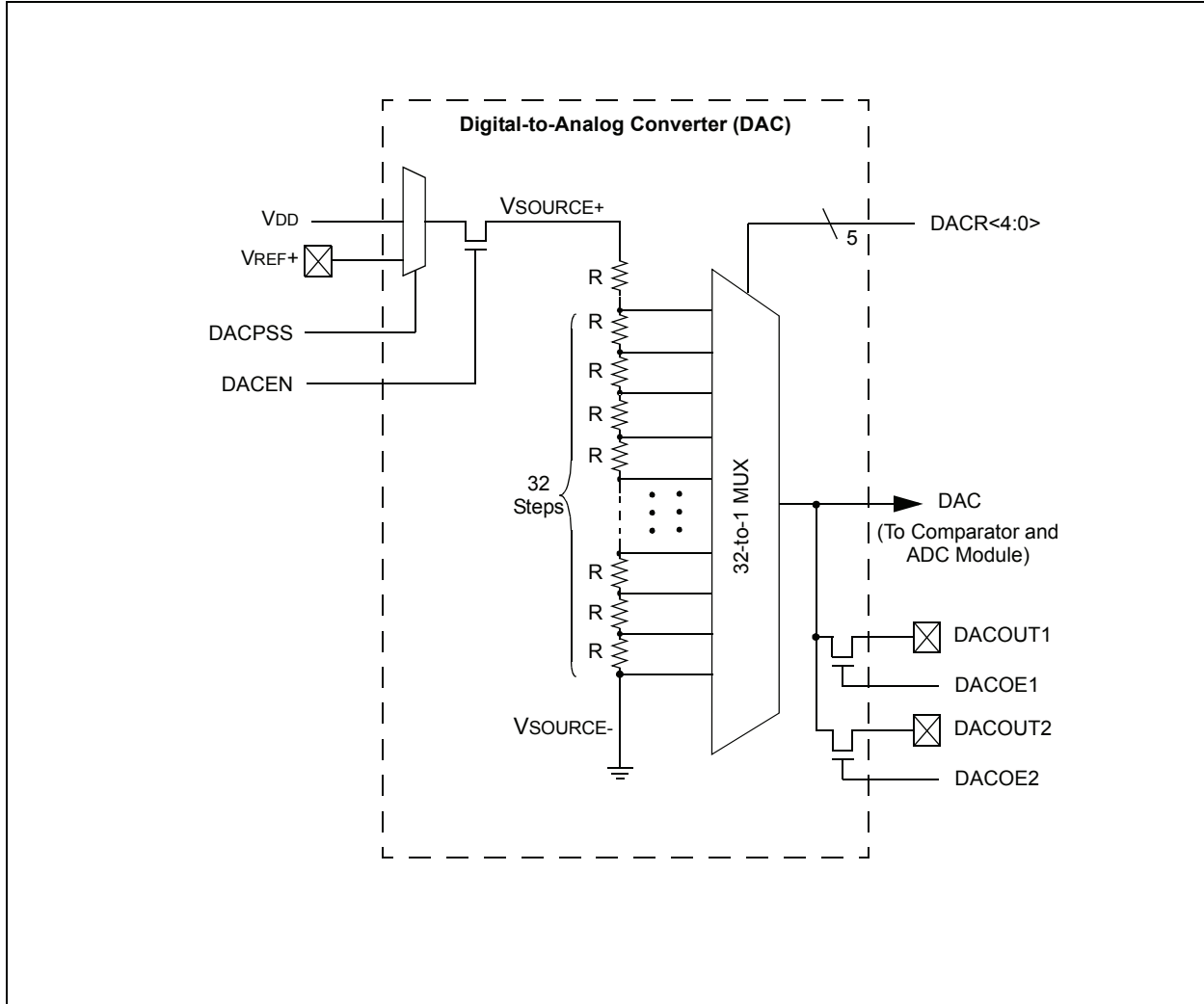
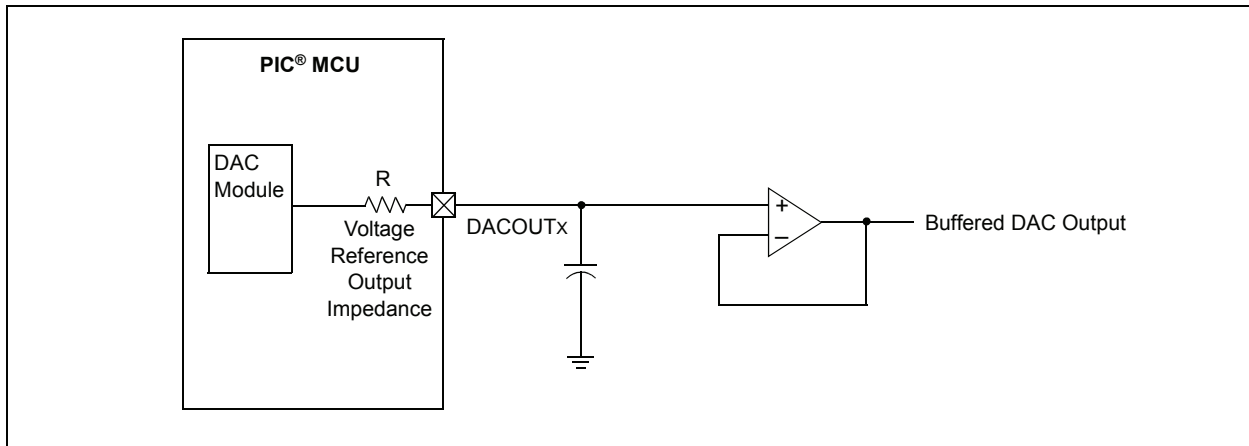


FIGURE 16-2: VOLTAGE REFERENCE OUTPUT BUFFER EXAMPLE





## 16.4 Operation During Sleep

When the device wakes up from Sleep through an interrupt or a Watchdog Timer time-out, the contents of the DACCON0 register are not affected. To minimize current consumption in Sleep mode, the voltage reference should be disabled.

## 16.5 Effects of a Reset

A device Reset affects the following:

- DAC is disabled.
- DAC output voltage is removed from the DACOUT pin.
- The DACR<4:0> range select bits are cleared.

# PIC12(L)F1501

## 16.6 DAC Control Registers

**REGISTER 16-1: DACCON0: VOLTAGE REFERENCE CONTROL REGISTER 0**

|         |     |         |         |     |         |     |       |
|---------|-----|---------|---------|-----|---------|-----|-------|
| R/W-0/0 | U-0 | R/W-0/0 | R/W-0/0 | U-0 | R/W-0/0 | U-0 | U-0   |
| DACEN   | —   | DACOE1  | DACOE2  | —   | DACPSS  | —   | —     |
| bit 7   |     |         |         |     |         |     | bit 0 |

**Legend:**

R = Readable bit                      W = Writable bit                      U = Unimplemented bit, read as '0'  
u = Bit is unchanged                      x = Bit is unknown                      -n/n = Value at POR and BOR/Value at all other Resets  
'1' = Bit is set                              '0' = Bit is cleared

- bit 7            **DACEN:** DAC Enable bit  
1 = DAC is enabled  
0 = DAC is disabled
- bit 6            **Unimplemented:** Read as '0'
- bit 5            **DACOE1:** DAC Voltage Output Enable bit  
1 = DAC voltage level is also an output on the DACOUT1 pin  
0 = DAC voltage level is disconnected from the DACOUT1 pin
- bit 4            **DACOE2:** DAC Voltage Output Enable bit  
1 = DAC voltage level is also an output on the DACOUT2 pin  
0 = DAC voltage level is disconnected from the DACOUT2 pin
- bit 3            **Unimplemented:** Read as '0'
- bit 2            **DACPSS:** DAC Positive Source Select bit  
1 = VREF+ pin  
0 = VDD
- bit 1-0        **Unimplemented:** Read as '0'

**REGISTER 16-2: DACCON1: VOLTAGE REFERENCE CONTROL REGISTER 1**

|       |     |     |           |         |         |         |         |
|-------|-----|-----|-----------|---------|---------|---------|---------|
| U-0   | U-0 | U-0 | R/W-0/0   | R/W-0/0 | R/W-0/0 | R/W-0/0 | R/W-0/0 |
| —     | —   | —   | DACR<4:0> |         |         |         | —       |
| bit 7 |     |     |           |         |         |         | bit 0   |

**Legend:**

R = Readable bit                      W = Writable bit                      U = Unimplemented bit, read as '0'  
u = Bit is unchanged                      x = Bit is unknown                      -n/n = Value at POR and BOR/Value at all other Resets  
'1' = Bit is set                              '0' = Bit is cleared

- bit 7-5        **Unimplemented:** Read as '0'
- bit 4-0        **DACR<4:0>:** DAC Voltage Output Select bits

**TABLE 16-1: SUMMARY OF REGISTERS ASSOCIATED WITH THE DAC MODULE**

| Name    | Bit 7 | Bit 6  | Bit 5  | Bit 4     | Bit 3       | Bit 2  | Bit 1  | Bit 0  | Register on page |
|---------|-------|--------|--------|-----------|-------------|--------|--------|--------|------------------|
| FVRCON  | FVREN | FVRRDY | TSEN   | TSRNG     | CDAFVR<1:0> |        | ADFVR1 | ADFVR0 | 161              |
| DACCON0 | DACEN | —      | DACOE1 | DACOE2    | —           | DACPSS | —      | —      | 130              |
| DACCON1 | —     | —      | —      | DACR<4:0> |             |        |        | —      | 130              |

**Legend:** — = Unimplemented location, read as '0'. Shaded cells are not used with the DAC module.

## 17.0 COMPARATOR MODULE

Comparators are used to interface analog circuits to a digital circuit by comparing two analog voltages and providing a digital indication of their relative magnitudes. Comparators are very useful mixed signal building blocks because they provide analog functionality independent of program execution. The analog comparator module includes the following features:

- Independent comparator control
- Programmable input selection
- Comparator output is available internally/externally
- Programmable output polarity
- Interrupt-on-change
- Wake-up from Sleep
- Programmable Speed/Power optimization
- PWM shutdown
- Programmable and fixed voltage reference

### 17.1 Comparator Overview

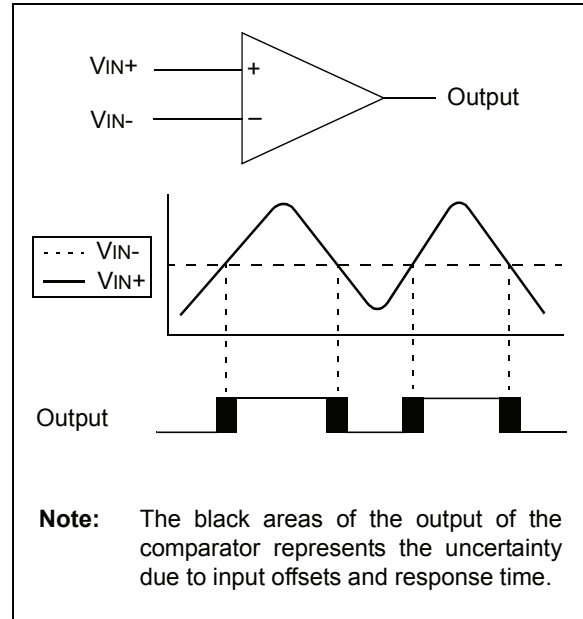
A single comparator is shown in [Figure 17-1](#) along with the relationship between the analog input levels and the digital output. When the analog voltage at  $V_{IN+}$  is less than the analog voltage at  $V_{IN-}$ , the output of the comparator is a digital low level. When the analog voltage at  $V_{IN+}$  is greater than the analog voltage at  $V_{IN-}$ , the output of the comparator is a digital high level.

The comparators available for this device are located in [Table 17-1](#).

**TABLE 17-1: COMPARATOR AVAILABILITY PER DEVICE**

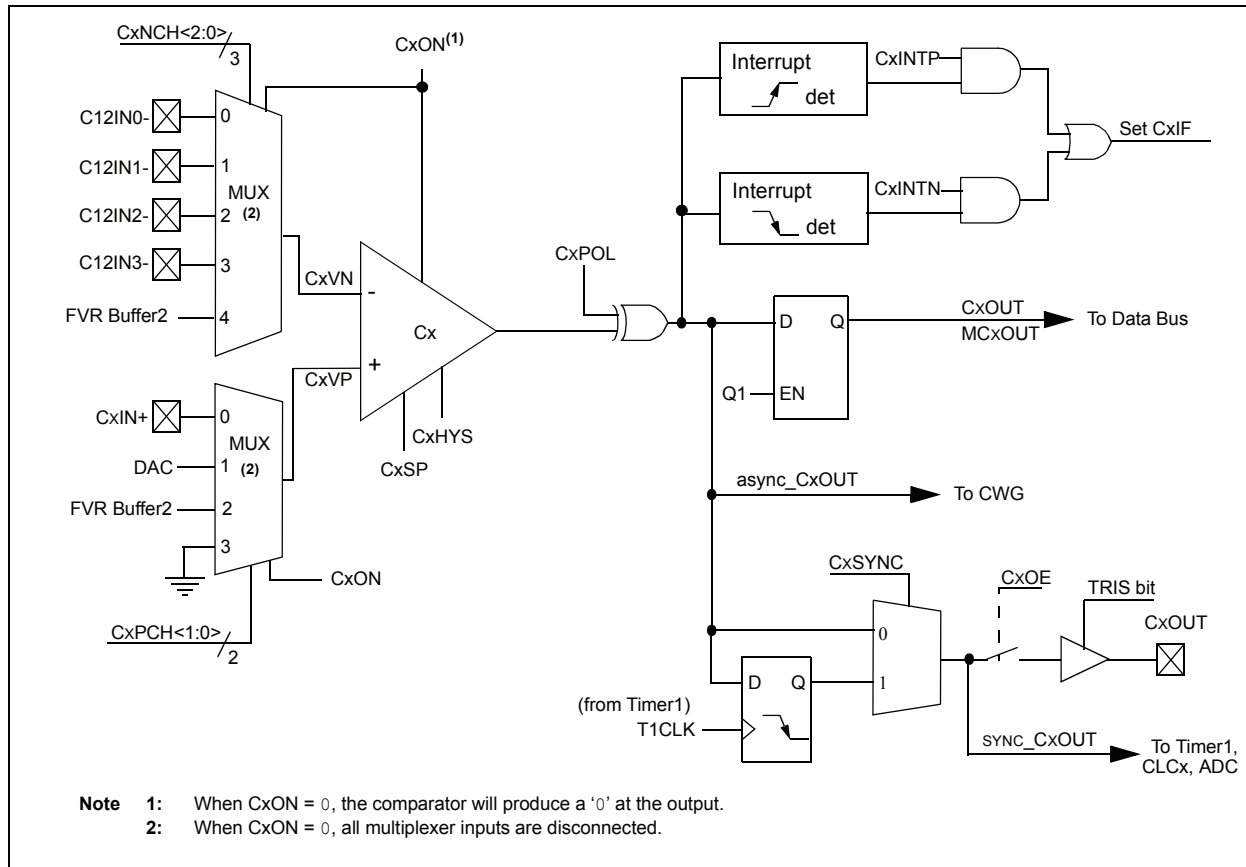
| Device      | C1 |
|-------------|----|
| PIC12F1501  | •  |
| PIC12LF1501 | •  |

**FIGURE 17-1: SINGLE COMPARATOR**



# PIC12(L)F1501

**FIGURE 17-2: COMPARATOR MODULES SIMPLIFIED BLOCK DIAGRAM**



## 17.2 Comparator Control

Each comparator has 2 control registers: CMxCON0 and CMxCON1.

The CMxCON0 registers (see [Register 17-1](#)) contain Control and Status bits for the following:

- Enable
- Output selection
- Output polarity
- Speed/Power selection
- Hysteresis enable
- Output synchronization

The CMxCON1 registers (see [Register 17-2](#)) contain Control bits for the following:

- Interrupt enable
- Interrupt edge polarity
- Positive input channel selection
- Negative input channel selection

### 17.2.1 COMPARATOR ENABLE

Setting the CxON bit of the CMxCON0 register enables the comparator for operation. Clearing the CxON bit disables the comparator resulting in minimum current consumption.

### 17.2.2 COMPARATOR OUTPUT SELECTION

The output of the comparator can be monitored by reading either the CxOUT bit of the CMxCON0 register or the MCxOUT bit of the CMOUT register. In order to make the output available for an external connection, the following conditions must be true:

- CxOE bit of the CMxCON0 register must be set
- Corresponding TRIS bit must be cleared
- CxON bit of the CMxCON0 register must be set

**Note 1:** The CxOE bit of the CMxCON0 register overrides the PORT data latch. Setting the CxON bit of the CMxCON0 register has no impact on the port override.

**2:** The internal output of the comparator is latched with each instruction cycle. Unless otherwise specified, external outputs are not latched.

### 17.2.3 COMPARATOR OUTPUT POLARITY

Inverting the output of the comparator is functionally equivalent to swapping the comparator inputs. The polarity of the comparator output can be inverted by setting the CxPOL bit of the CMxCON0 register. Clearing the CxPOL bit results in a non-inverted output.

[Table 17-2](#) shows the output state versus input conditions, including polarity control.

**TABLE 17-2: COMPARATOR OUTPUT STATE VS. INPUT CONDITIONS**

| Input Condition | CxPOL | CxOUT |
|-----------------|-------|-------|
| $CxVN > CxVP$   | 0     | 0     |
| $CxVN < CxVP$   | 0     | 1     |
| $CxVN > CxVP$   | 1     | 1     |
| $CxVN < CxVP$   | 1     | 0     |

### 17.2.4 COMPARATOR SPEED/POWER SELECTION

The trade-off between speed or power can be optimized during program execution with the CxSP control bit. The default state for this bit is '1' which selects the normal speed mode. Device power consumption can be optimized at the cost of slower comparator propagation delay by clearing the CxSP bit to '0'.

## 17.3 Comparator Hysteresis

A selectable amount of separation voltage can be added to the input pins of each comparator to provide a hysteresis function to the overall operation. Hysteresis is enabled by setting the CxHYS bit of the CMxCON0 register.

See [Section 27.0 “Electrical Specifications”](#) for more information.

## 17.4 Timer1 Gate Operation

The output resulting from a comparator operation can be used as a source for gate control of Timer1. See [Section 19.5 “Timer1 Gate”](#) for more information. This feature is useful for timing the duration or interval of an analog event.

It is recommended that the comparator output be synchronized to Timer1. This ensures that Timer1 does not increment while a change in the comparator is occurring.

### 17.4.1 COMPARATOR OUTPUT SYNCHRONIZATION

The output from a comparator can be synchronized with Timer1 by setting the CxSYNC bit of the CMxCON0 register.

Once enabled, the comparator output is latched on the falling edge of the Timer1 source clock. If a prescaler is used with Timer1, the comparator output is latched after the prescaling function. To prevent a race condition, the comparator output is latched on the falling edge of the Timer1 clock source and Timer1 increments on the rising edge of its clock source. See the Comparator Block Diagram ([Figure 17-2](#)) and the Timer1 Block Diagram ([Figure 19-1](#)) for more information.

## 17.5 Comparator Interrupt

An interrupt can be generated upon a change in the output value of the comparator for each comparator, a rising edge detector and a falling edge detector are present.

When either edge detector is triggered and its associated enable bit is set (CxINTP and/or CxINTN bits of the CMxCON1 register), the Corresponding Interrupt Flag bit (CxIF bit of the PIR2 register) will be set.

To enable the interrupt, you must set the following bits:

- CxON, CxPOL and CxSP bits of the CMxCON0 register
- CxIE bit of the PIE2 register
- CxINTP bit of the CMxCON1 register (for a rising edge detection)
- CxINTN bit of the CMxCON1 register (for a falling edge detection)
- PEIE and GIE bits of the INTCON register

The associated interrupt flag bit, CxIF bit of the PIR2 register, must be cleared in software. If another edge is detected while this flag is being cleared, the flag will still be set at the end of the sequence.

**Note:** Although a comparator is disabled, an interrupt can be generated by changing the output polarity with the CxPOL bit of the CMxCON0 register, or by switching the comparator on or off with the CxON bit of the CMxCON0 register.

## 17.6 Comparator Positive Input Selection

Configuring the CxPCH<1:0> bits of the CMxCON1 register directs an internal voltage reference or an analog pin to the non-inverting input of the comparator:

- CxIN+ analog pin
- DAC
- FVR (Fixed Voltage Reference)
- Vss (Ground)

See [Section 13.0 “Fixed Voltage Reference \(FVR\)”](#) for more information on the Fixed Voltage Reference module.

See [Section 16.0 “Digital-to-Analog Converter \(DAC\) Module”](#) for more information on the DAC input signal.

Any time the comparator is disabled (CxON = 0), all comparator inputs are disabled.

## 17.7 Comparator Negative Input Selection

The CxNCH<1:0> bits of the CMxCON0 register direct one of the input sources to the comparator inverting input.

**Note:** To use CxIN+ and CxINx- pins as analog input, the appropriate bits must be set in the ANSEL register and the corresponding TRIS bits must also be set to disable the output drivers.

## 17.8 Comparator Response Time

The comparator output is indeterminate for a period of time after the change of an input source or the selection of a new reference voltage. This period is referred to as the response time. The response time of the comparator differs from the settling time of the voltage reference. Therefore, both of these times must be considered when determining the total response time to a comparator input change. See the Comparator and Voltage Reference Specifications in [Section 27.0 “Electrical Specifications”](#) for more details.

## 17.9 Analog Input Connection Considerations

A simplified circuit for an analog input is shown in [Figure 17-3](#). Since the analog input pins share their connection with a digital input, they have reverse biased ESD protection diodes to V<sub>DD</sub> and V<sub>SS</sub>. The analog input, therefore, must be between V<sub>SS</sub> and V<sub>DD</sub>. If the input voltage deviates from this range by more than 0.6V in either direction, one of the diodes is forward biased and a latch-up may occur.

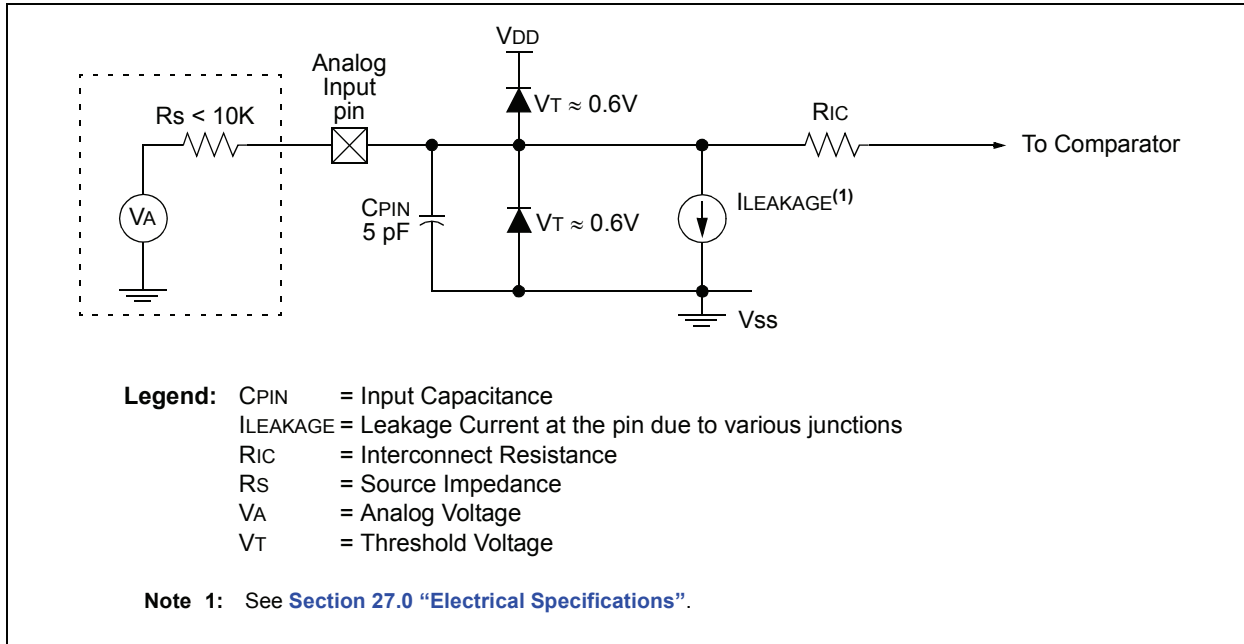
A maximum source impedance of 10 k $\Omega$  is recommended for the analog sources. Also, any external component connected to an analog input pin, such as a capacitor or a Zener diode, should have very little leakage current to minimize inaccuracies introduced.

**Note 1:** When reading a PORT register, all pins configured as analog inputs will read as a '0'. Pins configured as digital inputs will convert as an analog input, according to the input specification.

**2:** Analog levels on any pin defined as a digital input, may cause the input buffer to consume more current than is specified.

# PIC12(L)F1501

FIGURE 17-3: ANALOG INPUT MODEL





## REGISTER 17-1: CMxCON0: COMPARATOR Cx CONTROL REGISTER 0

|         |       |         |         |     |         |         |         |
|---------|-------|---------|---------|-----|---------|---------|---------|
| R/W-0/0 | R-0/0 | R/W-0/0 | R/W-0/0 | U-0 | R/W-1/1 | R/W-0/0 | R/W-0/0 |
| CxON    | CxOUT | CxOE    | CxPOL   | —   | CxSP    | CxHYS   | CxSYNC  |
| bit 7   |       |         |         |     |         |         | bit 0   |

### Legend:

|                      |                      |   |
|----------------------|----------------------|---|
| R = Readable bit     | W = Writable bit     | U = Unimplemented bit, read as '0'                    |
| u = Bit is unchanged | x = Bit is unknown   | -n/n = Value at POR and BOR/Value at all other Resets |
| '1' = Bit is set     | '0' = Bit is cleared |   |

- bit 7      **CxON:** Comparator Enable bit  
1 = Comparator is enabled and consumes no active power  
0 = Comparator is disabled
- bit 6      **CxOUT:** Comparator Output bit  
If CxPOL = 1 (inverted polarity):  
1 = CxVP < CxVN  
0 = CxVP > CxVN  
If CxPOL = 0 (non-inverted polarity):  
1 = CxVP > CxVN  
0 = CxVP < CxVN
- bit 5      **CxOE:** Comparator Output Enable bit  
1 = CxOUT is present on the CxOUT pin. Requires that the associated TRIS bit be cleared to actually drive the pin. Not affected by CxON.  
0 = CxOUT is internal only
- bit 4      **CxPOL:** Comparator Output Polarity Select bit  
1 = Comparator output is inverted  
0 = Comparator output is not inverted
- bit 3      **Unimplemented:** Read as '0'
- bit 2      **CxSP:** Comparator Speed/Power Select bit  
1 = Comparator operates in normal power, higher speed mode  
0 = Comparator operates in low-power, low-speed mode
- bit 1      **CxHYS:** Comparator Hysteresis Enable bit  
1 = Comparator hysteresis enabled  
0 = Comparator hysteresis disabled
- bit 0      **CxSYNC:** Comparator Output Synchronous Mode bit  
1 = Comparator output to Timer1 and I/O pin is synchronous to changes on Timer1 clock source. Output updated on the falling edge of Timer1 clock source.  
0 = Comparator output to Timer1 and I/O pin is asynchronous.

# PIC12(L)F1501

## REGISTER 17-2: CMxCON1: COMPARATOR Cx CONTROL REGISTER 1

|         |         |            |         |     |            |         |         |
|---------|---------|------------|---------|-----|------------|---------|---------|
| R/W-0/0 | R/W-0/0 | R/W-0/0    | R/W-0/0 | U-0 | R/W-0/0    | R/W-0/0 | R/W-0/0 |
| CxINTP  | CxINTN  | CxPCH<1:0> |         | —   | CxNCH<2:0> |         |         |
| bit 7   |         |            |         |     |            |         | bit 0   |

### Legend:

|                      |                      |   |
|----------------------|----------------------|---|
| R = Readable bit     | W = Writable bit     | U = Unimplemented bit, read as '0'                    |
| u = Bit is unchanged | x = Bit is unknown   | -n/n = Value at POR and BOR/Value at all other Resets |
| '1' = Bit is set     | '0' = Bit is cleared |   |

- bit 7      **CxINTP:** Comparator Interrupt on Positive Going Edge Enable bits  
 1 = The CxIF interrupt flag will be set upon a positive going edge of the CxOUT bit  
 0 = No interrupt flag will be set on a positive going edge of the CxOUT bit
- bit 6      **CxINTN:** Comparator Interrupt on Negative Going Edge Enable bits  
 1 = The CxIF interrupt flag will be set upon a negative going edge of the CxOUT bit  
 0 = No interrupt flag will be set on a negative going edge of the CxOUT bit
- bit 5-4    **CxPCH<1:0>:** Comparator Positive Input Channel Select bits  
 11 = CxVP connects to VSS  
 10 = CxVP connects to FVR Voltage Reference  
 01 = CxVP connects to DAC Voltage Reference  
 00 = CxVP connects to CxIN+ pin
- bit 3      **Unimplemented:** Read as '0'
- bit 2-0    **CxNCH<2:0>:** Comparator Negative Input Channel Select bits  
 111 = Reserved  
 110 = Reserved  
 101 = Reserved  
 100 = CxVN connects to FVR Voltage reference  
 011 = CxVN connects to C12IN3- pin  
 010 = CxVN connects to C12IN2- pin  
 001 = CxVN connects to C12IN1- pin  
 000 = CxVN connects to C12IN0- pin

## REGISTER 17-3: CMOUT: COMPARATOR OUTPUT REGISTER

|       |     |     |     |     |     |     |        |
|-------|-----|-----|-----|-----|-----|-----|--------|
| U-0   | U-0 | U-0 | U-0 | U-0 | U-0 | U-0 | R-0/0  |
| —     | —   | —   | —   | —   | —   | —   | MC1OUT |
| bit 7 |     |     |     |     |     |     | bit 0  |

### Legend:

|                      |                      |   |
|----------------------|----------------------|---|
| R = Readable bit     | W = Writable bit     | U = Unimplemented bit, read as '0'                    |
| u = Bit is unchanged | x = Bit is unknown   | -n/n = Value at POR and BOR/Value at all other Resets |
| '1' = Bit is set     | '0' = Bit is cleared |   |

- bit 7-1    **Unimplemented:** Read as '0'
- bit 0      **MC1OUT:** Mirror Copy of C1OUT bit

**TABLE 17-3: SUMMARY OF REGISTERS ASSOCIATED WITH COMPARATOR MODULE**

| Name    | Bit 7 | Bit 6  | Bit 5      | Bit 4     | Bit 3            | Bit 2      | Bit 1      | Bit 0  | Register on Page |
|---------|-------|--------|------------|-----------|------------------|------------|------------|--------|------------------|
| ANSELA  | —     | —      | —          | ANSA4     | —                | ANSA2      | ANSA1      | ANSA0  | 103              |
| CM1CON0 | C1ON  | C1OUT  | C1OE       | C1POL     | —                | C1SP       | C1HYS      | C1SYNC | 137              |
| CM1CON1 | C1NTP | C1INTN | C1PCH<1:0> |           | —                | C1NCH<2:0> |            |        | 138              |
| CMOUT   | —     | —      | —          | —         | —                | —          | —          | MC1OUT | 138              |
| DACCON0 | DACEN | —      | DACOE1     | DACOE2    | —                | DACPSS     | —          | —      | 130              |
| DACCON1 | —     | —      | —          | DACR<4:0> |                  |            |            |        | 130              |
| FVRCON  | FVREN | FVRRDY | TSEN       | TSRNG     | CDAFVR<1:0>      |            | ADFVR<1:0> |        | 110              |
| INTCON  | GIE   | PEIE   | TMR0IE     | INTE      | IOCIE            | TMR0IF     | INTF       | IOCIF  | 66               |
| PIE2    | —     | —      | C1IE       | —         | —                | NCO1IE     | —          | —      | 68               |
| PIR2    | —     | —      | C1IF       | —         | —                | NCO1IF     | —          | —      | 71               |
| PORTA   | —     | —      | RA5        | RA4       | RA3              | RA2        | RA1        | RA0    | 102              |
| LATA    | —     | —      | LATA5      | LATA4     | —                | LATA2      | LATA1      | LATA0  | 103              |
| TRISA   | —     | —      | TRISA5     | TRISA4    | — <sup>(1)</sup> | TRISA2     | TRISA1     | TRISA0 | 102              |

**Legend:** — = unimplemented location, read as '0'. Shaded cells are unused by the comparator module.

**Note 1:** Unimplemented, read as '1'.

# PIC12(L)F1501

---

NOTES:

## 18.0 TIMER0 MODULE

The Timer0 module is an 8-bit timer/counter with the following features:

- 8-bit timer/counter register (TMR0)
- 8-bit prescaler (independent of Watchdog Timer)
- Programmable internal or external clock source
- Programmable external clock edge selection
- Interrupt on overflow
- TMR0 can be used to gate Timer1

Figure 18-1 is a block diagram of the Timer0 module.

### 18.1 Timer0 Operation

The Timer0 module can be used as either an 8-bit timer or an 8-bit counter.

#### 18.1.1 8-BIT TIMER MODE

The Timer0 module will increment every instruction cycle, if used without a prescaler. 8-Bit Timer mode is selected by clearing the TMR0CS bit of the OPTION\_REG register.

When TMR0 is written, the increment is inhibited for two instruction cycles immediately following the write.

**Note:** The value written to the TMR0 register can be adjusted, in order to account for the two instruction cycle delay when TMR0 is written.

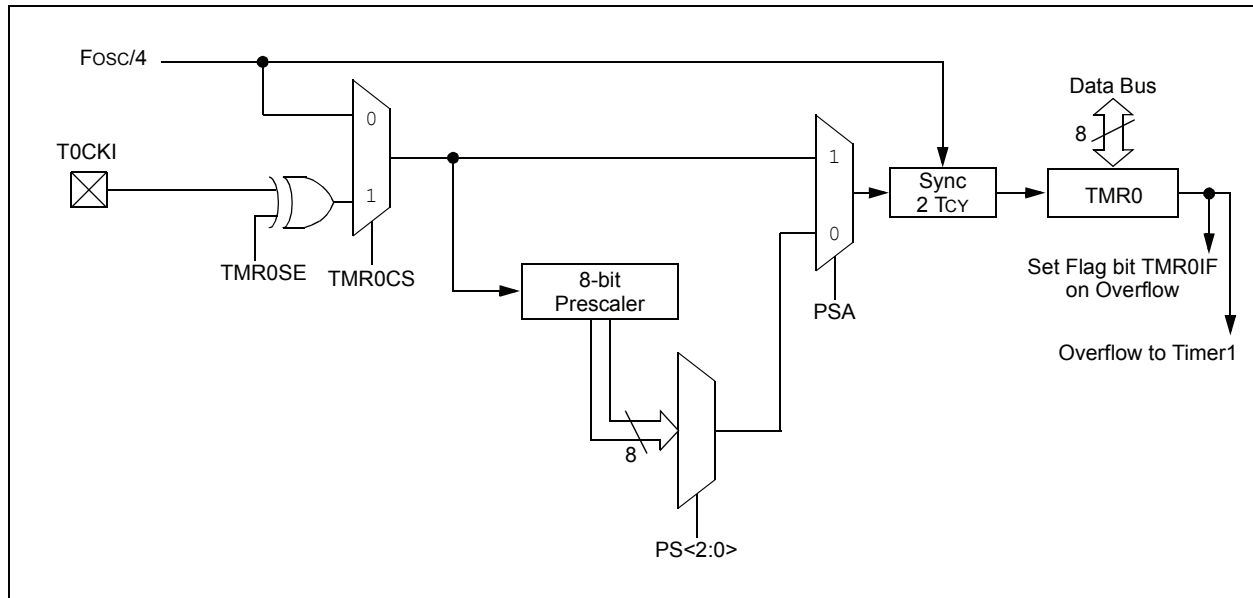
#### 18.1.2 8-BIT COUNTER MODE

In 8-Bit Counter mode, the Timer0 module will increment on every rising or falling edge of the T0CKI pin.

8-Bit Counter mode using the T0CKI pin is selected by setting the TMR0CS bit in the OPTION\_REG register to '1'.

The rising or falling transition of the incrementing edge for either input source is determined by the TMR0SE bit in the OPTION\_REG register.

**FIGURE 18-1: BLOCK DIAGRAM OF THE TIMER0**



# PIC12(L)F1501

---

## 18.1.3 SOFTWARE PROGRAMMABLE PRESCALER

A software programmable prescaler is available for exclusive use with Timer0. The prescaler is enabled by clearing the PSA bit of the OPTION\_REG register.

**Note:** The Watchdog Timer (WDT) uses its own independent prescaler.

There are 8 prescaler options for the Timer0 module ranging from 1:2 to 1:256. The prescale values are selectable via the PS<2:0> bits of the OPTION\_REG register. In order to have a 1:1 prescaler value for the Timer0 module, the prescaler must be disabled by setting the PSA bit of the OPTION\_REG register.

The prescaler is not readable or writable. All instructions writing to the TMR0 register will clear the prescaler.

## 18.1.4 TIMER0 INTERRUPT

Timer0 will generate an interrupt when the TMR0 register overflows from FFh to 00h. The TMR0IF interrupt flag bit of the INTCON register is set every time the TMR0 register overflows, regardless of whether or not the Timer0 interrupt is enabled. The TMR0IF bit can only be cleared in software. The Timer0 interrupt enable is the TMR0IE bit of the INTCON register.

**Note:** The Timer0 interrupt cannot wake the processor from Sleep since the timer is frozen during Sleep.

## 18.1.5 8-BIT COUNTER MODE SYNCHRONIZATION

When in 8-Bit Counter mode, the incrementing edge on the T0CKI pin must be synchronized to the instruction clock. Synchronization can be accomplished by sampling the prescaler output on the Q2 and Q4 cycles of the instruction clock. The high and low periods of the external clocking source must meet the timing requirements as shown in [Section 27.0 “Electrical Specifications”](#).

## 18.1.6 OPERATION DURING SLEEP

Timer0 cannot operate while the processor is in Sleep mode. The contents of the TMR0 register will remain unchanged while the processor is in Sleep mode.

## 18.2 Option and Timer0 Control Register

**REGISTER 18-1: OPTION\_REG: OPTION REGISTER**

|         |         |         |         |         |         |         |         |
|---------|---------|---------|---------|---------|---------|---------|---------|
| R/W-1/1 | R/W-1/1 | R/W-1/1 | R/W-1/1 | R/W-1/1 | R/W-1/1 | R/W-1/1 | R/W-1/1 |
| WPUEN   | INTEDG  | TMR0CS  | TMR0SE  | PSA     | PS<2:0> |         |         |
| bit 7   |         |         |         |         |         |         | bit 0   |

**Legend:**

|                      |                      |   |
|----------------------|----------------------|---|
| R = Readable bit     | W = Writable bit     | U = Unimplemented bit, read as '0'                    |
| u = Bit is unchanged | x = Bit is unknown   | -n/n = Value at POR and BOR/Value at all other Resets |
| '1' = Bit is set     | '0' = Bit is cleared |   |

- bit 7 **WPUEN:** Weak Pull-Up Enable bit  
 1 = All weak pull-ups are disabled (except MCLR, if it is enabled)  
 0 = Weak pull-ups are enabled by individual WPUx latch values
- bit 6 **INTEDG:** Interrupt Edge Select bit  
 1 = Interrupt on rising edge of INT pin  
 0 = Interrupt on falling edge of INT pin
- bit 5 **TMR0CS:** Timer0 Clock Source Select bit  
 1 = Transition on T0CKI pin  
 0 = Internal instruction cycle clock (FOSC/4)
- bit 4 **TMR0SE:** Timer0 Source Edge Select bit  
 1 = Increment on high-to-low transition on T0CKI pin  
 0 = Increment on low-to-high transition on T0CKI pin
- bit 3 **PSA:** Prescaler Assignment bit  
 1 = Prescaler is not assigned to the Timer0 module  
 0 = Prescaler is assigned to the Timer0 module
- bit 2-0 **PS<2:0>:** Prescaler Rate Select bits

| Bit Value | Timer0 Rate |
|-----------|-------------|
| 000       | 1 : 2       |
| 001       | 1 : 4       |
| 010       | 1 : 8       |
| 011       | 1 : 16      |
| 100       | 1 : 32      |
| 101       | 1 : 64      |
| 110       | 1 : 128     |
| 111       | 1 : 256     |

**TABLE 18-1: SUMMARY OF REGISTERS ASSOCIATED WITH TIMER0**

| Name       | Bit 7                                       | Bit 6  | Bit 5  | Bit 4  | Bit 3            | Bit 2   | Bit 1  | Bit 0  | Register on Page |
|------------|---|--------|--------|--------|------------------|---------|--------|--------|------------------|
| ADCON2     | TRIGSEL<3:0>                                |        |        |        | —                | —       | —      | —      | 121              |
| INTCON     | GIE   | PEIE   | TMR0IE | INTE   | IOCIE            | TMR0IF  | INTF   | IOCIF  | 66               |
| OPTION_REG | WPUEN                                       | INTEDG | TMR0CS | TMR0SE | PSA              | PS<2:0> |        |        | 143              |
| TMR0       | Holding Register for the 8-bit Timer0 Count |        |        |        |                  |         |        |        | 141*             |
| TRISA      | —   | —      | TRISA5 | TRISA4 | — <sup>(1)</sup> | TRISA2  | TRISA1 | TRISA0 | 102              |

**Legend:** — = Unimplemented location, read as '0'. Shaded cells are not used by the Timer0 module.

\* Page provides register information.

**Note 1:** Unimplemented, read as '1'.

# PIC12(L)F1501

---

NOTES:



## 19.0 TIMER1 MODULE WITH GATE CONTROL

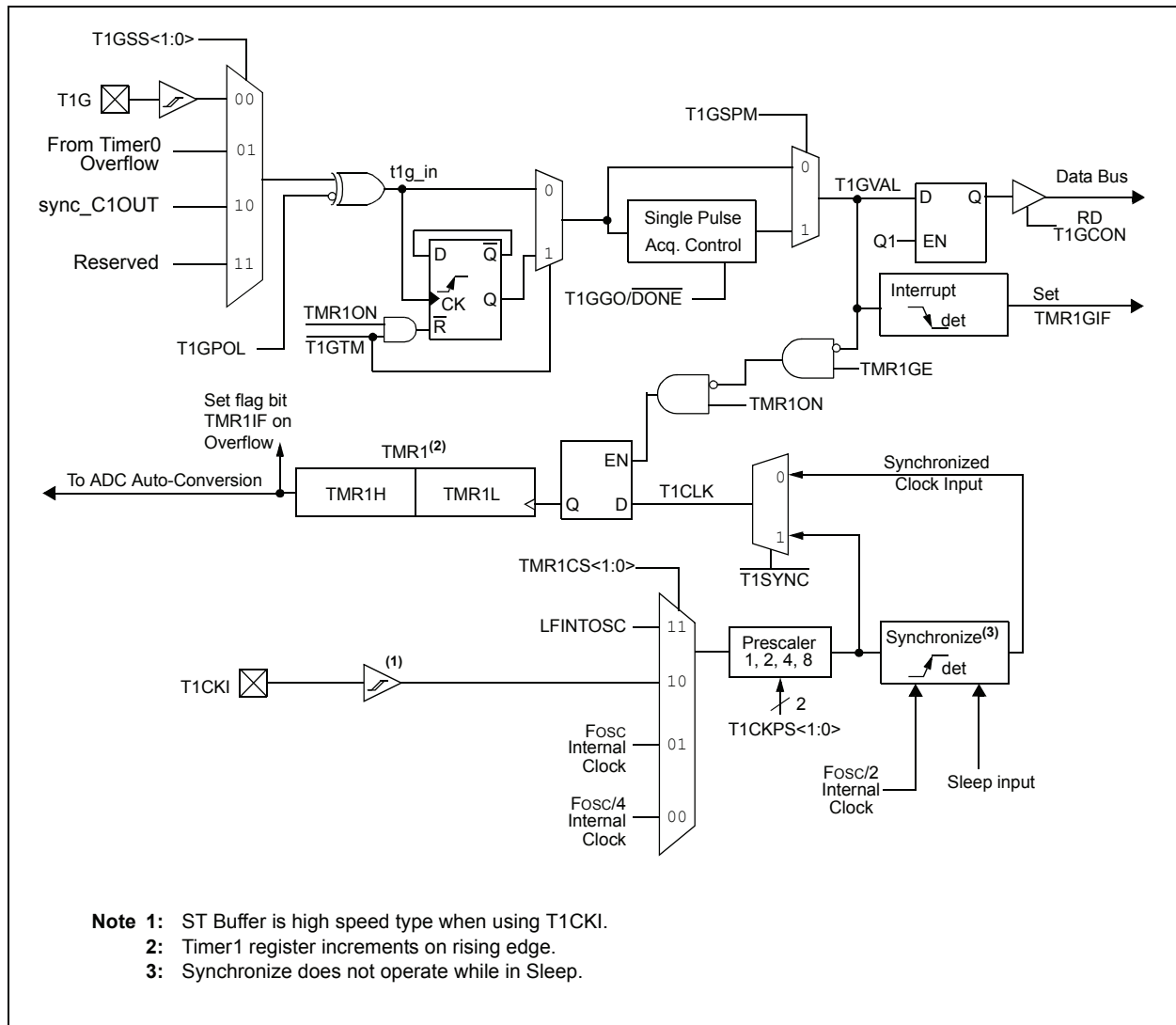
The Timer1 module is a 16-bit timer/counter with the following features:

- 16-bit timer/counter register pair (TMR1H:TMR1L)
- Programmable internal or external clock source
- 2-bit prescaler
- Optionally synchronized comparator out
- Multiple Timer1 gate (count enable) sources
- Interrupt on overflow
- Wake-up on overflow (external clock, Asynchronous mode only)
- Special Event Trigger
- Selectable Gate Source Polarity
- Gate Toggle mode

- Gate Single-Pulse mode
- Gate Value Status
- Gate Event Interrupt

Figure 19-1 is a block diagram of the Timer1 module.

**FIGURE 19-1: TIMER1 BLOCK DIAGRAM**



# PIC12(L)F1501

## 19.1 Timer1 Operation

The Timer1 module is a 16-bit incrementing counter which is accessed through the TMR1H:TMR1L register pair. Writes to TMR1H or TMR1L directly update the counter.

When used with an internal clock source, the module is a timer and increments on every instruction cycle. When used with an external clock source, the module can be used as either a timer or counter and increments on every selected edge of the external source.

Timer1 is enabled by configuring the TMR1ON and TMR1GE bits in the T1CON and T1GCON registers, respectively. Table 19-1 displays the Timer1 enable selections.

**TABLE 19-1: TIMER1 ENABLE SELECTIONS**

| TMR1ON | TMR1GE | Timer1 Operation |
|--------|--------|------------------|
| 0      | 0      | Off              |
| 0      | 1      | Off              |
| 1      | 0      | Always On        |
| 1      | 1      | Count Enabled    |

## 19.2 Clock Source Selection

The TMR1CS<1:0> bits of the T1CON register are used to select the clock source for Timer1. Table 19-2 displays the clock source selections.

### 19.2.1 INTERNAL CLOCK SOURCE

When the internal clock source is selected the TMR1H:TMR1L register pair will increment on multiples of FOSC as determined by the Timer1 prescaler.

When the Fosc internal clock source is selected, the Timer1 register value will increment by four counts every instruction clock cycle. Due to this condition, a 2 LSB error in resolution will occur when reading the Timer1 value. To utilize the full resolution of Timer1, an asynchronous input signal must be used to gate the Timer1 clock input.

The following asynchronous sources may be used:

- Asynchronous event on the T1G pin to Timer1 gate

### 19.2.2 EXTERNAL CLOCK SOURCE

When the external clock source is selected, the Timer1 module may work as a timer or a counter.

When enabled to count, Timer1 is incremented on the rising edge of the external clock input T1CKI. The external clock source can be synchronized to the microcontroller system clock or it can run asynchronously.

**Note:** In Counter mode, a falling edge must be registered by the counter prior to the first incrementing rising edge after any one or more of the following conditions:

- Timer1 enabled after POR
- Write to TMR1H or TMR1L
- Timer1 is disabled
- Timer1 is disabled (TMR1ON = 0) when T1CKI is high then Timer1 is enabled (TMR1ON=1) when T1CKI is low.

**TABLE 19-2: CLOCK SOURCE SELECTIONS**

| TMR1CS<1:0> | T1OSCEN | Clock Source                   |
|-------------|---------|--------------------------------|
| 11          | x       | LFINTOSC                       |
| 10          | 0       | External Clocking on T1CKI Pin |
| 01          | x       | System Clock (Fosc)            |
| 00          | x       | Instruction Clock (Fosc/4)     |

## 19.3 Timer1 Prescaler

Timer1 has four prescaler options allowing 1, 2, 4 or 8 divisions of the clock input. The T1CKPS bits of the T1CON register control the prescale counter. The prescale counter is not directly readable or writable; however, the prescaler counter is cleared upon a write to TMR1H or TMR1L.

## 19.4 Timer1 Operation in Asynchronous Counter Mode

If control bit  $\overline{\text{T1SYNC}}$  of the T1CON register is set, the external clock input is not synchronized. The timer increments asynchronously to the internal phase clocks. If the external clock source is selected then the timer will continue to run during Sleep and can generate an interrupt on overflow, which will wake-up the processor. However, special precautions in software are needed to read/write the timer (see [Section 19.4.1 “Reading and Writing Timer1 in Asynchronous Counter Mode”](#)).

**Note:** When switching from synchronous to asynchronous operation, it is possible to skip an increment. When switching from asynchronous to synchronous operation, it is possible to produce an additional increment.

### 19.4.1 READING AND WRITING TIMER1 IN ASYNCHRONOUS COUNTER MODE

Reading TMR1H or TMR1L while the timer is running from an external asynchronous clock will ensure a valid read (taken care of in hardware). However, the user should keep in mind that reading the 16-bit timer in two 8-bit values itself, poses certain problems, since the timer may overflow between the reads.

For writes, it is recommended that the user simply stop the timer and write the desired values. A write contention may occur by writing to the timer registers, while the register is incrementing. This may produce an unpredictable value in the TMR1H:TMR1L register pair.

## 19.5 Timer1 Gate

Timer1 can be configured to count freely or the count can be enabled and disabled using Timer1 gate circuitry. This is also referred to as Timer1 Gate Enable.

Timer1 gate can also be driven by multiple selectable sources.

### 19.5.1 TIMER1 GATE ENABLE

The Timer1 Gate Enable mode is enabled by setting the TMR1GE bit of the T1GCON register. The polarity of the Timer1 Gate Enable mode is configured using the T1GPOL bit of the T1GCON register.

When Timer1 Gate Enable mode is enabled, Timer1 will increment on the rising edge of the Timer1 clock source. When Timer1 Gate Enable mode is disabled, no incrementing will occur and Timer1 will hold the current count. See [Figure 19-3](#) for timing details.

**TABLE 19-3: TIMER1 GATE ENABLE SELECTIONS**

| T1CLK | T1GPOL | T1G | Timer1 Operation |
|-------|--------|-----|------------------|
| ↑     | 0      | 0   | Counts           |
| ↑     | 0      | 1   | Holds Count      |
| ↑     | 1      | 0   | Holds Count      |
| ↑     | 1      | 1   | Counts           |

### 19.5.2 TIMER1 GATE SOURCE SELECTION

Timer1 gate source selections are shown in [Table 19-4](#). Source selection is controlled by the T1GSS<1:0> bits of the T1GCON register. The polarity for each available source is also selectable. Polarity selection is controlled by the T1GPOL bit of the T1GCON register.

**TABLE 19-4: TIMER1 GATE SOURCES**

| T1GSS | Timer1 Gate Source   |
|-------|--|
| 00    | Timer1 Gate Pin  |
| 01    | Overflow of Timer0 (TMR0 increments from FFh to 00h)                       |
| 10    | Comparator 1 Output sync_C1OUT (optionally synchronized comparator output) |
| 11    | Reserved   |

# PIC12(L)F1501

---

## 19.5.2.1 T1G Pin Gate Operation

The T1G pin is one source for Timer1 Gate Control. It can be used to supply an external source to the Timer1 gate circuitry.

## 19.5.2.2 Timer0 Overflow Gate Operation

When Timer0 increments from FFh to 00h, a low-to-high pulse will automatically be generated and internally supplied to the Timer1 gate circuitry.

## 19.5.3 TIMER1 GATE TOGGLE MODE

When Timer1 Gate Toggle mode is enabled, it is possible to measure the full-cycle length of a Timer1 gate signal, as opposed to the duration of a single level pulse.

The Timer1 gate source is routed through a flip-flop that changes state on every incrementing edge of the signal. See [Figure 19-4](#) for timing details.

Timer1 Gate Toggle mode is enabled by setting the T1GTM bit of the T1GCON register. When the T1GTM bit is cleared, the flip-flop is cleared and held clear. This is necessary in order to control which edge is measured.

|   |
|---|
| <b>Note:</b> Enabling Toggle mode at the same time as changing the gate polarity may result in indeterminate operation. |
|---|

## 19.5.4 TIMER1 GATE SINGLE-PULSE MODE

When Timer1 Gate Single-Pulse mode is enabled, it is possible to capture a single pulse gate event. Timer1 Gate Single-Pulse mode is first enabled by setting the T1GSPM bit in the T1GCON register. Next, the T1GGO/DONE bit in the T1GCON register must be set. The Timer1 will be fully enabled on the next incrementing edge. On the next trailing edge of the pulse, the T1GGO/DONE bit will automatically be cleared. No other gate events will be allowed to increment Timer1 until the T1GGO/DONE bit is once again set in software. See [Figure 19-5](#) for timing details.

If the Single Pulse Gate mode is disabled by clearing the T1GSPM bit in the T1GCON register, the T1GGO/DONE bit should also be cleared.

Enabling the Toggle mode and the Single-Pulse mode simultaneously will permit both sections to work together. This allows the cycle times on the Timer1 gate source to be measured. See [Figure 19-6](#) for timing details.

## 19.5.5 TIMER1 GATE VALUE STATUS

When Timer1 Gate Value Status is utilized, it is possible to read the most current level of the gate control value. The value is stored in the T1GVAL bit in the T1GCON register. The T1GVAL bit is valid even when the Timer1 gate is not enabled (TMR1GE bit is cleared).

## 19.5.6 TIMER1 GATE EVENT INTERRUPT

When Timer1 Gate Event Interrupt is enabled, it is possible to generate an interrupt upon the completion of a gate event. When the falling edge of T1GVAL occurs, the TMR1GIF flag bit in the PIR1 register will be set. If the TMR1GIE bit in the PIE1 register is set, then an interrupt will be recognized.

The TMR1GIF flag bit operates even when the Timer1 gate is not enabled (TMR1GE bit is cleared).

## 19.6 Timer1 Interrupt

The Timer1 register pair (TMR1H:TMR1L) increments to FFFFh and rolls over to 0000h. When Timer1 rolls over, the Timer1 interrupt flag bit of the PIR1 register is set. To enable the interrupt on rollover, you must set these bits:

- TMR1ON bit of the T1CON register
- TMR1IE bit of the PIE1 register
- PEIE bit of the INTCON register
- GIE bit of the INTCON register

The interrupt is cleared by clearing the TMR1IF bit in the Interrupt Service Routine.

**Note:** The TMR1H:TMR1L register pair and the TMR1IF bit should be cleared before enabling interrupts.

## 19.7 Timer1 Operation During Sleep

Timer1 can only operate during Sleep when setup in Asynchronous Counter mode. In this mode, an external crystal or clock source can be used to increment the counter. To set up the timer to wake the device:

- TMR1ON bit of the T1CON register must be set
- TMR1IE bit of the PIE1 register must be set
- PEIE bit of the INTCON register must be set
- T1SYNC bit of the T1CON register must be set
- TMR1CS bits of the T1CON register must be configured

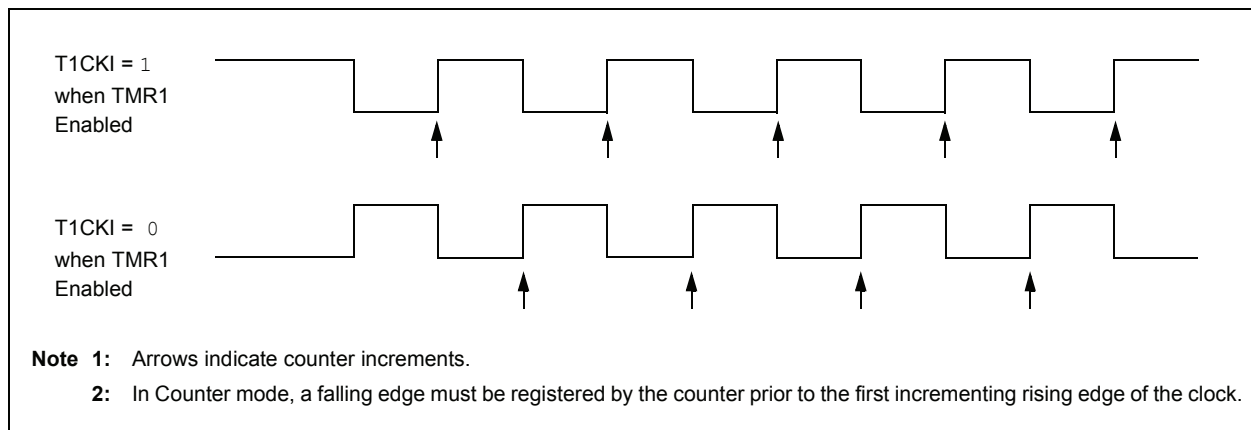
The device will wake-up on an overflow and execute the next instructions. If the GIE bit of the INTCON register is set, the device will call the Interrupt Service Routine.

Timer1 oscillator will continue to operate in Sleep regardless of the T1SYNC bit setting.

### 19.7.1 ALTERNATE PIN LOCATIONS

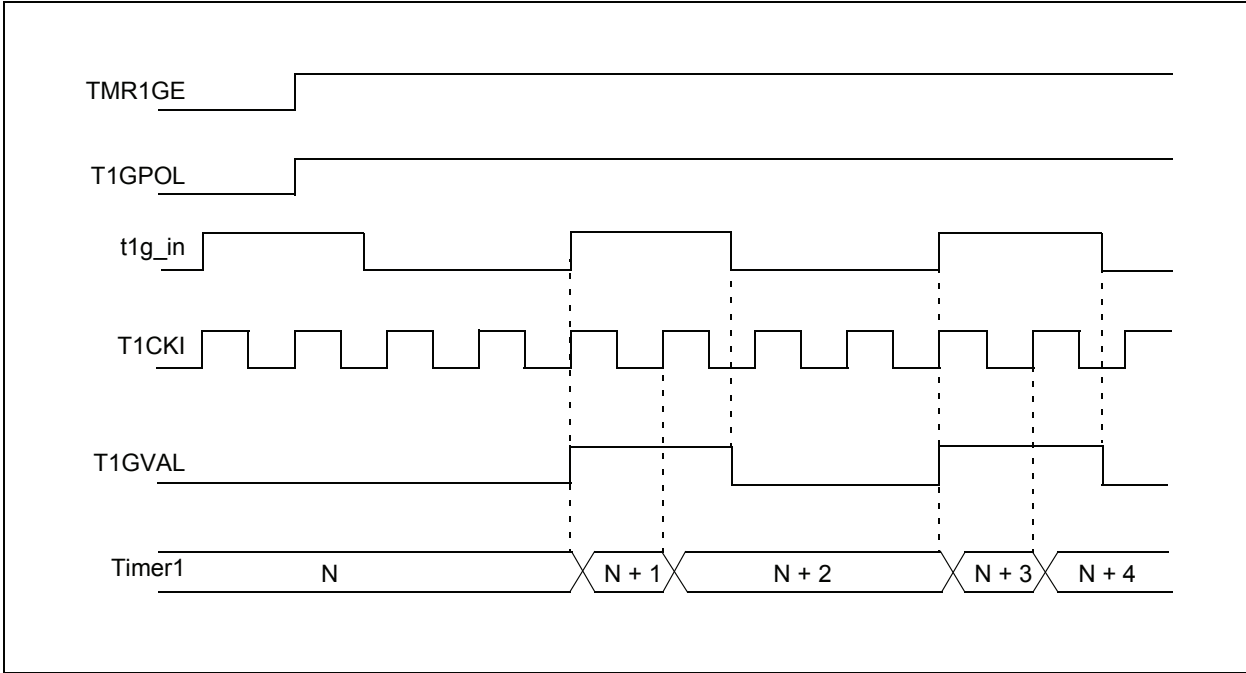
This module incorporates I/O pins that can be moved to other locations with the use of the alternate pin function register, APFCON. To determine which pins can be moved and what their default locations are upon a Reset, see [Section 11.1 “Alternate Pin Function”](#) for more information.

**FIGURE 19-2: TIMER1 INCREMENTING EDGE**

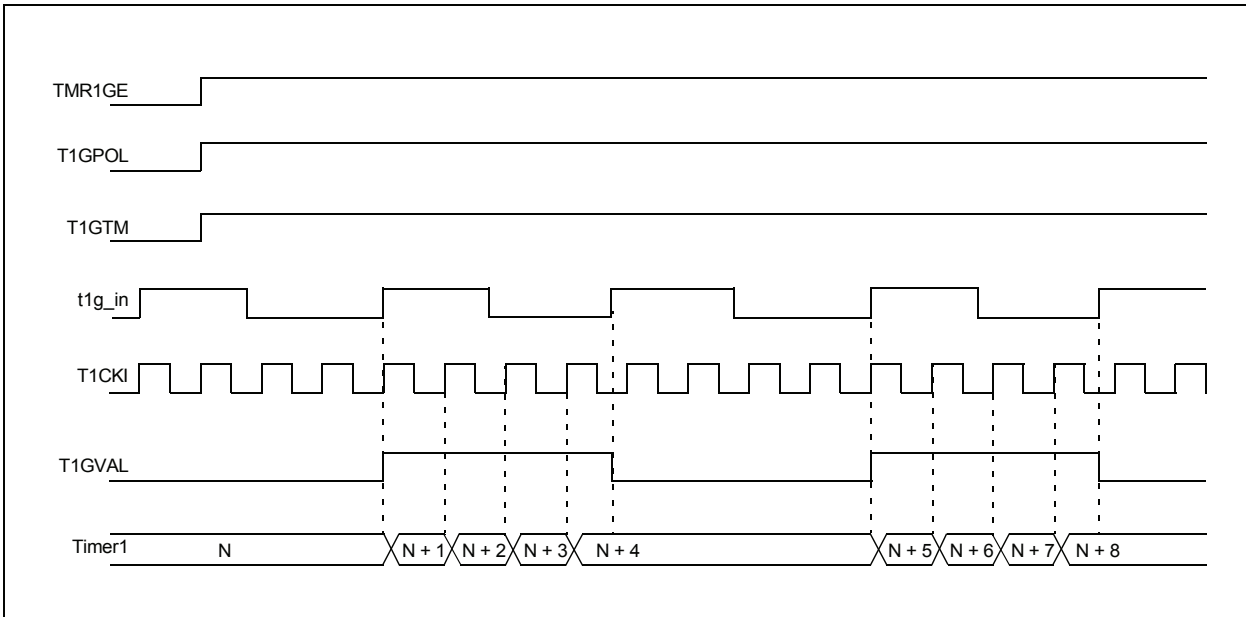


# PIC12(L)F1501

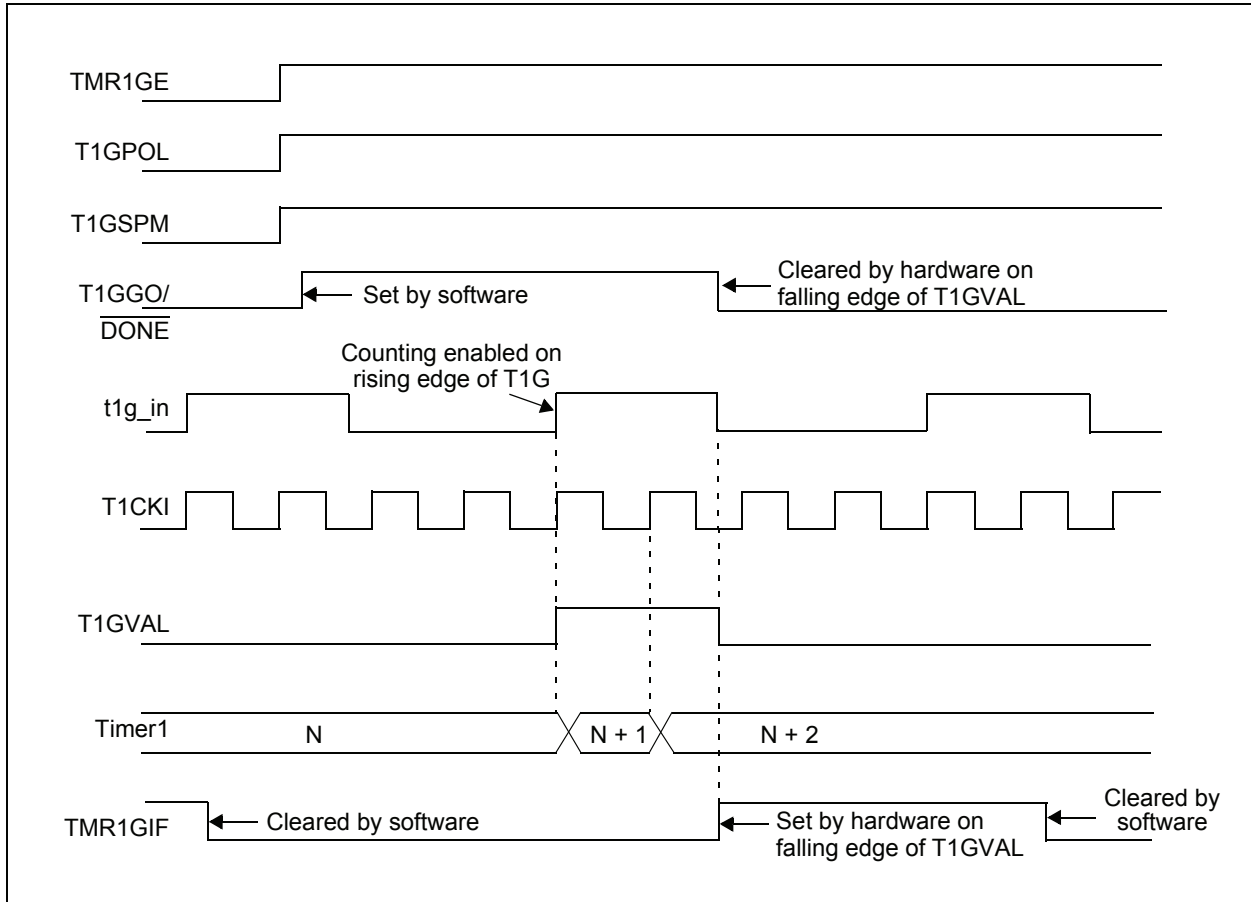
**FIGURE 19-3: TIMER1 GATE ENABLE MODE**



**FIGURE 19-4: TIMER1 GATE TOGGLE MODE**

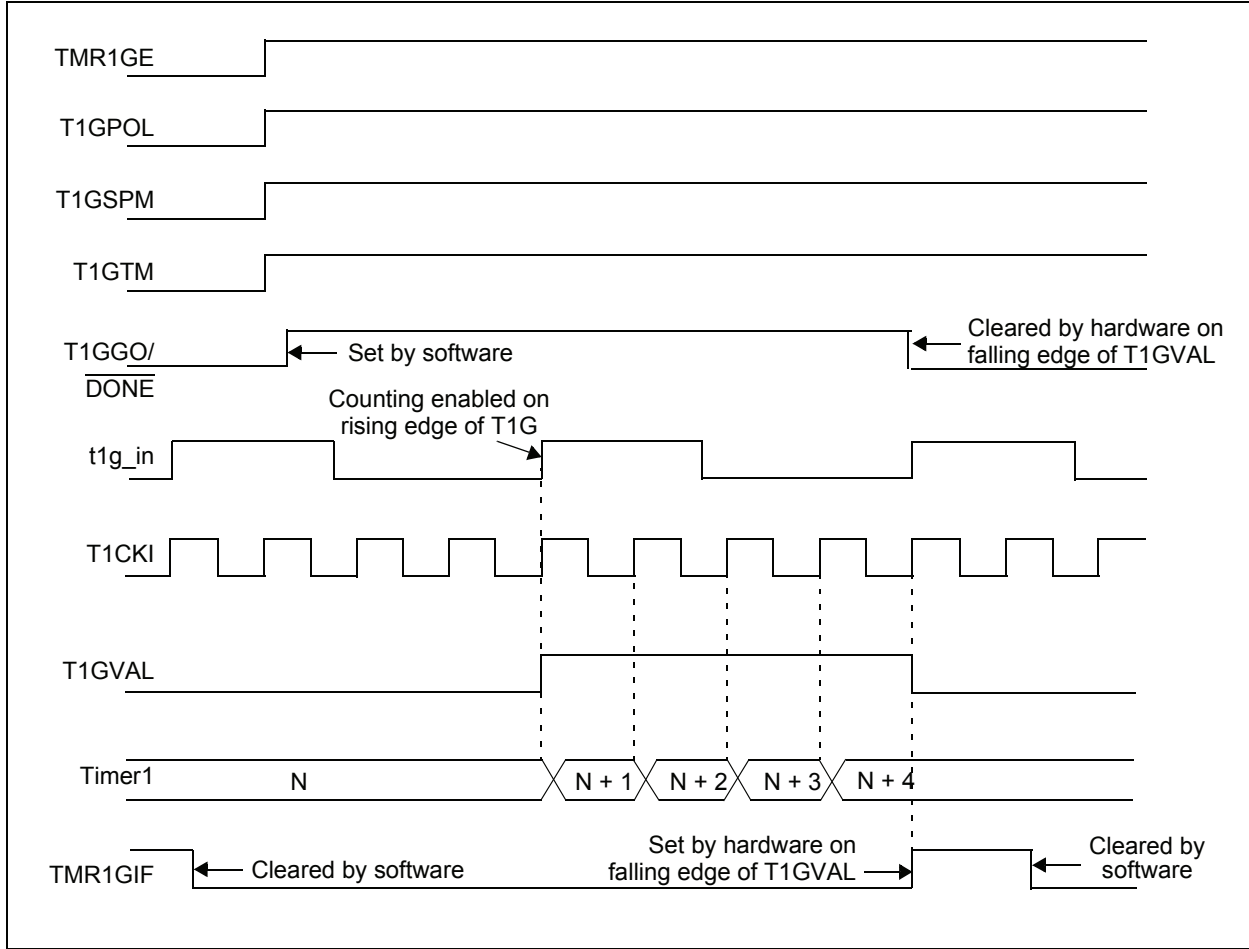


**FIGURE 19-5: TIMER1 GATE SINGLE-PULSE MODE**



# PIC12(L)F1501

FIGURE 19-6: TIMER1 GATE SINGLE-PULSE AND TOGGLE COMBINED MODE





## 19.8 Timer1 Control Registers

**REGISTER 19-1: T1CON: TIMER1 CONTROL REGISTER**

|             |         |             |         |     |         |     |         |
|-------------|---------|-------------|---------|-----|---------|-----|---------|
| R/W-0/u     | R/W-0/u | R/W-0/u     | R/W-0/u | U-0 | R/W-0/u | U-0 | R/W-0/u |
| TMR1CS<1:0> |         | T1CKPS<1:0> |         | —   | T1SYNC  | —   | TMR1ON  |
| bit 7       |         |             |         |     |         |     | bit 0   |

**Legend:**

|                      |                      |   |
|----------------------|----------------------|---|
| R = Readable bit     | W = Writable bit     | U = Unimplemented bit, read as '0'                    |
| u = Bit is unchanged | x = Bit is unknown   | -n/n = Value at POR and BOR/Value at all other Resets |
| '1' = Bit is set     | '0' = Bit is cleared |   |

- bit 7-6      **TMR1CS<1:0>**: Timer1 Clock Source Select bits  
 11 = Timer1 clock source is LFINTOSC  
 10 = Timer1 clock source is T1CKI pin (on rising edge)  
 01 = Timer1 clock source is system clock (Fosc)  
 00 = Timer1 clock source is instruction clock (Fosc/4)
- bit 5-4      **T1CKPS<1:0>**: Timer1 Input Clock Prescale Select bits  
 11 = 1:8 Prescale value  
 10 = 1:4 Prescale value  
 01 = 1:2 Prescale value  
 00 = 1:1 Prescale value
- bit 3      **Unimplemented**: Read as '0'
- bit 2      **T1SYNC**: Timer1 Synchronization Control bit  
 1 = Do not synchronize asynchronous clock input  
 0 = Synchronize asynchronous clock input with system clock (Fosc)
- bit 1      **Unimplemented**: Read as '0'
- bit 0      **TMR1ON**: Timer1 On bit  
 1 = Enables Timer1  
 0 = Stops Timer1 and clears Timer1 gate flip-flop

# PIC12(L)F1501

## REGISTER 19-2: T1GCON: TIMER1 GATE CONTROL REGISTER

|         |         |         |         |                |        |            |         |
|---------|---------|---------|---------|----------------|--------|------------|---------|
| R/W-0/u | R/W-0/u | R/W-0/u | R/W-0/u | R/W/HC-0/u     | R-x/x  | R/W-0/u    | R/W-0/u |
| TMR1GE  | T1GPOL  | T1GTM   | T1GSPM  | T1GGO/<br>DONE | T1GVAL | T1GSS<1:0> |         |
| bit 7   |         |         |         |                |        |            | bit 0   |

### Legend:

|                      |                      |   |
|----------------------|----------------------|---|
| R = Readable bit     | W = Writable bit     | U = Unimplemented bit, read as '0'                    |
| u = Bit is unchanged | x = Bit is unknown   | -n/n = Value at POR and BOR/Value at all other Resets |
| '1' = Bit is set     | '0' = Bit is cleared | HC = Bit is cleared by hardware                       |

- bit 7      **TMR1GE:** Timer1 Gate Enable bit  
If TMR1ON = 0:  
This bit is ignored  
If TMR1ON = 1:  
1 = Timer1 counting is controlled by the Timer1 gate function  
0 = Timer1 counts regardless of Timer1 gate function
- bit 6      **T1GPOL:** Timer1 Gate Polarity bit  
1 = Timer1 gate is active-high (Timer1 counts when gate is high)  
0 = Timer1 gate is active-low (Timer1 counts when gate is low)
- bit 5      **T1GTM:** Timer1 Gate Toggle Mode bit  
1 = Timer1 Gate Toggle mode is enabled  
0 = Timer1 Gate Toggle mode is disabled and toggle flip-flop is cleared  
Timer1 gate flip-flop toggles on every rising edge.
- bit 4      **T1GSPM:** Timer1 Gate Single-Pulse Mode bit  
1 = Timer1 Gate Single-Pulse mode is enabled and is controlling Timer1 gate  
0 = Timer1 Gate Single-Pulse mode is disabled
- bit 3      **T1GGO/DONE:** Timer1 Gate Single-Pulse Acquisition Status bit  
1 = Timer1 gate single-pulse acquisition is ready, waiting for an edge  
0 = Timer1 gate single-pulse acquisition has completed or has not been started
- bit 2      **T1GVAL:** Timer1 Gate Current State bit  
Indicates the current state of the Timer1 gate that could be provided to TMR1H:TMR1L.  
Unaffected by Timer1 Gate Enable (TMR1GE).
- bit 0      **T1GSS<1:0>:** Timer1 Gate Source Select bits  
11 = Reserved  
10 = Comparator 1 optionally synchronized output (sync\_C1OUT)  
01 = Timer0 overflow output  
00 = Timer1 gate pin

## 19.8.1 ALTERNATE PIN LOCATIONS

This module incorporates I/O pins that can be moved to other locations with the use of the alternate pin function register, APFCON. To determine which pins can be moved and what their default locations are upon a Reset, see [Section 11.1 “Alternate Pin Function”](#) for more information.

**TABLE 19-5: SUMMARY OF REGISTERS ASSOCIATED WITH TIMER1**

| Name   | Bit 7  | Bit 6    | Bit 5       | Bit 4  | Bit 3            | Bit 2               | Bit 1      | Bit 0   | Register on Page |
|--------|--|----------|-------------|--------|------------------|---------------------|------------|---------|------------------|
| ANSELA | —  | —        | —           | ANSA4  | —                | ANSA2               | ANSA1      | ANSA0   | 103              |
| APFCON | CWG1BSEL   | CWG1ASEL | —           | —      | T1GSEL           | —                   | CLC1SEL    | NCO1SEL | 100              |
| INTCON | GIE  | PEIE     | TMR0IE      | INTE   | IOCIE            | TMR0IF              | INTF       | IOCIF   | 66               |
| PIE1   | TMR1GIE  | ADIE     | —           | —      | —                | —                   | TMR2IE     | TMR1IE  | 67               |
| PIR1   | TMR1GIF  | ADIF     | —           | —      | —                | —                   | TMR2IF     | TMR1IF  | 70               |
| TMR1H  | Holding Register for the Most Significant Byte of the 16-bit TMR1 Count  |          |             |        |                  |                     |            |         | 149*             |
| TMR1L  | Holding Register for the Least Significant Byte of the 16-bit TMR1 Count |          |             |        |                  |                     |            |         | 149*             |
| TRISA  | —  | —        | TRISA5      | TRISA4 | — <sup>(1)</sup> | TRISA2              | TRISA1     | TRISA0  | 102              |
| T1CON  | TMR1CS<1:0>  |          | T1CKPS<1:0> |        | —                | $\overline{T1SYNC}$ | —          | TMR1ON  | 153              |
| T1GCON | TMR1GE   | T1GPOL   | T1GTM       | T1GSPM | T1GGO/<br>DONE   | T1GVAL              | T1GSS<1:0> |         | 154              |

**Legend:** — = unimplemented location, read as '0'. Shaded cells are not used by the Timer1 module.

\* Page provides register information.

**Note 1:** Unimplemented, read as '1'.

# PIC12(L)F1501

---

NOTES:

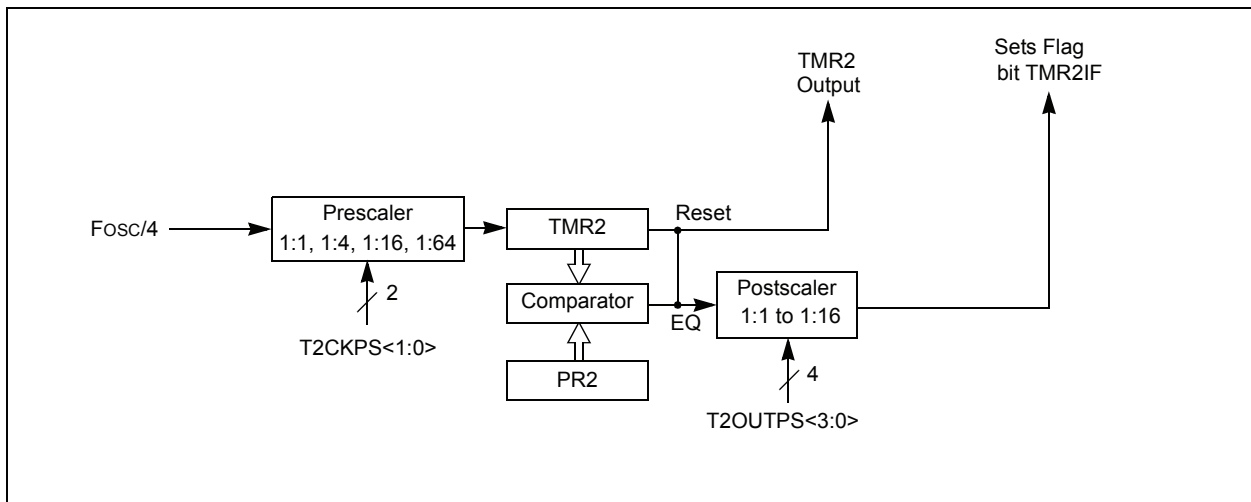
## 20.0 TIMER2 MODULE

The Timer2 module incorporates the following features:

- 8-bit Timer and Period registers (TMR2 and PR2, respectively)
- Readable and writable (both registers)
- Software programmable prescaler (1:1, 1:4, 1:16, and 1:64)
- Software programmable postscaler (1:1 to 1:16)
- Interrupt on TMR2 match with PR2, respectively

See [Figure 20-1](#) for a block diagram of Timer2.

**FIGURE 20-1: TIMER2 BLOCK DIAGRAM**



# PIC12(L)F1501

---

## 20.1 Timer2 Operation

The clock input to the Timer2 module is the system instruction clock ( $F_{osc}/4$ ).

TMR2 increments from 00h on each clock edge.

A 4-bit counter/prescaler on the clock input allows direct input, divide-by-4 and divide-by-16 prescale options. These options are selected by the prescaler control bits, T2CKPS<1:0> of the T2CON register. The value of TMR2 is compared to that of the Period register, PR2, on each clock cycle. When the two values match, the comparator generates a match signal as the timer output. This signal also resets the value of TMR2 to 00h on the next cycle and drives the output counter/postscaler (see [Section 20.2 “Timer2 Interrupt”](#)).

The TMR2 and PR2 registers are both directly readable and writable. The TMR2 register is cleared on any device Reset, whereas the PR2 register initializes to FFh. Both the prescaler and postscaler counters are cleared on the following events:

- a write to the TMR2 register
- a write to the T2CON register
- Power-on Reset (POR)
- Brown-out Reset (BOR)
- MCLR Reset
- Watchdog Timer (WDT) Reset
- Stack Overflow Reset
- Stack Underflow Reset
- RESET Instruction

|   |
|---|
| <b>Note:</b> TMR2 is not cleared when T2CON is written. |
|---|

## 20.2 Timer2 Interrupt

Timer2 can also generate an optional device interrupt. The Timer2 output signal (TMR2-to-PR2 match) provides the input for the 4-bit counter/postscaler. This counter generates the TMR2 match interrupt flag which is latched in TMR2IF of the PIR1 register. The interrupt is enabled by setting the TMR2 Match Interrupt Enable bit, TMR2IE of the PIE1 register.

A range of 16 postscale options (from 1:1 through 1:16 inclusive) can be selected with the postscaler control bits, T2OUTPS<3:0>, of the T2CON register.

## 20.3 Timer2 Output

The unscaled output of TMR2 is available primarily to the PWMx module, where it is used as a time base for operation.

## 20.4 Timer2 Operation During Sleep

Timer2 cannot be operated while the processor is in Sleep mode. The contents of the TMR2 and PR2 registers will remain unchanged while the processor is in Sleep mode.

## REGISTER 20-1: T2CON: TIMER2 CONTROL REGISTER

|       |              |         |         |         |         |             |         |
|-------|--------------|---------|---------|---------|---------|-------------|---------|
| U-0   | R/W-0/0      | R/W-0/0 | R/W-0/0 | R/W-0/0 | R/W-0/0 | R/W-0/0     | R/W-0/0 |
| —     | T2OUTPS<3:0> |         |         |         | TMR2ON  | T2CKPS<1:0> |         |
| bit 7 |              |         |         |         |         |             | bit 0   |

### Legend:

|                      |                      |   |
|----------------------|----------------------|---|
| R = Readable bit     | W = Writable bit     | U = Unimplemented bit, read as '0'                    |
| u = Bit is unchanged | x = Bit is unknown   | -n/n = Value at POR and BOR/Value at all other Resets |
| '1' = Bit is set     | '0' = Bit is cleared |   |

|         |  |
|---------|--|
| bit 7   | <b>Unimplemented:</b> Read as '0'  |
| bit 6-3 | <b>T2OUTPS&lt;3:0&gt;:</b> Timer2 Output Postscaler Select bits<br>0000 = 1:1 Postscaler<br>0001 = 1:2 Postscaler<br>0010 = 1:3 Postscaler<br>0011 = 1:4 Postscaler<br>0100 = 1:5 Postscaler<br>0101 = 1:6 Postscaler<br>0110 = 1:7 Postscaler<br>0111 = 1:8 Postscaler<br>1000 = 1:9 Postscaler<br>1001 = 1:10 Postscaler<br>1010 = 1:11 Postscaler<br>1011 = 1:12 Postscaler<br>1100 = 1:13 Postscaler<br>1101 = 1:14 Postscaler<br>1110 = 1:15 Postscaler<br>1111 = 1:16 Postscaler |
| bit 2   | <b>TMR2ON:</b> Timer2 On bit<br>1 = Timer2 is on<br>0 = Timer2 is off  |
| bit 1-0 | <b>T2CKPS&lt;1:0&gt;:</b> Timer2 Clock Prescale Select bits<br>00 = Prescaler is 1<br>01 = Prescaler is 4<br>10 = Prescaler is 16<br>11 = Prescaler is 64  |

# PIC12(L)F1501

**TABLE 20-1: SUMMARY OF REGISTERS ASSOCIATED WITH TIMER2**

| Name    | Bit 7                                     | Bit 6        | Bit 5   | Bit 4   | Bit 3 | Bit 2  | Bit 1       | Bit 0  | Register on Page |
|---------|---|--------------|---------|---------|-------|--------|-------------|--------|------------------|
| INTCON  | GIE                                       | PEIE         | TMR0IE  | INTE    | IOCIE | TMR0IF | INTF        | IOCIF  | 66               |
| PIE1    | TMR1GIE                                   | ADIE         | —       | —       | —     | —      | TMR2IE      | TMR1IE | 67               |
| PIR1    | TMR1GIF                                   | ADIF         | —       | —       | —     | —      | TMR2IF      | TMR1IF | 70               |
| PR2     | Timer2 Module Period Register             |              |         |         |       |        |             |        | 157*             |
| PWM1CON | PWM1EN                                    | PWM1OE       | PWM1OUT | PWM1POL | —     | —      | —           | —      | 165              |
| PWM2CON | PWM2EN                                    | PWM2OE       | PWM2OUT | PWM2POL | —     | —      | —           | —      | 165              |
| PWM3CON | PWM3EN                                    | PWM3OE       | PWM3OUT | PWM3POL | —     | —      | —           | —      | 165              |
| PWM4CON | PWM4EN                                    | PWM4OE       | PWM4OUT | PWM4POL | —     | —      | —           | —      | 165              |
| T2CON   | —   | T2OUTPS<3:0> |         |         |       | TMR2ON | T2CKPS<1:0> |        | 159              |
| TMR2    | Holding Register for the 8-bit TMR2 Count |              |         |         |       |        |             |        | 157*             |

**Legend:** — = unimplemented location, read as '0'. Shaded cells are not used for Timer2 module.

\* Page provides register information.



## 21.0 PULSE-WIDTH MODULATION (PWM) MODULE

The PWM module generates a Pulse-Width Modulated signal determined by the duty cycle, period, and resolution that are configured by the following registers:

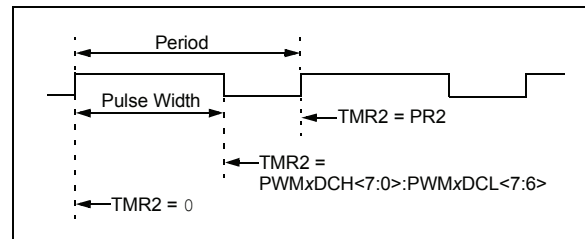
- PR2
- T2CON
- PWMxDCH
- PWMxDCL
- PWMxCON

Figure 21-2 shows a simplified block diagram of PWM operation.

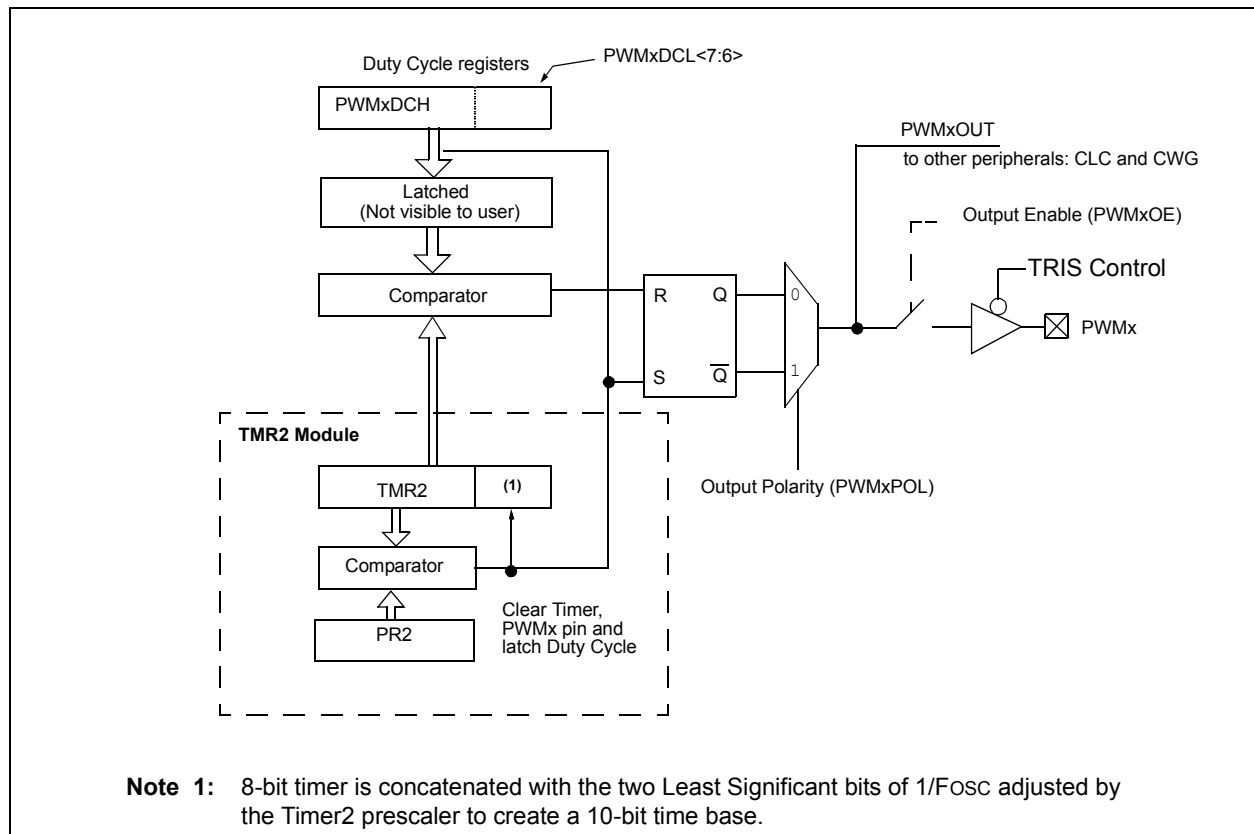
Figure 21-1 shows a typical waveform of the PWM signal.

For a step-by-step procedure on how to set up this module for PWM operation, refer to [Section 21.1.9 “Setup for PWM Operation using PWMx Pins”](#).

**FIGURE 21-1: PWM OUTPUT**



**FIGURE 21-2: SIMPLIFIED PWM BLOCK DIAGRAM**



# PIC12(L)F1501

## 21.1 PWMx Pin Configuration

All PWM outputs are multiplexed with the PORT data latch. The user must configure the pins as outputs by clearing the associated TRIS bits.

**Note:** Clearing the PWMxOE bit will relinquish control of the PWMx pin.

### 21.1.1 FUNDAMENTAL OPERATION

The PWM module produces a 10-bit resolution output. Timer2 and PR2 set the period of the PWM. The PWMxDCL and PWMxDCH registers configure the duty cycle. The period is common to all PWM modules, whereas the duty cycle is independently controlled.

**Note:** The Timer2 postscaler is not used in the determination of the PWM frequency. The postscaler could be used to have a servo update rate at a different frequency than the PWM output.

All PWM outputs associated with Timer2 are set when TMR2 is cleared. Each PWMx is cleared when TMR2 is equal to the value specified in the corresponding PWMxDCH (8 MSb) and PWMxDCL<7:6> (2 LSb) registers. When the value is greater than or equal to PR2, the PWM output is never cleared (100% duty cycle).

**Note:** The PWMxDCH and PWMxDCL registers are double buffered. The buffers are updated when Timer2 matches PR2. Care should be taken to update both registers before the timer match occurs.

### 21.1.2 PWM OUTPUT POLARITY

The output polarity is inverted by setting the PWMxPOL bit of the PWMxCON register.

### 21.1.3 PWM PERIOD

The PWM period is specified by the PR2 register of Timer2. The PWM period can be calculated using the formula of [Equation 21-1](#).

#### EQUATION 21-1: PWM PERIOD

$$PWM\ Period = [(PR2) + 1] \cdot 4 \cdot TOSC \cdot (TMR2\ Prescale\ Value)$$

**Note:**  $TOSC = 1/FOSC$

When TMR2 is equal to PR2, the following three events occur on the next increment cycle:

- TMR2 is cleared
- The PWM output is active. (Exception: When the PWM duty cycle = 0%, the PWM output will remain inactive.)
- The PWMxDCH and PWMxDCL register values are latched into the buffers.

**Note:** The Timer2 postscaler has no effect on the PWM operation.

### 21.1.4 PWM DUTY CYCLE

The PWM duty cycle is specified by writing a 10-bit value to the PWMxDCH and PWMxDCL register pair. The PWMxDCH register contains the eight MSBs and the PWMxDCL<7:6>, the two LSbs. The PWMxDCH and PWMxDCL registers can be written to at any time.

[Equation 21-2](#) is used to calculate the PWM pulse width.

[Equation 21-3](#) is used to calculate the PWM duty cycle ratio.

#### EQUATION 21-2: PULSE WIDTH

$$Pulse\ Width = (PWMxDCH:PWMxDCL<7:6>) \cdot TOSC \cdot (TMR2\ Prescale\ Value)$$

**Note:**  $TOSC = 1/FOSC$

#### EQUATION 21-3: DUTY CYCLE RATIO

$$Duty\ Cycle\ Ratio = \frac{(PWMxDCH:PWMxDCL<7:6>)}{4(PR2 + 1)}$$

The 8-bit timer TMR2 register is concatenated with the two Least Significant bits of  $1/FOSC$ , adjusted by the Timer2 prescaler to create the 10-bit time base. The system clock is used if the Timer2 prescaler is set to 1:1.

## 21.1.5 PWM RESOLUTION

The resolution determines the number of available duty cycles for a given period. For example, a 10-bit resolution will result in 1024 discrete duty cycles, whereas an 8-bit resolution will result in 256 discrete duty cycles.

The maximum PWM resolution is 10 bits when PR2 is 255. The resolution is a function of the PR2 register value as shown by [Equation 21-4](#).

### EQUATION 21-4: PWM RESOLUTION

$$Resolution = \frac{\log[4(PR2 + 1)]}{\log(2)} \text{ bits}$$

**Note:** If the pulse width value is greater than the period the assigned PWM pin(s) will remain unchanged.

**TABLE 21-1: EXAMPLE PWM FREQUENCIES AND RESOLUTIONS (Fosc = 20 MHz)**

| PWM Frequency             | 0.31 kHz | 4.88 kHz | 19.53 kHz | 78.12 kHz | 156.3 kHz | 208.3 kHz |
|---------------------------|----------|----------|-----------|-----------|-----------|-----------|
| Timer Prescale (1, 4, 64) | 64       | 4        | 1         | 1         | 1         | 1         |
| PR2 Value                 | 0xFF     | 0xFF     | 0xFF      | 0x3F      | 0x1F      | 0x17      |
| Maximum Resolution (bits) | 10       | 10       | 10        | 8         | 7         | 6.6       |

**TABLE 21-2: EXAMPLE PWM FREQUENCIES AND RESOLUTIONS (Fosc = 8 MHz)**

| PWM Frequency             | 0.31 kHz | 4.90 kHz | 19.61 kHz | 76.92 kHz | 153.85 kHz | 200.0 kHz |
|---------------------------|----------|----------|-----------|-----------|------------|-----------|
| Timer Prescale (1, 4, 64) | 64       | 4        | 1         | 1         | 1          | 1         |
| PR2 Value                 | 0x65     | 0x65     | 0x65      | 0x19      | 0x0C       | 0x09      |
| Maximum Resolution (bits) | 8        | 8        | 8         | 6         | 5          | 5         |

## 21.1.6 OPERATION IN SLEEP MODE

In Sleep mode, the TMR2 register will not increment and the state of the module will not change. If the PWMx pin is driving a value, it will continue to drive that value. When the device wakes up, TMR2 will continue from its previous state.

## 21.1.7 CHANGES IN SYSTEM CLOCK FREQUENCY

The PWM frequency is derived from the system clock frequency (FOSC). Any changes in the system clock frequency will result in changes to the PWM frequency. Refer to [Section 5.0 "Oscillator Module"](#) for additional details.

## 21.1.8 EFFECTS OF RESET

Any Reset will force all ports to Input mode and the PWM registers to their Reset states.

# PIC12(L)F1501

---

## 21.1.9 SETUP FOR PWM OPERATION USING PWMx PINS

The following steps should be taken when configuring the module for PWM operation using the PWMx pins:

1. Disable the PWMx pin output driver(s) by setting the associated TRIS bit(s).
2. Clear the PWMxCON register.
3. Load the PR2 register with the PWM period value.
4. Clear the PWMxDCH register and bits <7:6> of the PWMxDCL register.
5. Configure and start Timer2:
  - Clear the TMR2IF interrupt flag bit of the PIR1 register. See Note below.
  - Configure the T2CKPS bits of the T2CON register with the Timer2 prescale value.
  - Enable Timer2 by setting the TMR2ON bit of the T2CON register.
6. Enable PWM output pin and wait until Timer2 overflows, TMR2IF bit of the PIR1 register is set. See Note below.
7. Enable the PWMx pin output driver(s) by clearing the associated TRIS bit(s) and setting the PWMxOE bit of the PWMxCON register.
8. Configure the PWM module by loading the PWMxCON register with the appropriate values.

**Note 1:** In order to send a complete duty cycle and period on the first PWM output, the above steps must be followed in the order given. If it is not critical to start with a complete PWM signal, then move Step 8 to replace Step 4.

**2:** For operation with other peripherals only, disable PWMx pin outputs.

## 21.2 PWM Register Definitions

### REGISTER 21-1: PWMxCON: PWM CONTROL REGISTER

|         |         |         |         |     |     |     |       |
|---------|---------|---------|---------|-----|-----|-----|-------|
| R/W-0/0 | R/W-0/0 | R-0/0   | R/W-0/0 | U-0 | U-0 | U-0 | U-0   |
| PWMxEN  | PWMxOE  | PWMxOUT | PWMxPOL | —   | —   | —   | —     |
| bit 7   |         |         |         |     |     |     | bit 0 |

#### Legend:

R = Readable bit

W = Writable bit

U = Unimplemented bit, read as '0'

u = Bit is unchanged

x = Bit is unknown

-n/n = Value at POR and BOR/Value at all other Resets

'1' = Bit is set

'0' = Bit is cleared

- bit 7      **PWMxEN:** PWM Module Enable bit  
           1 = PWM module is enabled  
           0 = PWM module is disabled
- bit 6      **PWMxOE:** PWM Module Output Enable bit  
           1 = Output to PWMx pin is enabled  
           0 = Output to PWMx pin is disabled
- bit 5      **PWMxOUT:** PWM Module Output Value bit
- bit 4      **PWMxPOL:** PWMx Output Polarity Select bit  
           1 = PWM output is active-low  
           0 = PWM output is active-high
- bit 3-0    **Unimplemented:** Read as '0'

# PIC12(L)F1501

## REGISTER 21-2: PWMxDCH: PWM DUTY CYCLE HIGH BITS

|              |         |         |         |         |         |         |         |
|--------------|---------|---------|---------|---------|---------|---------|---------|
| R/W-x/u      | R/W-x/u | R/W-x/u | R/W-x/u | R/W-x/u | R/W-x/u | R/W-x/u | R/W-x/u |
| PWMxDCH<7:0> |         |         |         |         |         |         |         |
| bit 7        |         |         |         |         |         |         | bit 0   |

### Legend:

|                      |                      |   |
|----------------------|----------------------|---|
| R = Readable bit     | W = Writable bit     | U = Unimplemented bit, read as '0'                    |
| u = Bit is unchanged | x = Bit is unknown   | -n/n = Value at POR and BOR/Value at all other Resets |
| '1' = Bit is set     | '0' = Bit is cleared |   |

bit 7-0 **PWMxDCH<7:0>**: PWM Duty Cycle Most Significant bits  
 These bits are the MSBs of the PWM duty cycle. The two LSbs are found in the PWMxDCL register.

## REGISTER 21-3: PWMxDCL: PWM DUTY CYCLE LOW BITS

|              |         |     |     |     |     |     |       |
|--------------|---------|-----|-----|-----|-----|-----|-------|
| R/W-x/u      | R/W-x/u | U-0 | U-0 | U-0 | U-0 | U-0 | U-0   |
| PWMxDCL<7:6> |         |     |     |     |     |     |       |
| bit 7        |         |     |     |     |     |     | bit 0 |

### Legend:

|                      |                      |   |
|----------------------|----------------------|---|
| R = Readable bit     | W = Writable bit     | U = Unimplemented bit, read as '0'                    |
| u = Bit is unchanged | x = Bit is unknown   | -n/n = Value at POR and BOR/Value at all other Resets |
| '1' = Bit is set     | '0' = Bit is cleared |   |

bit 7-6 **PWMxDCL<7:6>**: PWM Duty Cycle Least Significant bits  
 These bits are the LSbs of the PWM duty cycle. The MSBs are found in the PWMxDCH register.

bit 5-0 **Unimplemented**: Read as '0'

## TABLE 21-3: SUMMARY OF REGISTERS ASSOCIATED WITH PWM

| Name    | Bit 7                         | Bit 6        | Bit 5   | Bit 4   | Bit 3            | Bit 2  | Bit 1       | Bit 0  | Register on Page |
|---------|-------------------------------|--------------|---------|---------|------------------|--------|-------------|--------|------------------|
| PR2     | Timer2 module Period Register |              |         |         |                  |        |             |        | 157*             |
| PWM1CON | PWM1EN                        | PWM1OE       | PWM1OUT | PWM1POL | —                | —      | —           | —      | 165              |
| PWM1DCH | PWM1DCH<7:0>                  |              |         |         |                  |        |             |        | 166              |
| PWM1DCL | PWM1DCL<7:6>                  |              | —       | —       | —                | —      | —           | —      | 166              |
| PWM2CON | PWM2EN                        | PWM2OE       | PWM2OUT | PWM2POL | —                | —      | —           | —      | 166              |
| PWM2DCH | PWM2DCH<7:0>                  |              |         |         |                  |        |             |        | 166              |
| PWM2DCL | PWM2DCL<7:6>                  |              | —       | —       | —                | —      | —           | —      | 166              |
| PWM3CON | PWM3EN                        | PWM3OE       | PWM3OUT | PWM3POL | —                | —      | —           | —      | 165              |
| PWM3DCH | PWM3DCH<7:0>                  |              |         |         |                  |        |             |        | 166              |
| PWM3DCL | PWM3DCL<7:6>                  |              | —       | —       | —                | —      | —           | —      | 166              |
| PWM4CON | PWM4EN                        | PWM4OE       | PWM4OUT | PWM4POL | —                | —      | —           | —      | 165              |
| PWM4DCH | PWM4DCH<7:0>                  |              |         |         |                  |        |             |        | 166              |
| PWM4DCL | PWM4DCL<7:6>                  |              | —       | —       | —                | —      | —           | —      | 166              |
| T2CON   | —                             | T2OUTPS<3:0> |         |         |                  | TMR2ON | T2CKPS<1:0> |        | 159              |
| TMR2    | Timer2 module Register        |              |         |         |                  |        |             |        | 157*             |
| TRISA   | —                             | —            | TRISA5  | TRISA4  | — <sup>(1)</sup> | TRISA2 | TRISA1      | TRISA0 | 102              |

**Legend:** — = Unimplemented locations, read as '0', u = unchanged, x = unknown. Shaded cells are not used by the PWM.

\* Page provides register information.

**Note 1:** Unimplemented, read as '1'.

## 22.0 CONFIGURABLE LOGIC CELL (CLC)

The Configurable Logic Cell (CLC) provides programmable logic that operates outside the speed limitations of software execution. The logic cell takes up to 16 input signals and through the use of configurable gates reduces the 16 inputs to four logic lines that drive one of eight selectable single-output logic functions.

Input sources are a combination of the following:

- I/O pins
- Internal clocks
- Peripherals
- Register bits

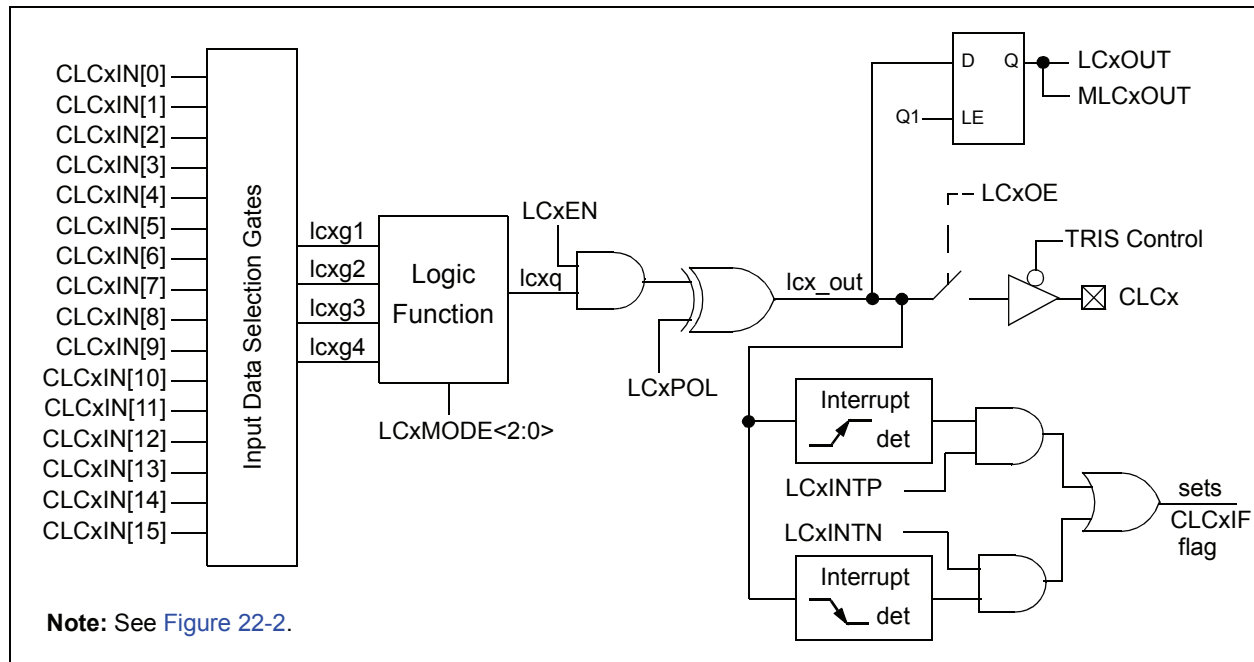
The output can be directed internally to peripherals and to an output pin.

Refer to [Figure 22-1](#) for a simplified diagram showing signal flow through the CLCx.

Possible configurations include:

- Combinatorial Logic
  - AND
  - NAND
  - AND-OR
  - AND-OR-INVERT
  - OR-XOR
  - OR-XNOR
- Latches
  - S-R
  - Clocked D with Set and Reset
  - Transparent D with Set and Reset
  - Clocked J-K with Reset

**FIGURE 22-1: CLCx SIMPLIFIED BLOCK DIAGRAM**



# PIC12(L)F1501

## 22.1 CLCx Setup

Programming the CLCx module is performed by configuring the 4 stages in the logic signal flow. The 4 stages are:

- Data selection
- Data gating
- Logic function selection
- Output polarity

Each stage is setup at run time by writing to the corresponding CLCx Special Function Registers. This has the added advantage of permitting logic reconfiguration on-the-fly during program execution.

### 22.1.1 DATA SELECTION

There are 16 signals available as inputs to the configurable logic. Four 8-input multiplexers are used to select the inputs to pass on to the next stage. The 16 inputs to the multiplexers are arranged in groups of four. Each group is available to two of the four multiplexers, in each case, paired with a different group. This arrangement makes possible selection of up to two from a group without precluding a selection from another group.

Data inputs are selected with the CLCxSEL0 and CLCxSEL1 registers ([Register 22-3](#) and [Register 22-4](#), respectively).

Data inputs are selected with CLCxSEL0 and CLCxSEL1 registers ([Register 22-3](#) and [Register 22-4](#), respectively).

Data selection is through four multiplexers as indicated on the left side of [Figure 22-2](#). Data inputs in the figure are identified by a generic numbered input name.

[Table 22-1](#) correlates the generic input name to the actual signal for each CLC module. The columns labeled lcx1 through lcx4 indicate the MUX output for the selected data input. D1S through D4S are abbreviations for the MUX select input codes: LCxD1S<2:0> through LCxD4S<2:0>, respectively. Selecting a data input in a column excludes all other inputs in that column.

**Note:** Data selections are undefined at power-up.

**TABLE 22-1: CLCx DATA INPUT SELECTION**

| Data Input | lcxd1<br>D1S | lcxd2<br>D2S | lcxd3<br>D3S | lcxd4<br>D4S | CLC 1      | CLC 2      |
|------------|--------------|--------------|--------------|--------------|------------|------------|
| CLCxIN[0]  | 000          | —            | —            | 100          | CLC1IN0    | CLC2IN0    |
| CLCxIN[1]  | 001          | —            | —            | 101          | CLC1IN1    | CLC2IN1    |
| CLCxIN[2]  | 010          | —            | —            | 110          | sync_C1OUT | sync_C1OUT |
| CLCxIN[3]  | 011          | —            | —            | 111          | Reserved   | Reserved   |
| CLCxIN[4]  | 100          | 000          | —            | —            | Fosc       | Fosc       |
| CLCxIN[5]  | 101          | 001          | —            | —            | TMR0IF     | TMR0IF     |
| CLCxIN[6]  | 110          | 010          | —            | —            | TMR1IF     | TMR1IF     |
| CLCxIN[7]  | 111          | 011          | —            | —            | TMR2 = PR2 | TMR2 = PR2 |
| CLCxIN[8]  | —            | 100          | 000          | —            | lc1_out    | lc1_out    |
| CLCxIN[9]  | —            | 101          | 001          | —            | lc2_out    | lc2_out    |
| CLCxIN[10] | —            | 110          | 010          | —            | Reserved   | Reserved   |
| CLCxIN[11] | —            | 111          | 011          | —            | Reserved   | Reserved   |
| CLCxIN[12] | —            | —            | 100          | 000          | NCO1OUT    | LFINTOSC   |
| CLCxIN[13] | —            | —            | 101          | 001          | HFINTOSC   | ADFRFC     |
| CLCxIN[14] | —            | —            | 110          | 010          | PWM3OUT    | PWM1OUT    |
| CLCxIN[15] | —            | —            | 111          | 011          | PWM4OUT    | PWM2OUT    |



## 22.1.2 DATA GATING

Outputs from the input multiplexers are directed to the desired logic function input through the data gating stage. Each data gate can direct any combination of the four selected inputs.

**Note:** Data gating is undefined at power-up.

The gate stage is more than just signal direction. The gate can be configured to direct each input signal as inverted or non-inverted data. Directed signals are ANDed together in each gate. The output of each gate can be inverted before going on to the logic function stage.

The gating is in essence a 1-to-4 input AND/NAND/OR/NOR gate. When every input is inverted and the output is inverted, the gate is an OR of all enabled data inputs. When the inputs and output are not inverted, the gate is an AND of all enabled inputs.

Table 22-2 summarizes the basic logic that can be obtained in gate 1 by using the gate logic select bits. The table shows the logic of four input variables, but each gate can be configured to use less than four. If no inputs are selected, the output will be zero or one, depending on the gate output polarity bit.

**TABLE 22-2: DATA GATING LOGIC**

| CLCxGLS0 | LCxG1POL | Gate Logic |
|----------|----------|------------|
| 0x55     | 1        | AND        |
| 0x55     | 0        | NAND       |
| 0xAA     | 1        | NOR        |
| 0xAA     | 0        | OR         |
| 0x00     | 0        | Logic 0    |
| 0x00     | 1        | Logic 1    |

It is possible (but not recommended) to select both the true and negated values of an input. When this is done, the gate output is zero, regardless of the other inputs, but may emit logic glitches (transient-induced pulses). If the output of the channel must be zero or one, the recommended method is to set all gate bits to zero and use the gate polarity bit to set the desired level.

Data gating is configured with the logic gate select registers as follows:

- Gate 1: CLCxGLS0 (Register 22-5)
- Gate 2: CLCxGLS1 (Register 22-6)
- Gate 3: CLCxGLS2 (Register 22-7)
- Gate 4: CLCxGLS3 (Register 22-8)

Register number suffixes are different than the gate numbers because other variations of this module have multiple gate selections in the same register.

Data gating is indicated in the right side of Figure 22-2. Only one gate is shown in detail. The remaining three gates are configured identically with the exception that the data enables correspond to the enables for that gate.

## 22.1.3 LOGIC FUNCTION

There are 8 available logic functions including:

- AND-OR
- OR-XOR
- AND
- S-R Latch
- D Flip-Flop with Set and Reset
- D Flip-Flop with Reset
- J-K Flip-Flop with Reset
- Transparent Latch with Set and Reset

Logic functions are shown in Figure 22-3. Each logic function has four inputs and one output. The four inputs are the four data gate outputs of the previous stage. The output is fed to the inversion stage and from there to other peripherals, an output pin, and back to the CLCx itself.

## 22.1.4 OUTPUT POLARITY

The last stage in the configurable logic cell is the output polarity. Setting the LCxPOL bit of the CLCxCON register inverts the output signal from the logic stage. Changing the polarity while the interrupts are enabled will cause an interrupt for the resulting output transition.

# PIC12(L)F1501

---

## 22.1.5 CLCx SETUP STEPS

The following steps should be followed when setting up the CLCx:

- Disable CLCx by clearing the LCxEN bit.
- Select desired inputs using CLCxSEL0 and CLCxSEL1 registers (See [Table 22-1](#)).
- Clear any associated ANSEL bits.
- Set all TRIS bits associated with inputs.
- Clear all TRIS bits associated with outputs.
- Enable the chosen inputs through the four gates using CLCxGLS0, CLCxGLS1, CLCxGLS2, and CLCxGLS3 registers.
- Select the gate output polarities with the LCxPOLy bits of the CLCxPOL register.
- Select the desired logic function with the LCxMODE<2:0> bits of the CLCxCON register.
- Select the desired polarity of the logic output with the LCxPOL bit of the CLCxPOL register. (This step may be combined with the previous gate output polarity step).
- If driving the CLCx pin, set the LCxOE bit of the CLCxCON register and also clear the TRIS bit corresponding to that output.
- If interrupts are desired, configure the following bits:
  - Set the LCxINTP bit in the CLCxCON register for rising event.
  - Set the LCxINTN bit in the CLCxCON register or falling event.
  - Set the CLCxIE bit of the associated PIE registers.
  - Set the GIE and PEIE bits of the INTCON register.
- Enable the CLCx by setting the LCxEN bit of the CLCxCON register.

## 22.2 CLCx Interrupts

An interrupt will be generated upon a change in the output value of the CLCx when the appropriate interrupt enables are set. A rising edge detector and a falling edge detector are present in each CLCx for this purpose.

The CLCxIF bit of the associated PIR registers will be set when either edge detector is triggered and its associated enable bit is set. The LCxINTP enables rising edge interrupts and the LCxINTN bit enables falling edge interrupts. Both are located in the CLCxCON register.

To fully enable the interrupt, set the following bits:

- LCxON bit of the CLCxCON register
- CLCxIE bit of the associated PIE registers
- LCxINTP bit of the CLCxCON register (for a rising edge detection)
- LCxINTN bit of the CLCxCON register (for a falling edge detection)
- PEIE and GIE bits of the INTCON register

The CLCxIF bit of the associated PIR registers, must be cleared in software as part of the interrupt service. If another edge is detected while this flag is being cleared, the flag will still be set at the end of the sequence.

## 22.3 Output Mirror Copies

Mirror copies of all LCxCON output bits are contained in the CLCxDATA register. Reading this register reads the outputs of all CLC's simultaneously. This prevents any reading skew introduced by testing or reading the CLCxOUT bits in the individual CLCxCON registers.

## 22.4 Effects of a Reset

The CLCxCON register is cleared to zero as the result of a Reset. All other selection and gating values remain unchanged.

## 22.5 Operation During Sleep

The CLCx module operates independently from the system clock and will continue to run during Sleep, provided that the input sources selected remain active.

The HFINTOSC remains active during Sleep when the CLCx module is enabled and the HFINTOSC is selected as an input source, regardless of the system clock source selected.

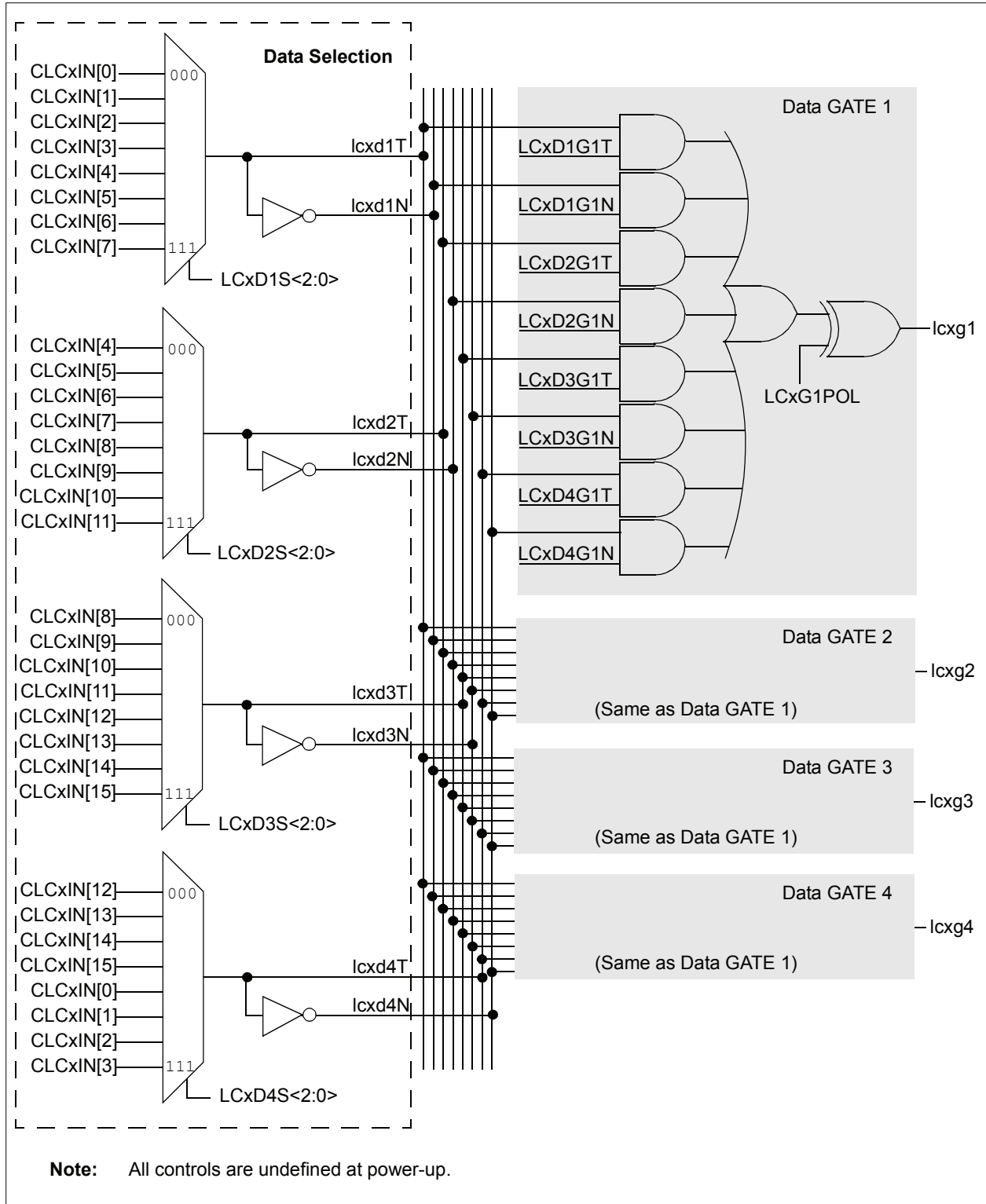
In other words, if the HFINTOSC is simultaneously selected as the system clock and as a CLCx input source, when the CLCx is enabled, the CPU will go idle during Sleep, but the CLCx will continue to operate and the HFINTOSC will remain active.

This will have a direct effect on the Sleep mode current.

## 22.6 Alternate Pin Locations

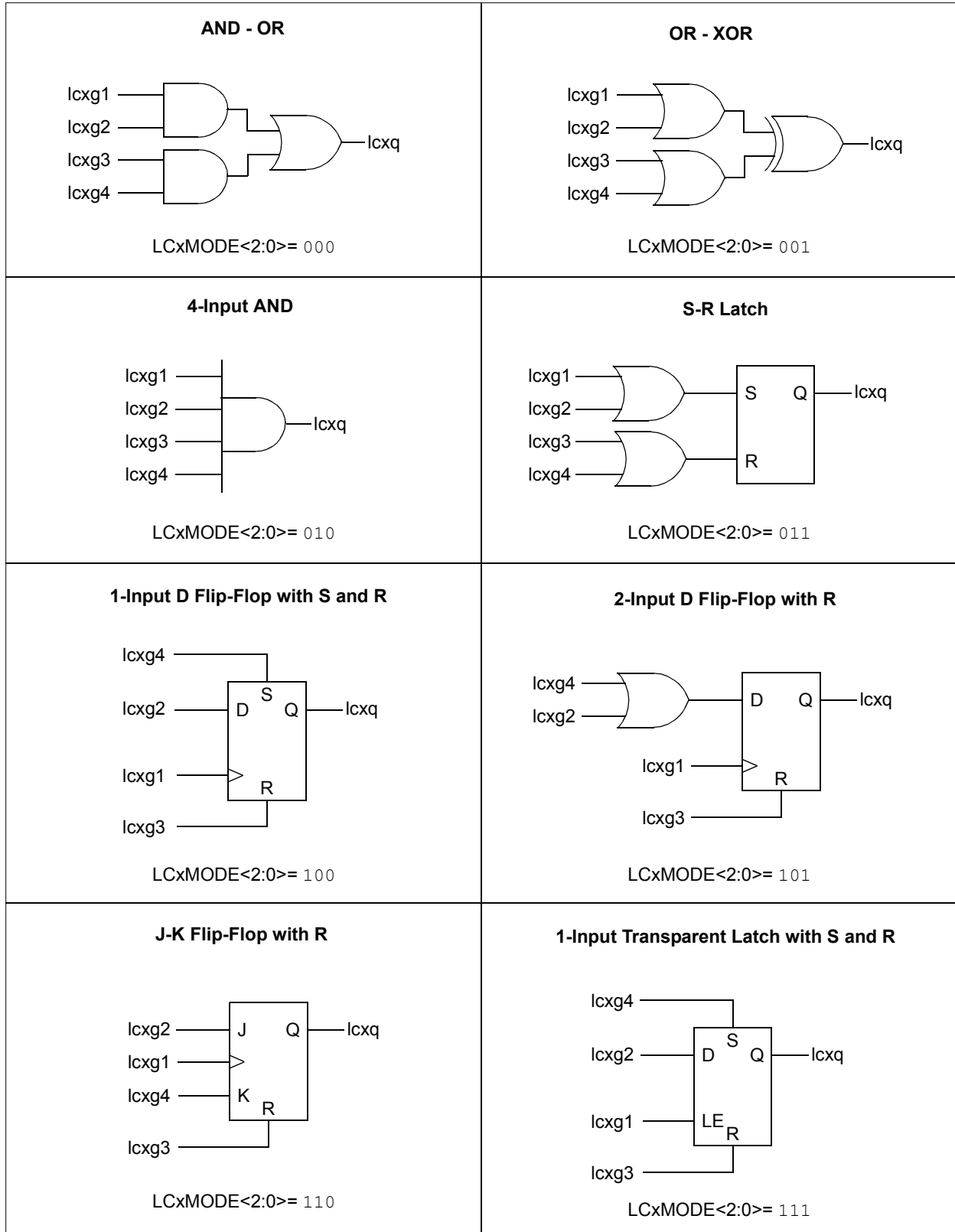
This module incorporates I/O pins that can be moved to other locations with the use of the alternate pin function register, APFCON. To determine which pins can be moved and what their default locations are upon a Reset, see [Section 11.1 "Alternate Pin Function"](#) for more information.

**FIGURE 22-2: INPUT DATA SELECTION AND GATING**



# PIC12(L)F1501

**FIGURE 22-3: PROGRAMMABLE LOGIC FUNCTIONS**



## 22.7 CLCx Control Registers

**REGISTER 22-1: CLCxCON: CONFIGURABLE LOGIC CELL CONTROL REGISTER**

|         |         |        |         |         |              |         |         |
|---------|---------|--------|---------|---------|--------------|---------|---------|
| R/W-0/0 | R/W-0/0 | R-0/0  | R/W-0/0 | R/W-0/0 | R/W-0/0      | R/W-0/0 | R/W-0/0 |
| LCxEN   | LCxOE   | LCxOUT | LCxINTP | LCxINTN | LCxMODE<2:0> |         |         |
| bit 7   |         |        |         |         |              |         | bit 0   |

**Legend:**

|                      |                      |   |
|----------------------|----------------------|---|
| R = Readable bit     | W = Writable bit     | U = Unimplemented bit, read as '0'                    |
| u = Bit is unchanged | x = Bit is unknown   | -n/n = Value at POR and BOR/Value at all other Resets |
| '1' = Bit is set     | '0' = Bit is cleared |   |

- bit 7      **LCxEN:** Configurable Logic Cell Enable bit  
1 = Configurable logic cell is enabled and mixing input signals  
0 = Configurable logic cell is disabled and has logic zero output
- bit 6      **LCxOE:** Configurable Logic Cell Output Enable bit  
1 = Configurable logic cell port pin output enabled  
0 = Configurable logic cell port pin output disabled
- bit 5      **LCxOUT:** Configurable Logic Cell Data Output bit  
Read-only: logic cell output data, after LCxPOL; sampled from lcx\_out wire.
- bit 4      **LCxINTP:** Configurable Logic Cell Positive Edge Going Interrupt Enable bit  
1 = CLCxIF will be set when a rising edge occurs on lcx\_out  
0 = CLCxIF will not be set
- bit 3      **LCxINTN:** Configurable Logic Cell Negative Edge Going Interrupt Enable bit  
1 = CLCxIF will be set when a falling edge occurs on lcx\_out  
0 = CLCxIF will not be set
- bit 2-0    **LCxMODE<2:0>:** Configurable Logic Cell Functional Mode bits  
111 = Cell is 1-input transparent latch with S and R  
110 = Cell is J-K flip-flop with R  
101 = Cell is 2-input D flip-flop with R  
100 = Cell is 1-input D flip-flop with S and R  
011 = Cell is S-R latch  
010 = Cell is 4-input AND  
001 = Cell is OR-XOR  
000 = Cell is AND-OR

# PIC12(L)F1501

## REGISTER 22-2: CLCxPOL: SIGNAL POLARITY CONTROL REGISTER

|         |     |     |     |          |          |          |          |
|---------|-----|-----|-----|----------|----------|----------|----------|
| R/W-0/0 | U-0 | U-0 | U-0 | R/W-x/u  | R/W-x/u  | R/W-x/u  | R/W-x/u  |
| LCxPOL  | —   | —   | —   | LCxG4POL | LCxG3POL | LCxG2POL | LCxG1POL |
| bit 7   |     |     |     |          |          |          | bit 0    |

### Legend:

R = Readable bit

W = Writable bit

U = Unimplemented bit, read as '0'

u = Bit is unchanged

x = Bit is unknown

-n/n = Value at POR and BOR/Value at all other Resets

'1' = Bit is set

'0' = Bit is cleared

- bit 7      **LCxPOL:** LCOU<sub>T</sub> Polarity Control bit  
1 = The output of the logic cell is inverted  
0 = The output of the logic cell is not inverted
- bit 6-4    **Unimplemented:** Read as '0'
- bit 3      **LCxG4POL:** Gate 4 Output Polarity Control bit  
1 = The output of gate 4 is inverted when applied to the logic cell  
0 = The output of gate 4 is not inverted
- bit 2      **LCxG3POL:** Gate 3 Output Polarity Control bit  
1 = The output of gate 3 is inverted when applied to the logic cell  
0 = The output of gate 3 is not inverted
- bit 1      **LCxG2POL:** Gate 2 Output Polarity Control bit  
1 = The output of gate 2 is inverted when applied to the logic cell  
0 = The output of gate 2 is not inverted
- bit 0      **LCxG1POL:** Gate 1 Output Polarity Control bit  
1 = The output of gate 1 is inverted when applied to the logic cell  
0 = The output of gate 1 is not inverted

## REGISTER 22-3: CLCxSEL0: MULTIPLEXER DATA 1 AND 2 SELECT REGISTER

|       |             |         |         |       |             |         |         |
|-------|-------------|---------|---------|-------|-------------|---------|---------|
| U-0   | R/W-x/u     | R/W-x/u | R/W-x/u | U-0   | R/W-x/u     | R/W-x/u | R/W-x/u |
| —     | LCxD2S<2:0> |         |         | —     | LCxD1S<2:0> |         |         |
| bit 7 |             |         |         | bit 0 |             |         |         |

### Legend:

|                      |                      |   |
|----------------------|----------------------|---|
| R = Readable bit     | W = Writable bit     | U = Unimplemented bit, read as '0'                    |
| u = Bit is unchanged | x = Bit is unknown   | -n/n = Value at POR and BOR/Value at all other Resets |
| '1' = Bit is set     | '0' = Bit is cleared |   |

bit 7 **Unimplemented:** Read as '0'

bit 6-4 **LCxD2S<2:0>:** Input Data 2 Selection Control bits<sup>(1)</sup>

- 111 = CLCxIN[11] is selected for lcx2
- 110 = CLCxIN[10] is selected for lcx2
- 101 = CLCxIN[9] is selected for lcx2
- 100 = CLCxIN[8] is selected for lcx2
- 011 = CLCxIN[7] is selected for lcx2
- 010 = CLCxIN[6] is selected for lcx2
- 001 = CLCxIN[5] is selected for lcx2
- 000 = CLCxIN[4] is selected for lcx2

bit 3 **Unimplemented:** Read as '0'

bit 2-0 **LCxD1S<2:0>:** Input Data 1 Selection Control bits<sup>(1)</sup>

- 111 = CLCxIN[7] is selected for lcx1
- 110 = CLCxIN[6] is selected for lcx1
- 101 = CLCxIN[5] is selected for lcx1
- 100 = CLCxIN[4] is selected for lcx1
- 011 = CLCxIN[3] is selected for lcx1
- 010 = CLCxIN[2] is selected for lcx1
- 001 = CLCxIN[1] is selected for lcx1
- 000 = CLCxIN[0] is selected for lcx1

**Note 1:** See [Table 22-1](#) for signal names associated with inputs.

# PIC12(L)F1501

## REGISTER 22-4: CLCxSEL1: MULTIPLEXER DATA 3 AND 4 SELECT REGISTER

|       |             |         |         |       |             |         |         |
|-------|-------------|---------|---------|-------|-------------|---------|---------|
| U-0   | R/W-x/u     | R/W-x/u | R/W-x/u | U-0   | R/W-x/u     | R/W-x/u | R/W-x/u |
| —     | LCxD4S<2:0> |         |         | —     | LCxD3S<2:0> |         |         |
| bit 7 |             |         |         | bit 0 |             |         |         |

### Legend:

R = Readable bit

W = Writable bit

U = Unimplemented bit, read as '0'

u = Bit is unchanged

x = Bit is unknown

-n/n = Value at POR and BOR/Value at all other Resets

'1' = Bit is set

'0' = Bit is cleared

bit 7 **Unimplemented:** Read as '0'

bit 6-4 **LCxD4S<2:0>:** Input Data 4 Selection Control bits<sup>(1)</sup>

- 111 = CLCxIN[3] is selected for lcx4
- 110 = CLCxIN[2] is selected for lcx4
- 101 = CLCxIN[1] is selected for lcx4
- 100 = CLCxIN[0] is selected for lcx4
- 011 = CLCxIN[15] is selected for lcx4
- 010 = CLCxIN[14] is selected for lcx4
- 001 = CLCxIN[13] is selected for lcx4
- 000 = CLCxIN[12] is selected for lcx4

bit 3 **Unimplemented:** Read as '0'

bit 2-0 **LCxD3S<2:0>:** Input Data 3 Selection Control bits<sup>(1)</sup>

- 111 = CLCxIN[15] is selected for lcx3
- 110 = CLCxIN[14] is selected for lcx3
- 101 = CLCxIN[13] is selected for lcx3
- 100 = CLCxIN[12] is selected for lcx3
- 011 = CLCxIN[11] is selected for lcx3
- 010 = CLCxIN[10] is selected for lcx3
- 001 = CLCxIN[9] is selected for lcx3
- 000 = CLCxIN[8] is selected for lcx3

**Note 1:** See [Table 22-1](#) for signal names associated with inputs.



## REGISTER 22-5: CLCxGLS0: GATE 1 LOGIC SELECT REGISTER

| R/W-x/u  | R/W-x/u  | R/W-x/u  | R/W-x/u  | R/W-x/u  | R/W-x/u  | R/W-x/u  | R/W-x/u  |
|----------|----------|----------|----------|----------|----------|----------|----------|
| LCxG1D4T | LCxG1D4N | LCxG1D3T | LCxG1D3N | LCxG1D2T | LCxG1D2N | LCxG1D1T | LCxG1D1N |
| bit 7    |          |          |          |          |          |          | bit 0    |

### Legend:

|                      |                      |   |
|----------------------|----------------------|---|
| R = Readable bit     | W = Writable bit     | U = Unimplemented bit, read as '0'                    |
| u = Bit is unchanged | x = Bit is unknown   | -n/n = Value at POR and BOR/Value at all other Resets |
| '1' = Bit is set     | '0' = Bit is cleared |   |

|       |  |
|-------|--|
| bit 7 | <b>LCxG1D4T:</b> Gate 1 Data 4 True (non-inverted) bit<br>1 = lcx4T is gated into lcxg1<br>0 = lcx4T is not gated into lcxg1 |
| bit 6 | <b>LCxG1D4N:</b> Gate 1 Data 4 Negated (inverted) bit<br>1 = lcx4N is gated into lcxg1<br>0 = lcx4N is not gated into lcxg1  |
| bit 5 | <b>LCxG1D3T:</b> Gate 1 Data 3 True (non-inverted) bit<br>1 = lcx3T is gated into lcxg1<br>0 = lcx3T is not gated into lcxg1 |
| bit 4 | <b>LCxG1D3N:</b> Gate 1 Data 3 Negated (inverted) bit<br>1 = lcx3N is gated into lcxg1<br>0 = lcx3N is not gated into lcxg1  |
| bit 3 | <b>LCxG1D2T:</b> Gate 1 Data 2 True (non-inverted) bit<br>1 = lcx2T is gated into lcxg1<br>0 = lcx2T is not gated into lcxg1 |
| bit 2 | <b>LCxG1D2N:</b> Gate 1 Data 2 Negated (inverted) bit<br>1 = lcx2N is gated into lcxg1<br>0 = lcx2N is not gated into lcxg1  |
| bit 1 | <b>LCxG1D1T:</b> Gate 1 Data 1 True (non-inverted) bit<br>1 = lcx1T is gated into lcxg1<br>0 = lcx1T is not gated into lcxg1 |
| bit 0 | <b>LCxG1D1N:</b> Gate 1 Data 1 Negated (inverted) bit<br>1 = lcx1N is gated into lcxg1<br>0 = lcx1N is not gated into lcxg1  |

# PIC12(L)F1501

## REGISTER 22-6: CLCxGLS1: GATE 2 LOGIC SELECT REGISTER

| R/W-x/u  | R/W-x/u  | R/W-x/u  | R/W-x/u  | R/W-x/u  | R/W-x/u  | R/W-x/u  | R/W-x/u  |
|----------|----------|----------|----------|----------|----------|----------|----------|
| LCxG2D4T | LCxG2D4N | LCxG2D3T | LCxG2D3N | LCxG2D2T | LCxG2D2N | LCxG2D1T | LCxG2D1N |
| bit 7    |          |          |          |          |          |          | bit 0    |

### Legend:

R = Readable bit

W = Writable bit

U = Unimplemented bit, read as '0'

u = Bit is unchanged

x = Bit is unknown

-n/n = Value at POR and BOR/Value at all other Resets

'1' = Bit is set

'0' = Bit is cleared

- bit 7      **LCxG2D4T:** Gate 2 Data 4 True (non-inverted) bit  
1 = lcx4T is gated into lcxg2  
0 = lcx4T is not gated into lcxg2
- bit 6      **LCxG2D4N:** Gate 2 Data 4 Negated (inverted) bit  
1 = lcx4N is gated into lcxg2  
0 = lcx4N is not gated into lcxg2
- bit 5      **LCxG2D3T:** Gate 2 Data 3 True (non-inverted) bit  
1 = lcx3T is gated into lcxg2  
0 = lcx3T is not gated into lcxg2
- bit 4      **LCxG2D3N:** Gate 2 Data 3 Negated (inverted) bit  
1 = lcx3N is gated into lcxg2  
0 = lcx3N is not gated into lcxg2
- bit 3      **LCxG2D2T:** Gate 2 Data 2 True (non-inverted) bit  
1 = lcx2T is gated into lcxg2  
0 = lcx2T is not gated into lcxg2
- bit 2      **LCxG2D2N:** Gate 2 Data 2 Negated (inverted) bit  
1 = lcx2N is gated into lcxg2  
0 = lcx2N is not gated into lcxg2
- bit 1      **LCxG2D1T:** Gate 2 Data 1 True (non-inverted) bit  
1 = lcx1T is gated into lcxg2  
0 = lcx1T is not gated into lcxg2
- bit 0      **LCxG2D1N:** Gate 2 Data 1 Negated (inverted) bit  
1 = lcx1N is gated into lcxg2  
0 = lcx1N is not gated into lcxg2

## REGISTER 22-7: CLCxGLS2: GATE 3 LOGIC SELECT REGISTER

| R/W-x/u  | R/W-x/u  | R/W-x/u  | R/W-x/u  | R/W-x/u  | R/W-x/u  | R/W-x/u  | R/W-x/u  |
|----------|----------|----------|----------|----------|----------|----------|----------|
| LCxG3D4T | LCxG3D4N | LCxG3D3T | LCxG3D3N | LCxG3D2T | LCxG3D2N | LCxG3D1T | LCxG3D1N |
| bit 7    |          |          |          |          |          |          | bit 0    |

### Legend:

|                      |                      |   |
|----------------------|----------------------|---|
| R = Readable bit     | W = Writable bit     | U = Unimplemented bit, read as '0'                    |
| u = Bit is unchanged | x = Bit is unknown   | -n/n = Value at POR and BOR/Value at all other Resets |
| '1' = Bit is set     | '0' = Bit is cleared |   |

|       |  |
|-------|--|
| bit 7 | <b>LCxG3D4T:</b> Gate 3 Data 4 True (non-inverted) bit<br>1 = lcx4T is gated into lcxg3<br>0 = lcx4T is not gated into lcxg3 |
| bit 6 | <b>LCxG3D4N:</b> Gate 3 Data 4 Negated (inverted) bit<br>1 = lcx4N is gated into lcxg3<br>0 = lcx4N is not gated into lcxg3  |
| bit 5 | <b>LCxG3D3T:</b> Gate 3 Data 3 True (non-inverted) bit<br>1 = lcx3T is gated into lcxg3<br>0 = lcx3T is not gated into lcxg3 |
| bit 4 | <b>LCxG3D3N:</b> Gate 3 Data 3 Negated (inverted) bit<br>1 = lcx3N is gated into lcxg3<br>0 = lcx3N is not gated into lcxg3  |
| bit 3 | <b>LCxG3D2T:</b> Gate 3 Data 2 True (non-inverted) bit<br>1 = lcx2T is gated into lcxg3<br>0 = lcx2T is not gated into lcxg3 |
| bit 2 | <b>LCxG3D2N:</b> Gate 3 Data 2 Negated (inverted) bit<br>1 = lcx2N is gated into lcxg3<br>0 = lcx2N is not gated into lcxg3  |
| bit 1 | <b>LCxG3D1T:</b> Gate 3 Data 1 True (non-inverted) bit<br>1 = lcx1T is gated into lcxg3<br>0 = lcx1T is not gated into lcxg3 |
| bit 0 | <b>LCxG3D1N:</b> Gate 3 Data 1 Negated (inverted) bit<br>1 = lcx1N is gated into lcxg3<br>0 = lcx1N is not gated into lcxg3  |

# PIC12(L)F1501

## REGISTER 22-8: CLCxGLS3: GATE 4 LOGIC SELECT REGISTER

| R/W-x/u  | R/W-x/u  | R/W-x/u  | R/W-x/u  | R/W-x/u  | R/W-x/u  | R/W-x/u  | R/W-x/u  |
|----------|----------|----------|----------|----------|----------|----------|----------|
| LCxG4D4T | LCxG4D4N | LCxG4D3T | LCxG4D3N | LCxG4D2T | LCxG4D2N | LCxG4D1T | LCxG4D1N |
| bit 7    |          |          |          |          |          |          | bit 0    |

### Legend:

R = Readable bit

W = Writable bit

U = Unimplemented bit, read as '0'

u = Bit is unchanged

x = Bit is unknown

-n/n = Value at POR and BOR/Value at all other Resets

'1' = Bit is set

'0' = Bit is cleared

- bit 7      **LCxG4D4T:** Gate 4 Data 4 True (non-inverted) bit  
1 = lcx4T is gated into lcxg4  
0 = lcx4T is not gated into lcxg4
- bit 6      **LCxG4D4N:** Gate 4 Data 4 Negated (inverted) bit  
1 = lcx4N is gated into lcxg4  
0 = lcx4N is not gated into lcxg4
- bit 5      **LCxG4D3T:** Gate 4 Data 3 True (non-inverted) bit  
1 = lcx3T is gated into lcxg4  
0 = lcx3T is not gated into lcxg4
- bit 4      **LCxG4D3N:** Gate 4 Data 3 Negated (inverted) bit  
1 = lcx3N is gated into lcxg4  
0 = lcx3N is not gated into lcxg4
- bit 3      **LCxG4D2T:** Gate 4 Data 2 True (non-inverted) bit  
1 = lcx2T is gated into lcxg4  
0 = lcx2T is not gated into lcxg4
- bit 2      **LCxG4D2N:** Gate 4 Data 2 Negated (inverted) bit  
1 = lcx2N is gated into lcxg4  
0 = lcx2N is not gated into lcxg4
- bit 1      **LCxG4D1T:** Gate 4 Data 1 True (non-inverted) bit  
1 = lcx1T is gated into lcxg4  
0 = lcx1T is not gated into lcxg4
- bit 0      **LCxG4D1N:** Gate 4 Data 1 Negated (inverted) bit  
1 = lcx1N is gated into lcxg4  
0 = lcx1N is not gated into lcxg4

## REGISTER 22-9: CLCDATA: CLC DATA OUTPUT

|       |     |     |     |     |     |         |         |
|-------|-----|-----|-----|-----|-----|---------|---------|
| U-0   | U-0 | U-0 | U-0 | U-0 | U-0 | R-0     | R-0     |
| —     | —   | —   | —   | —   | —   | MLC2OUT | MLC1OUT |
| bit 7 |     |     |     |     |     | bit 0   |         |

### Legend:

R = Readable bit

W = Writable bit

U = Unimplemented bit, read as '0'

u = Bit is unchanged

x = Bit is unknown

-n/n = Value at POR and BOR/Value at all other Resets

'1' = Bit is set

'0' = Bit is cleared

bit 7-2      **Unimplemented:** Read as '0'

bit 1      **MLC2OUT:** Mirror copy of LC2OUT bit

bit 0      **MLC1OUT:** Mirror copy of LC1OUT bit

# PIC12(L)F1501

**TABLE 22-3: SUMMARY OF REGISTERS ASSOCIATED WITH CLCx**

| Name     | Bit7     | Bit6        | Bit5     | Bit4     | Bit3             | Bit2         | Bit1     | Bit0     | Register on Page |
|----------|----------|-------------|----------|----------|------------------|--------------|----------|----------|------------------|
| APFCON   | CWG1BSEL | CWG1ASEL    | —        | —        | T1GSEL           | —            | CLC1SEL  | NCO1SEL  | 100              |
| CLC1CON  | LC1EN    | LC1OE       | LC1OUT   | LC1INTP  | LC1INTN          | LC1MODE<2:0> |          |          | 173              |
| CLC2CON  | LC2EN    | LC2OE       | LC2OUT   | LC2INTP  | LC2INTN          | LC2MODE<2:0> |          |          | 173              |
| CLCDATA  | —        | —           | —        | —        | —                | —            | MLC2OUT  | MLC1OUT  | 177              |
| CLC1GLS0 | LC1G1D4T | LC1G1D4N    | LC1G1D3T | LC1G1D3N | LC1G1D2T         | LC1G1D2N     | LC1G1D1T | LC1G1D1N | 177              |
| CLC1GLS1 | LC1G2D4T | LC1G2D4N    | LC1G2D3T | LC1G2D3N | LC1G2D2T         | LC1G2D2N     | LC1G2D1T | LC1G2D1N | 178              |
| CLC1GLS2 | LC1G3D4T | LC1G3D4N    | LC1G3D3T | LC1G3D3N | LC1G3D2T         | LC1G3D2N     | LC1G3D1T | LC1G3D1N | 179              |
| CLC1GLS3 | LC1G4D4T | LC1G4D4N    | LC1G4D3T | LC1G4D3N | LC1G4D2T         | LC1G4D2N     | LC1G4D1T | LC1G4D1N | 180              |
| CLC1POL  | LC1POL   | —           | —        | —        | LC1G4POL         | LC1G3POL     | LC1G2POL | LC1G1POL | 174              |
| CLC1SEL0 | —        | LC1D2S<2:0> |          |          | —                | LC1D1S<2:0>  |          |          | 175              |
| CLC1SEL1 | —        | LC1D4S<2:0> |          |          | —                | LC1D3S<2:0>  |          |          | 176              |
| CLC2GLS0 | LC2G1D4T | LC2G1D4N    | LC2G1D3T | LC2G1D3N | LC2G1D2T         | LC2G1D2N     | LC2G1D1T | LC2G1D1N | 177              |
| CLC2GLS1 | LC2G2D4T | LC2G2D4N    | LC2G2D3T | LC2G2D3N | LC2G2D2T         | LC2G2D2N     | LC2G2D1T | LC2G2D1N | 178              |
| CLC2GLS2 | LC2G3D4T | LC2G3D4N    | LC2G3D3T | LC2G3D3N | LC2G3D2T         | LC2G3D2N     | LC2G3D1T | LC2G3D1N | 179              |
| CLC2GLS3 | LC2G4D4T | LC2G4D4N    | LC2G4D3T | LC2G4D3N | LC2G4D2T         | LC2G4D2N     | LC2G4D1T | LC2G4D1N | 180              |
| CLC2POL  | LC2POL   | —           | —        | —        | LC2G4POL         | LC2G3POL     | LC2G2POL | LC2G1POL | 174              |
| CLC2SEL0 | —        | LC2D2S<2:0> |          |          | —                | LC2D1S<2:0>  |          |          | 175              |
| CLC2SEL1 | —        | LC2D4S<2:0> |          |          | —                | LC2D3S<2:0>  |          |          | 176              |
| INTCON   | GIE      | PEIE        | TMR0IE   | INTE     | IOCFIE           | TMR0IF       | INTF     | IOCFIF   | 66               |
| PIE3     | —        | —           | —        | —        | —                | —            | CLC2IE   | CLC1IE   | 69               |
| PIR3     | —        | —           | —        | —        | —                | —            | CLC2IF   | CLC1IF   | 72               |
| TRISA    | —        | —           | TRISA5   | TRISA4   | — <sup>(1)</sup> | TRISA2       | TRISA1   | TRISA0   | 102              |

**Legend:** — = unimplemented read as '0'. Shaded cells are not used for CLC module.

**Note 1:** Unimplemented, read as '1'.

## 23.0 NUMERICALLY CONTROLLED OSCILLATOR (NCO) MODULE

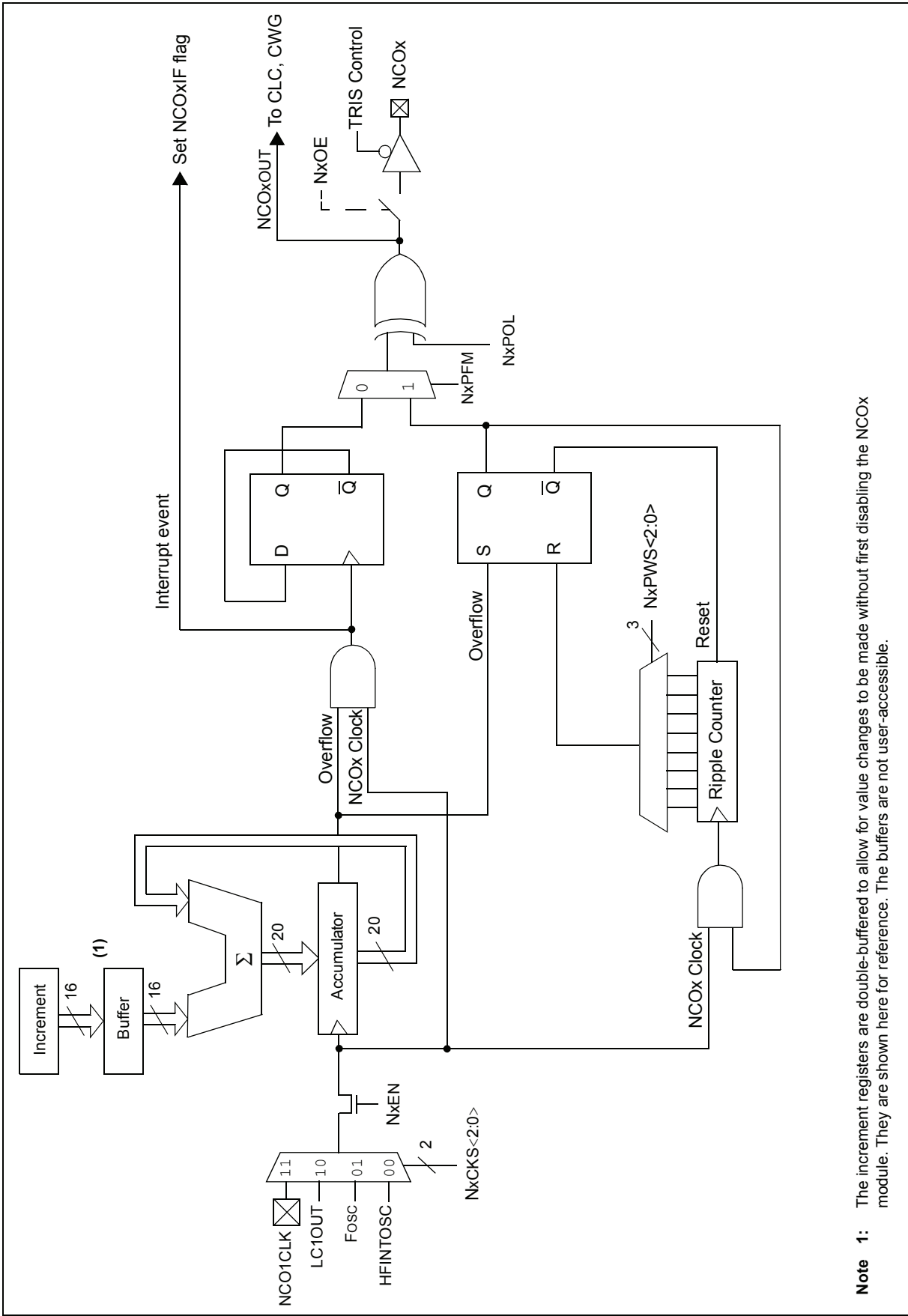
The Numerically Controlled Oscillator (NCO<sub>x</sub>) module is a timer that uses the overflow from the addition of an increment value to divide the input frequency. The advantage of the addition method over simple counter driven timer is that the resolution of division does not vary with the divider value. The NCO<sub>x</sub> is most useful for applications that require frequency accuracy and fine resolution at a fixed duty cycle.

Features of the NCO<sub>x</sub> include:

- 16-bit increment function
- Fixed Duty Cycle (FDC) mode
- Pulse Frequency (PF) mode
- Output pulse width control
- Multiple clock input sources
- Output polarity control
- Interrupt capability

Figure 23-1 is a simplified block diagram of the NCO<sub>x</sub> module.

**FIGURE 23-1: NUMERICALLY CONTROLLED OSCILLATOR (NCOx) MODULE SIMPLIFIED BLOCK DIAGRAM**



**Note 1:** The increment registers are double-buffered to allow for value changes to be made without first disabling the NCOx module. They are shown here for reference. The buffers are not user-accessible.



## 23.1 NCOx OPERATION

The NCOx operates by repeatedly adding a fixed value to an accumulator. Additions occur at the input clock rate. The accumulator will overflow with a carry periodically, which is the raw NCOx output. This effectively reduces the input clock by the ratio of the addition value to the maximum accumulator value. See [Equation 23-1](#).

The NCOx output can be further modified by stretching the pulse or toggling a flip-flop. The modified NCOx output is then distributed internally to other peripherals and optionally output to a pin. The accumulator overflow also generates an interrupt.

The NCOx period changes in discrete steps to create an average frequency. This output depends on the ability of the receiving circuit (i.e., CWG or external resonant converter circuitry) to average the NCOx output to reduce uncertainty.

### 23.1.1 NCOx CLOCK SOURCES

Clock sources available to the NCOx include:

- HFINTOSC
- FOSC
- LCxOUT
- CLKIN pin

The NCOx clock source is selected by configuring the NxCKS<2:0> bits in the NCOxCLK register.

### 23.1.2 ACCUMULATOR

The accumulator is a 20-bit register. Read and write access to the accumulator is available through three registers:

- NCOxACCL
- NCOxACCH
- NCOxACCU

### 23.1.3 ADDER

The NCOx Adder is a full adder, which operates independently from the system clock. The addition of the previous result and the increment value replaces the accumulator value on the rising edge of each input clock.

### 23.1.4 INCREMENT REGISTERS

The increment value is stored in two 8-bit registers making up a 16-bit increment. In order of LSB to MSB they are:

- NCOxINCL
- NCOxINCH

Both of the registers are readable and writable. The increment registers are double-buffered to allow for value changes to be made without first disabling the NCOx module.

The buffer loads are immediate when the module is disabled. Writing to the NCOxINCH register first is necessary because then the buffer is loaded synchronously with the NCOx operation after the write is executed on the NCOxINCL register.

**Note:** The increment buffer registers are not user-accessible.

### EQUATION 23-1:

$$F_{OVERFLOW} = \frac{NCO \text{ Clock Frequency} \times \text{Increment Value}}{2^n}$$

*n = Accumulator width in bits*

## 23.2 FIXED DUTY CYCLE (FDC) MODE

In Fixed Duty Cycle (FDC) mode, every time the accumulator overflows, the output is toggled. This provides a 50% duty cycle, provided that the increment value remains constant. For more information, see [Figure 23-2](#).

The FDC mode is selected by clearing the NxPFM bit in the NCOxCON register.

## 23.3 PULSE FREQUENCY (PF) MODE

In Pulse Frequency (PF) mode, every time the accumulator overflows, the output becomes active for one or more clock periods. Once the clock period expires, the output returns to an inactive state. This provides a pulsed output.

The output becomes active on the rising clock edge immediately following the overflow event. For more information, see [Figure 23-2](#).

The value of the active and inactive states depends on the polarity bit, NxPOL in the NCOxCON register.

The PF mode is selected by setting the NxPFM bit in the NCOxCON register.

### 23.3.1 OUTPUT PULSE WIDTH CONTROL

When operating in PF mode, the active state of the output can vary in width by multiple clock periods. Various pulse widths are selected with the NxPWS<2:0> bits in the NCOxCLK register.

When the selected pulse width is greater than the accumulator overflow time frame, the output of the NCOx operation is indeterminate.

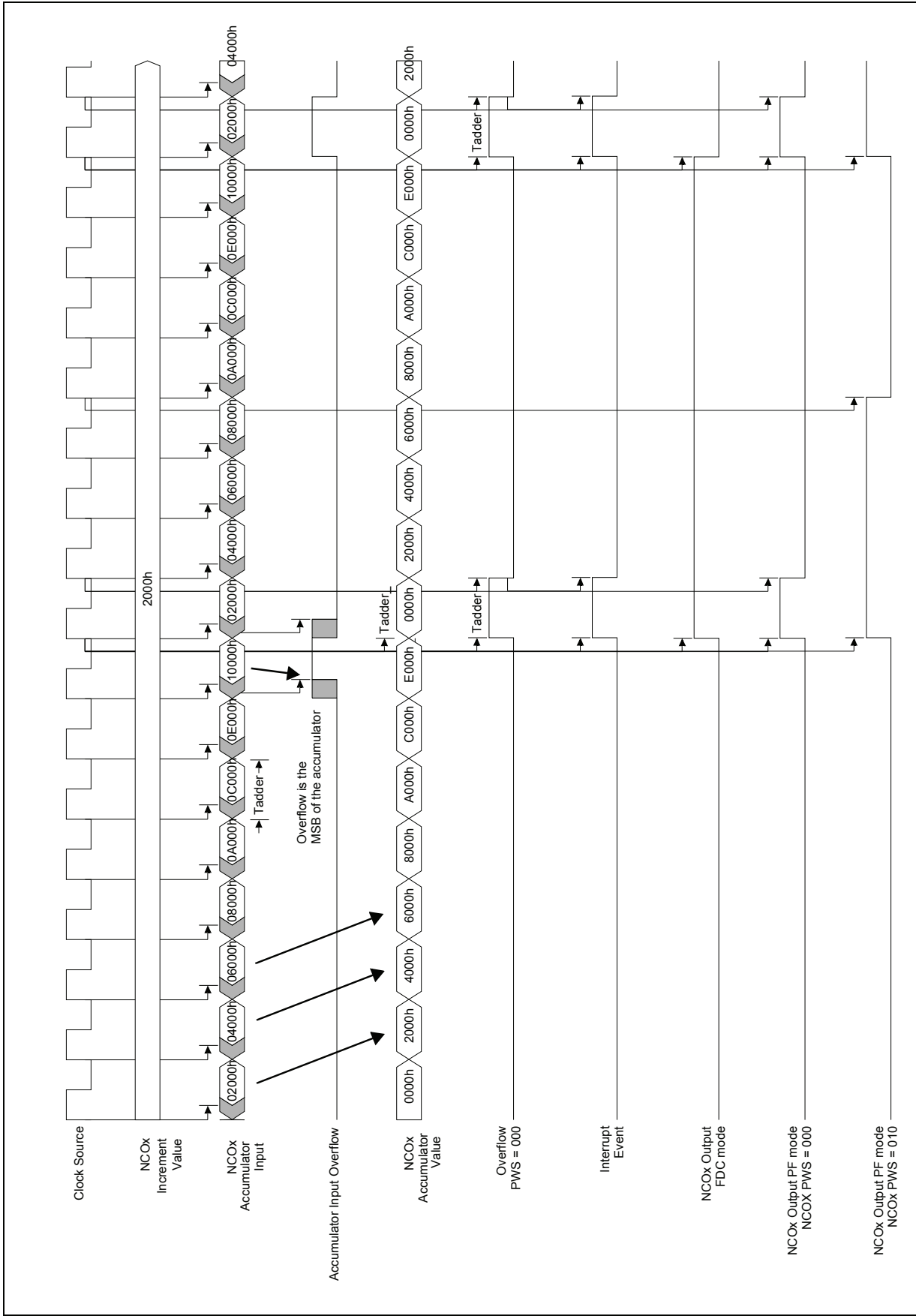
## 23.4 OUTPUT POLARITY CONTROL

The last stage in the NCOx module is the output polarity. The NxPOL bit in the NCOxCON register selects the output polarity. Changing the polarity while the interrupts are enabled will cause an interrupt for the resulting output transition.

The NCOx output can be used internally by source code or other peripherals. Accomplish this by reading the NxOUT (read-only) bit of the NCOxCON register.

# PIC12(L)F1501

**FIGURE 23-2: FDC OUTPUT MODE OPERATION DIAGRAM**



# PIC12(L)F1501

---

## 23.5 Interrupts

When the accumulator overflows, the NCOx Interrupt Flag bit, NCOxIF, of the PIRx register is set. To enable the interrupt event, the following bits must be set:

- NxEN bit of the NCOxCON register
- NCOxIE bit of the PIEx register
- PEIE bit of the INTCON register
- GIE bit of the INTCON register

The interrupt must be cleared by software by clearing the NCOxIF bit in the Interrupt Service Routine.

## 23.6 Effects of a Reset

All of the NCOx registers are cleared to zero as the result of a Reset.

## 23.7 Operation In Sleep

The NCO module operates independently from the system clock and will continue to run during Sleep, provided that the clock source selected remains active.

The HFINTOSC remains active during Sleep when the NCO module is enabled and the HFINTOSC is selected as the clock source, regardless of the system clock source selected.

In other words, if the HFINTOSC is simultaneously selected as the system clock and the NCO clock source, when the NCO is enabled, the CPU will go idle during Sleep, but the NCO will continue to operate and the HFINTOSC will remain active.

This will have a direct effect on the Sleep mode current.

## 23.8 Alternate Pin Locations

This module incorporates I/O pins that can be moved to other locations with the use of the alternate pin function register, APFCON. To determine which pins can be moved and what their default locations are upon a Reset, see [Section 11.1 “Alternate Pin Function”](#) for more information.

## 23.9 NCOx Control Registers

**REGISTER 23-1: NCOxCON: NCOx CONTROL REGISTER**

|         |         |       |         |     |     |     |         |
|---------|---------|-------|---------|-----|-----|-----|---------|
| R/W-0/0 | R/W-0/0 | R-0/0 | R/W-0/0 | U-0 | U-0 | U-0 | R/W-0/0 |
| NxEN    | NxOE    | NxOUT | NxPOL   | —   | —   | —   | NxPFM   |
| bit 7   |         |       |         |     |     |     | bit 0   |

**Legend:**

|                      |                      |   |
|----------------------|----------------------|---|
| R = Readable bit     | W = Writable bit     | U = Unimplemented bit, read as '0'                    |
| u = Bit is unchanged | x = Bit is unknown   | -n/n = Value at POR and BOR/Value at all other Resets |
| '1' = Bit is set     | '0' = Bit is cleared |   |

- bit 7      **NxEN:** NCOx Enable bit  
1 = NCOx module is enabled  
0 = NCOx module is disabled
- bit 6      **NxOE:** NCOx Output Enable bit  
1 = NCOx output pin is enabled  
0 = NCOx output pin is disabled
- bit 5      **NxOUT:** NCOx Output bit  
1 = NCOx output is high  
0 = NCOx output is low
- bit 4      **NxPOL:** NCOx Polarity bit  
1 = NCOx output signal is active-high  
0 = NCOx output signal is active-low
- bit 3-1    **Unimplemented:** Read as '0'.
- bit 0      **NxPFM:** NCOx Pulse Frequency Mode bit  
1 = NCOx operates in Pulse Frequency mode  
0 = NCOx operates in Fixed Duty Cycle mode

**REGISTER 23-2: NCOxCLK: NCOx INPUT CLOCK CONTROL REGISTER**

|            |         |         |     |     |     |            |         |
|------------|---------|---------|-----|-----|-----|------------|---------|
| R/W-0/0    | R/W-0/0 | R/W-0/0 | U-0 | U-0 | U-0 | R/W-0/0    | R/W-0/0 |
| NxPWS<2:0> |         |         | —   | —   | —   | NxCKS<1:0> |         |
| bit 7      |         |         |     |     |     |            | bit 0   |

**Legend:**

|                      |                      |   |
|----------------------|----------------------|---|
| R = Readable bit     | W = Writable bit     | U = Unimplemented bit, read as '0'                    |
| u = Bit is unchanged | x = Bit is unknown   | -n/n = Value at POR and BOR/Value at all other Resets |
| '1' = Bit is set     | '0' = Bit is cleared |   |

- bit 7-5    **NxPWS<2:0>:** NCOx Output Pulse Width Select bits<sup>(1, 2)</sup>  
111 = 128 NCOx clock periods  
110 = 64 NCOx clock periods  
101 = 32 NCOx clock periods  
100 = 16 NCOx clock periods  
011 = 8 NCOx clock periods  
010 = 4 NCOx clock periods  
001 = 2 NCOx clock periods  
000 = 1 NCOx clock periods
- bit 4-2    **Unimplemented:** Read as '0'
- bit 1-0    **NxCKS<1:0>:** NCOx Clock Source Select bits  
11 = NCO1CLK  
10 = LC1OUT  
01 = Fosc  
00 = HFINTOSC (16 MHz)

**Note 1:** NxPWS applies only when operating in Pulse Frequency mode.  
**Note 2:** If NCOx pulse width is greater than NCOx overflow period, operation is undeterminate.

# PIC12(L)F1501

## REGISTER 23-3: NCOxACC<sub>L</sub>: NCOx ACCUMULATOR REGISTER – LOW BYTE

|              |         |         |         |         |         |         |         |
|--------------|---------|---------|---------|---------|---------|---------|---------|
| R/W-0/0      | R/W-0/0 | R/W-0/0 | R/W-0/0 | R/W-0/0 | R/W-0/0 | R/W-0/0 | R/W-0/0 |
| NCOxACC<7:0> |         |         |         |         |         |         |         |
| bit 7        |         |         |         |         |         |         | bit 0   |

### Legend:

R = Readable bit                      W = Writable bit                      U = Unimplemented bit, read as '0'  
u = Bit is unchanged                      x = Bit is unknown                      -n/n = Value at POR and BOR/Value at all other Resets  
'1' = Bit is set                              '0' = Bit is cleared

bit 7-0                      **NCOxACC<7:0>**: NCOx Accumulator, low byte

## REGISTER 23-4: NCOxACC<sub>H</sub>: NCOx ACCUMULATOR REGISTER – HIGH BYTE

|               |         |         |         |         |         |         |         |
|---------------|---------|---------|---------|---------|---------|---------|---------|
| R/W-0/0       | R/W-0/0 | R/W-0/0 | R/W-0/0 | R/W-0/0 | R/W-0/0 | R/W-0/0 | R/W-0/0 |
| NCOxACC<15:8> |         |         |         |         |         |         |         |
| bit 7         |         |         |         |         |         |         | bit 0   |

### Legend:

R = Readable bit                      W = Writable bit                      U = Unimplemented bit, read as '0'  
u = Bit is unchanged                      x = Bit is unknown                      -n/n = Value at POR and BOR/Value at all other Resets  
'1' = Bit is set                              '0' = Bit is cleared

bit 7-0                      **NCOxACC<15:8>**: NCOx Accumulator, high byte

## REGISTER 23-5: NCOxACC<sub>U</sub>: NCOx ACCUMULATOR REGISTER – UPPER BYTE

|       |     |     |     |                |         |         |         |
|-------|-----|-----|-----|----------------|---------|---------|---------|
| U-0   | U-0 | U-0 | U-0 | R/W-0/0        | R/W-0/0 | R/W-0/0 | R/W-0/0 |
| —     | —   | —   | —   | NCOxACC<19:16> |         |         |         |
| bit 7 |     |     |     |                |         |         | bit 0   |

### Legend:

R = Readable bit                      W = Writable bit                      U = Unimplemented bit, read as '0'  
u = Bit is unchanged                      x = Bit is unknown                      -n/n = Value at POR and BOR/Value at all other Resets  
'1' = Bit is set                              '0' = Bit is cleared

bit 7-4                      **Unimplemented:** Read as '0'

bit 3-0                      **NCOxACC<19:16>**: NCOx Accumulator, upper byte

## REGISTER 23-6: NCOxINCL: NCOx INCREMENT REGISTER – LOW BYTE

|              |         |         |         |         |         |         |         |
|--------------|---------|---------|---------|---------|---------|---------|---------|
| R/W-0/0      | R/W-0/0 | R/W-0/0 | R/W-0/0 | R/W-0/0 | R/W-0/0 | R/W-0/0 | R/W-1/1 |
| NCOxINC<7:0> |         |         |         |         |         |         |         |
| bit 7        |         |         |         |         |         |         | bit 0   |

### Legend:

|                      |                      |   |
|----------------------|----------------------|---|
| R = Readable bit     | W = Writable bit     | U = Unimplemented bit, read as '0'                    |
| u = Bit is unchanged | x = Bit is unknown   | -n/n = Value at POR and BOR/Value at all other Resets |
| '1' = Bit is set     | '0' = Bit is cleared |   |

bit 7-0      **NCOxINC<7:0>**: NCOx Increment, low byte

## REGISTER 23-7: NCOxINCH: NCOx INCREMENT REGISTER – HIGH BYTE

|               |         |         |         |         |         |         |         |
|---------------|---------|---------|---------|---------|---------|---------|---------|
| R/W-0/0       | R/W-0/0 | R/W-0/0 | R/W-0/0 | R/W-0/0 | R/W-0/0 | R/W-0/0 | R/W-0/0 |
| NCOxINC<15:8> |         |         |         |         |         |         |         |
| bit 7         |         |         |         |         |         |         | bit 0   |

### Legend:

|                      |                      |   |
|----------------------|----------------------|---|
| R = Readable bit     | W = Writable bit     | U = Unimplemented bit, read as '0'                    |
| u = Bit is unchanged | x = Bit is unknown   | -n/n = Value at POR and BOR/Value at all other Resets |
| '1' = Bit is set     | '0' = Bit is cleared |   |

bit 7-0      **NCOxINC<15:8>**: NCOx Increment, high byte

# PIC12(L)F1501

**TABLE 23-1: SUMMARY OF REGISTERS ASSOCIATED WITH NCOx**

| Name     | Bit 7         | Bit 6    | Bit 5  | Bit 4  | Bit 3            | Bit 2  | Bit 1      | Bit 0   | Register on Page |
|----------|---------------|----------|--------|--------|------------------|--------|------------|---------|------------------|
| APFCON   | CWG1BSEL      | CWG1ASEL | —      | —      | T1GSEL           | —      | CLC1SEL    | NCO1SEL | 100              |
| INTCON   | GIE           | PEIE     | TMR0IE | INTE   | IOCIE            | TMR0IF | INTF       | IOCIF   | 66               |
| NCO1ACCH | NCO1ACC<15:8> |          |        |        |                  |        |            |         | 190              |
| NCO1ACCL | NCO1ACC<7:0>  |          |        |        |                  |        |            |         | 190              |
| NCO1ACCU | —             |          |        |        | NCO1ACC<19:16>   |        |            |         | 190              |
| NCO1CLK  | N1PWS<2:0>    |          |        | —      | —                | —      | N1CKS<1:0> |         | 189              |
| NCO1CON  | N1EN          | N1OE     | N1OUT  | N1POL  | —                | —      | —          | N1PFM   | 189              |
| NCO1INCH | NCO1INC<15:8> |          |        |        |                  |        |            |         | 191              |
| NCO1INCL | NCO1INC<7:0>  |          |        |        |                  |        |            |         | 191              |
| PIE2     | —             | —        | C1IE   | —      | —                | NCO1IE | —          | —       | 68               |
| PIR2     | —             | —        | C1IF   | —      | —                | NCO1IF | —          | —       | 71               |
| TRISA    | —             | —        | TRISA5 | TRISA4 | — <sup>(1)</sup> | TRISA2 | TRISA1     | TRISA0  | 102              |

**Legend:** x = unknown, u = unchanged, — = unimplemented read as '0', q = value depends on condition. Shaded cells are not used for ADC module.

**Note 1:** Unimplemented, read as '1'.



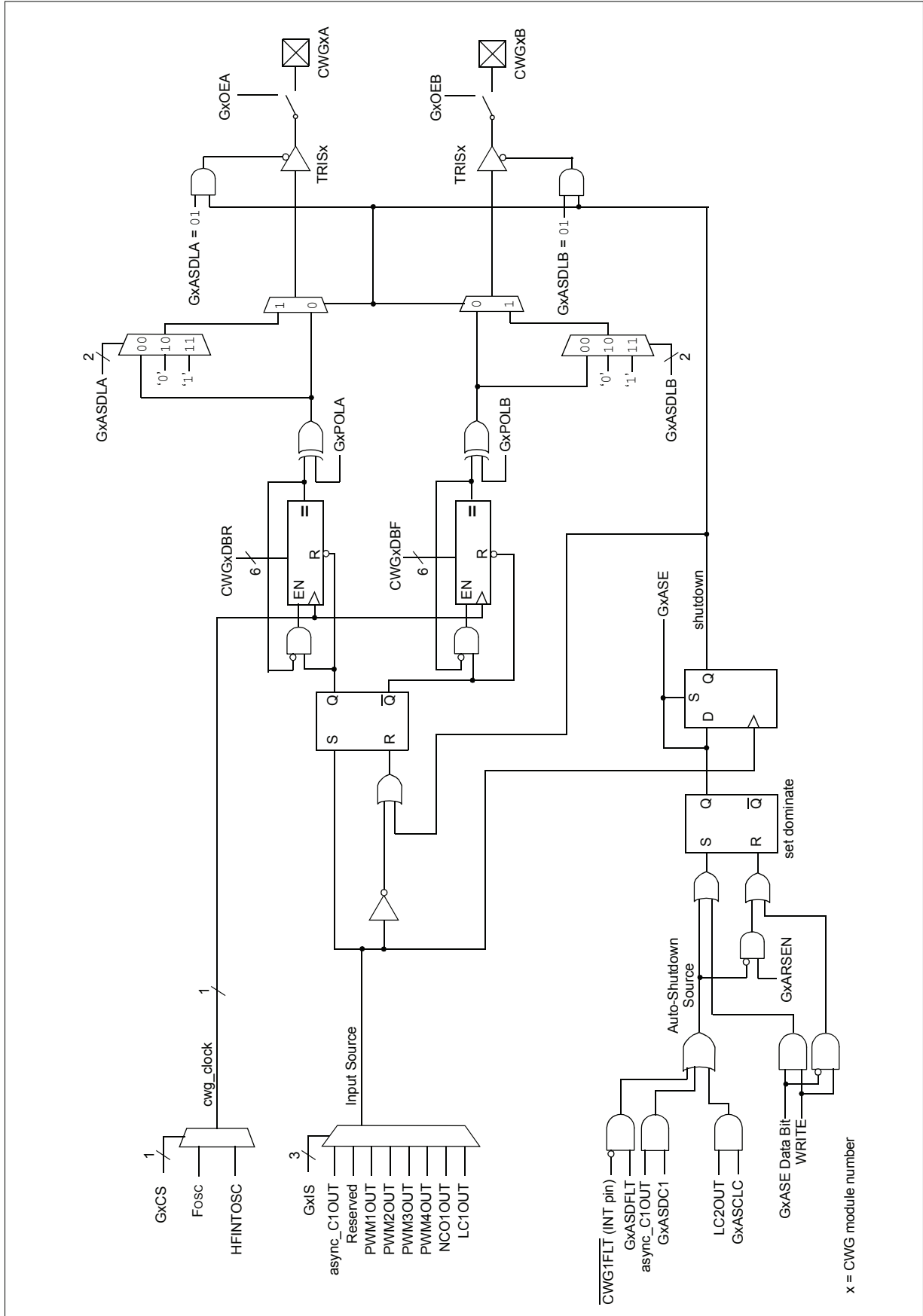
## 24.0 COMPLEMENTARY WAVEFORM GENERATOR (CWG) MODULE

The Complementary Waveform Generator (CWG) produces a complementary waveform with dead-band delay from a selection of input sources.

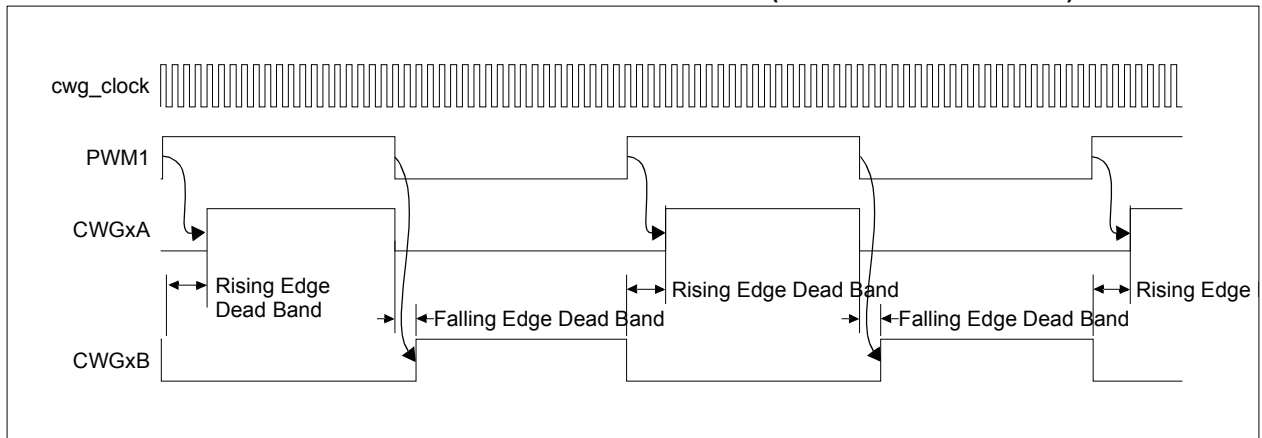
The CWG module has the following features:

- Selectable dead-band clock source control
- Selectable input sources
- Output enable control
- Output polarity control
- Dead-band control with independent 6-bit rising and falling edge dead-band counters
- Auto-shutdown control with:
  - Selectable shutdown sources
  - Auto-restart enable
  - Auto-shutdown pin override control

**FIGURE 24-1: SIMPLIFIED CWG BLOCK DIAGRAM**



**FIGURE 24-2: TYPICAL CWG OPERATION WITH PWM1 (NO AUTO-SHUTDOWN)**



# PIC12(L)F1501

---

## 24.1 Fundamental Operation

The CWG generates a two output complementary waveform from one of four selectable input sources.

The off-to-on transition of each output can be delayed from the on-to-off transition of the other output, thereby, creating a time delay immediately where neither output is driven. This is referred to as dead time and is covered in [Section 24.5 “Dead-Band Control”](#). A typical operating waveform, with dead band, generated from a single input signal is shown in [Figure 24-2](#).

It may be necessary to guard against the possibility of circuit faults or a feedback event arriving too late or not at all. In this case, the active drive must be terminated before the Fault condition causes damage. This is referred to as auto-shutdown and is covered in [Section 24.9 “Auto-shutdown Control”](#).

## 24.2 Clock Source

The CWG module allows the following clock sources to be selected:

- Fosc (system clock)
- HFINTOSC (16 MHz only)

The clock sources are selected using the G1CS0 bit of the CWGxCON0 register ([Register 24-1](#)).

## 24.3 Selectable Input Sources

The CWG can generate the complementary waveform for the following input sources:

- async\_C1OUT
- PWM1
- PWM2
- PWM3
- PWM4
- N1OUT
- LC1OUT

The input sources are selected using the GxIS<2:0> bits in the CWGxCON1 register ([Register 24-2](#)).

## 24.4 Output Control

Immediately after the CWG module is enabled, the complementary drive is configured with both CWGxA and CWGxB drives cleared.

### 24.4.1 OUTPUT ENABLES

Each CWG output pin has individual output enable control. Output enables are selected with the GxOEA and GxOEB bits of the CWGxCON0 register. When an output enable control is cleared, the module asserts no control over the pin. When an output enable is set, the override value or active PWM waveform is applied to the pin per the port priority selection. The output pin enables are dependent on the module enable bit, GxEN. When GxEN is cleared, CWG output enables and CWG drive levels have no effect.

### 24.4.2 POLARITY CONTROL

The polarity of each CWG output can be selected independently. When the output polarity bit is set, the corresponding output is active high. Clearing the output polarity bit configures the corresponding output as active low. However, polarity does not affect the override levels. Output polarity is selected with the GxPOLA and GxPOLB bits of the CWGxCON0 register.

## 24.5 Dead-Band Control

Dead-band control provides for non-overlapping output signals to prevent shoot-through current in power switches. The CWG contains two 6-bit dead-band counters. One dead-band counter is used for the rising edge of the input source control. The other is used for the falling edge of the input source control.

Dead band is timed by counting CWG clock periods from zero up to the value in the rising or falling dead-band counter registers. See CWGxDBR and CWGxDBF registers ([Register 24-4](#) and [Register 24-5](#), respectively).

## 24.6 Rising Edge Dead Band

The rising edge dead band delays the turn-on of the CWGxA output from when the CWGxB output is turned off. The rising edge dead-band time starts when the rising edge of the input source signal goes true. When this happens, the CWGxB output is immediately turned off and the rising edge dead-band delay time starts. When the rising edge dead-band delay time is reached, the CWGxA output is turned on.

The CWGxDBR register sets the duration of the dead-band interval on the rising edge of the input source signal. This duration is from 0 to 64 counts of dead band.

Dead band is always counted off the edge on the input source signal. A count of 0 (zero) indicates that no dead band is present.

If the input source signal is not present for enough time for the count to be completed, no output will be seen on the respective output.

## 24.7 Falling Edge Dead Band

The falling edge dead band delays the turn-on of the CWGxB output from when the CWGxA output is turned off. The falling edge dead-band time starts when the falling edge of the input source goes true. When this happens, the CWGxA output is immediately turned off and the falling edge dead-band delay time starts. When the falling edge dead-band delay time is reached, the CWGxB output is turned on.

The CWGxDBF register sets the duration of the dead-band interval on the falling edge of the input source signal. This duration is from 0 to 64 counts of dead band.

Dead band is always counted off the edge on the input source signal. A count of 0 (zero) indicates that no dead band is present.

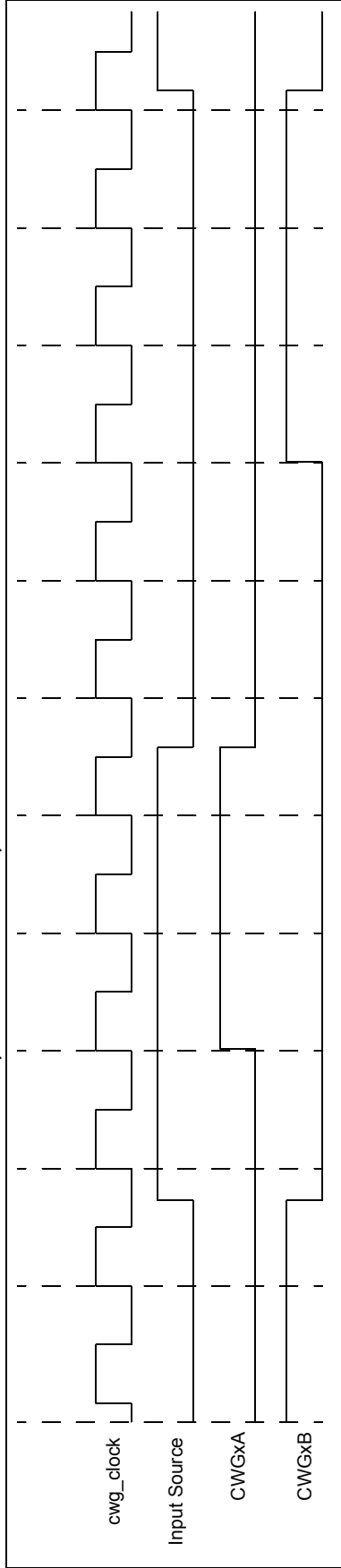
If the input source signal is not present for enough time for the count to be completed, no output will be seen on the respective output.

Refer to [Figure 24-3](#) and [Figure 24-4](#) for examples.

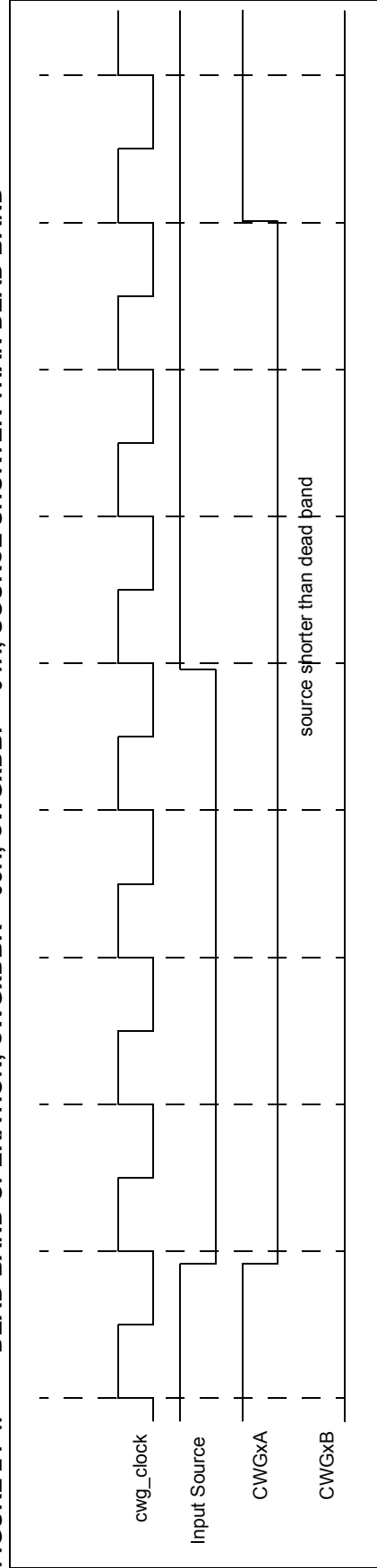
## 24.8 Dead-Band Uncertainty

When the rising and falling edges of the input source triggers the dead-band counters, the input may be asynchronous. This will create some uncertainty in the dead-band time delay. The maximum uncertainty is equal to one CWG clock period. Refer to [Equation 24-1](#) for more detail.

**FIGURE 24-3: DEAD-BAND OPERATION, CWGxDDBR = 01H, CWGxDDBF = 02H**



**FIGURE 24-4: DEAD-BAND OPERATION, CWGxDDBR = 03H, CWGxDDBF = 04H, SOURCE SHORTER THAN DEAD BAND**



## EQUATION 24-1: DEAD-BAND UNCERTAINTY

$$T_{DEADBAND\_UNCERTAINTY} = \frac{1}{F_{cwg\_clock}}$$

Example:

$$F_{cwg\_clock} = 16 \text{ MHz}$$

Therefore:

$$\begin{aligned} T_{DEADBAND\_UNCERTAINTY} &= \frac{1}{F_{cwg\_clock}} \\ &= \frac{1}{16 \text{ MHz}} \\ &= 625 \text{ ns} \end{aligned}$$

# PIC12(L)F1501

---

## 24.9 Auto-shutdown Control

Auto-shutdown is a method to immediately override the CWG output levels with specific overrides that allow for safe shutdown of the circuit. The shutdown state can be either cleared automatically or held until cleared by software.

### 24.9.1 SHUTDOWN

The shutdown state can be entered by either of the following two methods:

- Software generated
- External Input

#### 24.9.1.1 Software Generated Shutdown

Setting the GxASE bit of the CWGxCON2 register will force the CWG into the shutdown state.

When auto-restart is disabled, the shutdown state will persist as long as the GxASE bit is set.

When auto-restart is enabled, the GxASE bit will clear automatically and resume operation on the next rising edge event. See [Figure 24-6](#).

#### 24.9.1.2 External Input Source

External shutdown inputs provide the fastest way to safely suspend CWG operation in the event of a Fault condition. When any of the selected shutdown inputs goes active, the CWG outputs will immediately go to the selected override levels without software delay. Any combination of two input sources can be selected to cause a shutdown condition. The sources are:

- `async_C1OUT`
- `LC2OUT`
- `CWG1FLT`

Shutdown inputs are selected using the GxASDS0 and GxASDS1 bits of the CWGxCON2 register. ([Register 24-3](#)).

|   |
|---|
| <p><b>Note:</b> Shutdown inputs are level sensitive, not edge sensitive. The shutdown state cannot be cleared, except by disabling auto-shutdown, as long as the shutdown input level persists.</p> |
|---|

## 24.10 Operation During Sleep

The CWG module operates independently from the system clock and will continue to run during Sleep, provided that the clock and input sources selected remain active.

The HFINTOSC remains active during Sleep, provided that the CWG module is enabled, the input source is active, and the HFINTOSC is selected as the clock source, regardless of the system clock source selected.

In other words, if the HFINTOSC is simultaneously selected as the system clock and the CWG clock source, when the CWG is enabled and the input source is active, the CPU will go idle during Sleep, but the CWG will continue to operate and the HFINTOSC will remain active.

This will have a direct effect on the Sleep mode current.

## 24.11 Alternate Pin Locations

This module incorporates I/O pins that can be moved to other locations with the use of the alternate pin function register, APFCON. To determine which pins can be moved and what their default locations are upon a Reset, see [Section 11.1 “Alternate Pin Function”](#) for more information.



## 24.12 Configuring the CWG

The following steps illustrate how to properly configure the CWG to ensure a synchronous start:

1. Ensure that the TRIS control bits corresponding to CWGxA and CWGxB are set so that both are configured as inputs.
2. Clear the GxEN bit, if not already cleared.
3. Set desired dead-band times with the CWGxDBR and CWGxDBF registers.
4. Setup the following controls in CWGxCON2 auto-shutdown register:
  - Select desired shutdown source.
  - Select both output overrides to the desired levels (this is necessary even if not using auto-shutdown because start-up will be from a shutdown state).
  - Set the GxASE bit and clear the GxARSEN bit.
5. Select the desired input source using the CWGxCON1 register.
6. Configure the following controls in CWGxCON0 register:
  - Select desired clock source.
  - Select the desired output polarities.
  - Set the output enables for the outputs to be used.
7. Set the GxEN bit.
8. Clear TRIS control bits corresponding to CWGxA and CWGxB to be used to configure those pins as outputs.
9. If auto-restart is to be used, set the GxARSEN bit and the GxASE bit will be cleared automatically. Otherwise, clear the GxASE bit to start the CWG.

### 24.12.1 PIN OVERRIDE LEVELS

The levels driven to the output pins, while the shutdown input is true, are controlled by the GxASDLA and GxASDLB bits of the CWGxCON2 register (Register 24-3). GxASDLA controls the CWG1A override level and GxASDLB controls the CWG1B override level. The control bit logic level corresponds to the output logic drive level while in the shutdown state. The polarity control does not apply to the override level.

### 24.12.2 AUTO-SHUTDOWN RESTART

After an auto-shutdown event has occurred, there are two ways to have resume operation:

- Software controlled
- Auto-restart

The restart method is selected with the GxARSEN bit of the CWGxCON2 register. Waveforms of software controlled and automatic restarts are shown in Figure 24-5 and Figure 24-6.

#### 24.12.2.1 Software Controlled Restart

When the GxARSEN bit of the CWGxCON2 register is cleared, the CWG must be restarted after an auto-shutdown event by software.

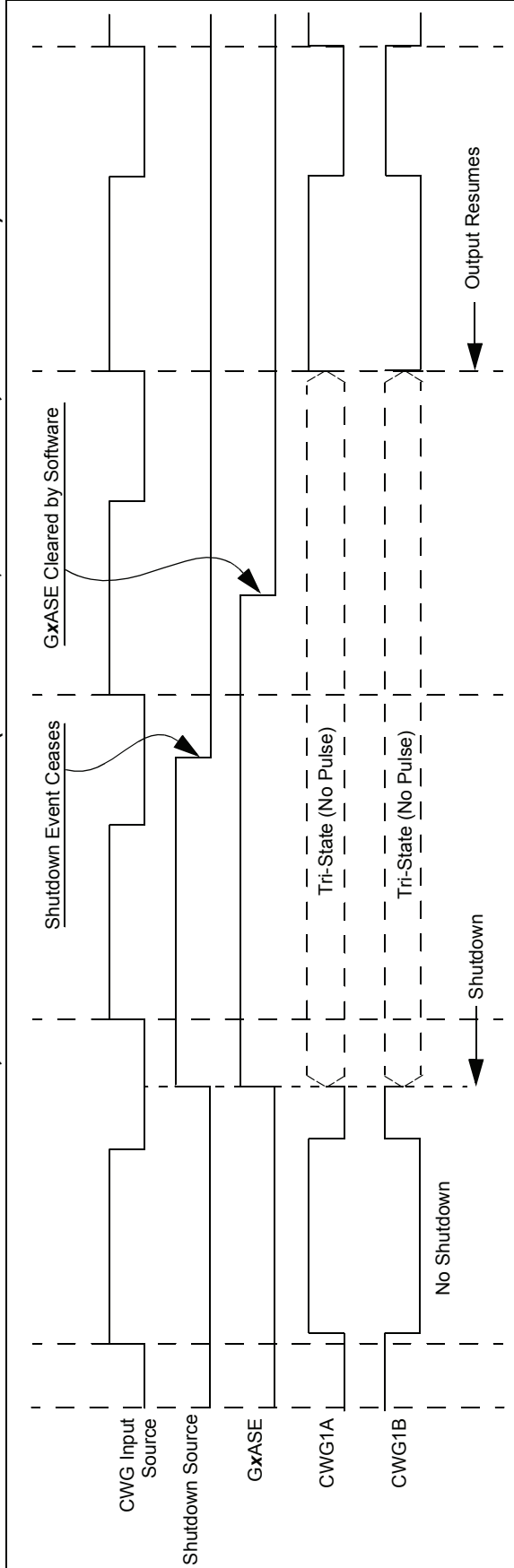
Clearing the shutdown state requires all selected shutdown inputs to be low, otherwise the GxASE bit will remain set. The overrides will remain in effect until the first rising edge event after the GxASE bit is cleared. The CWG will then resume operation.

#### 24.12.2.2 Auto-Restart

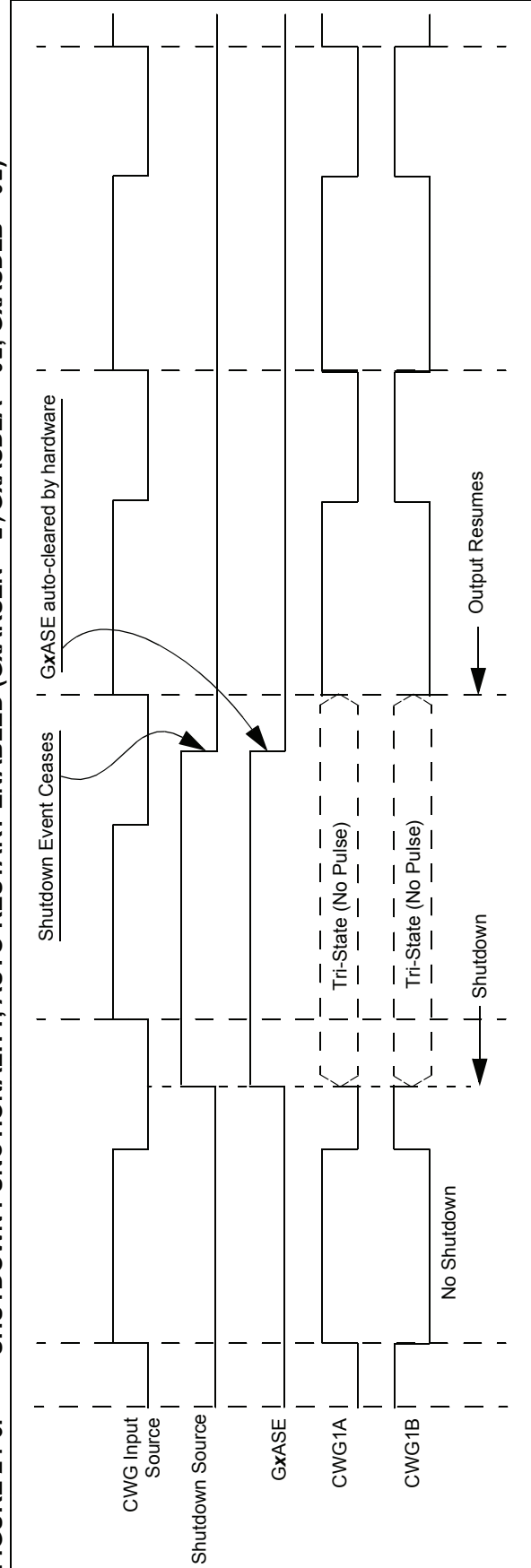
When the GxARSEN bit of the CWGxCON2 register is set, the CWG will restart from the auto-shutdown state automatically.

The GxASE bit will clear automatically when all shutdown sources go low. The overrides will remain in effect until the first rising edge event after the GxASE bit is cleared. The CWG will then resume operation.

**FIGURE 24-5: SHUTDOWN FUNCTIONALITY, AUTO-RESTART DISABLED (GxARSEN = 0, GxASDLA = 01, GxASDLB = 01)**



**FIGURE 24-6: SHUTDOWN FUNCTIONALITY, AUTO-RESTART ENABLED (GxARSEN = 1, GxASDLA = 01, GxASDLB = 01)**



## 24.13 CWG Control Registers

### REGISTER 24-1: CWGxCON0: CWG CONTROL REGISTER 0

|         |         |         |         |         |     |     |         |
|---------|---------|---------|---------|---------|-----|-----|---------|
| R/W-0/0 | R/W-0/0 | R/W-0/0 | R/W-0/0 | R/W-0/0 | U-0 | U-0 | R/W-0/0 |
| GxEN    | GxOEB   | GxOEA   | GxPOLB  | GxPOLA  | —   | —   | GxCS0   |
| bit 7   |         |         |         |         |     |     | bit 0   |

#### Legend:

R = Readable bit

W = Writable bit

U = Unimplemented bit, read as '0'

u = Bit is unchanged

x = Bit is unknown

-n/n = Value at POR and BOR/Value at all other Resets

'1' = Bit is set

'0' = Bit is cleared

q = Value depends on condition

- bit 7      **GxEN:** CWGx Enable bit  
           1 = Module is enabled  
           0 = Module is disabled
- bit 6      **GxOEB:** CWGxB Output Enable bit  
           1 = CWGxB is available on appropriate I/O pin  
           0 = CWGxB is not available on appropriate I/O pin
- bit 5      **GxOEA:** CWGxA Output Enable bit  
           1 = CWGxA is available on appropriate I/O pin  
           0 = CWGxA is not available on appropriate I/O pin
- bit 4      **GxPOLB:** CWGxB Output Polarity bit  
           1 = Output is inverted polarity  
           0 = Output is normal polarity
- bit 3      **GxPOLA:** CWGxA Output Polarity bit  
           1 = Output is inverted polarity  
           0 = Output is normal polarity
- bit 2-1    **Unimplemented:** Read as '0'
- bit 0      **GxCS0:** CWGx Clock Source bit  
           1 = HFINTOSC  
           0 = FOSC

# PIC12(L)F1501

## REGISTER 24-2: CWGxCON1: CWG CONTROL REGISTER 1

|              |         |              |         |     |           |         |         |
|--------------|---------|--------------|---------|-----|-----------|---------|---------|
| R/W-x/u      | R/W-x/u | R/W-x/u      | R/W-x/u | U-0 | R/W-0/0   | R/W-0/0 | R/W-0/0 |
| GxASDLB<1:0> |         | GxASDLA<1:0> |         | —   | GxIS<2:0> |         |         |
| bit 7        |         |              |         |     | bit 0     |         |         |

### Legend:

|                      |                      |   |
|----------------------|----------------------|---|
| R = Readable bit     | W = Writable bit     | U = Unimplemented bit, read as '0'                    |
| u = Bit is unchanged | x = Bit is unknown   | -n/n = Value at POR and BOR/Value at all other Resets |
| '1' = Bit is set     | '0' = Bit is cleared | q = Value depends on condition                        |

- bit 7-6      **GxASDLB<1:0>**: CWGx Shutdown State for CWGxB  
 When an auto shutdown event is present (GxASE = 1):  
 11 = CWGxB pin is driven to '1', regardless of the setting of the GxPOLB bit.  
 10 = CWGxB pin is driven to '0', regardless of the setting of the GxPOLB bit.  
 01 = CWGxB pin is tri-stated  
 00 = CWGxB pin is driven to it's inactive state after the selected dead-band interval. GxPOLB still will control the polarity of the output.
- bit 5-4      **GxASDLA<1:0>**: CWGx Shutdown State for CWGxA  
 When an auto shutdown event is present (GxASE = 1):  
 11 = CWGxA pin is driven to '1', regardless of the setting of the GxPOLA bit.  
 10 = CWGxA pin is driven to '0', regardless of the setting of the GxPOLA bit.  
 01 = CWGxA pin is tri-stated  
 00 = CWGxA pin is driven to it's inactive state after the selected dead-band interval. GxPOLA still will control the polarity of the output.
- bit 3        **Unimplemented**: Read as '0'
- bit 2-0      **GxIS<2:0>**: CWGx Input Source Select bits  
 111 = LC1OUT  
 110 = N1OUT  
 101 = PWM4OUT  
 100 = PWM3OUT  
 011 = PWM2OUT  
 010 = PWM1OUT  
 001 = async\_C1OUT  
 000 = Reserved

## REGISTER 24-3: CWGxCON2: CWG CONTROL REGISTER 2

|         |         |     |     |     |         |          |           |
|---------|---------|-----|-----|-----|---------|----------|-----------|
| R/W-0/0 | R/W-0/0 | U-0 | U-0 | U-0 | R/W-0/0 | R/W-0/0  | R/W-0/0   |
| G1ASE   | G1ARSEN | —   | —   | —   | G1ASDC1 | G1ASDFLT | G1ASDCLC2 |
| bit 7   |         |     |     |     |         | bit 0    |           |

### Legend:

R = Readable bit

W = Writable bit

U = Unimplemented bit, read as '0'

u = Bit is unchanged

x = Bit is unknown

-n/n = Value at POR and BOR/Value at all other Resets

'1' = Bit is set

'0' = Bit is cleared

q = Value depends on condition

- bit 7      **G1ASE:** Auto-Shutdown Event Status bit  
 1 = An auto-shutdown event has occurred  
 0 = No auto-shutdown event has occurred
- bit 6      **G1ARSEN:** Auto-Restart Enable bit  
 1 = Auto-restart is enabled  
 0 = Auto-restart is disabled
- bit 5-3    **Unimplemented:** Read as '0'
- bit 2      **G1ASDC1:** CWG Auto-shutdown on Comparator 1 Enable bit  
 1 = Shutdown when Comparator 1 output is high  
 0 = Comparator 1 output has no effect on shutdown
- bit 1      **G1ASDFLT:** CWG Auto-shutdown on FLT Enable bit  
 1 = Shutdown when  $\overline{\text{CWG1FLT}}$  input is low  
 0 =  $\overline{\text{CWG1FLT}}$  input has no effect on shutdown
- bit 0      **G1ASDCLC2:** CWG Auto-shutdown on CLC2 Enable bit  
 1 = Shutdown when LC2OUT is high  
 0 = LC2OUT has no effect on shutdown

# PIC12(L)F1501

## REGISTER 24-4: CWGxDBR: COMPLEMENTARY WAVEFORM GENERATOR (CWGx) RISING DEAD-BAND COUNT REGISTER

| U-0   | U-0 | R/W-x/u      | R/W-x/u | R/W-x/u | R/W-x/u | R/W-x/u | R/W-x/u |
|-------|-----|--------------|---------|---------|---------|---------|---------|
| —     | —   | CWGxDBR<5:0> |         |         |         |         |         |
| bit 7 |     |              |         |         |         |         | bit 0   |

### Legend:

|                      |                      |   |
|----------------------|----------------------|---|
| R = Readable bit     | W = Writable bit     | U = Unimplemented bit, read as '0'                    |
| u = Bit is unchanged | x = Bit is unknown   | -n/n = Value at POR and BOR/Value at all other Resets |
| '1' = Bit is set     | '0' = Bit is cleared | q = Value depends on condition                        |

bit 7-6      **Unimplemented:** Read as '0'

bit 5-0      **CWGxDBR<5:0>:** Complementary Waveform Generator (CWGx) Rising counts

11 1111 = 63-64 counts of dead band

11 1110 = 62-63 counts of dead band

•  
•  
•

00 0010 = 2-3 counts of dead band

00 0001 = 1-2 counts of dead band

00 0000 = 0 counts of dead band

## REGISTER 24-5: CWGxDBF: COMPLEMENTARY WAVEFORM GENERATOR (CWGx) FALLING DEAD-BAND COUNT REGISTER

| U-0   | U-0 | R/W-x/u      | R/W-x/u | R/W-x/u | R/W-x/u | R/W-x/u | R/W-x/u |
|-------|-----|--------------|---------|---------|---------|---------|---------|
| —     | —   | CWGxDBF<5:0> |         |         |         |         |         |
| bit 7 |     |              |         |         |         |         | bit 0   |

### Legend:

|                      |                      |   |
|----------------------|----------------------|---|
| R = Readable bit     | W = Writable bit     | U = Unimplemented bit, read as '0'                    |
| u = Bit is unchanged | x = Bit is unknown   | -n/n = Value at POR and BOR/Value at all other Resets |
| '1' = Bit is set     | '0' = Bit is cleared | q = Value depends on condition                        |

bit 7-6      **Unimplemented:** Read as '0'

bit 5-0      **CWGxDBF<5:0>:** Complementary Waveform Generator (CWGx) Falling counts

11 1111 = 63-64 counts of dead band

11 1110 = 62-63 counts of dead band

•  
•  
•

00 0010 = 2-3 counts of dead band

00 0001 = 1-2 counts of dead band

00 0000 = 0 counts of dead band. Dead-band generation is bypassed.

## 24.13.1 ALTERNATE PIN LOCATIONS

This module incorporates I/O pins that can be moved to other locations with the use of the alternate pin function register, APFCON. To determine which pins can be moved and what their default locations are upon a Reset, see [Section 11.1 “Alternate Pin Function”](#) for more information.

**TABLE 24-1: SUMMARY OF REGISTERS ASSOCIATED WITH CWG**

| Name     | Bit 7        | Bit 6    | Bit 5        | Bit 4  | Bit 3            | Bit 2   | Bit 1     | Bit 0     | Register on Page |
|----------|--------------|----------|--------------|--------|------------------|---------|-----------|-----------|------------------|
| ANSELA   | —            | —        | —            | ANSA4  | —                | ANSA2   | ANSA1     | ANSA0     | 103              |
| APFCON   | CWG1BSEL     | CWG1ASEL | —            | —      | T1GSEL           | —       | CLC1SEL   | NCO1SEL   | 100              |
| CWG1CON0 | G1EN         | G1OEB    | G1OEA        | G1POLB | G1POLA           | —       | —         | G1CS0     | 203              |
| CWG1CON1 | G1ASDLB<1:0> |          | G1ASDLA<1:0> |        | —                | —       | G1IS<1:0> |           | 204              |
| CWG1CON2 | G1ASE        | G1ARSEN  | —            | —      | —                | G1ASDC1 | G1ASDFLT  | G1ASDCLC2 | 205              |
| CWG1DBF  | —            | —        | CWG1DBF<5:0> |        |                  |         |           |           | 206              |
| CWG1DBR  | —            | —        | CWG1DBR<5:0> |        |                  |         |           |           | 206              |
| TRISA    | —            | —        | TRISA5       | TRISA4 | — <sup>(1)</sup> | TRISA2  | TRISA1    | TRISA0    | 102              |

**Legend:** x = unknown, u = unchanged, - = unimplemented locations read as '0'. Shaded cells are not used by CWG.

**Note 1:** Unimplemented, read as '1'.

# PIC12(L)F1501

---

NOTES:



## 25.0 IN-CIRCUIT SERIAL PROGRAMMING™ (ICSP™)

ICSP™ programming allows customers to manufacture circuit boards with unprogrammed devices. Programming can be done after the assembly process, allowing the device to be programmed with the most recent firmware or a custom firmware. Five pins are needed for ICSP™ programming:

- ICSPCLK
- ICSPDAT
- MCLR/VPP
- VDD
- VSS

In Program/Verify mode the program memory, user IDs and the Configuration Words are programmed through serial communications. The ICSPDAT pin is a bidirectional I/O used for transferring the serial data and the ICSPCLK pin is the clock input. For more information on ICSP™ refer to the “*PIC16193X/PIC16LF193X Memory Programming Specification*” (DS41360).

### 25.1 High-Voltage Programming Entry Mode

The device is placed into High-Voltage Programming Entry mode by holding the ICSPCLK and ICSPDAT pins low then raising the voltage on MCLR/VPP to VIH.

### 25.2 Low-Voltage Programming Entry Mode

The Low-Voltage Programming Entry mode allows the PIC® Flash MCUs to be programmed using VDD only, without high voltage. When the LVP bit of Configuration Words is set to ‘1’, the low-voltage ICSP programming entry is enabled. To disable the Low-Voltage ICSP mode, the LVP bit must be programmed to ‘0’.

Entry into the Low-Voltage Programming Entry mode requires the following steps:

1. MCLR is brought to VIL.
2. A 32-bit key sequence is presented on ICSPDAT, while clocking ICSPCLK.

Once the key sequence is complete, MCLR must be held at VIL for as long as Program/Verify mode is to be maintained.

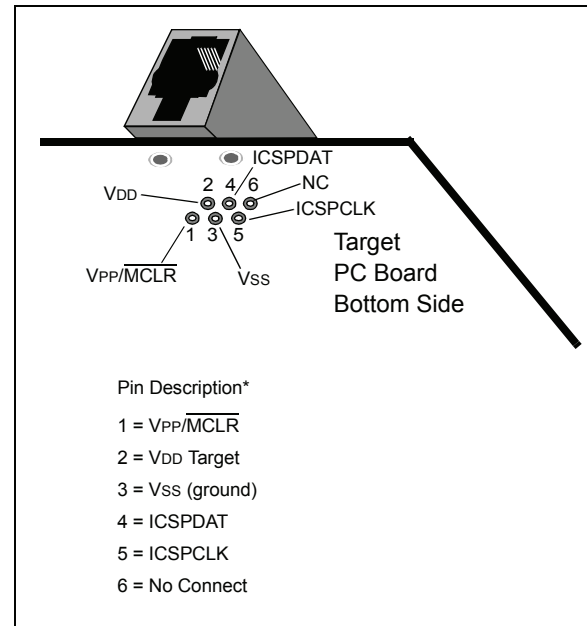
If low-voltage programming is enabled (LVP = 1), the MCLR Reset function is automatically enabled and cannot be disabled. See **Section MCLR** for more information.

The LVP bit can only be reprogrammed to ‘0’ by using the High-Voltage Programming mode.

## 25.3 Common Programming Interfaces

Connection to a target device is typically done through an ICSP™ header. A commonly found connector on development tools is the RJ-11 in the 6P6C (6 pin, 6 connector) configuration. See [Figure 25-1](#).

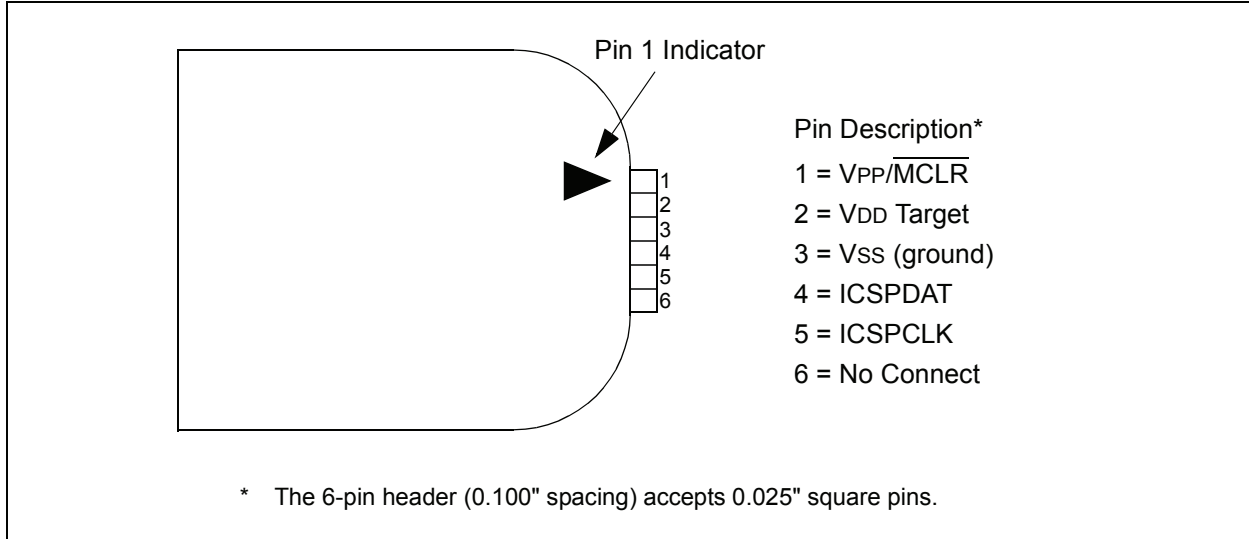
**FIGURE 25-1: ICD RJ-11 STYLE CONNECTOR INTERFACE**



Another connector often found in use with the PICkit™ programmers is a standard 6-pin header with 0.1 inch spacing. Refer to [Figure 25-2](#).

# PIC12(L)F1501

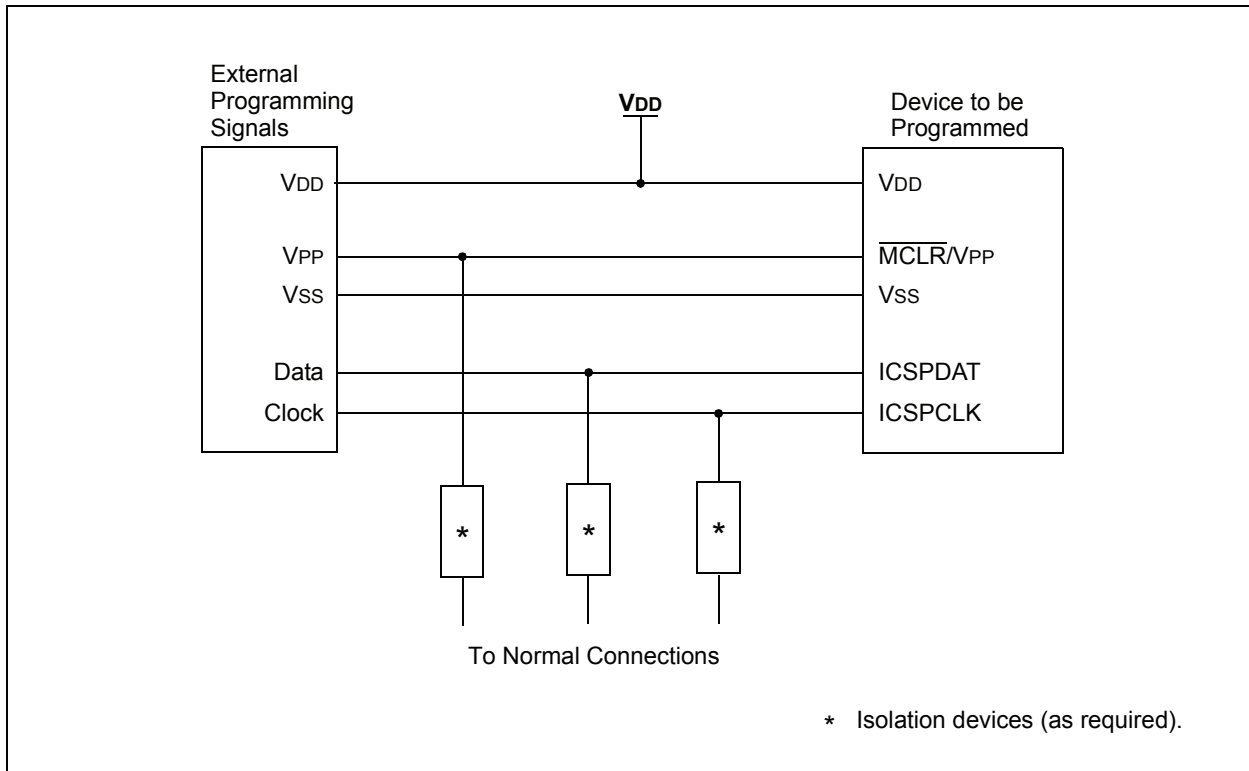
**FIGURE 25-2: PICKIT™ PROGRAMMER STYLE CONNECTOR INTERFACE**



For additional interface recommendations, refer to your specific device programmer manual prior to PCB design.

It is recommended that isolation devices be used to separate the programming pins from other circuitry. The type of isolation is highly dependent on the specific application and may include devices such as resistors, diodes, or even jumpers. See [Figure 25-3](#) for more information.

**FIGURE 25-3: TYPICAL CONNECTION FOR ICSP™ PROGRAMMING**



## 26.0 INSTRUCTION SET SUMMARY

Each instruction is a 14-bit word containing the operation code (opcode) and all required operands. The op codes are broken into three broad categories.

- Byte Oriented
- Bit Oriented
- Literal and Control

The literal and control category contains the most varied instruction word format.

Table 26-3 lists the instructions recognized by the MPASM™ assembler.

All instructions are executed within a single instruction cycle, with the following exceptions, which may take two or three cycles:

- Subroutine takes two cycles (CALL, CALLW)
- Returns from interrupts or subroutines take two cycles (RETURN, RETLW, RETFIE)
- Program branching takes two cycles (GOTO, BRA, BRW, BTFSS, BTFSC, DECFSZ, INCSFZ)
- One additional instruction cycle will be used when any instruction references an indirect file register and the file select register is pointing to program memory.

One instruction cycle consists of 4 oscillator cycles; for an oscillator frequency of 4 MHz, this gives a nominal instruction execution rate of 1 MHz.

All instruction examples use the format '0xhh' to represent a hexadecimal number, where 'h' signifies a hexadecimal digit.

## 26.1 Read-Modify-Write Operations

Any instruction that specifies a file register as part of the instruction performs a Read-Modify-Write (R-M-W) operation. The register is read, the data is modified, and the result is stored according to either the instruction, or the destination designator 'd'. A read operation is performed on a register even if the instruction writes to that register.

**TABLE 26-1: OPCODE FIELD DESCRIPTIONS**

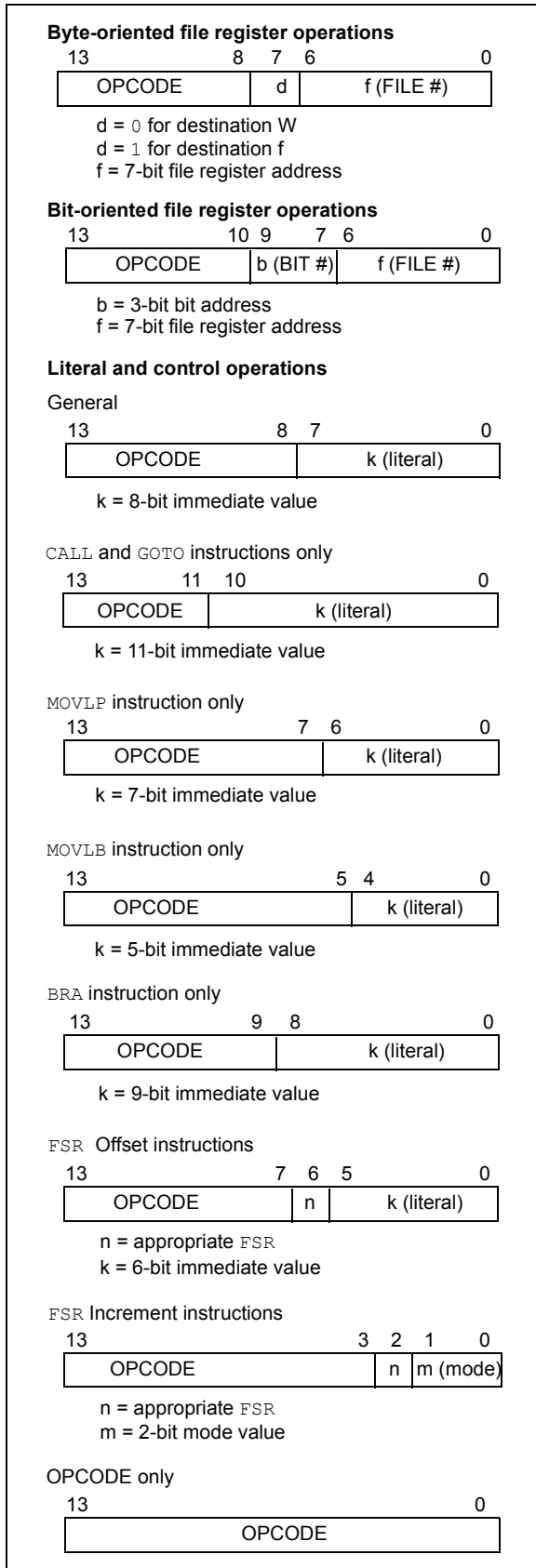
| Field | Description   |
|-------|---|
| f     | Register file address (0x00 to 0x7F)  |
| W     | Working register (accumulator)  |
| b     | Bit address within an 8-bit file register   |
| k     | Literal field, constant data or label   |
| x     | Don't care location (= 0 or 1). The assembler will generate code with x = 0. It is the recommended form of use for compatibility with all Microchip software tools. |
| d     | Destination select; d = 0: store result in W, d = 1: store result in file register f. Default is d = 1.   |
| n     | FSR or INDF number. (0-1)   |
| mm    | Pre-post increment-decrement mode selection   |

**TABLE 26-2: ABBREVIATION DESCRIPTIONS**

| Field           | Description     |
|-----------------|-----------------|
| PC              | Program Counter |
| $\overline{TO}$ | Time-out bit    |
| C               | Carry bit       |
| DC              | Digit carry bit |
| Z               | Zero bit        |
| $\overline{PD}$ | Power-down bit  |

# PIC12(L)F1501

**FIGURE 26-1: GENERAL FORMAT FOR INSTRUCTIONS**



**TABLE 26-3: PIC12(L)F1501 ENHANCED INSTRUCTION SET**

| Mnemonic,<br>Operands                         | Description | Cycles                        | 14-Bit Opcode |     |      | Status<br>Affected | Notes |          |      |
|---|-------------|-------------------------------|---------------|-----|------|--------------------|-------|----------|------|
|   |             |                               | MSb           | LSb |      |                    |       |          |      |
| <b>BYTE-ORIENTED FILE REGISTER OPERATIONS</b> |             |                               |               |     |      |                    |       |          |      |
| ADDWF   | f, d        | Add W and f                   | 1             | 00  | 0111 | dfff               | ffff  | C, DC, Z | 2    |
| ADDWFC  | f, d        | Add with Carry W and f        | 1             | 11  | 1101 | dfff               | ffff  | C, DC, Z | 2    |
| ANDWF   | f, d        | AND W with f                  | 1             | 00  | 0101 | dfff               | ffff  | Z        | 2    |
| ASRF  | f, d        | Arithmetic Right Shift        | 1             | 11  | 0111 | dfff               | ffff  | C, Z     | 2    |
| LSLF  | f, d        | Logical Left Shift            | 1             | 11  | 0101 | dfff               | ffff  | C, Z     | 2    |
| LSRF  | f, d        | Logical Right Shift           | 1             | 11  | 0110 | dfff               | ffff  | C, Z     | 2    |
| CLRF  | f           | Clear f                       | 1             | 00  | 0001 | 1fff               | ffff  | Z        | 2    |
| CLRWF   | –           | Clear W                       | 1             | 00  | 0001 | 0000               | 00xx  | Z        | 2    |
| COMF  | f, d        | Complement f                  | 1             | 00  | 1001 | dfff               | ffff  | Z        | 2    |
| DECF  | f, d        | Decrement f                   | 1             | 00  | 0011 | dfff               | ffff  | Z        | 2    |
| INCF  | f, d        | Increment f                   | 1             | 00  | 1010 | dfff               | ffff  | Z        | 2    |
| IORWF   | f, d        | Inclusive OR W with f         | 1             | 00  | 0100 | dfff               | ffff  | Z        | 2    |
| MOVF  | f, d        | Move f                        | 1             | 00  | 1000 | dfff               | ffff  | Z        | 2    |
| MOVWF   | f           | Move W to f                   | 1             | 00  | 0000 | 1fff               | ffff  | Z        | 2    |
| RLF   | f, d        | Rotate Left f through Carry   | 1             | 00  | 1101 | dfff               | ffff  | C        | 2    |
| RRF   | f, d        | Rotate Right f through Carry  | 1             | 00  | 1100 | dfff               | ffff  | C        | 2    |
| SUBWF   | f, d        | Subtract W from f             | 1             | 00  | 0010 | dfff               | ffff  | C, DC, Z | 2    |
| SUBWFB  | f, d        | Subtract with Borrow W from f | 1             | 11  | 1011 | dfff               | ffff  | C, DC, Z | 2    |
| SWAPF   | f, d        | Swap nibbles in f             | 1             | 00  | 1110 | dfff               | ffff  | Z        | 2    |
| XORWF   | f, d        | Exclusive OR W with f         | 1             | 00  | 0110 | dfff               | ffff  | Z        | 2    |
| <b>BYTE ORIENTED SKIP OPERATIONS</b>          |             |                               |               |     |      |                    |       |          |      |
| DECFSZ  | f, d        | Decrement f, Skip if 0        | 1(2)          | 00  | 1011 | dfff               | ffff  |          | 1, 2 |
| INCFSZ  | f, d        | Increment f, Skip if 0        | 1(2)          | 00  | 1111 | dfff               | ffff  |          | 1, 2 |
| <b>BIT-ORIENTED FILE REGISTER OPERATIONS</b>  |             |                               |               |     |      |                    |       |          |      |
| BCF   | f, b        | Bit Clear f                   | 1             | 01  | 00bb | bfff               | ffff  |          | 2    |
| BSF   | f, b        | Bit Set f                     | 1             | 01  | 01bb | bfff               | ffff  |          | 2    |
| <b>BIT-ORIENTED SKIP OPERATIONS</b>           |             |                               |               |     |      |                    |       |          |      |
| BTFSC   | f, b        | Bit Test f, Skip if Clear     | 1 (2)         | 01  | 10bb | bfff               | ffff  |          | 1, 2 |
| BTFSS   | f, b        | Bit Test f, Skip if Set       | 1 (2)         | 01  | 11bb | bfff               | ffff  |          | 1, 2 |
| <b>LITERAL OPERATIONS</b>                     |             |                               |               |     |      |                    |       |          |      |
| ADDLW   | k           | Add literal and W             | 1             | 11  | 1110 | kkkk               | kkkk  | C, DC, Z |      |
| ANDLW   | k           | AND literal with W            | 1             | 11  | 1001 | kkkk               | kkkk  | Z        |      |
| IORLW   | k           | Inclusive OR literal with W   | 1             | 11  | 1000 | kkkk               | kkkk  | Z        |      |
| MOVLB   | k           | Move literal to BSR           | 1             | 00  | 0000 | 001k               | kkkk  |          |      |
| MOVLP   | k           | Move literal to PCLATH        | 1             | 11  | 0001 | 1kkk               | kkkk  |          |      |
| MOVLW   | k           | Move literal to W             | 1             | 11  | 0000 | kkkk               | kkkk  |          |      |
| SUBLW   | k           | Subtract W from literal       | 1             | 11  | 1100 | kkkk               | kkkk  | C, DC, Z |      |
| XORLW   | k           | Exclusive OR literal with W   | 1             | 11  | 1010 | kkkk               | kkkk  | Z        |      |

**Note 1:** If the Program Counter (PC) is modified, or a conditional test is true, the instruction requires two cycles. The second cycle is executed as a NOP.

**2:** If this instruction addresses an INDF register and the MSb of the corresponding FSR is set, this instruction will require one additional instruction cycle.

# PIC12(L)F1501

**TABLE 26-3: PIC12(L)F1501 ENHANCED INSTRUCTION SET (CONTINUED)**

| Mnemonic,<br>Operands       | Description | Cycles   | 14-Bit Opcode |     |      |      | Status<br>Affected | Notes                          |
|-----------------------------|-------------|--|---------------|-----|------|------|--------------------|--------------------------------|
|                             |             |  | MSb           | LSb |      |      |                    |                                |
| <b>CONTROL OPERATIONS</b>   |             |  |               |     |      |      |                    |                                |
| BRA                         | k           | Relative Branch  | 2             | 11  | 001k | kkkk | kkkk               |                                |
| BRW                         | –           | Relative Branch with W                                     | 2             | 00  | 0000 | 0000 | 1011               |                                |
| CALL                        | k           | Call Subroutine  | 2             | 10  | 0kkk | kkkk | kkkk               |                                |
| CALLW                       | –           | Call Subroutine with W                                     | 2             | 00  | 0000 | 0000 | 1010               |                                |
| GOTO                        | k           | Go to address  | 2             | 10  | 1kkk | kkkk | kkkk               |                                |
| RETFIE                      | k           | Return from interrupt                                      | 2             | 00  | 0000 | 0000 | 1001               |                                |
| RETLW                       | k           | Return with literal in W                                   | 2             | 11  | 0100 | kkkk | kkkk               |                                |
| RETURN                      | –           | Return from Subroutine                                     | 2             | 00  | 0000 | 0000 | 1000               |                                |
| <b>INHERENT OPERATIONS</b>  |             |  |               |     |      |      |                    |                                |
| CLRWDT                      | –           | Clear Watchdog Timer                                       | 1             | 00  | 0000 | 0110 | 0100               | $\overline{TO}, \overline{PD}$ |
| NOP                         | –           | No Operation   | 1             | 00  | 0000 | 0000 | 0000               |                                |
| OPTION                      | –           | Load OPTION_REG register with W                            | 1             | 00  | 0000 | 0110 | 0010               |                                |
| RESET                       | –           | Software device Reset                                      | 1             | 00  | 0000 | 0000 | 0001               |                                |
| SLEEP                       | –           | Go into Standby mode                                       | 1             | 00  | 0000 | 0110 | 0011               | $\overline{TO}, \overline{PD}$ |
| TRIS                        | f           | Load TRIS register with W                                  | 1             | 00  | 0000 | 0110 | 0fff               |                                |
| <b>C-COMPILER OPTIMIZED</b> |             |  |               |     |      |      |                    |                                |
| ADDFSR                      | n, k        | Add Literal k to FSRn                                      | 1             | 11  | 0001 | 0nkk | kkkk               |                                |
| MOVIW                       | n mm        | Move Indirect FSRn to W with pre/post inc/dec modifier, mm | 1             | 00  | 0000 | 0001 | 0nmm<br>kkkk       | Z<br><b>2, 3</b>               |
| MOVWI                       | k[n]        | Move INDFn to W, Indexed Indirect.                         | 1             | 11  | 1111 | 0nkk | 1nmm               | Z<br><b>2</b>                  |
|                             | n mm        | Move W to Indirect FSRn with pre/post inc/dec modifier, mm | 1             | 00  | 0000 | 0001 | kkkk               | <b>2, 3</b>                    |
|                             | k[n]        | Move W to INDFn, Indexed Indirect.                         | 1             | 11  | 1111 | 1nkk |                    | <b>2</b>                       |

**Note 1:** If the Program Counter (PC) is modified, or a conditional test is true, the instruction requires two cycles. The second cycle is executed as a *NOE*.

**2:** If this instruction addresses an INDF register and the MSb of the corresponding FSR is set, this instruction will require one additional instruction cycle.

**3:** See Table in the MOVIW and MOVWI instruction descriptions.

## 26.2 Instruction Descriptions

| <b>ADDFSR</b>    | <b>Add Literal to FSRn</b>   |
|------------------|--|
| Syntax:          | [ <i>label</i> ] ADDFSR FSRn, k  |
| Operands:        | -32 ≤ k ≤ 31<br>n ∈ [ 0, 1 ]   |
| Operation:       | FSR(n) + k → FSR(n)  |
| Status Affected: | None   |
| Description:     | The signed 6-bit literal 'k' is added to the contents of the FSRnH:FSRnL register pair.<br><br>FSRn is limited to the range 0000h-FFFFh. Moving beyond these bounds will cause the FSR to wrap-around. |

| <b>ADDLW</b>     | <b>Add literal and W</b>  |
|------------------|---|
| Syntax:          | [ <i>label</i> ] ADDLW k  |
| Operands:        | 0 ≤ k ≤ 255   |
| Operation:       | (W) + k → (W)   |
| Status Affected: | C, DC, Z  |
| Description:     | The contents of the W register are added to the eight-bit literal 'k' and the result is placed in the W register. |

| <b>ADDWF</b>     | <b>Add W and f</b>   |
|------------------|--|
| Syntax:          | [ <i>label</i> ] ADDWF f,d   |
| Operands:        | 0 ≤ f ≤ 127<br>d ∈ [0,1]   |
| Operation:       | (W) + (f) → (destination)  |
| Status Affected: | C, DC, Z   |
| Description:     | Add the contents of the W register with register 'f'. If 'd' is '0', the result is stored in the W register. If 'd' is '1', the result is stored back in register 'f'. |

| <b>ADDWFC</b>    | <b>ADD W and CARRY bit to f</b>  |
|------------------|--|
| Syntax:          | [ <i>label</i> ] ADDWFC f {,d}   |
| Operands:        | 0 ≤ f ≤ 127<br>d ∈ [0,1]   |
| Operation:       | (W) + (f) + (C) → dest   |
| Status Affected: | C, DC, Z   |
| Description:     | Add W, the Carry flag and data memory location 'f'. If 'd' is '0', the result is placed in W. If 'd' is '1', the result is placed in data memory location 'f'. |

| <b>ANDLW</b>     | <b>AND literal with W</b>   |
|------------------|---|
| Syntax:          | [ <i>label</i> ] ANDLW k  |
| Operands:        | 0 ≤ k ≤ 255   |
| Operation:       | (W) .AND. (k) → (W)   |
| Status Affected: | Z   |
| Description:     | The contents of W register are AND'ed with the eight-bit literal 'k'. The result is placed in the W register. |

| <b>ANDWF</b>     | <b>AND W with f</b>  |
|------------------|--|
| Syntax:          | [ <i>label</i> ] ANDWF f,d   |
| Operands:        | 0 ≤ f ≤ 127<br>d ∈ [0,1]   |
| Operation:       | (W) .AND. (f) → (destination)  |
| Status Affected: | Z  |
| Description:     | AND the W register with register 'f'. If 'd' is '0', the result is stored in the W register. If 'd' is '1', the result is stored back in register 'f'. |

| <b>ASRF</b>      | <b>Arithmetic Right Shift</b>  |
|------------------|--|
| Syntax:          | [ <i>label</i> ] ASRF f {,d}   |
| Operands:        | 0 ≤ f ≤ 127<br>d ∈ [0,1]   |
| Operation:       | (f<7>) → dest<7><br>(f<7:1>) → dest<6:0>,<br>(f<0>) → C,   |
| Status Affected: | C, Z   |
| Description:     | The contents of register 'f' are shifted one bit to the right through the Carry flag. The MSb remains unchanged. If 'd' is '0', the result is placed in W. If 'd' is '1', the result is stored back in register 'f'. |



# PIC12(L)F1501

---

## BCF Bit Clear f

---

Syntax: [ *label* ] BCF f,b  
Operands:  $0 \leq f \leq 127$   
 $0 \leq b \leq 7$   
Operation:  $0 \rightarrow (f<b>)$   
Status Affected: None  
Description: Bit 'b' in register 'f' is cleared.

## BTFSC Bit Test f, Skip if Clear

---

Syntax: [ *label* ] BTFSC f,b  
Operands:  $0 \leq f \leq 127$   
 $0 \leq b \leq 7$   
Operation: skip if  $(f<b>) = 0$   
Status Affected: None  
Description: If bit 'b' in register 'f' is '1', the next instruction is executed.  
If bit 'b', in register 'f', is '0', the next instruction is discarded, and a NOP is executed instead, making this a 2-cycle instruction.

## BRA Relative Branch

---

Syntax: [ *label* ] BRA label  
[ *label* ] BRA \$+k  
Operands:  $-256 \leq \text{label} - \text{PC} + 1 \leq 255$   
 $-256 \leq k \leq 255$   
Operation:  $(\text{PC}) + 1 + k \rightarrow \text{PC}$   
Status Affected: None  
Description: Add the signed 9-bit literal 'k' to the PC. Since the PC will have incremented to fetch the next instruction, the new address will be  $\text{PC} + 1 + k$ . This instruction is a two-cycle instruction. This branch has a limited range.

## BTFSS Bit Test f, Skip if Set

---

Syntax: [ *label* ] BTFSS f,b  
Operands:  $0 \leq f \leq 127$   
 $0 \leq b < 7$   
Operation: skip if  $(f<b>) = 1$   
Status Affected: None  
Description: If bit 'b' in register 'f' is '0', the next instruction is executed.  
If bit 'b' is '1', then the next instruction is discarded and a NOP is executed instead, making this a 2-cycle instruction.

## BRW Relative Branch with W

---

Syntax: [ *label* ] BRW  
Operands: None  
Operation:  $(\text{PC}) + (W) \rightarrow \text{PC}$   
Status Affected: None  
Description: Add the contents of W (unsigned) to the PC. Since the PC will have incremented to fetch the next instruction, the new address will be  $\text{PC} + 1 + (W)$ . This instruction is a two-cycle instruction.

## BSF Bit Set f

---

Syntax: [ *label* ] BSF f,b  
Operands:  $0 \leq f \leq 127$   
 $0 \leq b \leq 7$   
Operation:  $1 \rightarrow (f<b>)$   
Status Affected: None  
Description: Bit 'b' in register 'f' is set.



## CALL Call Subroutine

**Syntax:** [ *label* ] CALL *k*

**Operands:**  $0 \leq k \leq 2047$

**Operation:** (PC)+ 1 → TOS,  
 $k \rightarrow PC\langle 10:0 \rangle$ ,  
(PCLATH<4:3>) → PC<12:11>

**Status Affected:** None

**Description:** Call Subroutine. First, return address (PC + 1) is pushed onto the stack. The eleven-bit immediate address is loaded into PC bits <10:0>. The upper bits of the PC are loaded from PCLATH. CALL is a two-cycle instruction.

## CLRWDT Clear Watchdog Timer

**Syntax:** [ *label* ] CLRWDT

**Operands:** None

**Operation:** 00h → WDT  
0 → WDT prescaler,  
1 →  $\overline{TO}$   
1 →  $\overline{PD}$

**Status Affected:**  $\overline{TO}$ ,  $\overline{PD}$

**Description:** CLRWDT instruction resets the Watchdog Timer. It also resets the prescaler of the WDT. Status bits  $\overline{TO}$  and  $\overline{PD}$  are set.

## CALLW Subroutine Call With W

**Syntax:** [ *label* ] CALLW

**Operands:** None

**Operation:** (PC) + 1 → TOS,  
(W) → PC<7:0>,  
(PCLATH<6:0>) → PC<14:8>

**Status Affected:** None

**Description:** Subroutine call with W. First, the return address (PC + 1) is pushed onto the return stack. Then, the contents of W is loaded into PC<7:0>, and the contents of PCLATH into PC<14:8>. CALLW is a two-cycle instruction.

## COMF Complement f

**Syntax:** [ *label* ] COMF *f*,*d*

**Operands:**  $0 \leq f \leq 127$   
 $d \in [0,1]$

**Operation:** ( $\bar{f}$ ) → (destination)

**Status Affected:** Z

**Description:** The contents of register 'f' are complemented. If 'd' is '0', the result is stored in W. If 'd' is '1', the result is stored back in register 'f'.

## CLRF Clear f

**Syntax:** [ *label* ] CLRF *f*

**Operands:**  $0 \leq f \leq 127$

**Operation:** 00h → (f)  
1 → Z

**Status Affected:** Z

**Description:** The contents of register 'f' are cleared and the Z bit is set.

## DECF Decrement f

**Syntax:** [ *label* ] DECF *f*,*d*

**Operands:**  $0 \leq f \leq 127$   
 $d \in [0,1]$

**Operation:** (f) - 1 → (destination)

**Status Affected:** Z

**Description:** Decrement register 'f'. If 'd' is '0', the result is stored in the W register. If 'd' is '1', the result is stored back in register 'f'.

## CLRW Clear W

**Syntax:** [ *label* ] CLRW

**Operands:** None

**Operation:** 00h → (W)  
1 → Z

**Status Affected:** Z

**Description:** W register is cleared. Zero bit (Z) is set.

# PIC12(L)F1501

---

## **DECFSZ**      **Decrement f, Skip if 0**

---

Syntax:            [*label*] DECFSZ f,d

Operands:         $0 \leq f \leq 127$   
                     $d \in [0,1]$

Operation:         $(f) - 1 \rightarrow (\text{destination});$   
                    skip if result = 0

Status Affected:   None

Description:      The contents of register 'f' are decremented. If 'd' is '0', the result is placed in the W register. If 'd' is '1', the result is placed back in register 'f'. If the result is '1', the next instruction is executed. If the result is '0', then a NOP is executed instead, making it a 2-cycle instruction.

## **INCFSZ**      **Increment f, Skip if 0**

---

Syntax:            [*label*] INCFSZ f,d

Operands:         $0 \leq f \leq 127$   
                     $d \in [0,1]$

Operation:         $(f) + 1 \rightarrow (\text{destination});$   
                    skip if result = 0

Status Affected:   None

Description:      The contents of register 'f' are incremented. If 'd' is '0', the result is placed in the W register. If 'd' is '1', the result is placed back in register 'f'. If the result is '1', the next instruction is executed. If the result is '0', a NOP is executed instead, making it a 2-cycle instruction.

## **GOTO**        **Unconditional Branch**

---

Syntax:            [*label*] GOTO k

Operands:         $0 \leq k \leq 2047$

Operation:         $k \rightarrow PC<10:0>$   
                     $PCLATH<4:3> \rightarrow PC<12:11>$

Status Affected:   None

Description:      GOTO is an unconditional branch. The eleven-bit immediate value is loaded into PC bits <10:0>. The upper bits of PC are loaded from PCLATH<4:3>. GOTO is a two-cycle instruction.

## **IORLW**      **Inclusive OR literal with W**

---

Syntax:            [*label*] IORLW k

Operands:         $0 \leq k \leq 255$

Operation:         $(W) .OR. k \rightarrow (W)$

Status Affected:   Z

Description:      The contents of the W register are OR'ed with the eight-bit literal 'k'. The result is placed in the W register.

## **INCF**        **Increment f**

---

Syntax:            [*label*] INCF f,d

Operands:         $0 \leq f \leq 127$   
                     $d \in [0,1]$

Operation:         $(f) + 1 \rightarrow (\text{destination})$

Status Affected:   Z

Description:      The contents of register 'f' are incremented. If 'd' is '0', the result is placed in the W register. If 'd' is '1', the result is placed back in register 'f'.

## **IORWF**      **Inclusive OR W with f**

---

Syntax:            [*label*] IORWF f,d

Operands:         $0 \leq f \leq 127$   
                     $d \in [0,1]$

Operation:         $(W) .OR. (f) \rightarrow (\text{destination})$

Status Affected:   Z

Description:      Inclusive OR the W register with register 'f'. If 'd' is '0', the result is placed in the W register. If 'd' is '1', the result is placed back in register 'f'.

**LSLF**                    **Logical Left Shift**

---

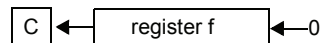
Syntax:                    `[label] LSLF f {,d}`

Operands:                 $0 \leq f \leq 127$   
 $d \in [0,1]$

Operation:                 $(f<7>) \rightarrow C$   
 $(f<6:0>) \rightarrow \text{dest}<7:1>$   
 $0 \rightarrow \text{dest}<0>$

Status Affected:        C, Z

Description:             The contents of register 'f' are shifted one bit to the left through the Carry flag. A '0' is shifted into the LSb. If 'd' is '0', the result is placed in W. If 'd' is '1', the result is stored back in register 'f'.



**LSRF**                    **Logical Right Shift**

---

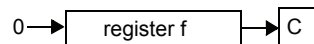
Syntax:                    `[label] LSRF f {,d}`

Operands:                 $0 \leq f \leq 127$   
 $d \in [0,1]$

Operation:                 $0 \rightarrow \text{dest}<7>$   
 $(f<7:1>) \rightarrow \text{dest}<6:0>$ ,  
 $(f<0>) \rightarrow C$ ,

Status Affected:        C, Z

Description:             The contents of register 'f' are shifted one bit to the right through the Carry flag. A '0' is shifted into the MSb. If 'd' is '0', the result is placed in W. If 'd' is '1', the result is stored back in register 'f'.



**MOVF**                    **Move f**

---

Syntax:                    `[label] MOVF f,d`

Operands:                 $0 \leq f \leq 127$   
 $d \in [0,1]$

Operation:                 $(f) \rightarrow (\text{dest})$

Status Affected:        Z

Description:             The contents of register f is moved to a destination dependent upon the status of d. If d = 0, destination is W register. If d = 1, the destination is file register f itself. d = 1 is useful to test a file register since status flag Z is affected.

Words:                    1

Cycles:                   1

Example:                    `MOVF    FSR, 0`

After Instruction  
 $W = \text{value in FSR register}$   
 $Z = 1$

# PIC12(L)F1501

## MOVIW Move INDFn to W

Syntax: [ *label* ] MOVIW ++FSRn  
 [ *label* ] MOVIW --FSRn  
 [ *label* ] MOVIW FSRn++  
 [ *label* ] MOVIW FSRn--  
 [ *label* ] MOVIW k[FSRn]

Operands:  $n \in [0,1]$   
 $mm \in [00,01, 10, 11]$   
 $-32 \leq k \leq 31$

Operation: INDFn  $\rightarrow$  W  
 Effective address is determined by

- FSR + 1 (preincrement)
- FSR - 1 (predecrement)
- FSR + k (relative offset)

After the Move, the FSR value will be either:

- FSR + 1 (all increments)
- FSR - 1 (all decrements)
- Unchanged

Status Affected: Z

| Mode          | Syntax | mm |
|---------------|--------|----|
| Preincrement  | ++FSRn | 00 |
| Predecrement  | --FSRn | 01 |
| Postincrement | FSRn++ | 10 |
| Postdecrement | FSRn-- | 11 |

Description: This instruction is used to move data between W and one of the indirect registers (INDFn). Before/after this move, the pointer (FSRn) is updated by pre/post incrementing/decrementing it.

**Note:** The INDFn registers are not physical registers. Any instruction that accesses an INDFn register actually accesses the register at the address specified by the FSRn.

FSRn is limited to the range 0000h-FFFFh. Incrementing/decrementing it beyond these bounds will cause it to wrap-around.

## MOVLB Move literal to BSR

Syntax: [ *label* ] MOVLB k

Operands:  $0 \leq k \leq 15$

Operation:  $k \rightarrow$  BSR

Status Affected: None

Description: The five-bit literal 'k' is loaded into the Bank Select Register (BSR).

## MOVLP Move literal to PCLATH

Syntax: [ *label* ] MOVLP k

Operands:  $0 \leq k \leq 127$

Operation:  $k \rightarrow$  PCLATH

Status Affected: None

Description: The seven-bit literal 'k' is loaded into the PCLATH register.

## MOVLW Move literal to W

Syntax: [ *label* ] MOVLW k

Operands:  $0 \leq k \leq 255$

Operation:  $k \rightarrow$  (W)

Status Affected: None

Description: The eight-bit literal 'k' is loaded into W register. The "don't cares" will assemble as '0's.

Words: 1

Cycles: 1

**Example:** MOVLW 0x5A  
 After Instruction  
 W = 0x5A

## MOVWF Move W to f

Syntax: [ *label* ] MOVWF f

Operands:  $0 \leq f \leq 127$

Operation: (W)  $\rightarrow$  (f)

Status Affected: None

Description: Move data from W register to register 'f'.

Words: 1

Cycles: 1

**Example:** MOVWF OPTION\_REG  
 Before Instruction  
 OPTION\_REG = 0xFF  
 W = 0x4F  
 After Instruction  
 OPTION\_REG = 0x4F  
 W = 0x4F

| MOVWI            | Move W to INDFn  |
|------------------|--|
| Syntax:          | [ <i>label</i> ] MOVWI ++FSRn<br>[ <i>label</i> ] MOVWI --FSRn<br>[ <i>label</i> ] MOVWI FSRn++<br>[ <i>label</i> ] MOVWI FSRn--<br>[ <i>label</i> ] MOVWI k[FSRn]   |
| Operands:        | n ∈ [0,1]<br>mm ∈ [00,01, 10, 11]<br>-32 ≤ k ≤ 31  |
| Operation:       | W → INDFn<br>Effective address is determined by <ul style="list-style-type: none"> <li>• FSR + 1 (preincrement)</li> <li>• FSR - 1 (predecrement)</li> <li>• FSR + k (relative offset)</li> </ul> After the Move, the FSR value will be either: <ul style="list-style-type: none"> <li>• FSR + 1 (all increments)</li> <li>• FSR - 1 (all decrements)</li> </ul> Unchanged |
| Status Affected: | None   |

| Mode          | Syntax | mm |
|---------------|--------|----|
| Preincrement  | ++FSRn | 00 |
| Predecrement  | --FSRn | 01 |
| Postincrement | FSRn++ | 10 |
| Postdecrement | FSRn-- | 11 |

**Description:** This instruction is used to move data between W and one of the indirect registers (INDFn). Before/after this move, the pointer (FSRn) is updated by pre/post incrementing/decrementing it.

**Note:** The INDFn registers are not physical registers. Any instruction that accesses an INDFn register actually accesses the register at the address specified by the FSRn.

FSRn is limited to the range 0000h-FFFFh. Incrementing/decrementing it beyond these bounds will cause it to wrap-around.

The increment/decrement operation on FSRn WILL NOT affect any Status bits.

| NOP              | No Operation         |
|------------------|----------------------|
| Syntax:          | [ <i>label</i> ] NOP |
| Operands:        | None                 |
| Operation:       | No operation         |
| Status Affected: | None                 |
| Description:     | No operation         |
| Words:           | 1                    |
| Cycles:          | 1                    |
| <u>Example:</u>  | NOP                  |

| OPTION           | Load OPTION_REG Register with W                   |
|------------------|---|
| Syntax:          | [ <i>label</i> ] OPTION                           |
| Operands:        | None  |
| Operation:       | (W) → OPTION_REG                                  |
| Status Affected: | None  |
| Description:     | Move data from W register to OPTION_REG register. |

| RESET            | Software Reset   |
|------------------|--|
| Syntax:          | [ <i>label</i> ] RESET   |
| Operands:        | None   |
| Operation:       | Execute a device Reset. Resets the nRI flag of the PCON register.        |
| Status Affected: | None   |
| Description:     | This instruction provides a way to execute a hardware Reset by software. |

# PIC12(L)F1501

**RETFIE**            **Return from Interrupt**

---

Syntax:            [*label*] RETFIE *k*

Operands:            None

Operation:            TOS → PC,  
                          1 → GIE

Status Affected:    None

Description:        Return from Interrupt. Stack is POPed and Top-of-Stack (TOS) is loaded in the PC. Interrupts are enabled by setting Global Interrupt Enable bit, GIE (INTCON<7>). This is a two-cycle instruction.

Words:                1

Cycles:                2

Example:            RETFIE

                          After Interrupt

                          PC = TOS

                          GIE = 1

**RETURN**            **Return from Subroutine**

---

Syntax:            [*label*] RETURN

Operands:            None

Operation:            TOS → PC

Status Affected:    None

Description:        Return from subroutine. The stack is POPed and the top of the stack (TOS) is loaded into the program counter. This is a two-cycle instruction.

**RETLW**            **Return with literal in W**

---

Syntax:            [*label*] RETLW *k*

Operands:             $0 \leq k \leq 255$

Operation:            *k* → (W);  
                          TOS → PC

Status Affected:    None

Description:        The W register is loaded with the eight bit literal 'k'. The program counter is loaded from the top of the stack (the return address). This is a two-cycle instruction.

Words:                1

Cycles:                2

Example:            CALL TABLE;W contains table  
                          ;offset value

                          • ;W now has table value

TABLE                •

                          •

                          ADDWF PC ;W = offset

                          RETLW *k1* ;Begin table

                          RETLW *k2* ;

                          •

                          •

                          •

                          RETLW *kn* ; End of table

                          Before Instruction

                          W = 0x07

                          After Instruction

                          W = value of *k8*

**RLF**                **Rotate Left f through Carry**

---

Syntax:            [*label*] RLF *f,d*

Operands:             $0 \leq f \leq 127$   
                           $d \in [0,1]$

Operation:            See description below

Status Affected:    C

Description:        The contents of register 'f' are rotated one bit to the left through the Carry flag. If 'd' is '0', the result is placed in the W register. If 'd' is '1', the result is stored back in register 'f'.

Words:                1

Cycles:                1

Example:            RLF        REG1,0

                          Before Instruction

                          REG1 = 1110 0110

                          C = 0

                          After Instruction

                          REG1 = 1110 0110

                          W = 1100 1100

                          C = 1

## RRF Rotate Right f through Carry

**Syntax:** [ *label* ] RRF f,d

**Operands:**  $0 \leq f \leq 127$   
 $d \in [0,1]$

**Operation:** See description below

**Status Affected:** C

**Description:** The contents of register 'f' are rotated one bit to the right through the Carry flag. If 'd' is '0', the result is placed in the W register. If 'd' is '1', the result is placed back in register 'f'.



## SLEEP Enter Sleep mode

**Syntax:** [ *label* ] SLEEP

**Operands:** None

**Operation:** 00h → WDT,  
 0 → WDT prescaler,  
 1 →  $\overline{TO}$ ,  
 0 →  $\overline{PD}$

**Status Affected:**  $\overline{TO}$ ,  $\overline{PD}$

**Description:** The power-down Status bit,  $\overline{PD}$  is cleared. Time-out Status bit,  $\overline{TO}$  is set. Watchdog Timer and its prescaler are cleared. The processor is put into Sleep mode with the oscillator stopped.

## SUBLW Subtract W from literal

**Syntax:** [ *label* ] SUBLW k

**Operands:**  $0 \leq k \leq 255$

**Operation:**  $k - (W) \rightarrow (W)$

**Status Affected:** C, DC, Z

**Description:** The W register is subtracted (2's complement method) from the eight-bit literal 'k'. The result is placed in the W register.

|        |                      |
|--------|----------------------|
| C = 0  | $W > k$              |
| C = 1  | $W \leq k$           |
| DC = 0 | $W<3:0> > k<3:0>$    |
| DC = 1 | $W<3:0> \leq k<3:0>$ |

## SUBWF Subtract W from f

**Syntax:** [ *label* ] SUBWF f,d

**Operands:**  $0 \leq f \leq 127$   
 $d \in [0,1]$

**Operation:**  $(f) - (W) \rightarrow (\text{destination})$

**Status Affected:** C, DC, Z

**Description:** Subtract (2's complement method) W register from register 'f'. If 'd' is '0', the result is stored in the W register. If 'd' is '1', the result is stored back in register 'f'.

|        |                      |
|--------|----------------------|
| C = 0  | $W > f$              |
| C = 1  | $W \leq f$           |
| DC = 0 | $W<3:0> > f<3:0>$    |
| DC = 1 | $W<3:0> \leq f<3:0>$ |

## SUBWFB Subtract W from f with Borrow

**Syntax:** SUBWFB f {,d}

**Operands:**  $0 \leq f \leq 127$   
 $d \in [0,1]$

**Operation:**  $(f) - (W) - (\overline{B}) \rightarrow \text{dest}$

**Status Affected:** C, DC, Z

**Description:** Subtract W and the BORROW flag (CARRY) from register 'f' (2's complement method). If 'd' is '0', the result is stored in W. If 'd' is '1', the result is stored back in register 'f'.

# PIC12(L)F1501

---

## **SWAPF**      **Swap Nibbles in f**

---

Syntax:            [ *label* ] SWAPF f,d

Operands:         $0 \leq f \leq 127$   
                     $d \in [0,1]$

Operation:        ( $f<3:0>$ )  $\rightarrow$  (destination $<7:4>$ ),  
                    ( $f<7:4>$ )  $\rightarrow$  (destination $<3:0>$ )

Status Affected:    None

Description:      The upper and lower nibbles of register 'f' are exchanged. If 'd' is '0', the result is placed in the W register. If 'd' is '1', the result is placed in register 'f'.

## **XORLW**      **Exclusive OR literal with W**

---

Syntax:            [ *label* ] XORLW k

Operands:         $0 \leq k \leq 255$

Operation:        (W) .XOR. k  $\rightarrow$  (W)

Status Affected:    Z

Description:      The contents of the W register are XOR'ed with the eight-bit literal 'k'. The result is placed in the W register.

## **TRIS**          **Load TRIS Register with W**

---

Syntax:            [ *label* ] TRIS f

Operands:         $5 \leq f \leq 7$

Operation:        (W)  $\rightarrow$  TRIS register 'f'

Status Affected:    None

Description:      Move data from W register to TRIS register.  
                    When 'f' = 5, TRISA is loaded.  
                    When 'f' = 6, TRISB is loaded.  
                    When 'f' = 7, TRISC is loaded.

## **XORWF**      **Exclusive OR W with f**

---

Syntax:            [ *label* ] XORWF f,d

Operands:         $0 \leq f \leq 127$   
                     $d \in [0,1]$

Operation:        (W) .XOR. (f)  $\rightarrow$  (destination)

Status Affected:    Z

Description:      Exclusive OR the contents of the W register with register 'f'. If 'd' is '0', the result is stored in the W register. If 'd' is '1', the result is stored back in register 'f'.



## 27.0 ELECTRICAL SPECIFICATIONS

### Absolute Maximum Ratings<sup>(†)</sup>

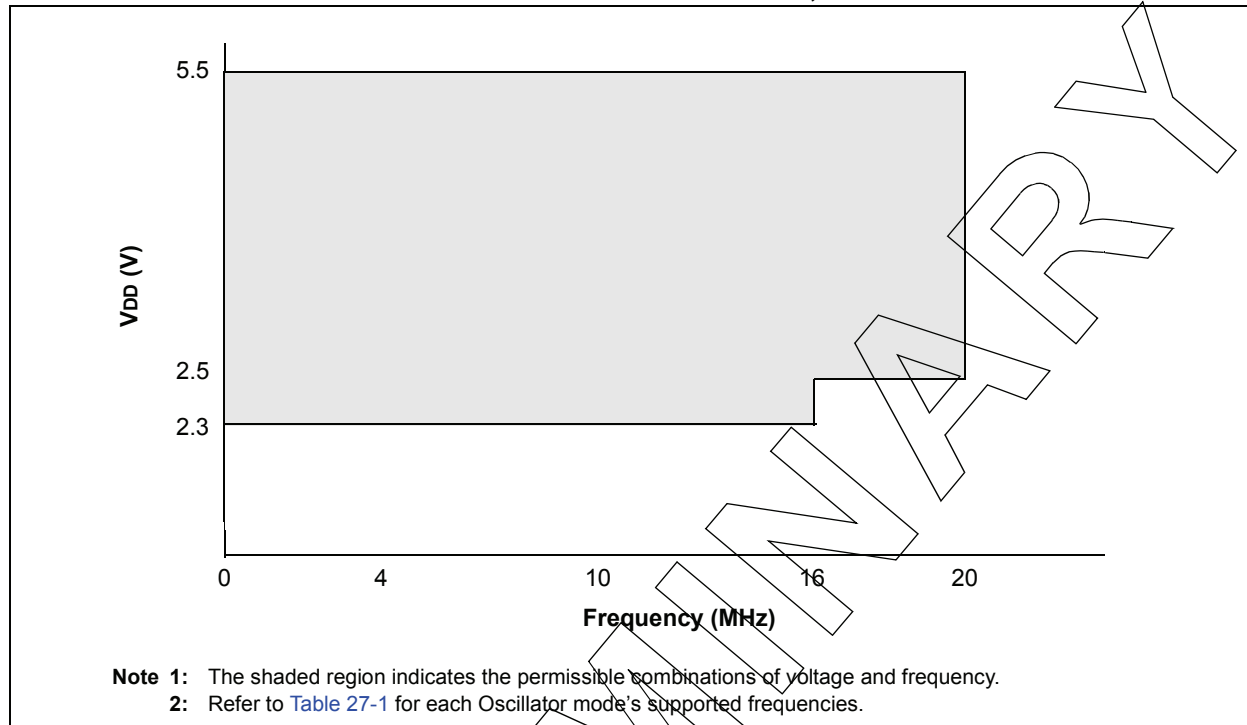
|   |                       |
|---|-----------------------|
| Ambient temperature under bias .....                                    | -40°C to +125°C       |
| Storage temperature .....   | -65°C to +150°C       |
| Voltage on VDD with respect to Vss, PIC12F1501 .....                    | -0.3V to +6.5V        |
| Voltage on VDD with respect to Vss, PIC12LF1501 .....                   | -0.3V to +4.0V        |
| Voltage on MCLR with respect to Vss .....                               | -0.3V to +9.0V        |
| Voltage on all other pins with respect to Vss .....                     | -0.3V to (VDD + 0.3V) |
| Total power dissipation <sup>(1)</sup> .....                            | 800 mW                |
| Maximum current out of Vss pin, -40°C ≤ TA ≤ +85°C for industrial ..... | 210 mA                |
| Maximum current out of Vss pin, -40°C ≤ TA ≤ +125°C for extended .....  | 95 mA                 |
| Maximum current into VDD pin, -40°C ≤ TA ≤ +85°C for industrial .....   | 150 mA                |
| Maximum current into VDD pin, -40°C ≤ TA ≤ +125°C for extended .....    | 70 mA                 |
| Clamp current, IK (VPIN < 0 or VPIN > VDD) .....                        | ± 20 mA               |
| Maximum output current sunk by any I/O pin .....                        | 25 mA                 |
| Maximum output current sourced by any I/O pin .....                     | 25 mA                 |

**Note 1:** Power dissipation is calculated as follows:  $P_{DIS} = V_{DD} \times \{I_{DD} - \sum I_{OH}\} + \sum \{(V_{DD} - V_{OH}) \times I_{OH}\} + \sum (V_{OL} \times I_{OL})$ .

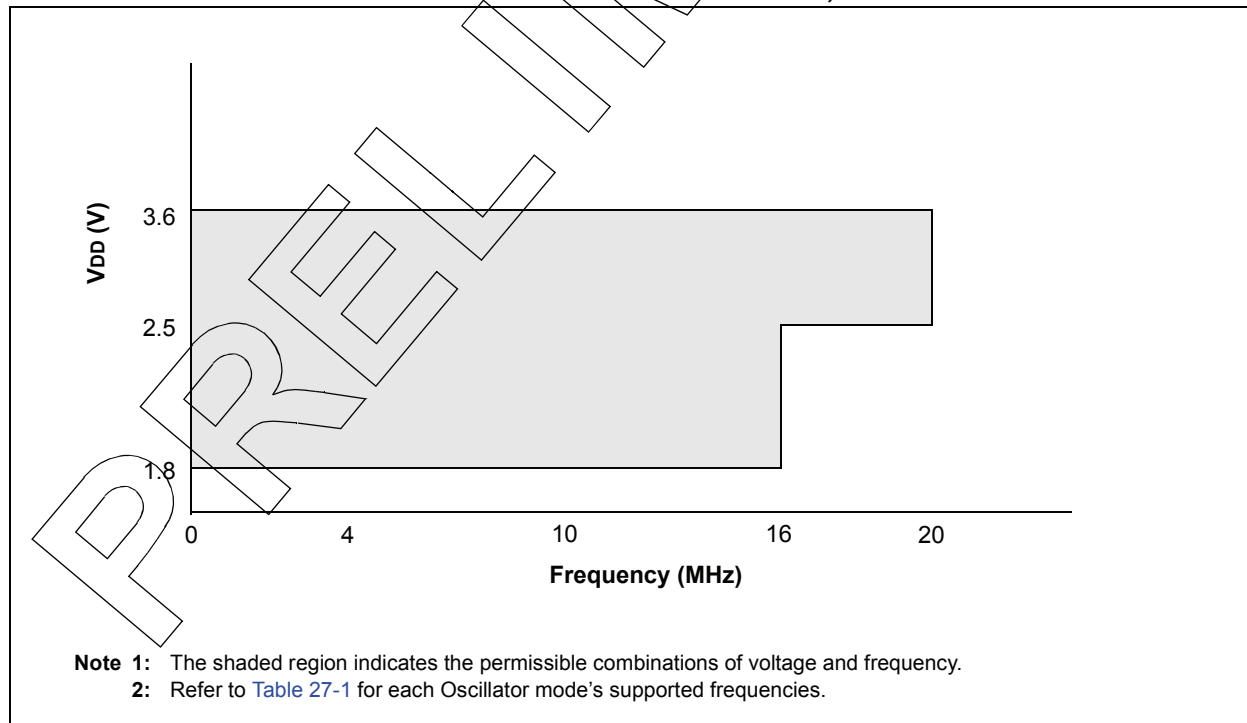
† NOTICE: Stresses above those listed under "Absolute Maximum Ratings" may cause permanent damage to the device. This is a stress rating only and functional operation of the device at those or any other conditions above those indicated in the operation listings of this specification is not implied. Exposure above maximum rating conditions for extended periods may affect device reliability.

# PIC12(L)F1501

**FIGURE 27-1: PIC12F1501 VOLTAGE FREQUENCY GRAPH,  $-40^{\circ}\text{C} \leq T_A \leq +125^{\circ}\text{C}$**



**FIGURE 27-2: PIC12LF1501 VOLTAGE FREQUENCY GRAPH,  $-40^{\circ}\text{C} \leq T_A \leq +125^{\circ}\text{C}$**



# PIC12(L)F1501

## 27.1 DC Characteristics: PIC12(L)F1501-I/E (Industrial, Extended)

| PIC12LF1501 |                | Standard Operating Conditions (unless otherwise stated)                                     |            |       |            |        |   |
|-------------|----------------|---|------------|-------|------------|--------|---|
|             |                | Operating temperature -40°C ≤ TA ≤ +85°C for industrial<br>-40°C ≤ TA ≤ +125°C for extended |            |       |            |        |   |
| PIC12F1501  |                | Standard Operating Conditions (unless otherwise stated)                                     |            |       |            |        |   |
|             |                | Operating temperature -40°C ≤ TA ≤ +85°C for industrial<br>-40°C ≤ TA ≤ +125°C for extended |            |       |            |        |   |
| Param. No.  | Sym.           | Characteristic  | Min.       | Typ†  | Max.       | Units  | Conditions  |
| D001        | VDD            | <b>Supply Voltage</b>   |            |       |            |        |   |
|             |                | PIC12LF1501   | 1.8<br>2.5 | —     | 3.6<br>3.6 | V      | Fosc ≤ 16 MHz:<br>Fosc ≤ 20 MHz                         |
| D001        |                | PIC12F1501  | 2.3<br>2.5 | —     | 5.5<br>5.5 | V      | Fosc ≤ 16 MHz:<br>Fosc ≤ 20 MHz                         |
|             |                |   |            |       |            |        |   |
| D002*       | VDR            | <b>RAM Data Retention Voltage<sup>(1)</sup></b>   |            |       |            |        |   |
|             |                | PIC12LF1501   | 1.5        | —     | —          | V      | Device in Sleep mode                                    |
| D002*       |                | PIC12F1501  | 1.65       | —     | —          | V      | Device in Sleep mode                                    |
| D002A*      | VPOR*          | <b>Power-on Reset Release Voltage</b>   |            |       |            |        |   |
|             |                | PIC12LF1501   | —          | 1.6   | —          | V      |   |
| D002A*      |                | PIC12F1501  | —          | 1.7   | —          | V      |   |
| D002B*      | VPORR*         | <b>Power-on Reset Rearm Voltage</b>   |            |       |            |        |   |
|             |                | PIC12LF1501   | —          | 0.8   | —          | V      |   |
| D002B*      |                | PIC12F1501  | —          | 1.7   | —          | V      |   |
| D003        | VADFVR         | <b>Fixed Voltage Reference Voltage for ADC, Initial Accuracy</b>                            |            |       |            |        |   |
|             |                |   | —          | 1     | —          | %      | 1.024V, VDD ≥ 2.5V, 85°C (NOTE 2)                       |
|             |                |   | —          | 1     | —          | %      | 1.024V, VDD ≥ 2.5V, 125°C (NOTE 2)                      |
|             |                |   | —          | 1     | —          | %      | 2.048V, VDD ≥ 2.5V, 85°C                                |
|             |                |   | —          | 1     | —          | %      | 2.048V, VDD ≥ 2.5V, 125°C                               |
|             |                |   | —          | 1     | —          | %      | 4.096V, VDD ≥ 4.75V, 85°C<br>4.096V, VDD ≥ 4.75V, 125°C |
| D003C*      | TCVFVR         | <b>Temperature Coefficient, Fixed Voltage Reference</b>                                     | —          | -130  | —          | ppm/°C |   |
| D003D*      | ΔVFVR/<br>ΔVIN | <b>Line Regulation, Fixed Voltage Reference</b>   | —          | 0.270 | —          | %/V    |   |
| D004*       | SVDD           | <b>VDD Rise Rate to ensure internal Power-on Reset signal</b>                               | 0.05       | —     | —          | V/ms   | See Section 6.1 "Power-on Reset (POR)" for details.     |

\* These parameters are characterized but not tested.

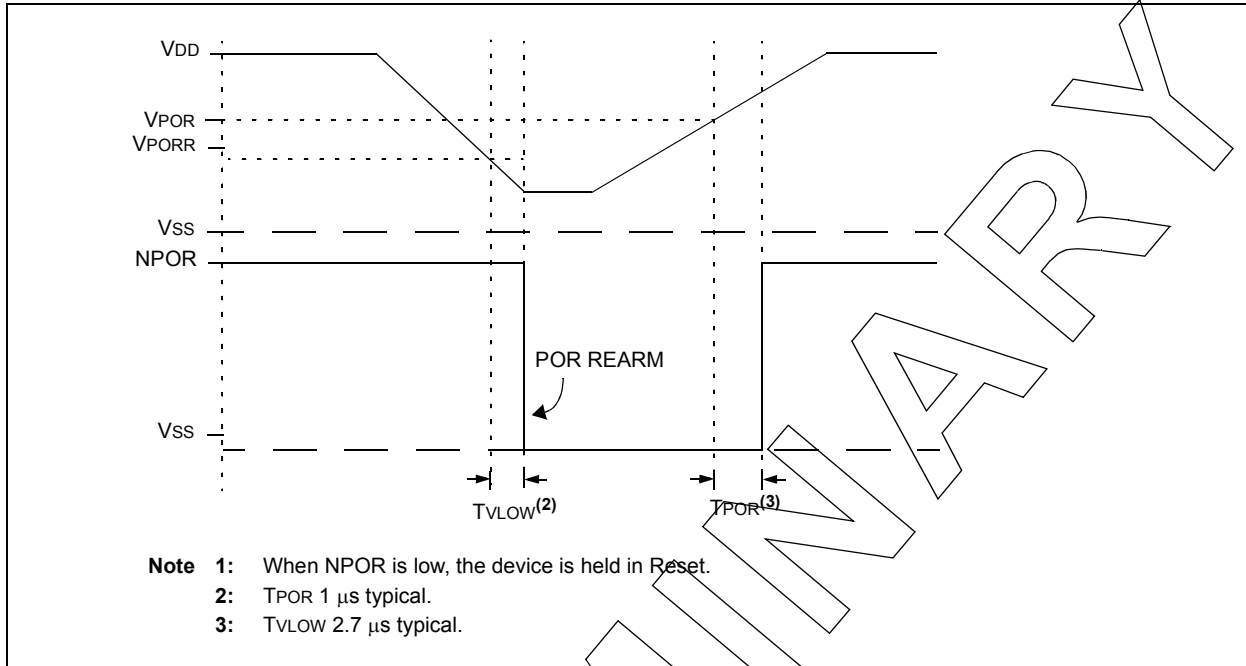
† Data in "Typ" column is at 3.0V, 25°C unless otherwise stated. These parameters are for design guidance only and are not tested.

**Note 1:** This is the limit to which VDD can be lowered in Sleep mode without losing RAM data.

**Note 2:** For proper operation, the minimum value of the ADC positive voltage reference must be 1.8V or greater. When selecting the FVR or the VREF+ pin as the source of the ADC positive voltage reference, be aware that the voltage must be 1.8V or greater.

# PIC12(L)F1501

FIGURE 27-3: POR AND POR REARM WITH SLOW RISING V<sub>DD</sub>



# PIC12(L)F1501

## 27.2 DC Characteristics: PIC12(L)F1501-I/E (Industrial, Extended)

| PIC12LF1501                                  |                        | Standard Operating Conditions (unless otherwise stated)<br>Operating temperature $-40^{\circ}\text{C} \leq T_A \leq +85^{\circ}\text{C}$ for industrial<br>$-40^{\circ}\text{C} \leq T_A \leq +125^{\circ}\text{C}$ for extended |      |      |       |            |  |
|--|------------------------|--|------|------|-------|------------|--|
| PIC12F1501                                   |                        | Standard Operating Conditions (unless otherwise stated)<br>Operating temperature $-40^{\circ}\text{C} \leq T_A \leq +85^{\circ}\text{C}$ for industrial<br>$-40^{\circ}\text{C} \leq T_A \leq +125^{\circ}\text{C}$ for extended |      |      |       |            |  |
| Param No.                                    | Device Characteristics | Min.   | Typ† | Max. | Units | Conditions |  |
|  |                        |  |      |      |       | VDD        | Note   |
| <b>Supply Current (IDD)<sup>(1, 2)</sup></b> |                        |  |      |      |       |            |  |
| D013   |                        | —  | 25   | 140  | μA    | 1.8        | Fosc = 1 MHz<br>EC Oscillator mode, Medium-power mode    |
|  |                        | —  | 45   | 230  | μA    | 3.0        |  |
| D013   |                        | —  | 60   | 180  | μA    | 2.3        | Fosc = 1 MHz<br>EC Oscillator mode<br>Medium-power mode  |
|  |                        | —  | 80   | 240  | μA    | 3.0        |  |
|  |                        | —  | 100  | 320  | μA    | 5.0        |  |
| D014   |                        | —  | 100  | 250  | μA    | 1.8        | Fosc = 4 MHz<br>EC Oscillator mode,<br>Medium-power mode |
|  |                        | —  | 180  | 430  | μA    | 3.0        |  |
| D014   |                        | —  | 160  | 275  | μA    | 2.3        | Fosc = 4 MHz<br>EC Oscillator mode<br>Medium-power mode  |
|  |                        | —  | 210  | 450  | μA    | 3.0        |  |
|  |                        | —  | 260  | 650  | μA    | 5.0        |  |
| D015   |                        | —  | 2.5  | 18   | μA    | 1.8        | Fosc = 31 kHz<br>LFINTOSC mode                           |
|  |                        | —  | 4.0  | 20   | μA    | 3.0        |  |
| D015   |                        | —  | 14   | 58   | μA    | 2.3        | Fosc = 31 kHz<br>LFINTOSC mode                           |
|  |                        | —  | 15   | 65   | μA    | 3.0        |  |
|  |                        | —  | 16   | 70   | μA    | 5.0        |  |
| D017*  |                        | —  | 0.40 | 0.70 | mA    | 1.8        | Fosc = 8 MHz<br>HFINTOSC mode                            |
|  |                        | —  | 0.60 | 1.10 | mA    | 3.0        |  |
| D017*  |                        | —  | 0.50 | 0.75 | mA    | 2.3        | Fosc = 8 MHz<br>HFINTOSC mode                            |
|  |                        | —  | 0.60 | 1.15 | mA    | 3.0        |  |
|  |                        | —  | 0.70 | 1.35 | mA    | 5.0        |  |
| D018   |                        | —  | 0.60 | 1.2  | mA    | 1.8        | Fosc = 16 MHz<br>HFINTOSC mode                           |
|  |                        | —  | 1.0  | 1.75 | mA    | 3.0        |  |
| D018   |                        | —  | 0.74 | 1.2  | mA    | 2.3        | Fosc = 16 MHz<br>HFINTOSC mode                           |
|  |                        | —  | 0.96 | 1.8  | mA    | 3.0        |  |
|  |                        | —  | 1.03 | 2.0  | mA    | 5.0        |  |
| D019A  |                        | —  | 6    | 17   | μA    | 1.8        | Fosc = 32 kHz<br>ECL mode                                |
|  |                        | —  | 8    | 20   | μA    | 3.0        |  |
| D019A  |                        | —  | 14   | 25   | μA    | 3.0        | Fosc = 32 kHz<br>ECL mode                                |
|  |                        | —  | 15   | 30   | μA    | 5.0        |  |
| D019B  |                        | —  | 15   | 165  | μA    | 1.8        | Fosc = 500 kHz<br>ECM mode                               |
|  |                        | —  | 20   | 190  | μA    | 3.0        |  |

\* These parameters are characterized but not tested.

† Data in "Typ" column is at 3.0V, 25°C unless otherwise stated. These parameters are for design guidance only and are not tested.

- Note**
- 1: The test conditions for all IDD measurements in active operation mode are: CLKIN = external square wave, from rail-to-rail; all I/O pins tri-stated, pulled to VDD; MCLR = VDD; WDT disabled.
  - 2: The supply current is mainly a function of the operating voltage and frequency. Other factors, such as I/O pin loading and switching rate, oscillator type, internal code execution pattern and temperature, also have an impact on the current consumption.

# PIC12(L)F1501

## 27.2 DC Characteristics: PIC12(L)F1501-I/E (Industrial, Extended) (Continued)

| PIC12LF1501                                  |                        | Standard Operating Conditions (unless otherwise stated)   |      |      |       |            |                            |
|--|------------------------|---|------|------|-------|------------|----------------------------|
|  |                        | Operating temperature $-40^{\circ}\text{C} \leq T_A \leq +85^{\circ}\text{C}$ for industrial<br>$-40^{\circ}\text{C} \leq T_A \leq +125^{\circ}\text{C}$ for extended |      |      |       |            |                            |
| PIC12F1501                                   |                        | Standard Operating Conditions (unless otherwise stated)   |      |      |       |            |                            |
|  |                        | Operating temperature $-40^{\circ}\text{C} \leq T_A \leq +85^{\circ}\text{C}$ for industrial<br>$-40^{\circ}\text{C} \leq T_A \leq +125^{\circ}\text{C}$ for extended |      |      |       |            |                            |
| Param No.                                    | Device Characteristics | Min.  | Typ† | Max. | Units | Conditions |                            |
|  |                        |   |      |      |       | VDD        | Note                       |
| <b>Supply Current (IDD)<sup>(1, 2)</sup></b> |                        |   |      |      |       |            |                            |
| D019B  |                        | —   | 34   | 210  | μA    | 3.0        | Fosc = 500 kHz<br>ECM mode |
|  |                        | —   | 37   | 270  | μA    | 5.0        |                            |
| D019C  |                        | —   | 0.65 | —    | mA    | 3.0        | Fosc = 20 MHz<br>ECH mode  |
| D019C  |                        | —   | 0.75 | —    | mA    | 3.0        | Fosc = 20 MHz<br>ECH mode  |
|  |                        | —   | 0.87 | —    | mA    | 5.0        |                            |

\* These parameters are characterized but not tested.

† Data in "Typ" column is at 3.0V, 25°C unless otherwise stated. These parameters are for design guidance only and are not tested.

- Note 1:** The test conditions for all IDD measurements in active operation mode are: CLKIN = external square wave, from rail-to-rail; all I/O pins tri-stated, pulled to VDD; MCLR = VDD; WDT disabled.
- Note 2:** The supply current is mainly a function of the operating voltage and frequency. Other factors, such as I/O pin loading and switching rate, oscillator type, internal code execution pattern and temperature, also have an impact on the current consumption.

PRELIMINARY

## 27.3 DC Characteristics: PIC12(L)F1501-I/E (Power-Down)

| PIC12LF1501  |                        | Standard Operating Conditions (unless otherwise stated)                                     |      |            |             |       |            | Conditions  |  |
|--|------------------------|---|------|------------|-------------|-------|------------|---|--|
|  |                        | Operating temperature -40°C ≤ TA ≤ +85°C for industrial<br>-40°C ≤ TA ≤ +125°C for extended |      |            |             |       |            |   |  |
| PIC12F1501   |                        | Standard Operating Conditions (unless otherwise stated)                                     |      |            |             |       |            | Conditions  |  |
|  |                        | Operating temperature -40°C ≤ TA ≤ +85°C for industrial<br>-40°C ≤ TA ≤ +125°C for extended |      |            |             |       |            |   |  |
| Param No.  | Device Characteristics | Min.  | Typ† | Max. +85°C | Max. +125°C | Units | Conditions |   |  |
|  |                        |   |      |            |             |       | VDD        | Note  |  |
| <b>Power-down Base Current (IPD)<sup>(2)</sup></b> |                        |   |      |            |             |       |            |   |  |
| D022   |                        | —   | .02  | 1.0        | 2.4         | μA    | 1.8        | WDT, BOR, FVR, and T1OSC disabled, all Peripherals Inactive |  |
|  |                        | —   | .03  | 1.1        | 3.0         | μA    | 3.0        |   |  |
| D022   |                        | —   | 10   | 35         | 40          | μA    | 2.3        | WDT, BOR, FVR, and T1OSC disabled, all Peripherals Inactive |  |
|  |                        | —   | 11   | 42         | 48          | μA    | 3.0        |   |  |
|  |                        | —   | 12   | 45         | 61          | μA    | 5.0        |   |  |
| D023   |                        | —   | 0.2  | 1.5        | 2.4         | μA    | 1.8        | LPWDT Current (Note 1)                                      |  |
|  |                        | —   | 0.5  | 2.0        | 3.0         | μA    | 3.0        |   |  |
| D023   |                        | —   | 11   | 38         | 44          | μA    | 2.3        | LPWDT Current (Note 1)                                      |  |
|  |                        | —   | 12   | 43         | 48          | μA    | 3.0        |   |  |
|  |                        | —   | 13   | 48         | 65          | μA    | 5.0        |   |  |
| D023A  |                        | —   | 13   | 22         | 25          | μA    | 1.8        | FVR current (Note 1)  |  |
|  |                        | —   | 22   | 24         | 27          | μA    | 3.0        |   |  |
| D023A  |                        | —   | 23   | 62         | 65          | μA    | 2.3        | FVR current (Note 1)  |  |
|  |                        | —   | 30   | 72         | 75          | μA    | 3.0        |   |  |
|  |                        | —   | 34   | 115        | 120         | μA    | 5.0        |   |  |
| D024   |                        | —   | 7    | 14         | 16          | μA    | 3.0        | BOR Current (Note 1)  |  |
| D024   |                        | —   | 15   | 47         | 50          | μA    | 3.0        | BOR Current (Note 1)  |  |
|  |                        | —   | 17   | 55         | 66          | μA    | 5.0        |   |  |
| D024A  |                        | —   | 0.2  | 5          | 7           | μA    | 3.0        | LPBOR Current   |  |
| D024A  |                        | —   | 10   | 25         | 40          | μA    | 3.0        | LPBOR Current   |  |
|  |                        | —   | 12   | 30         | 50          | μA    | 5.0        |   |  |
| D026   |                        | —   | 0.03 | 3.5        | 4.0         | μA    | 1.8        | A/D Current (Note 1, Note 3), no conversion in progress     |  |
|  |                        | —   | 0.04 | 4.0        | 4.5         | μA    | 3.0        |   |  |
| D026   |                        | —   | 10   | 39         | 45          | μA    | 2.3        | A/D Current (Note 1, Note 3), no conversion in progress     |  |
|  |                        | —   | 11   | 43         | 49          | μA    | 3.0        |   |  |
|  |                        | —   | 12   | 46         | 65          | μA    | 5.0        |   |  |
| D026A*   |                        | —   | 250  | 1.5        | 3.0         | μA    | 1.8        | A/D Current (Note 1, Note 3), conversion in progress        |  |
|  |                        | —   | 250  | 2.0        | 3.5         | μA    | 3.0        |   |  |
| D026A*   |                        | —   | 280  | 38         | 45          | μA    | 2.3        | A/D Current (Note 1, Note 3), conversion in progress        |  |
|  |                        | —   | 280  | 43         | 49          | μA    | 3.0        |   |  |
|  |                        | —   | 280  | 46         | 65          | μA    | 5.0        |   |  |

\* These parameters are characterized but not tested.

† Data in "Typ" column is at 3.0V, 25°C unless otherwise stated. These parameters are for design guidance only and are not tested.

**Legend:** TBD = To Be Determined

**Note 1:** The peripheral current is the sum of the base IDD or IPD and the additional current consumed when this peripheral is enabled. The peripheral Δ current can be determined by subtracting the base IDD or IPD current from this limit. Max values should be used when calculating total current consumption.

**2:** The power-down current in Sleep mode does not depend on the oscillator type. Power-down current is measured with the part in Sleep mode, with all I/O pins in high-impedance state and tied to VDD.

**3:** A/D oscillator source is FRC.

# PIC12(L)F1501

## 27.3 DC Characteristics: PIC12(L)F1501-I/E (Power-Down) (Continued)

| PIC12LF1501  |                        | Standard Operating Conditions (unless otherwise stated)                                     |      |            |             |       |            |                                 |
|--|------------------------|---|------|------------|-------------|-------|------------|---------------------------------|
|  |                        | Operating temperature -40°C ≤ TA ≤ +85°C for industrial<br>-40°C ≤ TA ≤ +125°C for extended |      |            |             |       |            |                                 |
| PIC12F1501   |                        | Standard Operating Conditions (unless otherwise stated)                                     |      |            |             |       |            |                                 |
|  |                        | Operating temperature -40°C ≤ TA ≤ +85°C for industrial<br>-40°C ≤ TA ≤ +125°C for extended |      |            |             |       |            |                                 |
| Param No.  | Device Characteristics | Min.  | Typ† | Max. +85°C | Max. +125°C | Units | Conditions |                                 |
|  |                        |   |      |            |             |       | VDD        | Note                            |
| <b>Power-down Base Current (IPD)<sup>(2)</sup></b> |                        |   |      |            |             |       |            |                                 |
| D027*  |                        | —   | 20   | 43         | 55          | μA    | 1.8        | 1 Comparator Enabled (HP Mode)  |
|  |                        | —   | 21   | 45         | 60          | μA    | 3.0        |                                 |
| D027*  |                        | —   | 30   | 53         | 65          | μA    | 2.3        | 1 Comparator Enabled (HP Mode)  |
|  |                        | —   | 31   | 57         | 70          | μA    | 3.0        |                                 |
|  |                        | —   | 32   | 61         | 75          | μA    | 5.0        |                                 |
| D027A*   |                        | —   | 7    | 20         | 35          | μA    | 1.8        | 1 Comparator Enabled (LP Mode)  |
|  |                        | —   | 80   | 25         | 40          | μA    | 3.0        |                                 |
| D027A*   |                        | —   | 17   | 30         | 45          | μA    | 2.3        | 1 Comparator Enabled (LP Mode)  |
|  |                        | —   | 18   | 37         | 55          | μA    | 3.0        |                                 |
|  |                        | —   | 19   | 40         | 60          | μA    | 5.0        |                                 |
| D028*  |                        | —   | 21   | 44         | 56          | μA    | 1.8        | 2 Comparators Enabled (HP Mode) |
|  |                        | —   | 22   | 46         | 61          | μA    | 3.0        |                                 |
| D028*  |                        | —   | 31   | 54         | 66          | μA    | 2.3        | 2 Comparators Enabled (HP Mode) |
|  |                        | —   | 32   | 58         | 71          | μA    | 3.0        |                                 |
|  |                        | —   | 33   | 62         | 76          | μA    | 5.0        |                                 |
| D028A*   |                        | —   | 8    | 21         | 36          | μA    | 1.8        | 2 Comparators Enabled (LP Mode) |
|  |                        | —   | 81   | 26         | 41          | μA    | 3.0        |                                 |
| D028A*   |                        | —   | 18   | 31         | 46          | μA    | 2.3        | 2 Comparators Enabled (LP Mode) |
|  |                        | —   | 19   | 38         | 56          | μA    | 3.0        |                                 |
|  |                        | —   | 20   | 41         | 61          | μA    | 5.0        |                                 |

\* These parameters are characterized but not tested.

† Data in "Typ" column is at 3.0V, 25°C unless otherwise stated. These parameters are for design guidance only and are not tested.

**Legend:** TBD = To Be Determined

**Note 1:** The peripheral current is the sum of the base IDD or IPD and the additional current consumed when this peripheral is enabled. The peripheral A current can be determined by subtracting the base IDD or IPD current from this limit. Max values should be used when calculating total current consumption.

**2:** The power-down current in Sleep mode does not depend on the oscillator type. Power-down current is measured with the part in Sleep mode, with all I/O pins in high-impedance state and tied to VDD.

**3:** A/D oscillator source is FRC.



## 27.3 DC Characteristics: PIC12(L)F1501-I/E (Power-Down) (Continued)

| PIC12LF1501  |                        | Standard Operating Conditions (unless otherwise stated)                                     |      |            |             |       |            |                              |
|--|------------------------|---|------|------------|-------------|-------|------------|------------------------------|
|  |                        | Operating temperature -40°C ≤ TA ≤ +85°C for industrial<br>-40°C ≤ TA ≤ +125°C for extended |      |            |             |       |            |                              |
| PIC12F1501   |                        | Standard Operating Conditions (unless otherwise stated)                                     |      |            |             |       |            |                              |
|  |                        | Operating temperature -40°C ≤ TA ≤ +85°C for industrial<br>-40°C ≤ TA ≤ +125°C for extended |      |            |             |       |            |                              |
| Param No.  | Device Characteristics | Min.  | Typ† | Max. +85°C | Max. +125°C | Units | Conditions |                              |
|  |                        |   |      |            |             |       | VDD        | Note                         |
| <b>Power-down Base Current (IPD) in Low-Power Sleep mode<sup>(2)</sup></b> |                        |   |      |            |             |       |            |                              |
| D029A  |                        | —   | 0.1  | 1.5        | 2.0         | μA    | 2.3        | Base                         |
|  |                        |   | 0.2  | 1.7        | 2.3         | μA    | 3.0        |                              |
|  |                        |   | 0.3  | 1.9        | 2.5         | μA    | 5.0        |                              |
| D029B  |                        | —   | 18   | 40         | 45          | μA    | 2.3        | FVR Enabled                  |
|  |                        |   | 18.5 | 45         | 50          | μA    | 3.0        |                              |
|  |                        |   | 19   | 47         | 52          | μA    | 5.0        |                              |
| D029C  |                        | —   | 8.0  | 20         | 25          | μA    | 3.0        | BOR Enabled                  |
|  |                        |   | 9.5  | 24         | 30          | μA    | 5.0        |                              |
| D029D  |                        | —   | 3.2  | 13         | 18          | μA    | 2.3        | Comparator Enabled (LP mode) |
|  |                        |   | 3.5  | 14         | 19          | μA    | 3.0        |                              |
|  |                        |   | 3.6  | 15         | 20          | μA    | 5.0        |                              |
| D029E  |                        | —   | 17.0 | 40         | 45          | μA    | 2.3        | Comparator Enabled (HP mode) |
|  |                        |   | 17.5 | 42         | 47          | μA    | 3.0        |                              |
|  |                        |   | 18.0 | 43         | 48          | μA    | 5.0        |                              |

\* These parameters are characterized but not tested.

† Data in "Typ" column is at 3.0V, 25°C unless otherwise stated. These parameters are for design guidance only and are not tested.

**Legend:** TBD = To Be Determined

- Note 1:** The peripheral current is the sum of the base IDD or IPD and the additional current consumed when this peripheral is enabled. The peripheral Δ current can be determined by subtracting the base IDD or IPD current from this limit. Max values should be used when calculating total current consumption.
- 2:** The power-down current in Sleep mode does not depend on the oscillator type. Power-down current is measured with the part in Sleep mode, with all I/O pins in high-impedance state and tied to VDD.
- 3:** A/D oscillator source is FRC.

# PIC12(L)F1501

## 27.4 DC Characteristics: PIC12(L)F1501-I/E

| DC CHARACTERISTICS            |                               |  | Standard Operating Conditions (unless otherwise stated)<br>Operating temperature $-40^{\circ}\text{C} \leq T_A \leq +85^{\circ}\text{C}$ for industrial<br>$-40^{\circ}\text{C} \leq T_A \leq +125^{\circ}\text{C}$ for extended |                     |                         |  |   |
|-------------------------------|-------------------------------|--|--|---------------------|-------------------------|--|---|
| Param No.                     | Sym.                          | Characteristic                                 | Min.   | Typ†                | Max.                    | Units                                      | Conditions  |
| D030<br>D030A<br>D031<br>D032 | V <sub>IL</sub>               | <b>Input Low Voltage</b>                       |  |                     |                         |  |   |
|                               |                               | I/O PORT:<br>with TTL buffer                   | —  | —                   | 0.8                     | V  | $4.5\text{V} \leq V_{DD} \leq 5.5\text{V}$  |
|                               | V <sub>IH</sub>               | with Schmitt Trigger buffer                    | —  | —                   | $0.15 V_{DD}$           | V  | $1.8\text{V} \leq V_{DD} \leq 4.5\text{V}$  |
|                               |                               | MCLR   | —  | —                   | $0.2 V_{DD}$            | V  | $2.0\text{V} \leq V_{DD} \leq 5.5\text{V}$  |
|                               |                               | <b>Input High Voltage</b>                      |  |                     |                         |  |   |
| D040<br>D040A<br>D041<br>D042 | I/O ports:<br>with TTL buffer |  | 2.0  | —                   | —                       | V  | $4.5\text{V} \leq V_{DD} \leq 5.5\text{V}$  |
|                               |                               |  | $0.25 V_{DD} + 0.8$  | —                   | —                       | V  | $1.8\text{V} \leq V_{DD} \leq 4.5\text{V}$  |
|                               | with Schmitt Trigger buffer   | $0.8 V_{DD}$                                   | —  | —                   | V                       | $2.0\text{V} \leq V_{DD} \leq 5.5\text{V}$ |   |
|                               | MCLR                          | $0.8 V_{DD}$                                   | —  | —                   | V                       |  |   |
| D060<br>D061                  | I <sub>IL</sub>               | <b>Input Leakage Current<sup>(1)</sup></b>     |  |                     |                         |  |   |
|                               |                               | I/O ports                                      | —  | $\pm 5$             | $\pm 125$               | nA   | $V_{SS} \leq V_{PIN} \leq V_{DD}$ , Pin at high-impedance at $85^{\circ}\text{C}$   |
|                               |                               | MCLR <sup>(2)</sup>                            | —  | $\pm 5$<br>$\pm 50$ | $\pm 1000$<br>$\pm 200$ | nA   | $V_{SS} \leq V_{PIN} \leq V_{DD}$ at $85^{\circ}\text{C}$   |
| D070*                         | I <sub>PUR</sub>              | <b>Weak Pull-up Current</b>                    |  |                     |                         |  |   |
|                               |                               |  | 25<br>25   | 100<br>140          | 200<br>300              | $\mu\text{A}$                              | $V_{DD} = 3.3\text{V}$ , $V_{PIN} = V_{SS}$<br>$V_{DD} = 5.0\text{V}$ , $V_{PIN} = V_{SS}$  |
| D080                          | V <sub>OL</sub>               | <b>Output Low Voltage<sup>(3)</sup></b>        |  |                     |                         |  |   |
|                               |                               | I/O ports                                      | —  | —                   | 0.6                     | V  | I <sub>OL</sub> = 8mA, $V_{DD} = 5\text{V}$<br>I <sub>OL</sub> = 6mA, $V_{DD} = 3.3\text{V}$<br>I <sub>OL</sub> = 1.8mA, $V_{DD} = 1.8\text{V}$ |
| D090                          | V <sub>OH</sub>               | <b>Output High Voltage<sup>(3)</sup></b>       |  |                     |                         |  |   |
|                               |                               | I/O ports                                      | $V_{DD} - 0.7$   | —                   | —                       | V  | I <sub>OH</sub> = 3.5mA, $V_{DD} = 5\text{V}$<br>I <sub>OH</sub> = 3mA, $V_{DD} = 3.3\text{V}$<br>I <sub>OH</sub> = 1mA, $V_{DD} = 1.8\text{V}$ |
| D101A*                        | C <sub>IO</sub>               | <b>Capacitive Loading Specs on Output Pins</b> |  |                     |                         |  |   |
|                               |                               | All I/O pins                                   | —  | —                   | 50                      | pF   |   |

\* These parameters are characterized but not tested.

† Data in "Typ" column is at 3.0V, 25°C unless otherwise stated. These parameters are for design guidance only and are not tested.

**Note 1:** Negative current is defined as current sourced by the pin.

**2:** The leakage current on the MCLR pin is strongly dependent on the applied voltage level. The specified levels represent normal operating conditions. Higher leakage current may be measured at different input voltages.

**3:** Including OSC2 in CLKOUT mode.

## 27.5 Memory Programming Requirements

| DC CHARACTERISTICS                               |        |   | Standard Operating Conditions (unless otherwise stated)<br>Operating temperature $-40^{\circ}\text{C} \leq T_A \leq +125^{\circ}\text{C}$ |      |          |       |   |
|--|--------|---|---|------|----------|-------|---|
| Param No.  | Sym.   | Characteristic  | Min.  | Typ† | Max.     | Units | Conditions                                    |
| <b>Program Memory Programming Specifications</b> |        |   |   |      |          |       |   |
| D110   | VIHH   | Voltage on $\overline{\text{MCLR}}/\text{VPP}$ pin                | 8.0   | —    | 9.0      | V     | (Note 2)                                      |
| D111   | IDDP   | Supply Current during Programming                                 | —   | —    | 10       | mA    |   |
| D112   | VBE    | VDD for Bulk Erase  | 2.7   | —    | VDD max. | V     |   |
| D113   | VPEW   | VDD for Write or Row Erase  | VDD min.  | —    | VDD max. | V     |   |
| D114   | IPPPGM | Current on $\overline{\text{MCLR}}/\text{VPP}$ during Erase/Write | —   | 1.0  | —        | mA    |   |
| D115   | IDDPGM | Current on VDD during Erase/Write                                 | —   | 5.0  | —        | mA    |   |
| <b>Program Flash Memory</b>                      |        |   |   |      |          |       |   |
| D121   | EP     | Cell Endurance  | 10K   | —    | —        | E/W   | -40°C to +85°C (Note 1)                       |
| D122   | VPR    | VDD for Read  | VDD min.  | —    | VDD max. | V     |   |
| D123   | TIW    | Self-timed Write Cycle Time                                       | —   | 2    | 2.5      | ms    | Provided no other specifications are violated |
| D124   | TRETD  | Characteristic Retention  | —   | 40   | —        | Year  |   |
| D125   | EHEFC  | High-Endurance Flash Cell   | 100K  | —    | —        | E/W   |   |

† Data in "Typ" column is at 3.0V, 25°C unless otherwise stated. These parameters are for design guidance only and are not tested.

**Note 1:** Self-write and Block Erase.

**Note 2:** Required only if single-supply programming is disabled.

# PIC12(L)F1501

## 27.6 Thermal Considerations

| Standard Operating Conditions (unless otherwise stated)                        |                |  |       |                             |  |
|--|----------------|--|-------|-----------------------------|--|
| Operating temperature $-40^{\circ}\text{C} \leq T_A \leq +125^{\circ}\text{C}$ |                |  |       |                             |  |
| Param No.  | Sym.           | Characteristic                         | Typ.  | Units                       | Conditions   |
| TH01   | $\theta_{JA}$  | Thermal Resistance Junction to Ambient | 89.3  | $^{\circ}\text{C}/\text{W}$ | 8-pin PDIP package   |
|  |                |  | 149.5 | $^{\circ}\text{C}/\text{W}$ | 8-pin SOIC package   |
|  |                |  | 211   | $^{\circ}\text{C}/\text{W}$ | 8-pin MSOP package   |
|  |                |  | 56.7  | $^{\circ}\text{C}/\text{W}$ | 8-pin DFN 3X3mm package  |
|  |                |  | 68    | $^{\circ}\text{C}/\text{W}$ | 8-pin DFN 2X3mm package  |
| TH02   | $\theta_{JC}$  | Thermal Resistance Junction to Case    | 43.1  | $^{\circ}\text{C}/\text{W}$ | 8-pin PDIP package   |
|  |                |  | 39.9  | $^{\circ}\text{C}/\text{W}$ | 8-pin SOIC package   |
|  |                |  | 39    | $^{\circ}\text{C}/\text{W}$ | 8-pin MSOP package   |
|  |                |  | 9     | $^{\circ}\text{C}/\text{W}$ | 8-pin DFN 3X3mm package  |
|  |                |  | 12.7  | $^{\circ}\text{C}/\text{W}$ | 8-pin DFN 2X3mm package  |
| TH03   | $T_{JMAX}$     | Maximum Junction Temperature           | 150   | $^{\circ}\text{C}$          |  |
| TH04   | PD             | Power Dissipation                      | —     | W                           | $PD = P_{INTERNAL} + P_{I/O}$  |
| TH05   | $P_{INTERNAL}$ | Internal Power Dissipation             | —     | W                           | $P_{INTERNAL} = I_{DD} \times V_{DD}^{(1)}$                                      |
| TH06   | $P_{I/O}$      | I/O Power Dissipation                  | —     | W                           | $P_{I/O} = \sum (I_{OL} \times V_{OL}) + \sum (I_{OH} \times (V_{DD} - V_{OH}))$ |
| TH07   | $P_{DER}$      | Derated Power                          | —     | W                           | $P_{DER} = PD_{MAX} (T_J - T_A) / \theta_{JA}^{(2)}$                             |

**Note 1:**  $I_{DD}$  is current to run the chip alone without driving any load on the output pins.

**Note 2:**  $T_A$  = Ambient Temperature.

**Note 3:**  $T_J$  = Junction Temperature.

PRELIMINARY

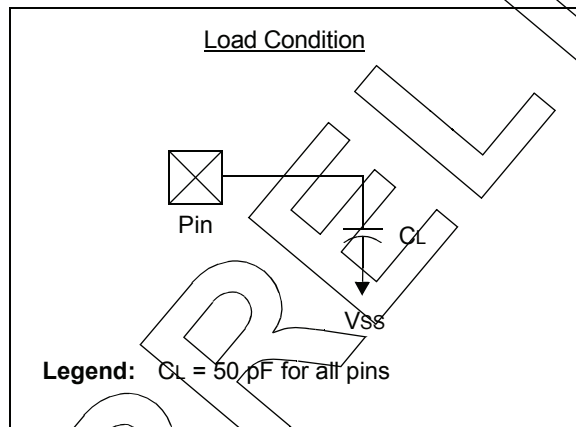
## 27.7 Timing Parameter Symbology

The timing parameter symbols have been created with one of the following formats:

1. TppS2ppS
2. TppS

|  |                          |           |                                    |
|--|--------------------------|-----------|------------------------------------|
| <b>T</b>                                   |                          | <b>T</b>  |                                    |
| F  | Frequency                | T         | Time                               |
| Lowercase letters (pp) and their meanings: |                          |           |                                    |
| <b>pp</b>                                  |                          | <b>pp</b> |                                    |
| cc   | CCP1                     | osc       | CLKIN                              |
| ck   | CLKOUT                   | rd        | $\overline{RD}$                    |
| cs   | $\overline{CS}$          | rw        | $\overline{RD}$ or $\overline{WR}$ |
| di   | SDIx                     | sc        | SCKx                               |
| do   | SDO                      | ss        | $\overline{SS}$                    |
| dt   | Data in                  | t0        | T0CKI                              |
| io   | I/O PORT                 | t1        | T1CKI                              |
| mc   | MCLR                     | wr        | $\overline{WR}$                    |
| Uppercase letters and their meanings:      |                          |           |                                    |
| <b>S</b>                                   |                          | <b>S</b>  |                                    |
| F  | Fall                     | P         | Period                             |
| H  | High                     | R         | Rise                               |
| I  | Invalid (High-impedance) | V         | Valid                              |
| L  | Low                      | Z         | High-impedance                     |

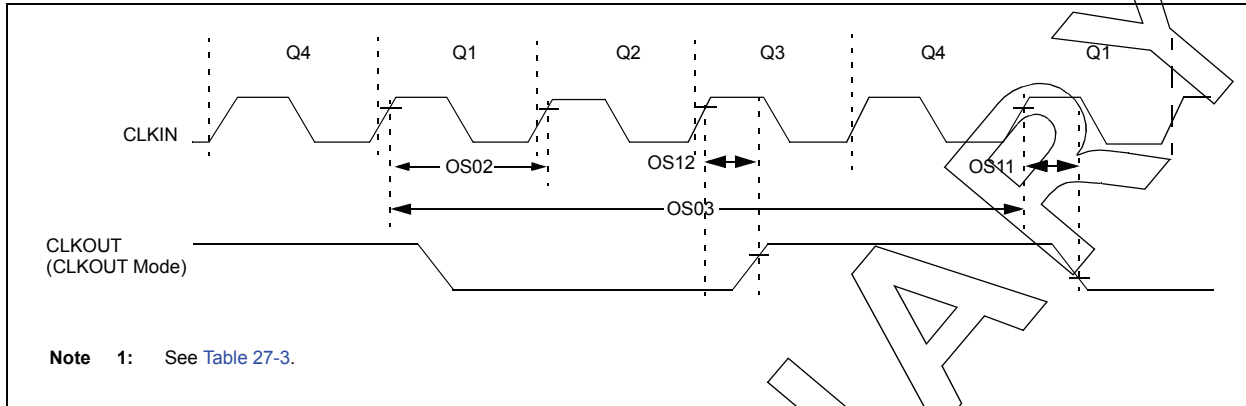
**FIGURE 27-4: LOAD CONDITIONS**



# PIC12(L)F1501

## 27.8 AC Characteristics: PIC12(L)F1501-I/E

**FIGURE 27-5: CLOCK TIMING**



Note 1: See Table 27-3.

**TABLE 27-1: CLOCK OSCILLATOR TIMING REQUIREMENTS**

| Standard Operating Conditions (unless otherwise stated)                        |      |   |      |      |          |       |                             |
|--|------|---|------|------|----------|-------|-----------------------------|
| Operating temperature $-40^{\circ}\text{C} \leq T_A \leq +125^{\circ}\text{C}$ |      |   |      |      |          |       |                             |
| Param No.  | Sym. | Characteristic                          | Min. | Typ† | Max.     | Units | Conditions                  |
| OS01   | FOSC | External CLKIN Frequency <sup>(1)</sup> | DC   | —    | 0.5      | MHz   | EC Oscillator mode (low)    |
|  |      |   | DC   | —    | 4        | MHz   | EC Oscillator mode (medium) |
|  |      |   | DC   | —    | 20       | MHz   | EC Oscillator mode (high)   |
| OS02   | TOSC | External CLKIN Period <sup>(1)</sup>    | 50   | —    | $\infty$ | ns    | EC mode                     |
| OS03   | TCY  | Instruction Cycle Time <sup>(1)</sup>   | 200  | —    | DC       | ns    | $TCY = FOSC/4$              |

\* These parameters are characterized but not tested.

† Data in "Typ" column is at 3.0V, 25°C unless otherwise stated. These parameters are for design guidance only and are not tested.

**Note 1:** Instruction cycle period (TCY) equals four times the input oscillator time base period. All specified values are based on characterization data for that particular oscillator type under standard operating conditions with the device executing code. Exceeding these specified limits may result in an unstable oscillator operation and/or higher than expected current consumption. All devices are tested to operate at "min" values with an external clock applied to CLKIN pin. When an external clock input is used, the "max" cycle time limit is "DC" (no clock) for all devices.

**TABLE 27-2: OSCILLATOR PARAMETERS**

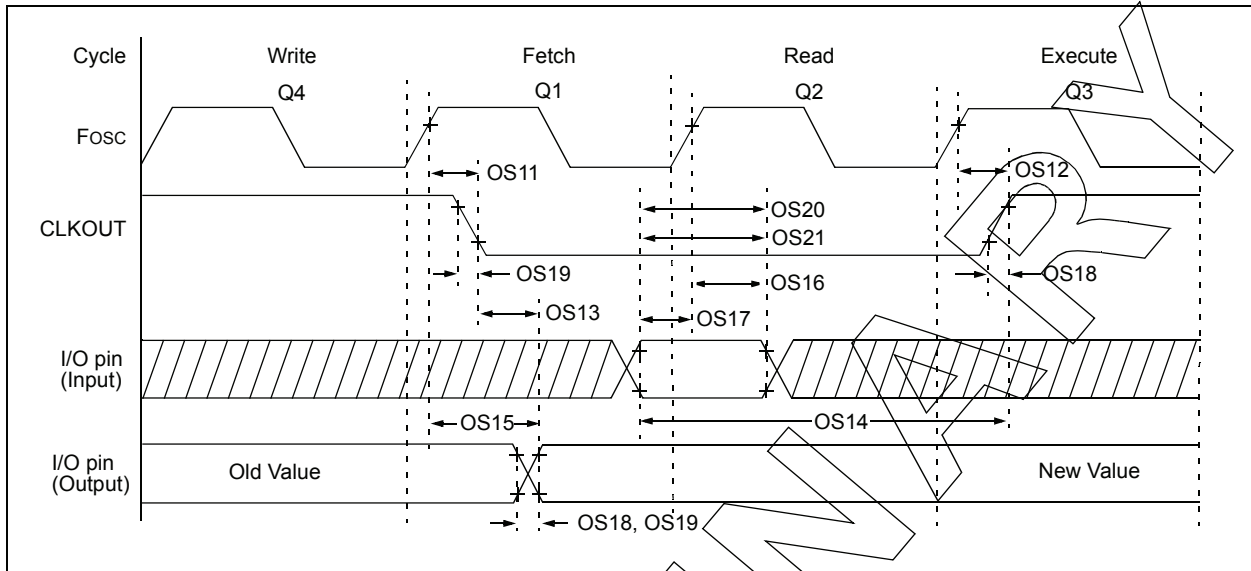
| Standard Operating Conditions (unless otherwise stated)                        |          |   |                 |      |      |      |               |  |
|--|----------|---|-----------------|------|------|------|---------------|--|
| Operating Temperature $-40^{\circ}\text{C} \leq T_A \leq +125^{\circ}\text{C}$ |          |   |                 |      |      |      |               |  |
| Param No.  | Sym.     | Characteristic  | Freq. Tolerance | Min. | Typ† | Max. | Units         | Conditions   |
| OS08   | HFOSC    | Internal Calibrated HFINTOSC Frequency <sup>(1)</sup> | $\pm 10\%$      | —    | 16.0 | —    | MHz           | $0^{\circ}\text{C} \leq T_A \leq +85^{\circ}\text{C}$    |
| OS09   | LFOSC    | Internal LFINTOSC Frequency                           | —               | —    | 31   | —    | kHz           | $-40^{\circ}\text{C} \leq T_A \leq +125^{\circ}\text{C}$ |
| OS10*  | TIOSC ST | HFINTOSC Wake-up from Sleep Start-up Time             | —               | —    | 5    | 8    | $\mu\text{s}$ |  |

\* These parameters are characterized but not tested.

† Data in "Typ" column is at 3.0V, 25°C unless otherwise stated. These parameters are for design guidance only and are not tested.

**Note 1:** To ensure these oscillator frequency tolerances, VDD and VSS must be capacitively decoupled as close to the device as possible. 0.1  $\mu\text{F}$  and 0.01  $\mu\text{F}$  values in parallel are recommended.

**FIGURE 27-6: CLKOUT AND I/O TIMING**



**TABLE 27-3: CLKOUT AND I/O TIMING PARAMETERS**

| Standard Operating Conditions (unless otherwise stated)<br>Operating Temperature $-40^{\circ}\text{C} \leq T_A \leq +125^{\circ}\text{C}$ |          |   |               |          |          |       |                          |
|---|----------|---|---------------|----------|----------|-------|--------------------------|
| Param No.   | Sym.     | Characteristic  | Min.          | Typ†     | Max.     | Units | Conditions               |
| OS11  | TosH2ckL | Fosc $\uparrow$ to CLKOUT $\downarrow$ <sup>(1)</sup>               | —             | —        | 70       | ns    | VDD = 3.3-5.0V           |
| OS12  | TosH2ckH | Fosc $\uparrow$ to CLKOUT $\uparrow$ <sup>(1)</sup>                 | —             | —        | 72       | ns    | VDD = 3.3-5.0V           |
| OS13  | TckL2ioV | CLKOUT $\downarrow$ to Port out valid <sup>(1)</sup>                | —             | —        | 20       | ns    |                          |
| OS14  | TioV2ckH | Port input valid before CLKOUT $\uparrow$ <sup>(1)</sup>            | Tosc + 200 ns | —        | —        | ns    |                          |
| OS15  | TosH2ioV | Fosc $\uparrow$ (Q1 cycle) to Port out valid                        | —             | 50       | 70*      | ns    | VDD = 3.3-5.0V           |
| OS16  | TosH2ioL | Fosc $\uparrow$ (Q2 cycle) to Port input invalid (I/O in hold time) | 50            | —        | —        | ns    | VDD = 3.3-5.0V           |
| OS17  | TioV2osH | Port input valid to Fosc $\uparrow$ (Q2 cycle) (I/O in setup time)  | 20            | —        | —        | ns    |                          |
| OS18*   | TioR     | Port output rise time <sup>(2)</sup>                                | —             | 15<br>40 | 32<br>72 | ns    | VDD = 2.0V<br>VDD = 5.0V |
| OS19*   | TioF     | Port output fall time <sup>(2)</sup>                                | —             | 28<br>15 | 55<br>30 | ns    | VDD = 2.0V<br>VDD = 5.0V |
| OS20*   | Timp     | INT pin input high or low time                                      | 25            | —        | —        | ns    |                          |
| OS21*   | Tioc     | Interrupt-on-change new input level time                            | 25            | —        | —        | ns    |                          |

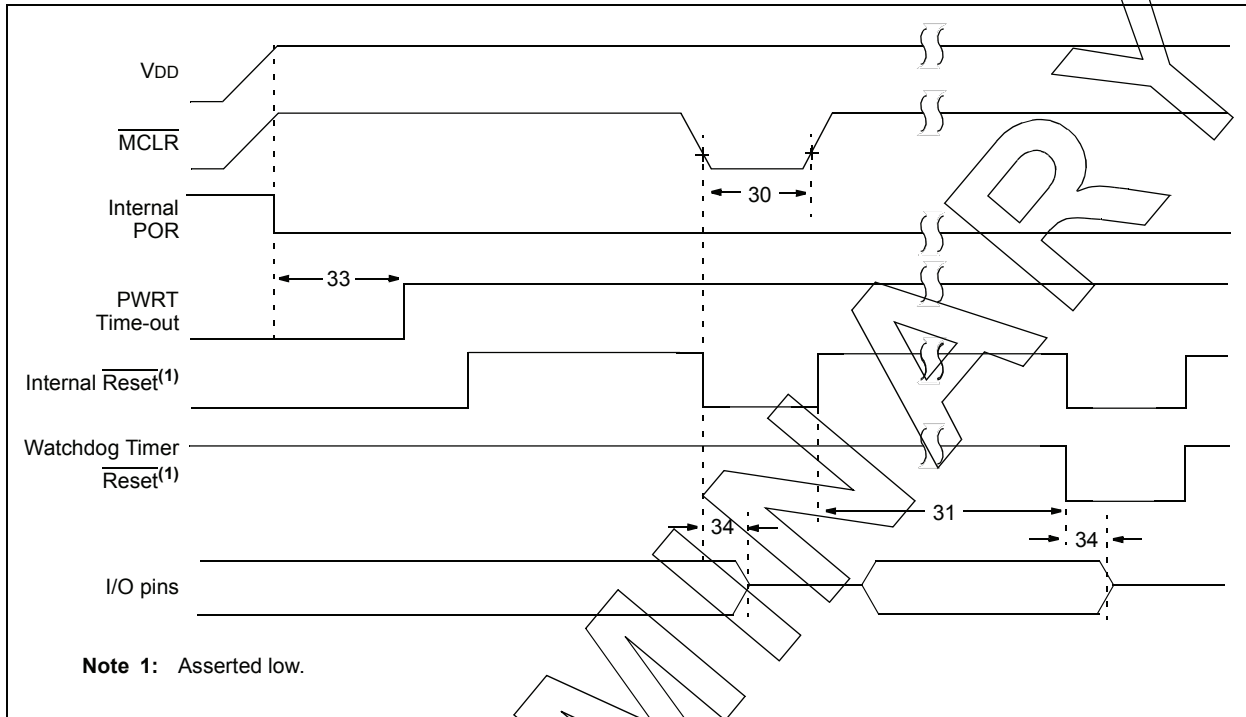
\* These parameters are characterized but not tested.

† Data in "Typ" column is at 3.0V, 25°C unless otherwise stated.

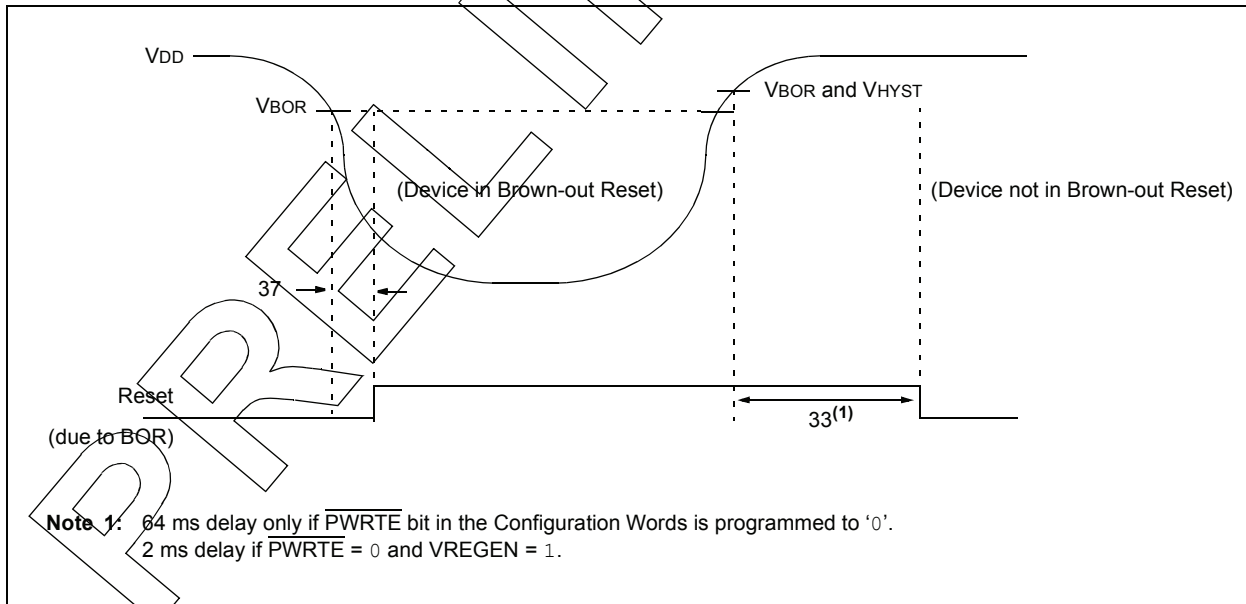
**Note 1:** Measurements are taken in EC mode where CLKOUT output is 4 x Tosc.

# PIC12(L)F1501

**FIGURE 27-7: RESET, WATCHDOG TIMER, OSCILLATOR START-UP TIMER AND POWER-UP TIMER TIMING**



**FIGURE 27-8: BROWN-OUT RESET TIMING AND CHARACTERISTICS**





**TABLE 27-4: RESET, WATCHDOG TIMER, OSCILLATOR START-UP TIMER, POWER-UP TIMER AND BROWN-OUT RESET PARAMETERS**

| Standard Operating Conditions (unless otherwise stated)<br>Operating Temperature $-40^{\circ}\text{C} \leq T_A \leq +125^{\circ}\text{C}$ |        |  |          |      |      |               |  |            |
|---|--------|--|----------|------|------|---------------|--|------------|
| Param No.   | Sym.   | Characteristic   | Min.     | Typ† | Max. | Units         | Conditions   |            |
| 30  | TMCL   | MCLR Pulse Width (low)                                   | 2        | —    | —    | $\mu\text{s}$ | $V_{DD} = 3.3\text{-}5\text{V}$ , $-40^{\circ}\text{C}$ to $+85^{\circ}\text{C}$ |            |
|   |        |  | 5        | —    | —    | $\mu\text{s}$ | $V_{DD} = 3.3\text{-}5\text{V}$  |            |
| 31  | TWDTLP | Low-Power Watchdog Timer Time-out Period                 | 10       | 16   | 27   | ms            | $V_{DD} = 3.3\text{V}\text{-}5\text{V}$ ,<br>1:16 Prescaler used                 |            |
| 33*   | TPWRT  | Power-up Timer Period, $\text{PWRTE} = 0$                | 40       | 65   | 140  | ms            |  |            |
| 34*   | TIOZ   | I/O high-impedance from MCLR Low or Watchdog Timer Reset | —        | —    | 2.0  | $\mu\text{s}$ |  |            |
| 35  | VBOR   | Brown-out Reset Voltage: $\text{BORV} = 0$               | 2.55     | 2.70 | 2.85 | V             | PIC12(L)F1501  |            |
|   |        |  | BORV = 1 | 2.30 | 2.40 | 2.55          | V  | PIC12F1501 |
|   |        |  | 1.80     | 1.90 | 2.05 | V             | PIC12LF1501  |            |
| 36*   | VHYST  | Brown-out Reset Hysteresis                               | 0        | 25   | 50   | mV            | $-40^{\circ}\text{C}$ to $+85^{\circ}\text{C}$                                   |            |
| 37*   | TBORDC | Brown-out Reset DC Response Time                         | 1        | 3    | 5    | $\mu\text{s}$ | $V_{DD} \leq V_{BOR}$  |            |

\* These parameters are characterized but not tested.

† Data in "Typ" column is at 3.0V, 25°C unless otherwise stated. These parameters are for design guidance only and are not tested.

**Note 1:** To ensure these voltage tolerances,  $V_{DD}$  and  $V_{SS}$  must be capacitively decoupled as close to the device as possible. 0.1  $\mu\text{F}$  and 0.01  $\mu\text{F}$  values in parallel are recommended.

**FIGURE 27-9: TIMER0 AND TIMER1 EXTERNAL CLOCK TIMINGS**



# PIC12(L)F1501

**TABLE 27-5: TIMER0 AND TIMER1 EXTERNAL CLOCK REQUIREMENTS**

| Standard Operating Conditions (unless otherwise stated)                        |           |   |                             |   |      |             |       |                                     |
|--|-----------|---|-----------------------------|---|------|-------------|-------|-------------------------------------|
| Operating Temperature $-40^{\circ}\text{C} \leq T_A \leq +125^{\circ}\text{C}$ |           |   |                             |   |      |             |       |                                     |
| Param No.  | Sym.      | Characteristic                                    |                             | Min.                                      | Typ† | Max.        | Units | Conditions                          |
| 40*  | Tt0H      | T0CKI High Pulse Width                            | No Prescaler                | $0.5 T_{CY} + 20$                         | —    | —           | ns    | N = prescale value (2, 4, ..., 256) |
|  |           |   | With Prescaler              | 10  | —    | —           | ns    |                                     |
| 41*  | Tt0L      | T0CKI Low Pulse Width                             | No Prescaler                | $0.5 T_{CY} + 20$                         | —    | —           | ns    |                                     |
|  |           |   | With Prescaler              | 10  | —    | —           | ns    |                                     |
| 42*  | Tt0P      | T0CKI Period                                      |                             | Greater of:<br>$20$ or $T_{CY} + 40$<br>N | —    | —           | ns    |                                     |
| 45*  | Tt1H      | T1CKI High Time                                   | Synchronous, No Prescaler   | $0.5 T_{CY} + 20$                         | —    | —           | ns    |                                     |
|  |           |   | Synchronous, with Prescaler | 15  | —    | —           | ns    |                                     |
|  |           |   | Asynchronous                | 30  | —    | —           | ns    |                                     |
| 46*  | Tt1L      | T1CKI Low Time                                    | Synchronous, No Prescaler   | $0.5 T_{CY} + 20$                         | —    | —           | ns    |                                     |
|  |           |   | Synchronous, with Prescaler | 15  | —    | —           | ns    |                                     |
|  |           |   | Asynchronous                | 30  | —    | —           | ns    |                                     |
| 47*  | Tt1P      | T1CKI Input Period                                | Synchronous                 | Greater of:<br>$30$ or $T_{CY} + 40$<br>N | —    | —           | ns    | N = prescale value (1, 2, 4, 8)     |
|  |           |   | Asynchronous                | 60  | —    | —           | ns    |                                     |
| 49*  | TCKEZTMR1 | Delay from External Clock Edge to Timer Increment |                             | $2 T_{OSC}$                               | —    | $7 T_{OSC}$ | —     | Timers in Sync mode                 |

\* These parameters are characterized but not tested.

† Data in "Typ" column is at 3.0V, 25°C unless otherwise stated. These parameters are for design guidance only and are not tested.

**Note 1:** For proper operation, the minimum value of the ADC positive voltage reference must be 1.8V or greater. When selecting the FVR or the VREF+ pin as the source of the ADC positive voltage reference, be aware that the voltage must be 1.8V or greater.

**TABLE 27-6: PIC12(L)F1501 A/D CONVERTER (ADC) CHARACTERISTICS:**

| Standard Operating Conditions (unless otherwise stated) |      |  |      |      |           |       |   |
|---|------|--|------|------|-----------|-------|---|
| Operating temperature Tested at 25°C                    |      |  |      |      |           |       |   |
| Param No.   | Sym. | Characteristic                                 | Min. | Typ† | Max.      | Units | Conditions  |
| AD01  | NR   | Resolution                                     | —    | —    | 10        | bit   |   |
| AD02  | EIL  | Integral Error                                 | —    | —    | $\pm 1.7$ | LSb   | VREF = 3.0V   |
| AD03  | EDL  | Differential Error                             | —    | —    | $\pm 1$   | LSb   | No missing codes<br>VREF = 3.0V                                     |
| AD04  | EOFF | Offset Error                                   | —    | —    | $\pm 2.5$ | LSb   | VREF = 3.0V   |
| AD05  | EGN  | Gain Error                                     | —    | —    | $\pm 2.0$ | LSb   | VREF = 3.0V   |
| AD06  | VREF | Reference Voltage <sup>(3)</sup>               | 1.8  | —    | VDD       | V     | VREF = (VREF+ minus VREF-) ( <b>NOTE 5</b> )                        |
| AD07  | VAIN | Full-Scale Range                               | VSS  | —    | VREF      | V     |   |
| AD08  | ZAIN | Recommended Impedance of Analog Voltage Source | —    | —    | 10        | kΩ    | Can go higher if external 0.01μF capacitor is present on input pin. |

\* These parameters are characterized but not tested.

† Data in "Typ" column is at 3.0V, 25°C unless otherwise stated. These parameters are for design guidance only and are not tested.

**Note 1:** Total Absolute Error includes integral, differential, offset and gain errors.

**2:** The A/D conversion result never decreases with an increase in the input voltage and has no missing codes.

**3:** ADC VREF is from external VREF+ pin, VDD pin, whichever is selected as reference input.

**4:** When ADC is off, it will not consume any current other than leakage current. The power-down current specification includes any such leakage from the ADC module.

**5:** FVR voltage selected must be 2.048V or 4.096V.

**TABLE 27-7: PIC12(L)F1501 A/D CONVERSION REQUIREMENTS**

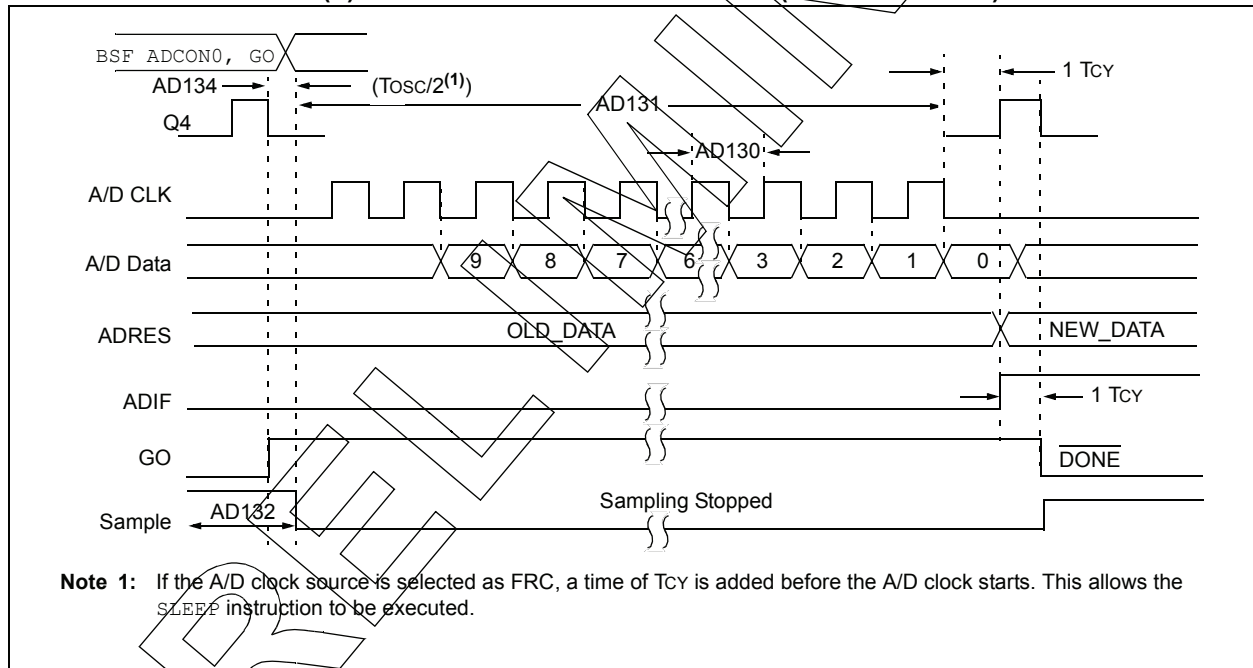
| Standard Operating Conditions (unless otherwise stated)                        |      |   |      |      |      |               |   |
|--|------|---|------|------|------|---------------|---|
| Operating temperature $-40^{\circ}\text{C} \leq T_A \leq +125^{\circ}\text{C}$ |      |   |      |      |      |               |   |
| Param No.  | Sym. | Characteristic  | Min. | Typ† | Max. | Units         | Conditions                                |
| AD130*   | TAD  | A/D Clock Period  | 1.0  | —    | 9.0  | $\mu\text{s}$ | Tosc-based<br>ADCS<1:0> = 11 (ADFRC mode) |
|  |      | A/D Internal FRC Oscillator Period                              | 1.0  | 1.6  | 6.0  | $\mu\text{s}$ |   |
| AD131  | TcNV | Conversion Time (not including Acquisition Time) <sup>(1)</sup> | —    | 11   | —    | TAD           | Set GO/DONE bit to conversion complete    |
| AD132*   | TACQ | Acquisition Time  | —    | 5.0  | —    | $\mu\text{s}$ |   |

\* These parameters are characterized but not tested.

† Data in "Typ" column is at 3.0V, 25°C unless otherwise stated. These parameters are for design guidance only and are not tested.

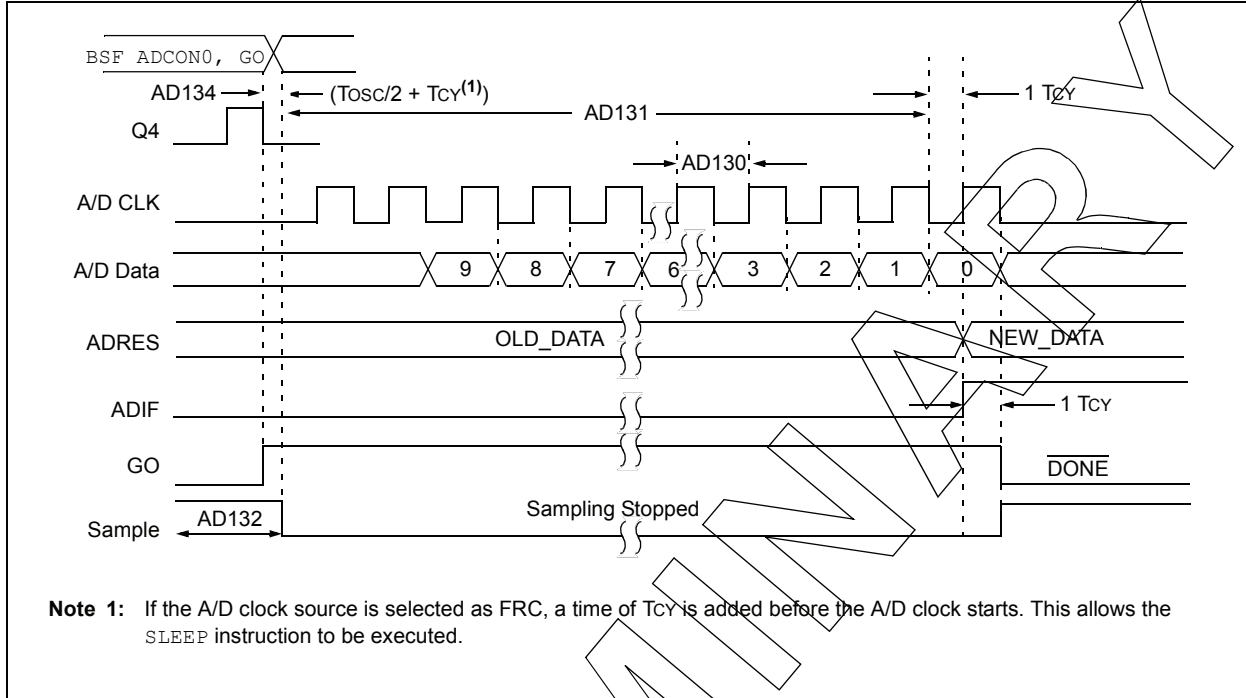
**Note 1:** The ADRES register may be read on the following TcY cycle.

**FIGURE 27-10: PIC12(L)F1501 A/D CONVERSION TIMING (NORMAL MODE)**



# PIC12(L)F1501

**FIGURE 27-11: PIC12(L)F1501 A/D CONVERSION TIMING (SLEEP MODE)**



**TABLE 27-8: COMPARATOR SPECIFICATIONS**

| Operating Conditions: 1.8V < VDD < 5.5V, -40°C < TA < +125°C (unless otherwise stated). |         |  |      |      |      |       |                               |
|---|---------|--|------|------|------|-------|-------------------------------|
| Param No.   | Sym.    | Characteristics                        | Min. | Typ. | Max. | Units | Comments                      |
| CM01  | Vioff   | Input Offset Voltage                   | —    | ±7.5 | ±60  | mV    | High Power Mode, Vicm = VDD/2 |
| CM02  | Vicm    | Input Common Mode Voltage              | 0    | —    | VDD  | V     |                               |
| CM03*   | CMRR    | Common Mode Rejection Ratio            | —    | 50   | —    | dB    |                               |
| CM04A   | Tresp   | Response Time Rising Edge              | —    | 400  | 800  | ns    | High Power Mode               |
| CM04B   |         | Response Time Falling Edge             | —    | 200  | 400  | ns    | High Power Mode               |
| CM04C   |         | Response Time Rising Edge              | —    | 1200 | —    | ns    | Low Power Mode                |
| CM04D   |         | Response Time Falling Edge             | —    | 550  | —    | ns    |                               |
| CM05*   | Tmc2ov  | Comparator Mode Change to Output Valid | —    | —    | 10   | µs    |                               |
| CM06  | Chyster | Comparator Hysteresis                  | —    | 65   | —    | mV    | Hysteresis ON                 |

\* These parameters are characterized but not tested.

**TABLE 27-9: DIGITAL-TO-ANALOG CONVERTER (DAC) SPECIFICATIONS**

| Operating Conditions: 2.5V < VDD < 5.5V, -40°C < TA < +125°C (unless otherwise stated). |      |                              |      |        |       |       |          |
|---|------|------------------------------|------|--------|-------|-------|----------|
| Param No.   | Sym. | Characteristics              | Min. | Typ.   | Max.  | Units | Comments |
| DAC01*  | CLSB | Step Size                    | —    | VDD/32 | —     | V     |          |
| DAC02*  | CACC | Absolute Accuracy            | —    | —      | ± 1/2 | LSb   |          |
| DAC03*  | CR   | Unit Resistor Value (R)      | —    | 5000   | —     | Ω     |          |
| DAC04*  | CST  | Settling Time <sup>(1)</sup> | —    | —      | 10    | µs    |          |

\* These parameters are characterized but not tested.

**Note 1:** Settling time measured while DAC<4:0> transitions from '0000' to '1111'.

# PIC12(L)F1501

---

NOTES:

## 28.0 DC AND AC CHARACTERISTICS GRAPHS AND CHARTS

Graphs and charts are not available at this time.

# PIC12(L)F1501

---

NOTES:



## 29.0 DEVELOPMENT SUPPORT

The PIC<sup>®</sup> microcontrollers and dsPIC<sup>®</sup> digital signal controllers are supported with a full range of software and hardware development tools:

- Integrated Development Environment
  - MPLAB<sup>®</sup> IDE Software
- Compilers/Assemblers/Linkers
  - MPLAB C Compiler for Various Device Families
  - HI-TECH C<sup>®</sup> for Various Device Families
  - MPASM<sup>™</sup> Assembler
  - MPLINK<sup>™</sup> Object Linker/  
MPLIB<sup>™</sup> Object Librarian
  - MPLAB Assembler/Linker/Librarian for Various Device Families
- Simulators
  - MPLAB SIM Software Simulator
- Emulators
  - MPLAB REAL ICE<sup>™</sup> In-Circuit Emulator
- In-Circuit Debuggers
  - MPLAB ICD 3
  - PICKit<sup>™</sup> 3 Debug Express
- Device Programmers
  - PICKit<sup>™</sup> 2 Programmer
  - MPLAB PM3 Device Programmer
- Low-Cost Demonstration/Development Boards, Evaluation Kits, and Starter Kits

## 29.1 MPLAB Integrated Development Environment Software

The MPLAB IDE software brings an ease of software development previously unseen in the 8/16/32-bit microcontroller market. The MPLAB IDE is a Windows<sup>®</sup> operating system-based application that contains:

- A single graphical interface to all debugging tools
  - Simulator
  - Programmer (sold separately)
  - In-Circuit Emulator (sold separately)
  - In-Circuit Debugger (sold separately)
- A full-featured editor with color-coded context
- A multiple project manager
- Customizable data windows with direct edit of contents
- High-level source code debugging
- Mouse over variable inspection
- Drag and drop variables from source to watch windows
- Extensive on-line help
- Integration of select third party tools, such as IAR C Compilers

The MPLAB IDE allows you to:

- Edit your source files (either C or assembly)
- One-touch compile or assemble, and download to emulator and simulator tools (automatically updates all project information)
- Debug using:
  - Source files (C or assembly)
  - Mixed C and assembly
  - Machine code

MPLAB IDE supports multiple debugging tools in a single development paradigm, from the cost-effective simulators, through low-cost in-circuit debuggers, to full-featured emulators. This eliminates the learning curve when upgrading to tools with increased flexibility and power.

# PIC12(L)F1501

---

## 29.2 MPLAB C Compilers for Various Device Families

The MPLAB C Compiler code development systems are complete ANSI C compilers for Microchip's PIC18, PIC24 and PIC32 families of microcontrollers and the dsPIC30 and dsPIC33 families of digital signal controllers. These compilers provide powerful integration capabilities, superior code optimization and ease of use.

For easy source level debugging, the compilers provide symbol information that is optimized to the MPLAB IDE debugger.

## 29.3 HI-TECH C for Various Device Families

The HI-TECH C Compiler code development systems are complete ANSI C compilers for Microchip's PIC family of microcontrollers and the dsPIC family of digital signal controllers. These compilers provide powerful integration capabilities, omniscient code generation and ease of use.

For easy source level debugging, the compilers provide symbol information that is optimized to the MPLAB IDE debugger.

The compilers include a macro assembler, linker, pre-processor, and one-step driver, and can run on multiple platforms.

## 29.4 MPASM Assembler

The MPASM Assembler is a full-featured, universal macro assembler for PIC10/12/16/18 MCUs.

The MPASM Assembler generates relocatable object files for the MPLINK Object Linker, Intel® standard HEX files, MAP files to detail memory usage and symbol reference, absolute LST files that contain source lines and generated machine code and COFF files for debugging.

The MPASM Assembler features include:

- Integration into MPLAB IDE projects
- User-defined macros to streamline assembly code
- Conditional assembly for multi-purpose source files
- Directives that allow complete control over the assembly process

## 29.5 MPLINK Object Linker/ MPLIB Object Librarian

The MPLINK Object Linker combines relocatable objects created by the MPASM Assembler and the MPLAB C18 C Compiler. It can link relocatable objects from precompiled libraries, using directives from a linker script.

The MPLIB Object Librarian manages the creation and modification of library files of precompiled code. When a routine from a library is called from a source file, only the modules that contain that routine will be linked in with the application. This allows large libraries to be used efficiently in many different applications.

The object linker/library features include:

- Efficient linking of single libraries instead of many smaller files
- Enhanced code maintainability by grouping related modules together
- Flexible creation of libraries with easy module listing, replacement, deletion and extraction

## 29.6 MPLAB Assembler, Linker and Librarian for Various Device Families

MPLAB Assembler produces relocatable machine code from symbolic assembly language for PIC24, PIC32 and dsPIC devices. MPLAB C Compiler uses the assembler to produce its object file. The assembler generates relocatable object files that can then be archived or linked with other relocatable object files and archives to create an executable file. Notable features of the assembler include:

- Support for the entire device instruction set
- Support for fixed-point and floating-point data
- Command line interface
- Rich directive set
- Flexible macro language
- MPLAB IDE compatibility

## 29.7 MPLAB SIM Software Simulator

The MPLAB SIM Software Simulator allows code development in a PC-hosted environment by simulating the PIC MCUs and dsPIC® DSCs on an instruction level. On any given instruction, the data areas can be examined or modified and stimuli can be applied from a comprehensive stimulus controller. Registers can be logged to files for further run-time analysis. The trace buffer and logic analyzer display extend the power of the simulator to record and track program execution, actions on I/O, most peripherals and internal registers.

The MPLAB SIM Software Simulator fully supports symbolic debugging using the MPLAB C Compilers, and the MPASM and MPLAB Assemblers. The software simulator offers the flexibility to develop and debug code outside of the hardware laboratory environment, making it an excellent, economical software development tool.

## 29.8 MPLAB REAL ICE In-Circuit Emulator System

MPLAB REAL ICE In-Circuit Emulator System is Microchip's next generation high-speed emulator for Microchip Flash DSC and MCU devices. It debugs and programs PIC® Flash MCUs and dsPIC® Flash DSCs with the easy-to-use, powerful graphical user interface of the MPLAB Integrated Development Environment (IDE), included with each kit.

The emulator is connected to the design engineer's PC using a high-speed USB 2.0 interface and is connected to the target with either a connector compatible with in-circuit debugger systems (RJ11) or with the new high-speed, noise tolerant, Low-Voltage Differential Signal (LVDS) interconnection (CAT5).

The emulator is field upgradable through future firmware downloads in MPLAB IDE. In upcoming releases of MPLAB IDE, new devices will be supported, and new features will be added. MPLAB REAL ICE offers significant advantages over competitive emulators including low-cost, full-speed emulation, run-time variable watches, trace analysis, complex breakpoints, a ruggedized probe interface and long (up to three meters) interconnection cables.

## 29.9 MPLAB ICD 3 In-Circuit Debugger System

MPLAB ICD 3 In-Circuit Debugger System is Microchip's most cost effective high-speed hardware debugger/programmer for Microchip Flash Digital Signal Controller (DSC) and microcontroller (MCU) devices. It debugs and programs PIC® Flash microcontrollers and dsPIC® DSCs with the powerful, yet easy-to-use graphical user interface of MPLAB Integrated Development Environment (IDE).

The MPLAB ICD 3 In-Circuit Debugger probe is connected to the design engineer's PC using a high-speed USB 2.0 interface and is connected to the target with a connector compatible with the MPLAB ICD 2 or MPLAB REAL ICE systems (RJ-11). MPLAB ICD 3 supports all MPLAB ICD 2 headers.

## 29.10 PICkit 3 In-Circuit Debugger/Programmer and PICkit 3 Debug Express

The MPLAB PICkit 3 allows debugging and programming of PIC® and dsPIC® Flash microcontrollers at a most affordable price point using the powerful graphical user interface of the MPLAB Integrated Development Environment (IDE). The MPLAB PICkit 3 is connected to the design engineer's PC using a full speed USB interface and can be connected to the target via an Microchip debug (RJ-11) connector (compatible with MPLAB ICD 3 and MPLAB REAL ICE). The connector uses two device I/O pins and the reset line to implement in-circuit debugging and In-Circuit Serial Programming™.

The PICkit 3 Debug Express include the PICkit 3, demo board and microcontroller, hookup cables and CDROM with user's guide, lessons, tutorial, compiler and MPLAB IDE software.

# PIC12(L)F1501

---

## 29.11 PICKit 2 Development Programmer/Debugger and PICKit 2 Debug Express

The PICKit™ 2 Development Programmer/Debugger is a low-cost development tool with an easy to use interface for programming and debugging Microchip's Flash families of microcontrollers. The full featured Windows® programming interface supports baseline (PIC10F, PIC12F5xx, PIC16F5xx), midrange (PIC12F6xx, PIC16F), PIC18F, PIC24, dsPIC30, dsPIC33, and PIC32 families of 8-bit, 16-bit, and 32-bit microcontrollers, and many Microchip Serial EEPROM products. With Microchip's powerful MPLAB Integrated Development Environment (IDE) the PICKit™ 2 enables in-circuit debugging on most PIC® microcontrollers. In-Circuit-Debugging runs, halts and single steps the program while the PIC microcontroller is embedded in the application. When halted at a breakpoint, the file registers can be examined and modified.

The PICKit 2 Debug Express include the PICKit 2, demo board and microcontroller, hookup cables and CDROM with user's guide, lessons, tutorial, compiler and MPLAB IDE software.

## 29.12 MPLAB PM3 Device Programmer

The MPLAB PM3 Device Programmer is a universal, CE compliant device programmer with programmable voltage verification at VDDMIN and VDDMAX for maximum reliability. It features a large LCD display (128 x 64) for menus and error messages and a modular, detachable socket assembly to support various package types. The ICSP™ cable assembly is included as a standard item. In Stand-Alone mode, the MPLAB PM3 Device Programmer can read, verify and program PIC devices without a PC connection. It can also set code protection in this mode. The MPLAB PM3 connects to the host PC via an RS-232 or USB cable. The MPLAB PM3 has high-speed communications and optimized algorithms for quick programming of large memory devices and incorporates an MMC card for file storage and data applications.

## 29.13 Demonstration/Development Boards, Evaluation Kits, and Starter Kits

A wide variety of demonstration, development and evaluation boards for various PIC MCUs and dsPIC DSCs allows quick application development on fully functional systems. Most boards include prototyping areas for adding custom circuitry and provide application firmware and source code for examination and modification.

The boards support a variety of features, including LEDs, temperature sensors, switches, speakers, RS-232 interfaces, LCD displays, potentiometers and additional EEPROM memory.

The demonstration and development boards can be used in teaching environments, for prototyping custom circuits and for learning about various microcontroller applications.

In addition to the PICDEM™ and dsPICDEM™ demonstration/development board series of circuits, Microchip has a line of evaluation kits and demonstration software for analog filter design, KEELOQ® security ICs, CAN, IrDA®, PowerSmart battery management, SEEVAL® evaluation system, Sigma-Delta ADC, flow rate sensing, plus many more.

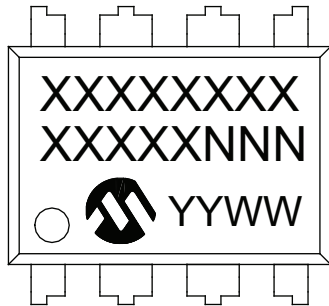
Also available are starter kits that contain everything needed to experience the specified device. This usually includes a single application and debug capability, all on one board.

Check the Microchip web page ([www.microchip.com](http://www.microchip.com)) for the complete list of demonstration, development and evaluation kits.

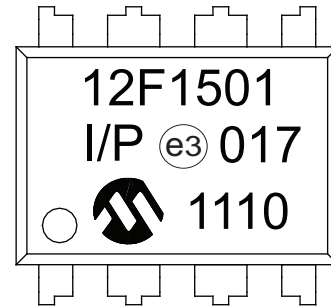
## 30.0 PACKAGING INFORMATION

### 30.1 Package Marking Information

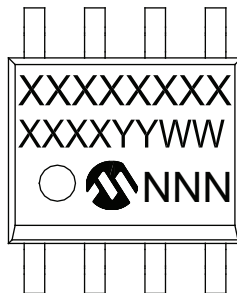
8-Lead PDIP (300 mil)



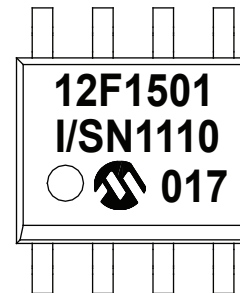
Example



8-Lead SOIC (3.90 mm)



Example



|                |        |  |
|----------------|--------|--|
| <b>Legend:</b> | XX...X | Customer-specific information  |
|                | Y      | Year code (last digit of calendar year)  |
|                | YY     | Year code (last 2 digits of calendar year)   |
|                | WW     | Week code (week of January 1 is week '01')   |
|                | NNN    | Alphanumeric traceability code   |
|                | e3     | Pb-free JEDEC designator for Matte Tin (Sn)  |
|                | *      | This package is Pb-free. The Pb-free JEDEC designator (e3) can be found on the outer packaging for this package. |

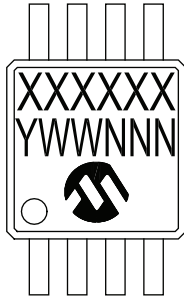
**Note:** In the event the full Microchip part number cannot be marked on one line, it will be carried over to the next line, thus limiting the number of available characters for customer-specific information.

- \* Standard PICmicro® device marking consists of Microchip part number, year code, week code and traceability code. For PICmicro device marking beyond this, certain price adders apply. Please check with your Microchip Sales Office. For QTP devices, any special marking adders are included in QTP price.

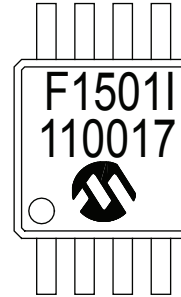
# PIC12(L)F1501

## Package Marking Information (Continued)

8-Lead MSOP (3x3 mm)



Example



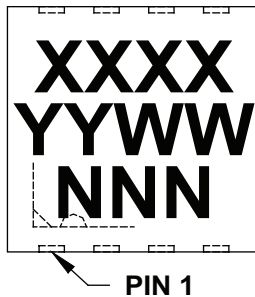
8-Lead DFN (2x3x0.9 mm)



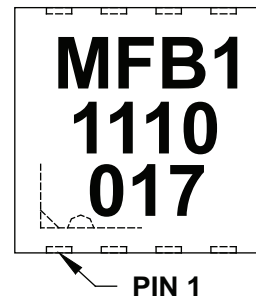
Example



8-Lead DFN (3x3x0.9 mm)



Example



**TABLE 30-1: 8-LEAD 2x3 DFN (MC) TOP MARKING**

| Part Number      | Marking |
|------------------|---------|
| PIC12F1501-E/MC  | BAK     |
| PIC12F1501-I/MC  | BAL     |
| PIC12LF1501-E/MC | BAM     |
| PIC12LF1501-I/MC | BAP     |

**TABLE 30-2: 8-LEAD 3x3 QFN (MF) TOP MARKING**

| Part Number      | Marking |
|------------------|---------|
| PIC12F1501-E/MF  | MFA1    |
| PIC12F1501-I/MF  | MFB1    |
| PIC12LF1501-E/MF | MFC1    |
| PIC12LF1501-I/MF | MFD1    |

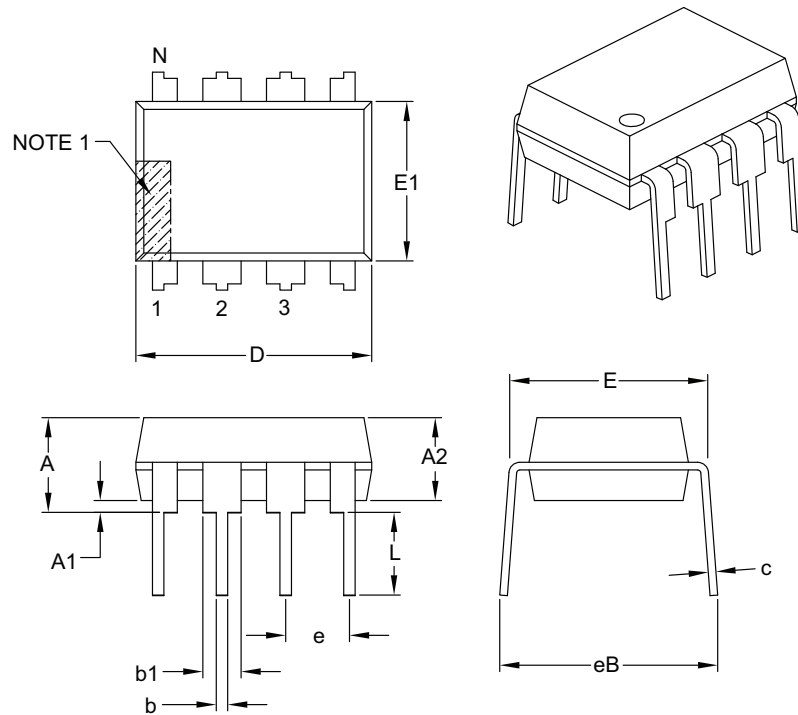
# PIC12(L)F1501

## 30.2 Package Details

The following sections give the technical details of the packages.

### 8-Lead Plastic Dual In-Line (P) – 300 mil Body [PDIP]

**Note:** For the most current package drawings, please see the Microchip Packaging Specification located at <http://www.microchip.com/packaging>



| Dimension Limits           | Units | INCHES   |      |      |
|----------------------------|-------|----------|------|------|
|                            |       | MIN      | NOM  | MAX  |
| Number of Pins             | N     | 8        |      |      |
| Pitch                      | e     | .100 BSC |      |      |
| Top to Seating Plane       | A     | –        | –    | .210 |
| Molded Package Thickness   | A2    | .115     | .130 | .195 |
| Base to Seating Plane      | A1    | .015     | –    | –    |
| Shoulder to Shoulder Width | E     | .290     | .310 | .325 |
| Molded Package Width       | E1    | .240     | .250 | .280 |
| Overall Length             | D     | .348     | .365 | .400 |
| Tip to Seating Plane       | L     | .115     | .130 | .150 |
| Lead Thickness             | c     | .008     | .010 | .015 |
| Upper Lead Width           | b1    | .040     | .060 | .070 |
| Lower Lead Width           | b     | .014     | .018 | .022 |
| Overall Row Spacing §      | eB    | –        | –    | .430 |

**Notes:**

- Pin 1 visual index feature may vary, but must be located with the hatched area.
- § Significant Characteristic.
- Dimensions D and E1 do not include mold flash or protrusions. Mold flash or protrusions shall not exceed .010" per side.
- Dimensioning and tolerancing per ASME Y14.5M.

BSC: Basic Dimension. Theoretically exact value shown without tolerances.

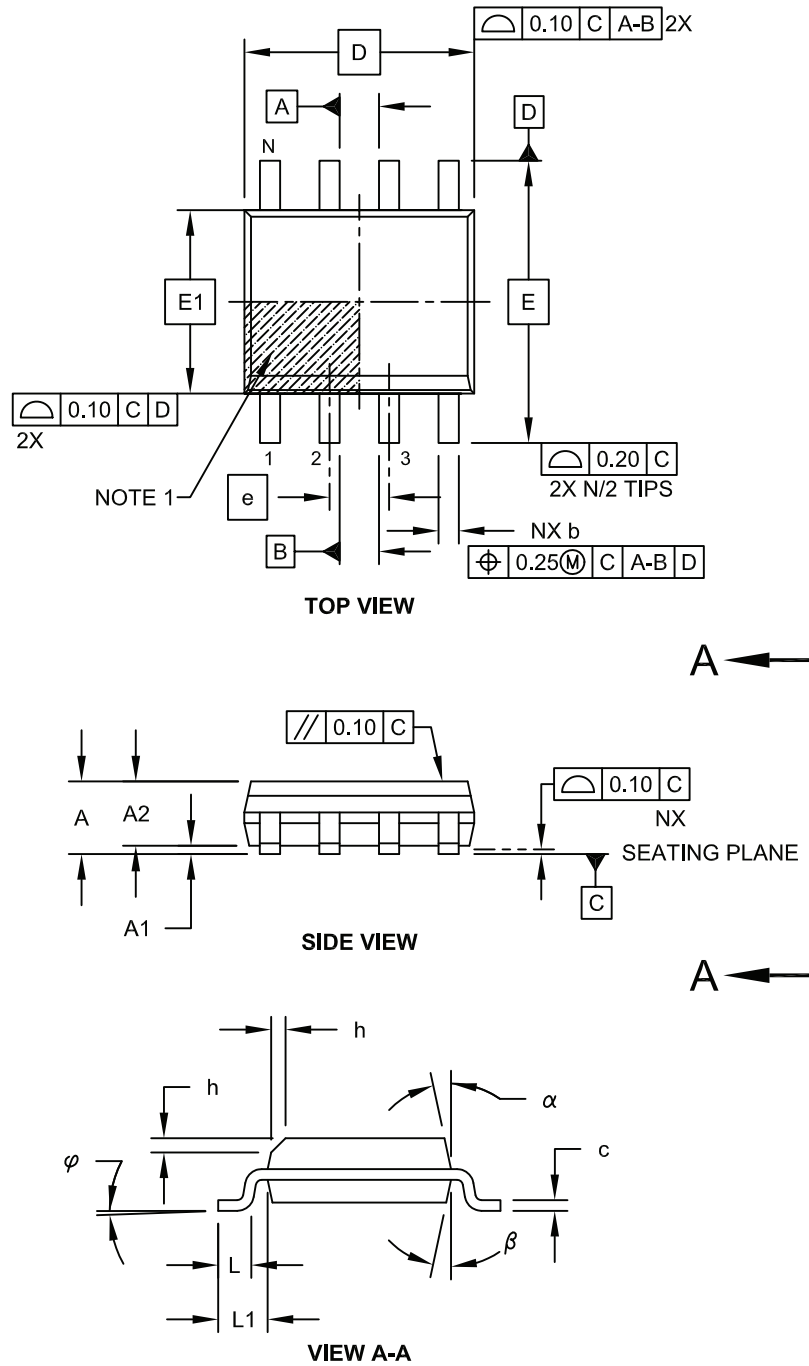
Microchip Technology Drawing C04-018B



# PIC12(L)F1501

## 8-Lead Plastic Small Outline (SN) - Narrow, 3.90 mm Body [SOIC]

**Note:** For the most current package drawings, please see the Microchip Packaging Specification located at <http://www.microchip.com/packaging>

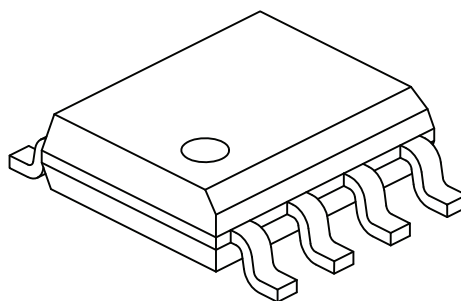


Microchip Technology Drawing No. C04-057C Sheet 1 of 2

# PIC12(L)F1501

## 8-Lead Plastic Small Outline (SN) - Narrow, 3.90 mm Body [SOIC]

**Note:** For the most current package drawings, please see the Microchip Packaging Specification located at <http://www.microchip.com/packaging>



| Units                    |           | MILLIMETERS |     |      |
|--------------------------|-----------|-------------|-----|------|
| Dimension Limits         |           | MIN         | NOM | MAX  |
| Number of Pins           | N         | 8           |     |      |
| Pitch                    | e         | 1.27 BSC    |     |      |
| Overall Height           | A         | -           | -   | 1.75 |
| Molded Package Thickness | A2        | 1.25        | -   | -    |
| Standoff §               | A1        | 0.10        | -   | 0.25 |
| Overall Width            | E         | 6.00 BSC    |     |      |
| Molded Package Width     | E1        | 3.90 BSC    |     |      |
| Overall Length           | D         | 4.90 BSC    |     |      |
| Chamfer (Optional)       | h         | 0.25        | -   | 0.50 |
| Foot Length              | L         | 0.40        | -   | 1.27 |
| Footprint                | L1        | 1.04 REF    |     |      |
| Foot Angle               | $\varphi$ | 0°          | -   | 8°   |
| Lead Thickness           | c         | 0.17        | -   | 0.25 |
| Lead Width               | b         | 0.31        | -   | 0.51 |
| Mold Draft Angle Top     | $\alpha$  | 5°          | -   | 15°  |
| Mold Draft Angle Bottom  | $\beta$   | 5°          | -   | 15°  |

### Notes:

1. Pin 1 visual index feature may vary, but must be located within the hatched area.
2. § Significant Characteristic
3. Dimensions D and E1 do not include mold flash or protrusions. Mold flash or protrusions shall not exceed 0.15mm per side.
4. Dimensioning and tolerancing per ASME Y14.5M

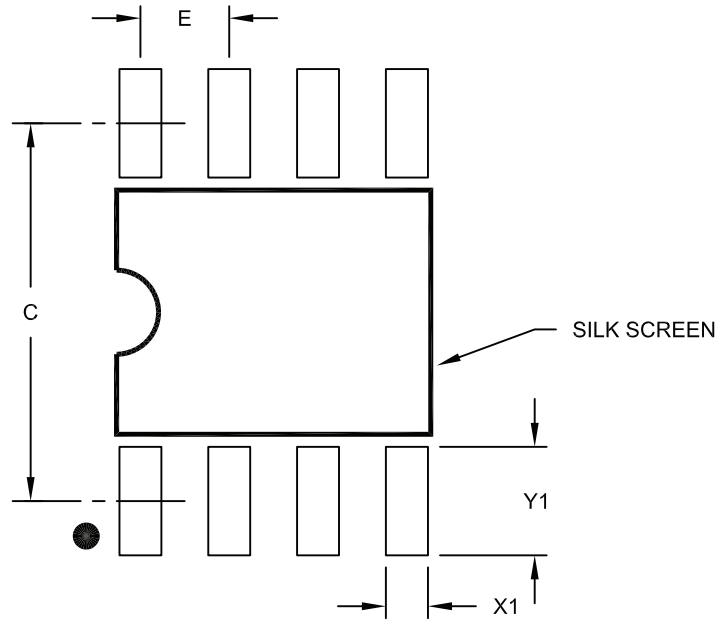
BSC: Basic Dimension. Theoretically exact value shown without tolerances.

REF: Reference Dimension, usually without tolerance, for information purposes only.

Microchip Technology Drawing No. C04-057C Sheet 2 of 2

## 8-Lead Plastic Small Outline (SN) – Narrow, 3.90 mm Body [SOIC]

**Note:** For the most current package drawings, please see the Microchip Packaging Specification located at <http://www.microchip.com/packaging>



RECOMMENDED LAND PATTERN

| Dimension Limits        | Units | MILLIMETERS |      |      |
|-------------------------|-------|-------------|------|------|
|                         |       | MIN         | NOM  | MAX  |
| Contact Pitch           | E     | 1.27 BSC    |      |      |
| Contact Pad Spacing     | C     |             | 5.40 |      |
| Contact Pad Width (X8)  | X1    |             |      | 0.60 |
| Contact Pad Length (X8) | Y1    |             |      | 1.55 |

**Notes:**

1. Dimensioning and tolerancing per ASME Y14.5M

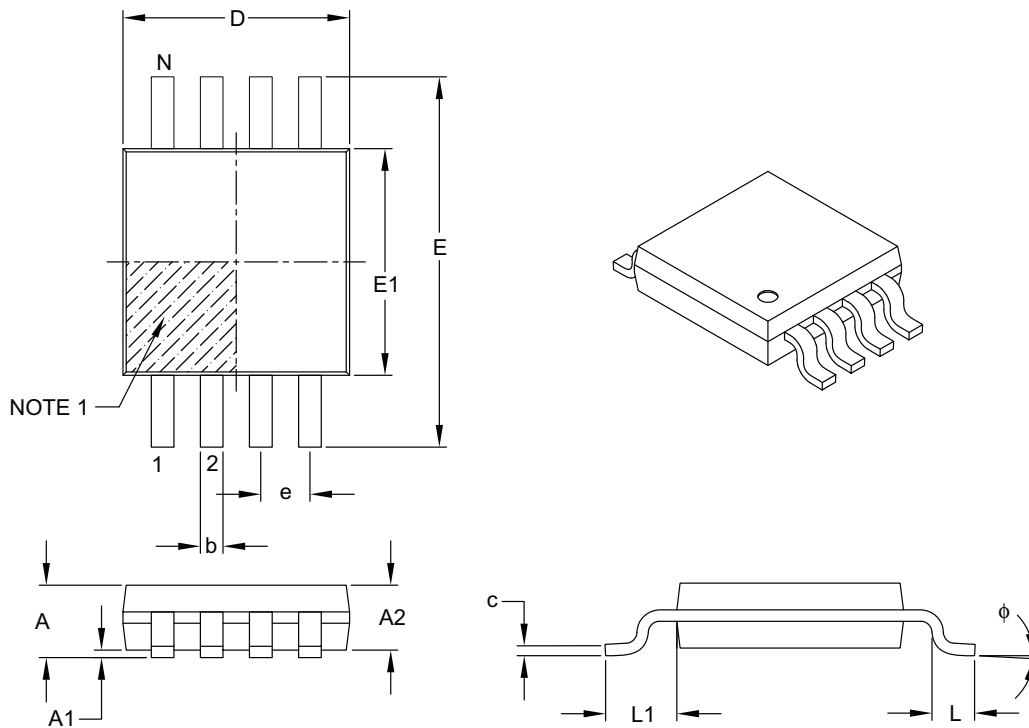
BSC: Basic Dimension. Theoretically exact value shown without tolerances.

Microchip Technology Drawing No. C04-2057A

# PIC12(L)F1501

## 8-Lead Plastic Micro Small Outline Package (MS) [MSOP]

**Note:** For the most current package drawings, please see the Microchip Packaging Specification located at <http://www.microchip.com/packaging>



| Dimension Limits         | Units  | MILLIMETERS |      |      |
|--------------------------|--------|-------------|------|------|
|                          |        | MIN         | NOM  | MAX  |
| Number of Pins           | N      | 8           |      |      |
| Pitch                    | e      | 0.65 BSC    |      |      |
| Overall Height           | A      | –           | –    | 1.10 |
| Molded Package Thickness | A2     | 0.75        | 0.85 | 0.95 |
| Standoff                 | A1     | 0.00        | –    | 0.15 |
| Overall Width            | E      | 4.90 BSC    |      |      |
| Molded Package Width     | E1     | 3.00 BSC    |      |      |
| Overall Length           | D      | 3.00 BSC    |      |      |
| Foot Length              | L      | 0.40        | 0.60 | 0.80 |
| Footprint                | L1     | 0.95 REF    |      |      |
| Foot Angle               | $\phi$ | 0°          | –    | 8°   |
| Lead Thickness           | c      | 0.08        | –    | 0.23 |
| Lead Width               | b      | 0.22        | –    | 0.40 |

**Notes:**

- Pin 1 visual index feature may vary, but must be located within the hatched area.
- Dimensions D and E1 do not include mold flash or protrusions. Mold flash or protrusions shall not exceed 0.15 mm per side.
- Dimensioning and tolerancing per ASME Y14.5M.

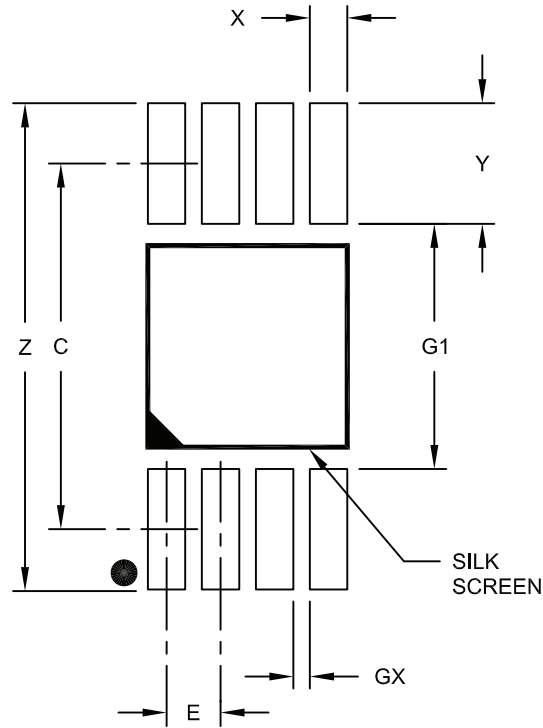
BSC: Basic Dimension. Theoretically exact value shown without tolerances.

REF: Reference Dimension, usually without tolerance, for information purposes only.

Microchip Technology Drawing C04-111B

## 8-Lead Plastic Micro Small Outline Package (MS) [MSOP]

**Note:** For the most current package drawings, please see the Microchip Packaging Specification located at <http://www.microchip.com/packaging>



RECOMMENDED LAND PATTERN

| Dimension Limits        | Units | MILLIMETERS |      |      |
|-------------------------|-------|-------------|------|------|
|                         |       | MIN         | NOM  | MAX  |
| Contact Pitch           | E     | 0.65 BSC    |      |      |
| Contact Pad Spacing     | C     |             | 4.40 |      |
| Overall Width           | Z     |             |      | 5.85 |
| Contact Pad Width (X8)  | X1    |             |      | 0.45 |
| Contact Pad Length (X8) | Y1    |             |      | 1.45 |
| Distance Between Pads   | G1    | 2.95        |      |      |
| Distance Between Pads   | GX    | 0.20        |      |      |

Notes:

1. Dimensioning and tolerancing per ASME Y14.5M

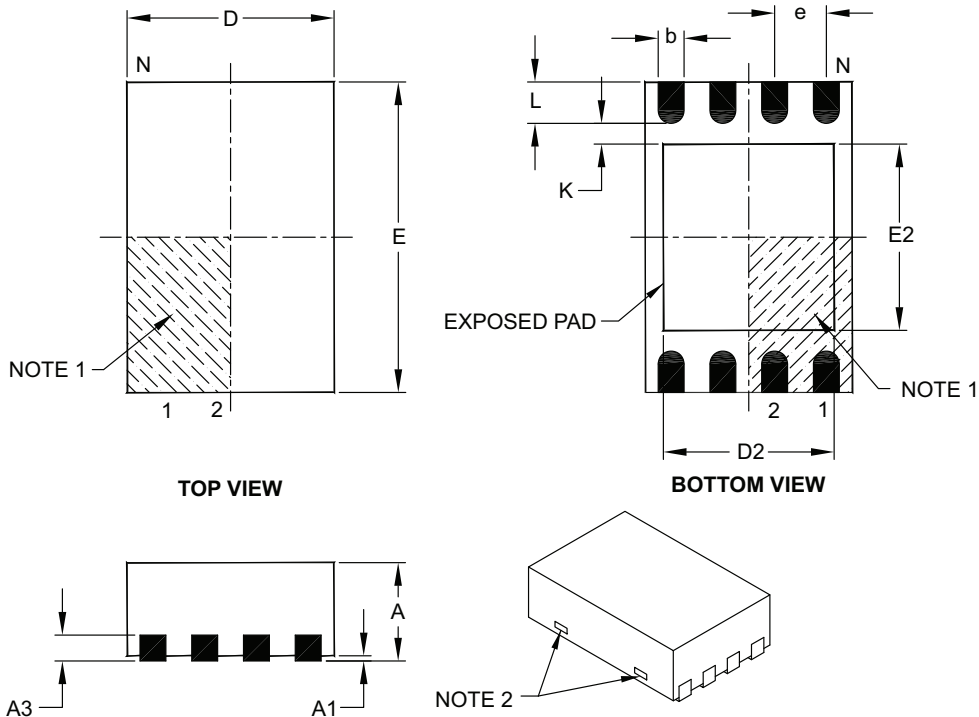
BSC: Basic Dimension. Theoretically exact value shown without tolerances.

Microchip Technology Drawing No. C04-2111A

# PIC12(L)F1501

## 8-Lead Plastic Dual Flat, No Lead Package (MC) – 2x3x0.9 mm Body [DFN]

**Note:** For the most current package drawings, please see the Microchip Packaging Specification located at <http://www.microchip.com/packaging>



| Dimension Limits       | Units | MILLIMETERS |      |      |
|------------------------|-------|-------------|------|------|
|                        |       | MIN         | NOM  | MAX  |
| Number of Pins         | N     | 8           |      |      |
| Pitch                  | e     | 0.50 BSC    |      |      |
| Overall Height         | A     | 0.80        | 0.90 | 1.00 |
| Standoff               | A1    | 0.00        | 0.02 | 0.05 |
| Contact Thickness      | A3    | 0.20 REF    |      |      |
| Overall Length         | D     | 2.00 BSC    |      |      |
| Overall Width          | E     | 3.00 BSC    |      |      |
| Exposed Pad Length     | D2    | 1.30        | –    | 1.55 |
| Exposed Pad Width      | E2    | 1.50        | –    | 1.75 |
| Contact Width          | b     | 0.20        | 0.25 | 0.30 |
| Contact Length         | L     | 0.30        | 0.40 | 0.50 |
| Contact-to-Exposed Pad | K     | 0.20        | –    | –    |

**Notes:**

- Pin 1 visual index feature may vary, but must be located within the hatched area.
- Package may have one or more exposed tie bars at ends.
- Package is saw singulated.
- Dimensioning and tolerancing per ASME Y14.5M.

BSC: Basic Dimension. Theoretically exact value shown without tolerances.

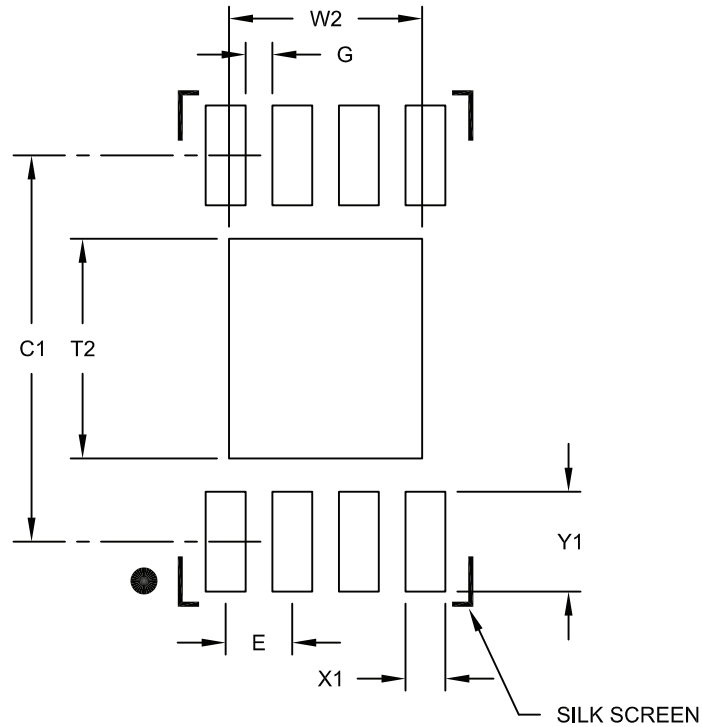
REF: Reference Dimension, usually without tolerance, for information purposes only.

Microchip Technology Drawing C04-123C

# PIC12(L)F1501

## 8-Lead Plastic Dual Flat, No Lead Package (MC) - 2x3x0.9mm Body [DFN]

**Note:** For the most current package drawings, please see the Microchip Packaging Specification located at <http://www.microchip.com/packaging>



RECOMMENDED LAND PATTERN

| Dimension Limits           | Units | MILLIMETERS |      |      |
|----------------------------|-------|-------------|------|------|
|                            |       | MIN         | NOM  | MAX  |
| Contact Pitch              | E     | 0.50 BSC    |      |      |
| Optional Center Pad Width  | W2    |             |      | 1.45 |
| Optional Center Pad Length | T2    |             |      | 1.75 |
| Contact Pad Spacing        | C1    |             | 2.90 |      |
| Contact Pad Width (X8)     | X1    |             |      | 0.30 |
| Contact Pad Length (X8)    | Y1    |             |      | 0.75 |
| Distance Between Pads      | G     | 0.20        |      |      |

Notes:

1. Dimensioning and tolerancing per ASME Y14.5M

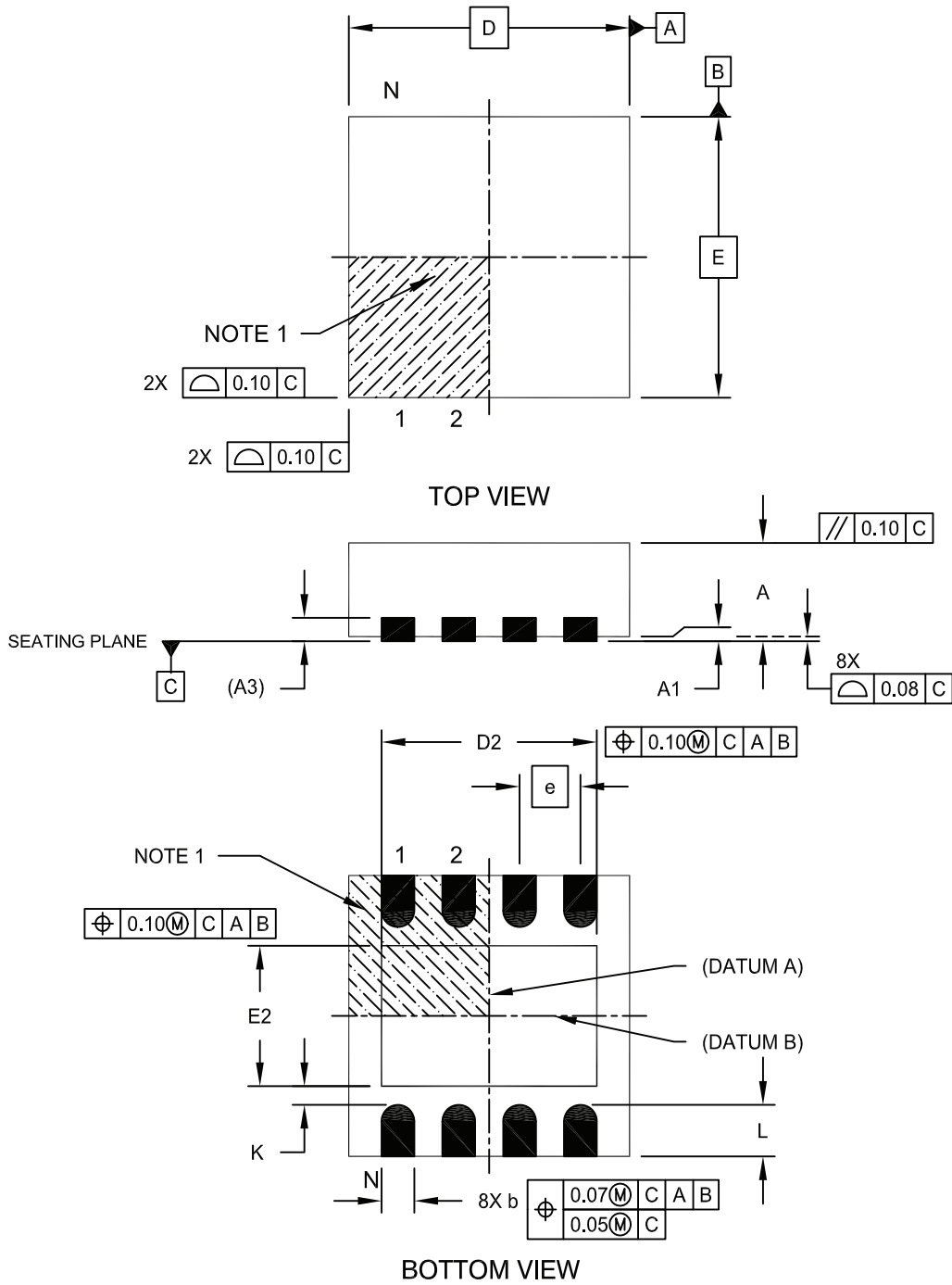
BSC: Basic Dimension. Theoretically exact value shown without tolerances.

Microchip Technology Drawing No. C04-2123B

# PIC12(L)F1501

## 8-Lead Plastic Dual Flat, No Lead Package (MF) - 3x3x0.9mm Body [DFN]

**Note:** For the most current package drawings, please see the Microchip Packaging Specification located at <http://www.microchip.com/packaging>



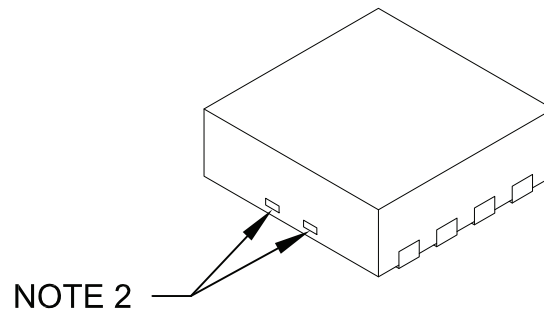
Microchip Technology Drawing No. C04-062C Sheet 1 of 2



# PIC12(L)F1501

## 8-Lead Plastic Dual Flat, No Lead Package (MF) - 3x3x0.9mm Body [DFN]

**Note:** For the most current package drawings, please see the Microchip Packaging Specification located at <http://www.microchip.com/packaging>



| Dimension Limits       | Units | MILLIMETERS |      |      |
|------------------------|-------|-------------|------|------|
|                        |       | MIN         | NOM  | MAX  |
| Number of Pins         | N     | 8           |      |      |
| Pitch                  | e     | 0.65 BSC    |      |      |
| Overall Height         | A     | 0.80        | 0.90 | 1.00 |
| Standoff               | A1    | 0.00        | 0.02 | 0.05 |
| Contact Thickness      | A3    | 0.20 REF    |      |      |
| Overall Length         | D     | 3.00 BSC    |      |      |
| Exposed Pad Width      | E2    | 1.34        | -    | 1.60 |
| Overall Width          | E     | 3.00 BSC    |      |      |
| Exposed Pad Length     | D2    | 1.60        | -    | 2.40 |
| Contact Width          | b     | 0.25        | 0.30 | 0.35 |
| Contact Length         | L     | 0.20        | 0.30 | 0.55 |
| Contact-to-Exposed Pad | K     | 0.20        | -    | -    |

**Notes:**

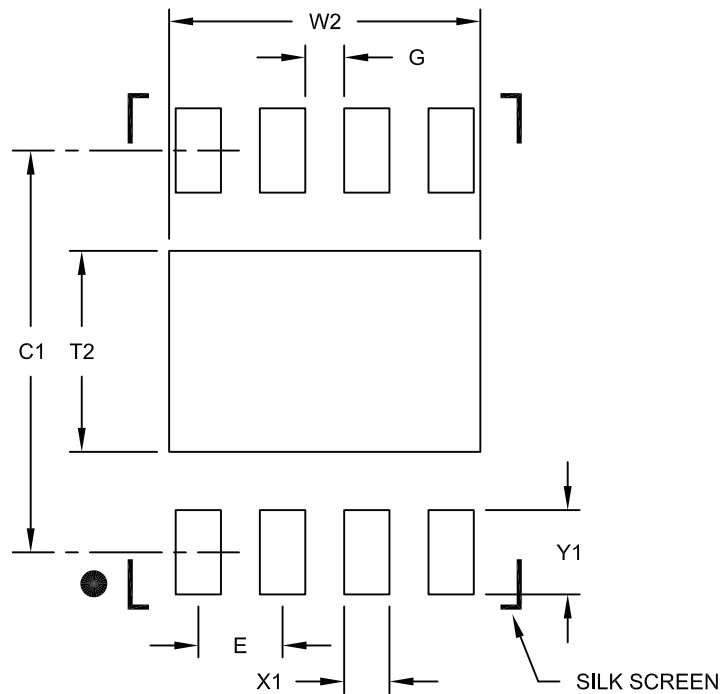
1. Pin 1 visual index feature may vary, but must be located within the hatched area.
2. Package may have one or more exposed tie bars at ends.
3. Package is saw singulated
4. Dimensioning and tolerancing per ASME Y14.5M  
BSC: Basic Dimension. Theoretically exact value shown without tolerances.  
REF: Reference Dimension, usually without tolerance, for information purposes only.

Microchip Technology Drawing No. C04-062C Sheet 2 of 2

# PIC12(L)F1501

## 8-Lead Plastic Dual Flat, No Lead Package (MF) - 3x3x0.9mm Body [DFN]

**Note:** For the most current package drawings, please see the Microchip Packaging Specification located at <http://www.microchip.com/packaging>



RECOMMENDED LAND PATTERN

| Dimension Limits           | Units | MILLIMETERS |      |      |
|----------------------------|-------|-------------|------|------|
|                            |       | MIN         | NOM  | MAX  |
| Contact Pitch              | E     | 0.65 BSC    |      |      |
| Optional Center Pad Width  | W2    |             |      | 2.40 |
| Optional Center Pad Length | T2    |             |      | 1.55 |
| Contact Pad Spacing        | C1    |             | 3.10 |      |
| Contact Pad Width (X8)     | X1    |             |      | 0.35 |
| Contact Pad Length (X8)    | Y1    |             |      | 0.65 |
| Distance Between Pads      | G     | 0.30        |      |      |

**Notes:**

1. Dimensioning and tolerancing per ASME Y14.5M

BSC: Basic Dimension. Theoretically exact value shown without tolerances.

Microchip Technology Drawing No. C04-2062B

## APPENDIX A: DATA SHEET REVISION HISTORY

### Revision A

Original release (11/2011).

# PIC12(L)F1501

---

NOTES:

## INDEX

### A

|   |          |
|---|----------|
| A/D   |          |
| Specifications  | 242, 243 |
| Absolute Maximum Ratings                              | 225      |
| AC Characteristics                                    |          |
| Industrial and Extended                               | 238      |
| Load Conditions                                       | 237      |
| ADC   | 113      |
| Acquisition Requirements                              | 124      |
| Associated registers                                  | 126      |
| Block Diagram   | 113      |
| Calculating Acquisition Time                          | 124      |
| Channel Selection                                     | 114      |
| Configuration   | 114      |
| Configuring Interrupt                                 | 118      |
| Conversion Clock                                      | 114      |
| Conversion Procedure                                  | 118      |
| Internal Sampling Switch (R <sub>ss</sub> ) Impedance | 124      |
| Interrupts  | 116      |
| Operation   | 117      |
| Operation During Sleep                                | 117      |
| Port Configuration                                    | 114      |
| Reference Voltage (V <sub>REF</sub> )                 | 114      |
| Source Impedance                                      | 124      |
| Starting an A/D Conversion                            | 116      |
| ADCON0 Register                                       | 25, 119  |
| ADCON1 Register                                       | 25, 120  |
| ADCON2 Register                                       | 121      |
| ADDFSR  | 215      |
| ADDWFC  | 215      |
| ADRESH Register                                       | 25       |
| ADRESH Register (ADFM = 0)                            | 122      |
| ADRESH Register (ADFM = 1)                            | 123      |
| ADRESL Register (ADFM = 0)                            | 122      |
| ADRESL Register (ADFM = 1)                            | 123      |
| Alternate Pin Function                                | 100      |
| Analog-to-Digital Converter. <i>See</i> ADC           |          |
| ANSELA Register                                       | 103      |
| APFCON Register                                       | 100      |
| Assembler   |          |
| MPASM Assembler                                       | 250      |
| Automatic Context Saving                              | 65       |

### B

|                       |          |
|-----------------------|----------|
| Bank 10               | 28       |
| Bank 11               | 28       |
| Bank 12               | 28       |
| Bank 13               | 28       |
| Bank 14-29            | 28       |
| Bank 2                | 26       |
| Bank 3                | 26       |
| Bank 30               | 29       |
| Bank 4                | 27       |
| Bank 5                | 27       |
| Bank 6                | 27       |
| Bank 7                | 27       |
| Bank 8                | 27       |
| Bank 9                | 27       |
| Block Diagrams        |          |
| ADC                   | 113      |
| ADC Transfer Function | 125      |
| Analog Input Model    | 125, 136 |
| Clock Source          | 45       |

|   |               |
|---|---------------|
| Comparator                              | 132           |
| Digital-to-Analog Converter (DAC)       | 128           |
| Generic I/O Port                        | 99            |
| Interrupt Logic                         | 61            |
| NCO                                     | 184           |
| On-Chip Reset Circuit                   | 53            |
| PIC12(L)F1501                           | 5, 10         |
| PWM                                     | 161           |
| Timer0                                  | 141           |
| Timer1                                  | 145           |
| Timer1 Gate                             | 150, 151, 152 |
| Timer2                                  | 157           |
| Voltage Reference                       | 109           |
| Voltage Reference Output Buffer Example | 128           |
| BORCON Register                         | 55            |
| BRA                                     | 216           |
| Brown-out Reset (BOR)                   | 55            |
| Specifications                          | 241           |
| Timing and Characteristics              | 240           |

### C

|   |          |
|---|----------|
| C Compilers                             |          |
| MPLAB C18                               | 250      |
| CALL                                    | 217      |
| CALLW                                   | 217      |
| CLCDATA Register                        | 181      |
| CLCxCON Register                        | 173      |
| CLCxGLS0 Register                       | 177      |
| CLCxGLS1 Register                       | 178      |
| CLCxGLS2 Register                       | 179      |
| CLCxGLS3 Register                       | 180      |
| CLCxPOL Register                        | 174      |
| CLCxSEL0 Register                       | 175      |
| Clock Sources                           |          |
| External Modes                          | 46       |
| EC                                      | 46       |
| Internal Modes                          | 47       |
| HFINTOSC                                | 47       |
| Internal Oscillator Clock Switch Timing | 48       |
| LFINTOSC                                | 47       |
| Clock Switching                         | 50       |
| CMOUT Register                          | 138      |
| CMxCON0 Register                        | 137      |
| CMxCON1 Register                        | 138      |
| Code Examples                           |          |
| A/D Conversion                          | 118      |
| Initializing PORTA                      | 99       |
| Writing to Flash Program Memory         | 92       |
| Comparator                              |          |
| Associated Registers                    | 139      |
| Operation                               | 131      |
| Comparator Module                       | 131      |
| Cx Output State Versus Input Conditions | 133      |
| Comparator Specifications               | 245      |
| Comparators                             |          |
| C2OUT as T1 Gate                        | 147      |
| Complementary Waveform Generator (CWG)  | 193, 194 |
| CONFIG1 Register                        | 40       |
| CONFIG2 Register                        | 41       |
| Core Function Register                  | 24       |
| Customer Change Notification Service    | 275      |
| Customer Notification Service           | 275      |
| Customer Support                        | 275      |
| CWG                                     |          |

# PIC12(L)F1501

|  |        |   |     |
|--|--------|---|-----|
| Auto-shutdown Control .....                                      | 200    | BRA .....                                     | 216 |
| Clock Source.....  | 196    | CALL .....                                    | 217 |
| Output Control.....  | 196    | CALLW .....                                   | 217 |
| Selectable Input Sources .....                                   | 196    | LSLF .....                                    | 219 |
| CWGxCON0 Register .....  | 203    | LSRF .....                                    | 219 |
| CWGxCON1 Register .....  | 204    | MOVF .....                                    | 219 |
| CWGxCON2 Register .....  | 205    | MOVIW .....                                   | 220 |
| CWGxDBF Register.....  | 206    | MOVLB .....                                   | 220 |
| CWGxDBR Register.....  | 206    | MOVWI .....                                   | 221 |
| <b>D</b>   |        | OPTION .....                                  | 221 |
| DACCON0 (Digital-to-Analog Converter Control 0)<br>Register..... | 130    | RESET .....                                   | 221 |
| DACCON1 (Digital-to-Analog Converter Control 1)<br>Register..... | 130    | SUBWFB .....                                  | 223 |
| Data Memory.....   | 17     | TRIS .....                                    | 224 |
| DC and AC Characteristics .....                                  | 247    | BCF .....                                     | 216 |
| DC Characteristics   |        | BSF .....                                     | 216 |
| Extended and Industrial .....                                    | 234    | BTFSC.....                                    | 216 |
| Industrial and Extended .....                                    | 227    | BTFSS .....                                   | 216 |
| Development Support .....  | 249    | CALL .....                                    | 217 |
| Device Configuration .....                                       | 39     | CLRF .....                                    | 217 |
| Code Protection .....  | 42     | CLRWF .....                                   | 217 |
| Configuration Word .....   | 39     | CLRWDT .....                                  | 217 |
| User ID .....  | 42, 43 | COMF .....                                    | 217 |
| Device ID Register .....   | 43     | DECF .....                                    | 217 |
| Device Overview .....  | 9, 79  | DECFSZ .....                                  | 218 |
| Digital-to-Analog Converter (DAC).....                           | 127    | GOTO .....                                    | 218 |
| Associated Registers .....                                       | 130    | INCF .....                                    | 218 |
| Effects of a Reset.....  | 128    | INCFSZ .....                                  | 218 |
| Specifications .....   | 245    | IORLW .....                                   | 218 |
| <b>E</b>   |        | IORWF .....                                   | 218 |
| Effects of Reset   |        | MOVLW .....                                   | 220 |
| PWM mode .....   | 163    | MOVWF .....                                   | 220 |
| Electrical Specifications .....                                  | 225    | NOP .....                                     | 221 |
| Enhanced Mid-Range CPU.....                                      | 13     | RETFIE .....                                  | 222 |
| Errata .....   | 7      | RETLW .....                                   | 222 |
| Extended Instruction Set   |        | RETURN.....                                   | 222 |
| ADDFSR .....   | 215    | RLF .....                                     | 222 |
| <b>F</b>   |        | RRF .....                                     | 223 |
| Firmware Instructions.....                                       | 211    | SLEEP .....                                   | 223 |
| Fixed Voltage Reference (FVR).....                               | 109    | SUBLW .....                                   | 223 |
| Associated Registers .....                                       | 110    | SUBWF .....                                   | 223 |
| Flash Program Memory.....  | 83     | SWAPF .....                                   | 224 |
| Associated Registers .....                                       | 98     | XORLW .....                                   | 224 |
| Configuration Word w/ Flash Program Memory.....                  | 98     | XORWF .....                                   | 224 |
| Erasing.....   | 87     | INTCON Register.....                          | 66  |
| Modifying.....   | 93     | Internal Oscillator Block                     |     |
| Write Verify .....   | 95     | INTOSC  |     |
| Writing .....  | 89     | Specifications .....                          | 238 |
| Flash Program Memory Control .....                               | 83     | Internal Sampling Switch (Rss) Impedance..... | 124 |
| FSR Register.....  | 24     | Internet Address .....                        | 275 |
| FVRCON (Fixed Voltage Reference Control) Register .....          | 110    | Interrupt-On-Change.....                      | 105 |
| <b>I</b>   |        | Associated Registers .....                    | 108 |
| INDF Register .....  | 24     | Interrupts.....                               | 61  |
| Indirect Addressing .....  | 34     | ADC .....                                     | 118 |
| Instruction Format .....   | 212    | Associated registers w/ Interrupts.....       | 73  |
| Instruction Set .....  | 211    | TMR1 .....                                    | 149 |
| ADDLW .....  | 215    | INTOSC Specifications .....                   | 238 |
| ADDWF .....  | 215    | IOCAF Register .....                          | 107 |
| ADDWFC .....   | 215    | IOCAN Register .....                          | 107 |
| ANDLW .....  | 215    | IOCAP Register .....                          | 107 |
| ANDWF .....  | 215    | <b>L</b>                                      |     |
| <b>L</b>   |        | LATA Register .....                           | 103 |
| LATA Register .....  | 103    | Load Conditions.....                          | 237 |
| Load Conditions.....   | 237    | LSLF .....                                    | 219 |
| LSLF .....   | 219    | LSRF .....                                    | 219 |
| LSRF .....   | 219    |   |     |

# PIC12(L)F1501

## M

|   |     |
|---|-----|
| MCLR  | 56  |
| Internal  | 56  |
| Memory Organization                               | 15  |
| Data  | 17  |
| Program   | 15  |
| Microchip Internet Web Site                       | 275 |
| MOVIW   | 220 |
| MOVLB   | 220 |
| MOVWI   | 221 |
| MPLAB ASM30 Assembler, Linker, Librarian          | 250 |
| MPLAB Integrated Development Environment Software | 249 |
| MPLAB PM3 Device Programmer                       | 252 |
| MPLAB REAL ICE In-Circuit Emulator System         | 251 |
| MPLINK Object Linker/MPLIB Object Librarian       | 250 |

## N

|   |     |
|---|-----|
| NCO                                     |     |
| Associated registers                    | 192 |
| NCOxACCH Register                       | 190 |
| NCOxACCL Register                       | 190 |
| NCOxACCU Register                       | 190 |
| NCOxCLK Register                        | 189 |
| NCOxCON Register                        | 189 |
| NCOxINCH Register                       | 191 |
| NCOxINCL Register                       | 191 |
| Numerically Controlled Oscillator (NCO) | 183 |

## O

|                                 |     |
|---------------------------------|-----|
| OPCODE Field Descriptions       | 211 |
| OPTION                          | 221 |
| OPTION Register                 | 143 |
| OSCCON Register                 | 51  |
| Oscillator                      |     |
| Associated Registers            | 52  |
| Associated registers            | 207 |
| Oscillator Module               | 45  |
| ECH                             | 45  |
| ECL                             | 45  |
| ECM                             | 45  |
| INTOSC                          | 45  |
| Oscillator Parameters           | 238 |
| Oscillator Specifications       | 238 |
| Oscillator Start-up Timer (OST) |     |
| Specifications                  | 241 |
| OSCSTAT Register                | 52  |

## P

|                  |          |
|------------------|----------|
| Packaging        | 253      |
| Marking          | 253, 254 |
| PDIP Details     | 255      |
| PCL and PCLATH   | 14       |
| PCL Register     | 24       |
| PCLATH Register  | 24       |
| PCON Register    | 25, 59   |
| PIE1 Register    | 25, 67   |
| PIE2 Register    | 25, 68   |
| PIE3 Register    | 25, 69   |
| PIR1 Register    | 25, 70   |
| PIR2 Register    | 25, 71   |
| PIR3 Register    | 25, 72   |
| PMADR Registers  | 83       |
| PMADRH Registers | 83       |
| PMADRL Register  | 96       |
| PMADRL Registers | 83       |

|   |        |
|---|--------|
| PMCON1 Register                                 | 83, 97 |
| PMCON2 Register                                 | 83, 98 |
| PMDATH Register                                 | 96     |
| PMDATL Register                                 | 96     |
| PMDRH Register                                  | 96     |
| PORTA   | 101    |
| ANSELA Register                                 | 101    |
| Associated Registers                            | 104    |
| LATA Register                                   | 26     |
| PORTA Register                                  | 25     |
| Specifications                                  | 239    |
| PORTA Register                                  | 102    |
| Power-Down Mode (Sleep)                         | 75     |
| Associated Registers                            | 78     |
| Power-on Reset                                  | 54     |
| Power-up Time-out Sequence                      | 56     |
| Power-up Timer (PWRT)                           | 54     |
| Specifications                                  | 241    |
| PR2 Register                                    | 25     |
| Program Memory                                  | 15     |
| Map and Stack (PIC12(L)F1501)                   | 16     |
| Programming, Device Instructions                | 211    |
| Pulse Width Modulation (PWM)                    | 161    |
| Associated registers w/ PWM                     | 166    |
| PWM Mode  |        |
| Duty Cycle                                      | 162    |
| Effects of Reset                                | 163    |
| Example PWM Frequencies and Resolutions, 20 MHz | 163    |
| Example PWM Frequencies and Resolutions, 8 MHz  | 163    |
| Operation in Sleep Mode                         | 163    |
| Setup for Operation using PWMx pins             | 164    |
| System Clock Frequency Changes                  | 163    |
| PWM Period                                      | 162    |
| Setup for PWM Operation using PWMx Pins         | 164    |
| PWMxCON Register                                | 165    |
| PWMxDCH Register                                | 166    |
| PWMxDCL Register                                | 166    |

## R

|  |     |
|--|-----|
| Reader Response                            | 276 |
| Read-Modify-Write Operations               | 211 |
| Registers                                  |     |
| ADCON0 (ADC Control 0)                     | 119 |
| ADCON1 (ADC Control 1)                     | 120 |
| ADCON2 (ADC Control 2)                     | 121 |
| ADRESH (ADC Result High) with ADFM = 0     | 122 |
| ADRESH (ADC Result High) with ADFM = 1     | 123 |
| ADRESL (ADC Result Low) with ADFM = 0      | 122 |
| ADRESL (ADC Result Low) with ADFM = 1      | 123 |
| ANSELA (PORTA Analog Select)               | 103 |
| APFCON (Alternate Pin Function Control)    | 100 |
| BORCON (Brown-out Reset Control)           | 55  |
| CLCDATA (Data Output)                      | 181 |
| CLCxCON (CLCx Control)                     | 173 |
| CLCxGLS0 (Gate 1 Logic Select)             | 177 |
| CLCxGLS1 (Gate 2 Logic Select)             | 178 |
| CLCxGLS2 (Gate 3 Logic Select)             | 179 |
| CLCxGLS3 (Gate 4 Logic Select)             | 180 |
| CLCxPOL (Signal Polarity Control)          | 174 |
| CLCxSEL0 (Multiplexer Data 1 and 2 Select) | 175 |
| CMOUT (Comparator Output)                  | 138 |
| CMxCON0 (Cx Control)                       | 137 |
| CMxCON1 (Cx Control 1)                     | 138 |
| Configuration Word 1                       | 40  |

# PIC12(L)F1501

|  |     |
|--|-----|
| Configuration Word 2 .....                               | 41  |
| Core Function, Summary .....                             | 24  |
| CWGxCON0 (CWG Control 0).....                            | 203 |
| CWGxCON1 (CWG Control 1).....                            | 204 |
| CWGxCON2 (CWG Control 1).....                            | 205 |
| CWGxDBF (CWGx Dead Band Falling Count) .....             | 206 |
| CWGxDBR (CWGx Dead Band Rising Count) .....              | 206 |
| DACCON0 .....  | 130 |
| DACCON1 .....  | 130 |
| Device ID .....  | 43  |
| FVRCON .....   | 110 |
| INTCON (Interrupt Control).....                          | 66  |
| IOCAF (Interrupt-on-Change PORTA Flag).....              | 107 |
| IOCAN (Interrupt-on-Change PORTA<br>Negative Edge) ..... | 107 |
| IOCAP (Interrupt-on-Change PORTA<br>Positive Edge).....  | 107 |
| LATA (Data Latch PORTA).....                             | 103 |
| NCOxACCH (NCOx Accumulator High Byte) .....              | 190 |
| NCOxACCL (NCOx Accumulator Low Byte).....                | 190 |
| NCOxACCU (NCOx Accumulator Upper Byte).....              | 190 |
| NCOxCLK (NCOx Clock Control) .....                       | 189 |
| NCOxCON (NCOx Control) .....                             | 189 |
| NCOxINCH (NCOx Increment High Byte).....                 | 191 |
| NCOxINCL (NCOx Increment Low Byte) .....                 | 191 |
| OPTION_REG (OPTION) .....                                | 143 |
| OSCCON (Oscillator Control) .....                        | 51  |
| OSCSTAT (Oscillator Status) .....                        | 52  |
| PCON (Power Control Register).....                       | 59  |
| PCON (Power Control) .....                               | 59  |
| PIE1 (Peripheral Interrupt Enable 1).....                | 67  |
| PIE2 (Peripheral Interrupt Enable 2).....                | 68  |
| PIE3 (Peripheral Interrupt Enable 3).....                | 69  |
| PIR1 (Peripheral Interrupt Register 1) .....             | 70  |
| PIR2 (Peripheral Interrupt Request 2) .....              | 71  |
| PIR3 (Peripheral Interrupt Request 3) .....              | 72  |
| PMADRL (Program Memory Address).....                     | 96  |
| PMCON1 (Program Memory Control 1).....                   | 97  |
| PMCON2 (Program Memory Control 2).....                   | 98  |
| PMDATH (Program Memory Data).....                        | 96  |
| PMDATL (Program Memory Data).....                        | 96  |
| PMDRH (Program Memory Address).....                      | 96  |
| PORTA.....   | 102 |
| PWMxCON (PWM Control).....                               | 165 |
| PWMxDCH (PWM Control) .....                              | 166 |
| PWMxDCL (PWM Control) .....                              | 166 |
| Special Function, Summary .....                          | 25  |
| STATUS .....   | 18  |
| T1CON (Timer1 Control).....                              | 153 |
| T1GCON (Timer1 Gate Control).....                        | 154 |
| T2CON .....  | 159 |
| TRISA (Tri-State PORTA) .....                            | 102 |
| VREGCON (Voltage Regulator Control).....                 | 78  |
| WDTCON (Watchdog Timer Control).....                     | 81  |
| WPUA (Weak Pull-up PORTA) .....                          | 104 |
| RESET .....  | 221 |
| Reset.....   | 53  |
| Reset Instruction .....                                  | 56  |
| Resets .....   | 53  |
| Associated Registers .....                               | 60  |
| Revision History .....                                   | 267 |

## S

|  |     |
|--|-----|
| Software Simulator (MPLAB SIM).....    | 251 |
| Special Function Registers (SFRs)..... | 25  |
| Stack .....                            | 32  |

|                                |     |
|--------------------------------|-----|
| Accessing .....                | 32  |
| Reset .....                    | 34  |
| Stack Overflow/Underflow ..... | 56  |
| STATUS Register .....          | 18  |
| SUBWFB .....                   | 223 |

## T

|   |          |
|---|----------|
| T1CON Register .....                                | 25, 153  |
| T1GCON Register .....                               | 154      |
| T2CON (Timer2) Register.....                        | 159      |
| T2CON Register .....                                | 25       |
| Temperature Indicator<br>Associated Registers ..... | 112      |
| Temperature Indicator Module.....                   | 111      |
| Thermal Considerations.....                         | 236      |
| Timer0.....   | 141      |
| Associated Registers .....                          | 143      |
| Operation .....                                     | 141      |
| Specifications .....                                | 242      |
| Timer1.....   | 145      |
| Associated registers .....                          | 155, 207 |
| Asynchronous Counter Mode .....                     | 147      |
| Reading and Writing .....                           | 147      |
| Clock Source Selection.....                         | 146      |
| Interrupt .....                                     | 149      |
| Operation .....                                     | 146      |
| Operation During Sleep .....                        | 149      |
| Prescaler .....                                     | 147      |
| Specifications .....                                | 242      |
| Timer1 Gate<br>Selecting Source .....               | 147      |
| TMR1H Register .....                                | 145      |
| TMR1L Register.....                                 | 145      |
| Timer2.....   | 157      |
| Associated registers .....                          | 160      |
| Timers<br>Timer1<br>T1CON .....                     | 153      |
| T1GCON.....   | 154      |
| Timer2<br>T2CON .....                               | 159      |
| Timing Diagrams<br>A/D Conversion.....              | 243      |
| A/D Conversion (Sleep Mode).....                    | 244      |
| Brown-out Reset (BOR).....                          | 240      |
| Brown-out Reset Situations .....                    | 55       |
| CLKOUT and I/O .....                                | 239      |
| Clock Timing .....                                  | 238      |
| Comparator Output .....                             | 131      |
| INT Pin Interrupt .....                             | 64       |
| Internal Oscillator Switch Timing .....             | 49       |
| Reset Start-up Sequence .....                       | 57       |
| Reset, WDT, OST and Power-up Timer .....            | 240      |
| Timer0 and Timer1 External Clock .....              | 241      |
| Timer1 Incrementing Edge .....                      | 149      |
| Wake-up from Interrupt.....                         | 76       |
| Timing Parameter Symbology .....                    | 237      |
| TMR0 Register.....                                  | 25       |
| TMR1H Register .....                                | 25       |
| TMR1L Register.....                                 | 25       |
| TMR2 Register.....                                  | 25       |
| TRIS.....   | 224      |
| TRISA Register.....                                 | 25, 102  |



## V

|  |    |
|--|----|
| VREF. <i>SEE</i> ADC Reference Voltage |    |
| VREGCON Register .....                 | 78 |

## W

|                                |     |
|--------------------------------|-----|
| Wake-up Using Interrupts ..... | 75  |
| Watchdog Timer (WDT) .....     | 56  |
| Associated Registers .....     | 82  |
| Modes .....                    | 80  |
| Specifications .....           | 241 |
| WDTCON Register .....          | 81  |
| WPUA Register .....            | 104 |
| Write Protection .....         | 42  |
| WWW Address .....              | 275 |
| WWW, On-Line Support .....     | 7   |

# PIC12(L)F1501

---

NOTES:

## THE MICROCHIP WEB SITE

Microchip provides online support via our WWW site at [www.microchip.com](http://www.microchip.com). This web site is used as a means to make files and information easily available to customers. Accessible by using your favorite Internet browser, the web site contains the following information:

- **Product Support** – Data sheets and errata, application notes and sample programs, design resources, user's guides and hardware support documents, latest software releases and archived software
- **General Technical Support** – Frequently Asked Questions (FAQ), technical support requests, online discussion groups, Microchip consultant program member listing
- **Business of Microchip** – Product selector and ordering guides, latest Microchip press releases, listing of seminars and events, listings of Microchip sales offices, distributors and factory representatives

## CUSTOMER CHANGE NOTIFICATION SERVICE

Microchip's customer notification service helps keep customers current on Microchip products. Subscribers will receive e-mail notification whenever there are changes, updates, revisions or errata related to a specified product family or development tool of interest.

To register, access the Microchip web site at [www.microchip.com](http://www.microchip.com). Under "Support", click on "Customer Change Notification" and follow the registration instructions.

## CUSTOMER SUPPORT

Users of Microchip products can receive assistance through several channels:

- Distributor or Representative
- Local Sales Office
- Field Application Engineer (FAE)
- Technical Support
- Development Systems Information Line

Customers should contact their distributor, representative or field application engineer (FAE) for support. Local sales offices are also available to help customers. A listing of sales offices and locations is included in the back of this document.

**Technical support is available through the web site at: <http://microchip.com/support>**

# PIC12(L)F1501

---

---

## READER RESPONSE

It is our intention to provide you with the best documentation possible to ensure successful use of your Microchip product. If you wish to provide your comments on organization, clarity, subject matter, and ways in which our documentation can better serve you, please FAX your comments to the Technical Publications Manager at (480) 792-4150.

Please list the following information, and use this outline to provide us with your comments about this document.

TO: Technical Publications Manager Total Pages Sent \_\_\_\_\_

RE: Reader Response

From: Name \_\_\_\_\_

Company \_\_\_\_\_

Address \_\_\_\_\_

City / State / ZIP / Country \_\_\_\_\_

Telephone: (\_\_\_\_\_) \_\_\_\_\_ - \_\_\_\_\_ FAX: (\_\_\_\_\_) \_\_\_\_\_ - \_\_\_\_\_

Application (optional):

Would you like a reply?  Y  N

Device: PIC12(L)F1501

Literature Number: DS41615A

Questions:

1. What are the best features of this document?

---

---

2. How does this document meet your hardware and software development needs?

---

---

3. Do you find the organization of this document easy to follow? If not, why?

---

---

4. What additions to the document do you think would enhance the structure and subject?

---

---

5. What deletions from the document could be made without affecting the overall usefulness?

---

---

6. Is there any incorrect or misleading information (what and where)?

---

---

7. How would you improve this document?

---

---

## PRODUCT IDENTIFICATION SYSTEM

To order or obtain information, e.g., on pricing or delivery, refer to the factory or the listed sales office.

| <u>PART NO.</u>              | <u>[X]<sup>(1)</sup></u>  | - | <u>X</u>          | <u>/XX</u> | <u>XXX</u> |
|------------------------------|---|---|-------------------|------------|------------|
| Device                       | Tape and Reel Option  |   | Temperature Range | Package    | Pattern    |
| <b>Device:</b>               | PIC12F1501, PIC12LF1501   |   |                   |            |            |
| <b>Tape and Reel Option:</b> | Blank = Standard packaging (tube or tray)<br>T = Tape and Reel <sup>(1)</sup>                                   |   |                   |            |            |
| <b>Temperature Range:</b>    | I = -40°C to +85°C (Industrial)<br>E = -40°C to +125°C (Extended)   |   |                   |            |            |
| <b>Package:</b>              | MC = Micro Lead Frame (DFN) 2x3<br>MF = Micro Lead Frame (DFN) 3x3<br>MS = MSOP<br>P = Plastic DIP<br>SN = SOIC |   |                   |            |            |
| <b>Pattern:</b>              | QTP, SQTP, Code or Special Requirements (blank otherwise)   |   |                   |            |            |

**Examples:**

- a) PIC12LF1501T - I/SN  
Tape and Reel, Industrial temperature, SOIC package
- b) PIC12F1501 - I/P  
Industrial temperature PDIP package
- c) PIC12F1501 - E/MF  
Extended temperature, DFN package

**Note 1:** Tape and Reel identifier only appears in the catalog part number description. This identifier is used for ordering purposes and is not printed on the device package. Check with your Microchip Sales Office for package availability with the Tape and Reel option.



# MICROCHIP

## Worldwide Sales and Service

### AMERICAS

**Corporate Office**  
2355 West Chandler Blvd.  
Chandler, AZ 85224-6199  
Tel: 480-792-7200  
Fax: 480-792-7277  
Technical Support:  
<http://www.microchip.com/support>  
Web Address:  
[www.microchip.com](http://www.microchip.com)

**Atlanta**  
Duluth, GA  
Tel: 678-957-9614  
Fax: 678-957-1455

**Boston**  
Westborough, MA  
Tel: 774-760-0087  
Fax: 774-760-0088

**Chicago**  
Itasca, IL  
Tel: 630-285-0071  
Fax: 630-285-0075

**Cleveland**  
Independence, OH  
Tel: 216-447-0464  
Fax: 216-447-0643

**Dallas**  
Addison, TX  
Tel: 972-818-7423  
Fax: 972-818-2924

**Detroit**  
Farmington Hills, MI  
Tel: 248-538-2250  
Fax: 248-538-2260

**Indianapolis**  
Noblesville, IN  
Tel: 317-773-8323  
Fax: 317-773-5453

**Los Angeles**  
Mission Viejo, CA  
Tel: 949-462-9523  
Fax: 949-462-9608

**Santa Clara**  
Santa Clara, CA  
Tel: 408-961-6444  
Fax: 408-961-6445

**Toronto**  
Mississauga, Ontario,  
Canada  
Tel: 905-673-0699  
Fax: 905-673-6509

### ASIA/PACIFIC

**Asia Pacific Office**  
Suites 3707-14, 37th Floor  
Tower 6, The Gateway  
Harbour City, Kowloon  
Hong Kong  
Tel: 852-2401-1200  
Fax: 852-2401-3431

**Australia - Sydney**  
Tel: 61-2-9868-6733  
Fax: 61-2-9868-6755

**China - Beijing**  
Tel: 86-10-8569-7000  
Fax: 86-10-8528-2104

**China - Chengdu**  
Tel: 86-28-8665-5511  
Fax: 86-28-8665-7889

**China - Chongqing**  
Tel: 86-23-8980-9588  
Fax: 86-23-8980-9500

**China - Hangzhou**  
Tel: 86-571-2819-3187  
Fax: 86-571-2819-3189

**China - Hong Kong SAR**  
Tel: 852-2401-1200  
Fax: 852-2401-3431

**China - Nanjing**  
Tel: 86-25-8473-2460  
Fax: 86-25-8473-2470

**China - Qingdao**  
Tel: 86-532-8502-7355  
Fax: 86-532-8502-7205

**China - Shanghai**  
Tel: 86-21-5407-5533  
Fax: 86-21-5407-5066

**China - Shenyang**  
Tel: 86-24-2334-2829  
Fax: 86-24-2334-2393

**China - Shenzhen**  
Tel: 86-755-8203-2660  
Fax: 86-755-8203-1760

**China - Wuhan**  
Tel: 86-27-5980-5300  
Fax: 86-27-5980-5118

**China - Xian**  
Tel: 86-29-8833-7252  
Fax: 86-29-8833-7256

**China - Xiamen**  
Tel: 86-592-2388138  
Fax: 86-592-2388130

**China - Zhuhai**  
Tel: 86-756-3210040  
Fax: 86-756-3210049

### ASIA/PACIFIC

**India - Bangalore**  
Tel: 91-80-3090-4444  
Fax: 91-80-3090-4123

**India - New Delhi**  
Tel: 91-11-4160-8631  
Fax: 91-11-4160-8632

**India - Pune**  
Tel: 91-20-2566-1512  
Fax: 91-20-2566-1513

**Japan - Yokohama**  
Tel: 81-45-471- 6166  
Fax: 81-45-471-6122

**Korea - Daegu**  
Tel: 82-53-744-4301  
Fax: 82-53-744-4302

**Korea - Seoul**  
Tel: 82-2-554-7200  
Fax: 82-2-558-5932 or  
82-2-558-5934

**Malaysia - Kuala Lumpur**  
Tel: 60-3-6201-9857  
Fax: 60-3-6201-9859

**Malaysia - Penang**  
Tel: 60-4-227-8870  
Fax: 60-4-227-4068

**Philippines - Manila**  
Tel: 63-2-634-9065  
Fax: 63-2-634-9069

**Singapore**  
Tel: 65-6334-8870  
Fax: 65-6334-8850

**Taiwan - Hsin Chu**  
Tel: 886-3-5778-366  
Fax: 886-3-5770-955

**Taiwan - Kaohsiung**  
Tel: 886-7-536-4818  
Fax: 886-7-330-9305

**Taiwan - Taipei**  
Tel: 886-2-2500-6610  
Fax: 886-2-2508-0102

**Thailand - Bangkok**  
Tel: 66-2-694-1351  
Fax: 66-2-694-1350

### EUROPE

**Austria - Wels**  
Tel: 43-7242-2244-39  
Fax: 43-7242-2244-393

**Denmark - Copenhagen**  
Tel: 45-4450-2828  
Fax: 45-4485-2829

**France - Paris**  
Tel: 33-1-69-53-63-20  
Fax: 33-1-69-30-90-79

**Germany - Munich**  
Tel: 49-89-627-144-0  
Fax: 49-89-627-144-44

**Italy - Milan**  
Tel: 39-0331-742611  
Fax: 39-0331-466781

**Netherlands - Drunen**  
Tel: 31-416-690399  
Fax: 31-416-690340

**Spain - Madrid**  
Tel: 34-91-708-08-90  
Fax: 34-91-708-08-91

**UK - Wokingham**  
Tel: 44-118-921-5869  
Fax: 44-118-921-5820

08/02/11

# Mouser Electronics

Authorized Distributor

Click to View Pricing, Inventory, Delivery & Lifecycle Information:

[Microchip:](#)

[PIC12LF1501T-I/MU](#)