

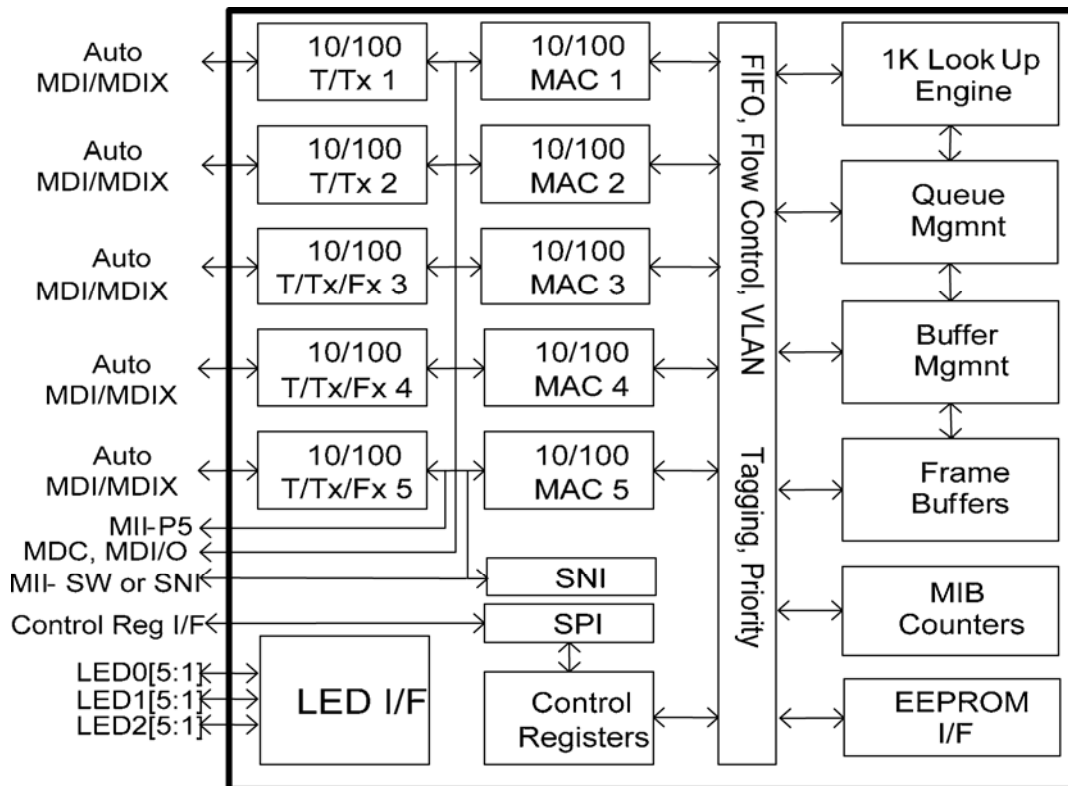
## Integrated 5-Port 10/100 Managed Switch

### Description

The KS8995FQ is a highly integrated Layer 2 managed switch with optimized bill of materials (BOM) cost for low port count, cost-sensitive 10/100Mbps switch systems. It also provides an extensive feature set such as tag/port-based VLAN, quality of service (QoS) priority, management, MIB counters, dual MII interfaces and CPU control/data interfaces to effectively address both current and emerging fast Ethernet applications.

The KZS8995FQ contains five 10/100 transceivers with patented mixed-signal low-power technology, five media access control (MAC) units, a high-speed non-blocking switch fabric, a dedicated address lookup engine, and an on-chip frame buffer memory. KSZ8995FQ supports 10BASE-T and 100 BASE-TX on port 1, 2, and 5 and 100BASE-FX on port 3, 4.

### Block Diagram



## Features

- Integrated switch with five MACs and five fast Ethernet transceivers fully compliant to IEEE 802.3u standard
- Shared memory based switch fabric with fully non blocking configuration
- 1.4Gbps high-performance memory
- 10BASE-T, 100BASE-TX, and 100BASE-FX modes on port 3 and port 4
- Dual MII configuration:
- IEEE 802.1q tag-based VLAN (16 VLANs, full-range VID)
- VLAN ID tag/untag options, per-port basis
- Programmable rate limiting 0Mbps to 100Mbps in 32Kbps increments
- Integrated 34 MIB counters per port
- Enable/Disable up to 1916 bytes frame
- IGMP v1/v2 snooping for multicast packet
- Special tagging mode to send CPU info on Ingress packet's port value
- Register control of SPI slave and MDIO
- CPU access to MAC table entries
- 802.1d Spanning Tree Protocol
- Port mirroring/monitoring/sniffing
- Broadcast storm protection
- Fiber-to-copper media conversion

- QoS/CoS packets prioritization supports
- 802.1p/q tag insertion or removal
- Register control of MDC and MDI/O
- MII local loopback support
- On-chip 64Kbyte memory for buffering
- Wire-speed reception and transmission
- 1K MAC addresses look-up engine
- Full duplex IEEE 802.3x and half-duplex
- Automatic MDI/MDI-X crossover
- Commercial temperature: 0°C to +70°C
- Industrial temperature: -40°C to +85°C
- ESD 2kV
- Available in 128-pin PQFP package

## Applications

- Broadband gateway/firewall/VPN
- Integrated DSL or cable modem multi-port router
- Wireless LAN access point plus gateway
- Home networking expansion
- Standalone 10/100 switch
- Hotel/campus/MxU gateway
- Enterprise VoIP gateway/phone
- FTTx customer premise equipment
- Managed Media converters

## Corporate Sales Offices

Location	Address		Telephone	Fax
Corporate HQ	2180 Fortune Dr.	San Jose, CA 95131 USA	(408) 944-0800	(408) 474-1000
Western USA	2180 Fortune Dr.	San Jose, CA 95131 USA	(408) 944-0800	(408) 474-1000
Central USA	2425 N. Central Expressway, Suite 351	Richardson, TX 57080 USA	(972) 393-2533	(408) 474-1210
Eastern USA	93 Branch St.	Medford, NJ 08055 USA	(609) 654-0078	(609) 654-0989
Latin America	2425 N. Central Expressway, Suite 351	Richardson, TX 57080 USA	(972) 393-2533	(408) 474-1210
China	Rm 601, Bldg., Int'l Chamber of Commerce Mansion, Fuhua Rd., Futian District	Shenzhen, P.R. China	+86-755-8302-7618	+86-755-8302-7637
Japan	Queen's Tower A 14F, 2-3-1, Minato Mirai, Nishi-Ku, Yokohama-Shi	Kanagawa 220-6014, Japan	+81-45-224-6616	+81-45-224-6716
Korea	8F AnnJay Tower Bldg., 718-2, Yeoksam-Dong	Kangnam-Ku, Seoul 135-080 Korea	82 (2) 538-2380	82 (2) 538-2381
New Zealand	Office2, CML Bldg., 2 Perry St.	Masterton, New Zealand	+64-6-378-9799	+64-6-378-9599
Singapore/India	300 Beach Rd., #10-07 Concourse	Singapore 199555	+65-6291-1318	+65-6291-1332
Taiwan	4F, No. 18 Lane 321, Yang-Guang St., Nei-Hu Chu	Taipei 11468, Taiwan, R.O.C.	+866 (2) 8751-0600	+866 (2) 8751-0746
France/Southern Europe	Les Laurentides Immeuble Ontario, 3 avenue du Quebec	91140 Villebon sur Yvette, France	+33 (0) 1.6092.4190	+33 (0) 1.6092.4189
UK/EMEA	1 <sup>st</sup> Floor, 3 Lockside Place, Mill Lane, Newbury, Berks	United Kingdom RG14 5QS	+44 (1635) 524455`	+44 (1635) 524466
Sweden/Nordic	Lundagatan 11 6tr	SE-171 63 Solna Sweden	+46 (8) 470-5950	+46 (8) 470-5950



# Mouser Electronics

Authorized Distributor

Click to View Pricing, Inventory, Delivery & Lifecycle Information:

[Microchip:](#)

[KSZ8995FQ](#)