

NCV7342

High Speed Low Power CAN Transceiver

Description

The NCV7342 CAN transceiver is the interface between a controller area network (CAN) protocol controller and the physical bus and may be used in both 12 V and 24 V systems. The transceiver provides differential transmit capability to the bus and differential receive capability to the CAN controller.

The NCV7342 is an addition to the CAN high-speed transceiver family complementing NCV734x CAN stand-alone transceivers and previous generations such as AMIS42665, AMIS3066x, etc.

Due to the wide common-mode voltage range of the receiver inputs and other design features, the NCV7342 is able to reach outstanding levels of electromagnetic susceptibility (EMS). Similarly, extremely low electromagnetic emission (EME) is achieved by the excellent matching of the output signals.

Features

- Compatible with the ISO 11898-2, ISO 11898-5 Standards
- High Speed (up to 1 Mbps)
- V_{IO} Pin on NCV7342-3 Version Allowing Direct Interfacing with 3 V to 5 V Microcontrollers
- V_{SPLIT} Pin on NCV7342-0 Version for Bus Common Mode Stabilization
- Very Low Current Consumption in Standby Mode with Wake-up via the Bus
- Excellent Electromagnetic Susceptibility (EMS) Level Over Full Frequency Range. Very Low Electromagnetic Emissions (EME) Low EME Also Without Common Mode (CM) Choke
- Bus Pins Protected Against >15 kV System ESD Pulses
- Transmit Data (TxD) Dominant Time-out Function
- Bus Dominant Time-out function in Standby Mode
- Under All Supply Condition the Chip Behaves Predictably
- No Disturbance of the Bus Lines with an Unpowered Node
- Thermal Protection
- Bus Pins Protected Against Transients in an Automotive Environment
- Bus Pins Short Circuit Proof to Supply Voltage and Ground
- These are Pb-Free Devices

Quality

- Wettable Flank Package for Enhanced Optical Inspection
- NCV Prefix for Automotive and Other Applications Requiring Unique Site and Control Change Requirements; AEC-Q100 Qualified and PPAP Capable

Typical Applications

- Automotive
- Industrial Networks



ON Semiconductor®

www.onsemi.com

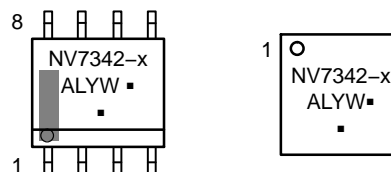


SOIC-8
D SUFFIX
CASE 751AZ



DFN8
MW SUFFIX
CASE 506DG

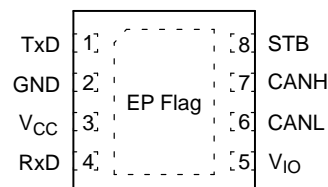
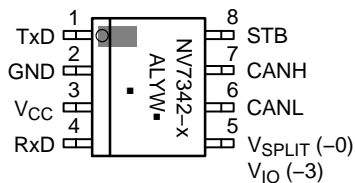
MARKING DIAGRAMS



NV7342-x = Specific Device Code
x = 0 or 3
A = Assembly Location
L = Wafer Lot
Y = Year
W = Work Week
▪ = Pb-Free Package

(Note: Microdot may be in either location)

PIN ASSIGNMENTS



(Top Views)

ORDERING INFORMATION

See detailed ordering and shipping information in the package dimensions section on page 13 of this data sheet.

NCV7342

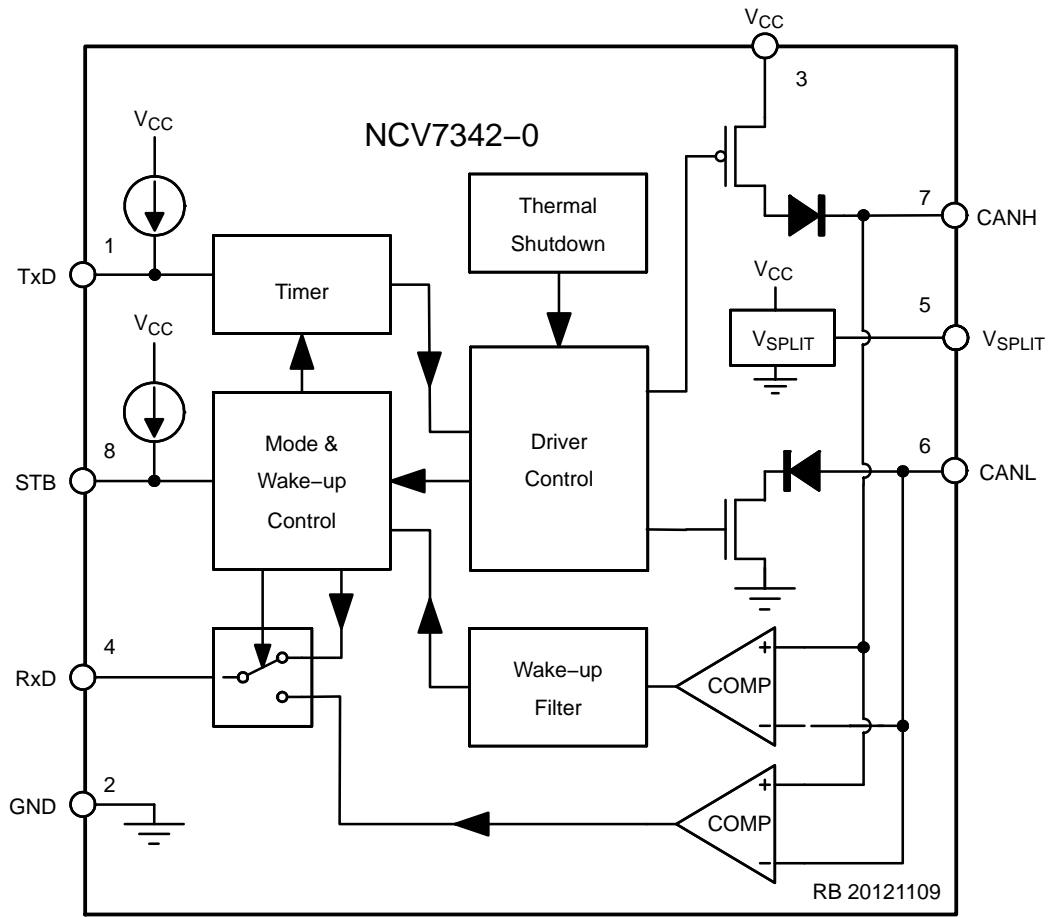
Table 1. KEY TECHNICAL CHARACTERISTICS AND OPERATING RANGES

| Symbol | Parameter | Conditions | Min | Typ | Max | Unit |
|------------------------|---|--|-----|-----|----------|------------------|
| V_{CC} | Power supply voltage | | 4.5 | | 5.5 | V |
| V_{UVVCC} | Undervoltage detection voltage on pin V_{CC} (NCV7342–3 only) | | 3.5 | | 4.5 | V |
| I_{CC} | Supply current | Dominant; $V_{TxD} = 0$ V Recessive; $V_{TxD} = V_{IO}$ | | | 75 10 | mA |
| I_{CCS} | Supply current in standby mode including V_{IO} current | $T_J \leq 100^\circ\text{C}$, (Note 1) | | | 15 | μA |
| V_{CANH} | DC voltage at pin CANH | $0 < V_{CC} < 5.5$ V; no time limit | -50 | | +50 | V |
| V_{CANL} | DC voltage at pin CANL | $0 < V_{CC} < 5.5$ V; no time limit | -50 | | +50 | V |
| $V_{CANH,L}$ | DC voltage between CANH and CANL pin | $0 < V_{CC} < 5.5$ V | -50 | | +50 | V |
| V_{ESD} | Electrostatic discharge voltage | IEC 61000–4–2 at pins CANH and CANL | -15 | | 15 | kV |
| $V_{O(dif)(bus_dom)}$ | Differential bus output voltage in dominant state | $45 \Omega < R_{LT} < 65 \Omega$ | 1.5 | | 3 | V |
| CM–range | Input common–mode range for comparator | Guaranteed differential receiver threshold and leakage current | -35 | | +35 | V |
| C_{load} | Load capacitance on IC outputs | | | | 15 | pF |
| t_{pd_dr} | Propagation delay TxD to RxD dominant to recessive transition See Figure 8 | $C_i = 100$ pF between CANH to CANL, $C_{RxD} = 15$ pF | 50 | 100 | 230 | ns |
| t_{pd_rd} | Propagation delay TxD to RxD recessive to dominant transition See Figure 8 | $C_i = 100$ pF between CANH to CANL, $C_{RxD} = 15$ pF | 50 | 120 | 230 | ns |
| T_J | Junction temperature | | -40 | | 150 | $^\circ\text{C}$ |

1. Not tested in production. Guaranteed by design and prototype evaluation.

NCV7342

BLOCK DIAGRAMS



NCV7342

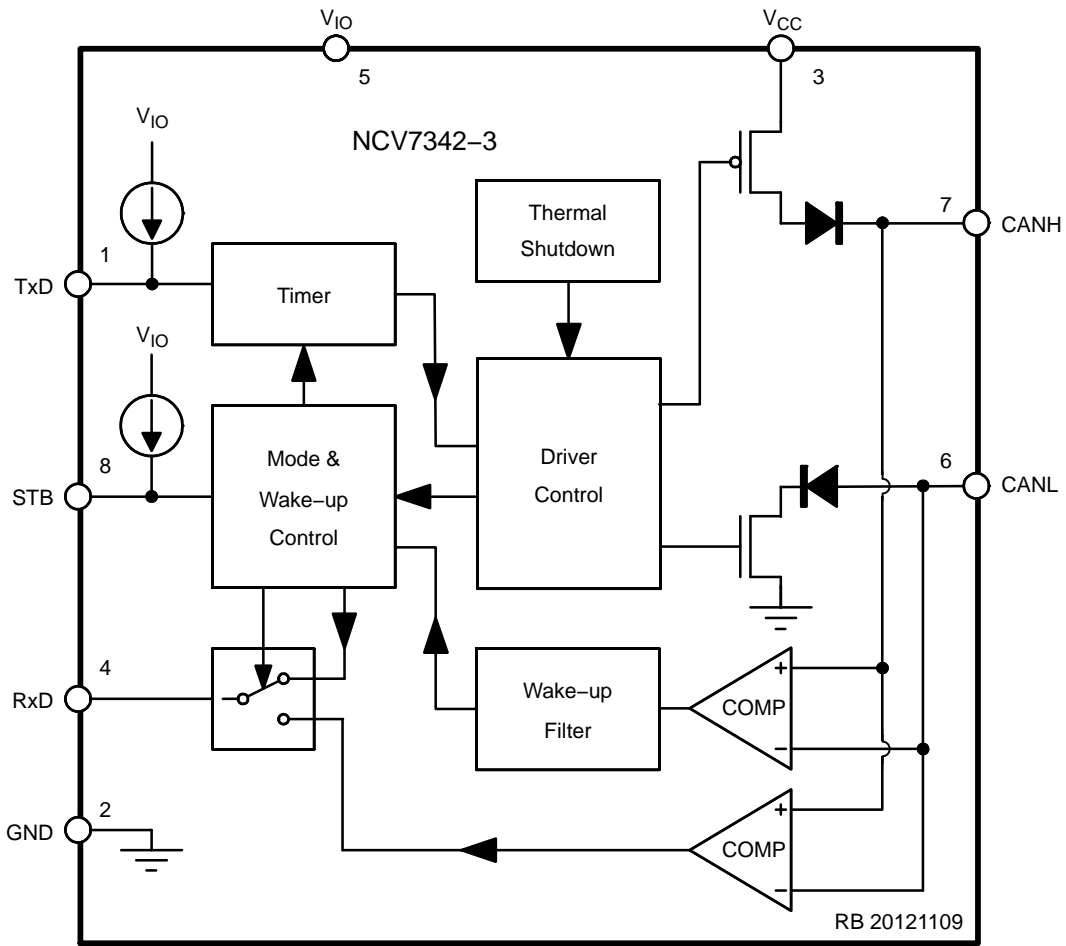


Figure 2. NCV7342-3 Block Diagram

NCV7342

TYPICAL APPLICATION

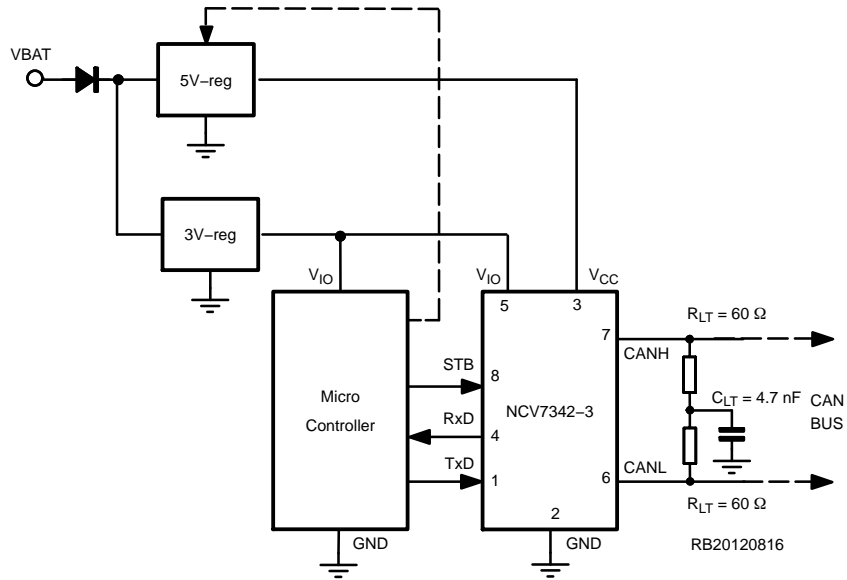


Figure 3. Application Diagram NCV7342-3

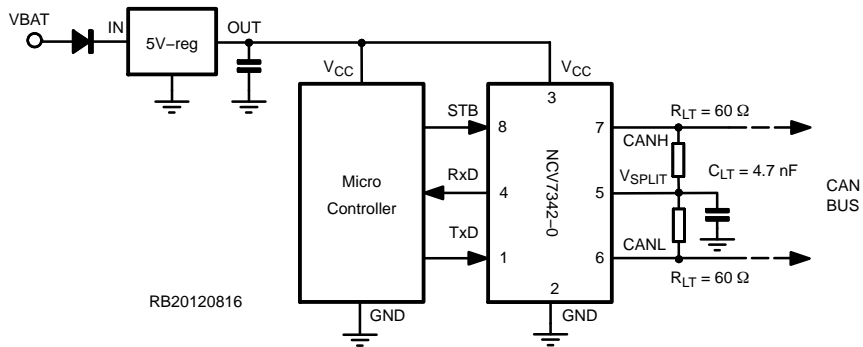


Figure 4. Application Diagram NCV7342-0

Table 2. PIN FUNCTION DESCRIPTION

| Pin | Name | Description |
|-----|--------------------|--|
| 1 | TxD | Transmit data input; Low input → dominant driver; internal pull-up current |
| 2 | GND | Ground |
| 3 | V _{CC} | Supply voltage |
| 4 | RxD | Receive data output; dominant transmitter → Low output |
| 5 | V _{IO} | Input/Output pins supply voltage. On NCV7342-3 only |
| 5 | V _{SPLIT} | Common-mode stabilization output. On NCV7342-0 only |
| 6 | CANL | Low-level CAN bus line (Low in dominant mode) |
| 7 | CANH | High-level CAN bus line (High in dominant mode) |
| 8 | STB | Standby mode control input |
| EP | Exposed Pad | Connect to GND or left floating |

FUNCTIONAL DESCRIPTION

NCV7342 has two versions which differ from each other only by function of pin 5.

NCV7342-0: Pin 5 is common mode stabilization output V_{SPLIT} . (see Figure 4) This version is full replacement of NCV7340.

NCV7342-3: Pin 5 is V_{IO} pin, which is supply pin for transceiver digital inputs/output (supplying pins TxD, RxD, STB) The V_{IO} pin should be connected to microcontroller supply pin. By using V_{IO} supply pin shared with microcontroller, the I/O levels between microcontroller and transceiver are properly adjusted. This adjustment allows communication between 3 V microcontroller and the transceiver. (See Figure 3)

Operating Modes

NCV7342 provides two modes of operation as illustrated in Table 3. These modes are selectable through pin STB.

Table 3. OPERATING MODES

| Pin STB | Mode | Pin RxD | |
|---------|---------|--------------------------|-----------------------------|
| | | Low | High |
| Low | Normal | Bus dominant | Bus recessive |
| High | Standby | Wake-up request detected | No wake-up request detected |

Normal Mode

In normal mode, the transceiver is able to communicate via the bus lines. The signals are transmitted and received to the CAN controller via the pins TxD and RxD. The slopes on the bus lines outputs are optimized to give extremely low EME.

Standby Mode

In standby mode both the transmitter and receiver are disabled and a very low-power differential receiver

monitors the bus lines for CAN bus activity. The bus lines are terminated to ground and supply current is reduced to a minimum, typically 10 μA . When a wake-up request is detected by the low-power differential receiver, the signal is first filtered and then verified as a valid wake signal after a time period of $t_{dwakerd}$. The RxD pin is driven Low by the transceiver to inform the controller of the wake-up request.

V_{IO} Supply Pin

The V_{IO} pin (available only on NCV7342-3 version) should be connected to microcontroller supply pin. By using V_{IO} supply pin shared with microcontroller the I/O levels between microcontroller and transceiver are properly adjusted. See Figure 3. Pin V_{IO} also provides the internal supply voltage for low-power differential receiver of the transceiver. This allows detection of wake-up request even when there is no supply voltage on Pin V_{CC} .

Split Circuit

The V_{SPLIT} pin (available on NCV7342-0 version) is operational only in normal mode. In standby mode this pin is floating. The V_{SPLIT} can be connected as shown in Figure 4 or, if it's not used, can be left floating. Its purpose is to provide a stabilized DC voltage of $0.5 \cdot V_{CC}$ to the bus reducing possible steps in the common-mode signal, therefore reducing EME. These unwanted steps could be caused by an unpowered node on the network with excessive leakage current from the bus that shifts the recessive voltage from its nominal $0.5 \cdot V_{CC}$ voltage.

Wake-up

When a valid wake-up (dominant state longer than t_{Wake}) is received during the standby mode, the RxD pin is driven Low after $t_{dwakerd}$. The wake-up detection is not latched: RxD returns to High state after $t_{dwakedr}$ when the bus signal is released back to recessive – see Figure 5.

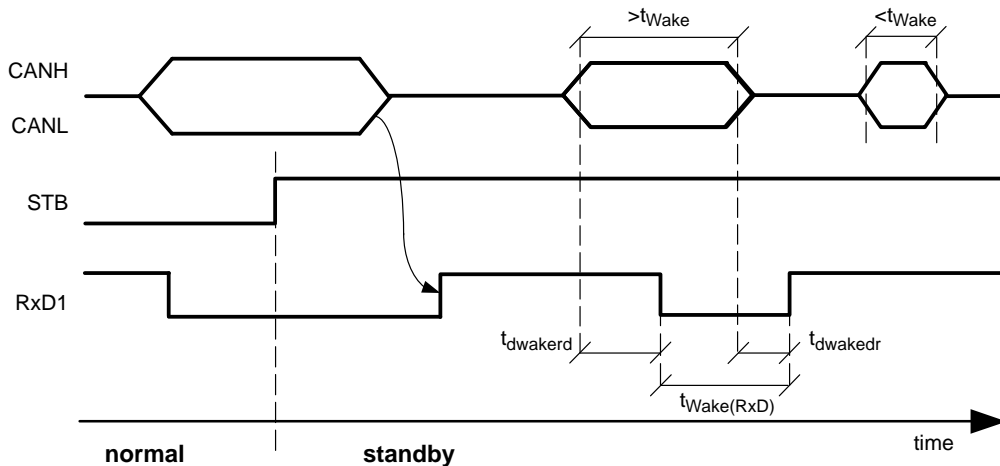


Figure 5. NCV7342 Wake-up behavior

Over-temperature Detection

A thermal protection circuit protects the IC from damage by switching off the transmitter if the junction temperature exceeds a value of approximately 180°C. Because the transmitter dissipates most of the power, the power dissipation and temperature of the IC is reduced. All other IC functions continue to operate. The transmitter off-state resets when the temperature decreases below the shutdown threshold and pin TxD goes High. The thermal protection circuit is particularly needed in case of a bus line failure.

TxD Dominant Time-out Function

A TxD dominant time-out timer circuit prevents the bus lines being driven to a permanent dominant state (blocking all network communication), if pin TxD is forced permanently Low by a hardware and/or software application failure. The timer is triggered by a negative edge on pin TxD. If the duration of the low-level on pin TxD exceeds the internal timer value $t_{\text{dom(TxD)}}$, the transmitter is disabled, driving the bus into a recessive state. The timer is reset by a positive edge on pin TxD.

This TxD dominant time-out time ($t_{\text{dom(TxD)}}$) limits the minimum possible bit rate to 8 kbps.

Bus Dominant Time-out Function

Bus dominant time-out timer is started in the standby mode when CAN bus changes from recessive to dominant

state. If the dominant state on the bus is kept for longer time than $t_{\text{dom(bus)}}$, the RxD pin is released to High level. The timer is reset when CAN bus changes from dominant to recessive state. This feature prevents generating permanent wake-up request by the bus clamped to the dominant level.

Fail Safe Features

A current-limiting circuit protects the transmitter output stage from damage caused by an accidental short circuit to either positive or negative supply voltage, although power dissipation increases during this fault condition.

V_{CC} supply dropping below V_{UVVCC} undervoltage level will force transceiver to switch into the standby mode. The logic level on pin STB will be ignored as long as undervoltage condition is not recovered. (NCV7342-3 version only)

V_{IO} supply dropping below V_{UVDVIO} undervoltage detection level will cause the transceiver to disengage from the bus (no bus loading) until the V_{IO} voltage recovers. (NCV7342-3 version only)

The pins CANH and CANL are protected against automotive electrical transients (according to ISO 7637; see Figure 6). Pins TxD and STB are pulled High internally should the input become disconnected. Pins TxD, STB and RxD will be floating, preventing reverse supply should the V_{CC} supply be removed.

ELECTRICAL CHARACTERISTICS

Definitions

All voltages are referenced to GND (pin 2). Positive currents flow into the IC. Sinking current means the current is flowing into the pin; sourcing current means the current is flowing out of the pin.

Table 4. ABSOLUTE MAXIMUM RATINGS

| Symbol | Parameter | Conditions | Min | Max | Unit |
|------------------------|---|---|------|------|------|
| V _{SUP} | Supply voltage V _{CC} , V _{IO} | | -0.3 | +6 | V |
| V _{CANH} | DC voltage at pin CANH | 0 < V _{CC} < 5.5 V; no time limit | -50 | +50 | V |
| V _{CANL} | DC voltage at pin CANL | 0 < V _{CC} < 5.5 V; no time limit | -50 | +50 | V |
| V _{CANH,Lmax} | DC voltage at pin CANH and CANL during load dump condition | 0 < V _{CC} < 5.5 V; less than one second | - | 58 | V |
| V _{SPLIT} | DC voltage at V _{SPLIT} pin (On NCV7342-0 version only) | 0 < V _{CC} < 5.5 V; no time limit | -50 | +50 | V |
| V _{IO} | DC voltage at pin TxD, RxD, STB | | -0.3 | +6 | V |
| V _{esd} | Electrostatic discharge voltage at all pins according to EIA-JESD22 | (Note 2) | -4 | +4 | kV |
| | Standardized charged device model ESD pulses according to ESD-STM5.3.1-1999 | | -750 | +750 | V |
| | Electrostatic discharge voltage at CANH,CANL, V _{SPLIT} pins according to EIA-JESD22 | (Note 2) | -8 | +8 | kV |
| | Electrostatic discharge voltage at CANH, CANL pins According to IEC 61000-4-2 | (Note 3) | -15 | +15 | kV |
| V _{schaff} | Transient voltage at CANH, CANL pins, See Figure 6 | (Note 4) | -150 | +100 | V |
| Latch-up | Static latch-up at all pins | (Note 5) | | 150 | mA |
| T _{stg} | Storage temperature | | -55 | +150 | °C |
| T _{amb} | Ambient temperature | | -40 | +125 | °C |
| T _J | Maximum junction temperature | | -40 | +170 | °C |
| MSL | Moisture Sensitivity Level SOIC | | 2 | | - |
| MSL | Moisture Sensitivity Level DFN | | 1 | | - |
| T _{SLD} | Lead Temperature Soldering Reflow (SMD Styles Only), Pb-Free Versions (Note 6) | | 260 | | °C |

Stresses exceeding those listed in the Maximum Ratings table may damage the device. If any of these limits are exceeded, device functionality should not be assumed, damage may occur and reliability may be affected.

- Standardized human body model electrostatic discharge (ESD) pulses in accordance to EIA-JESD22. Equivalent to discharging a 100 pF capacitor through a 1.5 kΩ resistor.
- System human body model electrostatic discharge (ESD) pulses. Equivalent to discharging a 150 pF capacitor through a 330 Ω resistor referenced to GND. Verified by external test house
- Pulses 1, 2a,3a and 3b according to ISO 7637 part 3. Verification by external test house.
- Static latch-up immunity: Static latch-up protection level when tested according to EIA/JESD78.
- For information, please refer to our Soldering and Mounting Techniques Reference Manual, SOLDERRM/D

Table 5. THERMAL CHARACTERISTICS

| Rating | Symbol | Value | Unit |
|---|------------------|-------|------|
| Thermal Characteristics, SOIC-8 (Note 7) Thermal Resistance, Junction-to-Air, Free air, 1S0P PCB (Note 8) Thermal Resistance, Junction-to-Air, Free air, 2S2P PCB (Note 9) | R _{θJA} | 125 | °C/W |
| | R _{θJA} | 75 | °C/W |
| Thermal Characteristics, DFN-8, 3x3 mm (Note 7) Thermal Resistance, Junction-to-Air, Free air, 1S0P PCB (Note 8) Thermal Resistance, Junction-to-Air, Free air, 2S2P PCB (Note 9) | R _{θJA} | 140 | °C/W |
| | R _{θJA} | 47 | °C/W |

- Refer to ELECTRICAL CHARACTERISTICS, RECOMMENDED OPERATING RANGES and/or APPLICATION INFORMATION for Safe Operating parameters.
- Values based on test board according to EIA/JEDEC Standard JESD51-3, signal layer with 10% trace coverage.
- Values based on test board according to EIA/JEDEC Standard JESD51-7, signal layers with 10% trace coverage for the signal layer and 4 thermal vias connected between exposed pad and first inner Cu layer.

NCV7342

Table 6. CHARACTERISTICS

$V_{CC} = 4.5\text{ V to }5.5\text{ V}$; $V_{IO} = 2.8\text{ V to }5.5\text{ V}$ (Note 10); $T_J = -40\text{ to }+150^\circ\text{C}$; $R_{LT} = 60\ \Omega$ unless specified otherwise. On chip versions without V_{IO} pin reference voltage for all digital inputs and outputs is V_{CC} instead of V_{IO} .

| Symbol | Parameter | Conditions | Min | Typ | Max | Unit |
|---|--|--|----------------|----------------|---------------------------|---------------|
| SUPPLY (Pin V_{CC}) | | | | | | |
| I_{CC} | Supply current | Dominant; $V_{TXD} = 0\text{ V}$ Recessive; $V_{TXD} = V_{IO}$ | | 50 6.8 | 75 10 | mA |
| I_{CCS0} | Supply current in standby mode for NCV7342-0 | $T_J \leq 100^\circ\text{C}$ (Note 11) | | 8 | 15 | μA |
| I_{CCS3} | Supply current in standby mode for NCV7342-3 including current into V_{IO} | $T_J \leq 100^\circ\text{C}$ (Note 11) | | | 17 | μA |
| V_{UVVCC} | Undervoltage detection voltage on V_{CC} pin (NCV7342-3 only) | | 3.5 | | 4.5 | V |
| TRANSMITTER DATA INPUT (Pin TxD) | | | | | | |
| V_{IH} | High-level input voltage | Output recessive | 2.0 | | 6 | V |
| V_{IL} | Low-level input voltage | Output dominant | -0.3 | | +0.8 | V |
| I_{IH} | High-level input current | $V_{TXD} = V_{IO}$ | -5 | 0 | +5 | μA |
| I_{IL} | Low-level input current | $V_{TXD} = 0\text{ V}$ | -385 | -200 | -45 | μA |
| C_i | Input capacitance | Not tested | | 5 | 10 | pF |
| TRANSMITTER MODE SELECT (Pin STB) | | | | | | |
| V_{IH} | High-level input voltage | Standby mode | 2.0 | | $V_{IO}+0.3$ (Note 12) | V |
| V_{IL} | Low-level input voltage | Normal mode | -0.3 | | +0.8 | V |
| I_{IH} | High-level input current | $V_{STB} = V_{IO}$ | -5 | 0 | +5 | μA |
| I_{IL} | Low-level input current | $V_{STB} = 0\text{ V}$ | -10 | -4 | -1 | μA |
| C_i | Input capacitance | Not tested | | 5 | 10 | pF |
| RECEIVER DATA OUTPUT (Pin RxD) | | | | | | |
| I_{OH} | High-level output current | Normal mode $V_{RxD} = V_{IO} - 0.4\text{ V}$ | -1.2 | -0.4 | -0.1 | mA |
| I_{OL} | Low-level output current | $V_{RxD} = 0.4\text{ V}$ | 1.5 | 6 | 12 | mA |
| V_{OH} | High-level output voltage | Standby mode $I_{RxD} = -100\ \mu\text{A}$ | $V_{IO} - 1.1$ | $V_{IO} - 0.7$ | $V_{IO} - 0.4$ | V |
| BUS LINES (Pins $CANH$ and $CANL$) | | | | | | |
| $V_{o(\text{reces})}$ (norm) | Recessive bus voltage on pins $CANH$ and $CANL$ | $V_{TXD} = V_{IO}$; no load; normal mode | 2.0 | 2.5 | 3.0 | V |
| $V_{o(\text{reces})}$ (stby) | Recessive bus voltage on pins $CANH$ and $CANL$ | $V_{TXD} = V_{IO}$; no load; standby mode | -100 | 0 | +100 | mV |
| $I_{o(\text{reces})}$ ($CANH$) | Recessive output current at pin $CANH$ | $-30\text{ V} < V_{CANH} < 35\text{ V}$; $0\text{ V} < V_{CC} < 5.5\text{ V}$ | -2.5 | | +2.5 | mA |
| $I_{o(\text{reces})}$ ($CANL$) | Recessive output current at pin $CANL$ | $-30\text{ V} < V_{CANL} < 35\text{ V}$; $0\text{ V} < V_{CC} < 5.5\text{ V}$ | -2.5 | | +2.5 | mA |
| I_{LI} ($CANH$) | Input leakage current to pin $CANH$ | $0\ \Omega < R(V_{CC}\text{ to GND}) < 1\text{ M}\Omega$ $0\ \Omega < R(V_{IO}\text{ to GND}) < 1\text{ M}\Omega$ | -10 | 0 | +10 | μA |
| I_{LI} ($CANL$) | Input leakage current to pin $CANL$ | $V_{CANL} = V_{CANH} = 5\text{ V}$ (Note 10) | -10 | 0 | +10 | μA |
| $V_{o(\text{dom})}$ ($CANH$) | Dominant output voltage at pin $CANH$ | $V_{TXD} = 0\text{ V}$ | 3.0 | 3.6 | 4.25 | V |

10. Only version NCV7342-3 has V_{IO} supply pin. In NCV7342-0 this supply is provided from V_{CC} pin.

11. Not tested in production. Guaranteed by design and prototype evaluation.

12. In case $V_{IO} > V_{CC}$, the limit is $V_{IO} + 0.3\text{ V}$

NCV7342

Table 6. CHARACTERISTICS

$V_{CC} = 4.5\text{ V to }5.5\text{ V}$; $V_{IO} = 2.8\text{ V to }5.5\text{ V}$ (Note 10); $T_J = -40\text{ to }+150^\circ\text{C}$; $R_{LT} = 60\ \Omega$ unless specified otherwise. On chip versions without V_{IO} pin reference voltage for all digital inputs and outputs is V_{CC} instead of V_{IO} .

| Symbol | Parameter | Conditions | Min | Typ | Max | Unit |
|---------------------------------------|---|---|------|------|------|------------|
| BUS LINES (Pins CANH and CANL) | | | | | | |
| $V_{o(dom)} (CANL)$ | Dominant output voltage at pin CANL | $V_{TxD} = 0\text{ V}$ | 0.5 | 1.4 | 1.75 | V |
| $V_{o(dif)} (bus_dom)$ | Differential bus output voltage ($V_{CANH} - V_{CANL}$) | $V_{TxD} = 0\text{ V}$; dominant; $45\ \Omega < R_{LT} < 65\ \Omega$ | 1.5 | 2.25 | 3.0 | V |
| $V_{o(dif)} (bus_rec)$ | Differential bus output voltage ($V_{CANH} - V_{CANL}$) | $V_{TxD} = V_{IO}$; recessive; no load | -120 | 0 | +50 | mV |
| $V_{o(sym)} (bus_dom)$ | Bus output voltage symmetry $V_{CANH} + V_{CANL}$ | $V_{TxD} = 0\text{ V}$ | 0.9 | | 1.1 | V_{CC} |
| $I_{o(sc)} (CANH)$ | Short circuit output current at pin CANH | $V_{CANH} = 0\text{ V}$; $V_{TxD} = 0\text{ V}$ | -90 | -70 | -40 | mA |
| $I_{o(sc)} (CANL)$ | Short circuit output current at pin CANL | $V_{CANL} = 36\text{ V}$; $V_{TxD} = 0\text{ V}$ | 40 | 70 | 100 | mA |
| $V_{i(dif)} (th)$ | Differential receiver threshold voltage | $-12\text{ V} < V_{CANL} < 12\text{ V}$; $-12\text{ V} < V_{CANH} < 12\text{ V}$; $V_{CC} = 4.75\text{ V to }5.25\text{ V}$ | 0.5 | 0.7 | 0.9 | V |
| $V_{ihcm(dif)} (th)$ | Differential receiver threshold voltage for high common-mode | $-30\text{ V} < V_{CANL} < 35\text{ V}$; $-30\text{ V} < V_{CANH} < 35\text{ V}$; $V_{CC} = 4.75\text{ V to }5.25\text{ V}$ | 0.40 | 0.7 | 1.0 | V |
| $V_{i(dif)} (th)_STDBY$ | Differential receiver threshold voltage in standby mode | $-12\text{ V} < V_{CANL} < 12\text{ V}$; $-12\text{ V} < V_{CANH} < 12\text{ V}$; $V_{CC} = 4.5\text{ V to }5.5\text{ V}$ | 0.4 | 0.8 | 1.15 | V |
| $R_{i(cm)} (CANH)$ | Common-mode input resistance at pin CANH | | 15 | 26 | 37 | k Ω |
| $R_{i(cm)} (CANL)$ | Common-mode input resistance at pin CANL | | 15 | 26 | 37 | k Ω |
| $R_{i(cm)} (m)$ | Matching between pin CANH and pin CANL common mode input resistance | $V_{CANH} = V_{CANL}$ | -0.8 | 0 | +0.8 | % |
| $R_{i(dif)}$ | Differential input resistance | | 25 | 50 | 75 | k Ω |
| $C_{i(CANH)}$ | Input capacitance at pin CANH | $V_{TxD} = V_{IO}$; not tested | | 7.5 | 20 | pF |
| $C_{i(CANL)}$ | Input capacitance at pin CANL | $V_{TxD} = V_{IO}$; not tested | | 7.5 | 20 | pF |
| $C_{i(dif)}$ | Differential input capacitance | $V_{TxD} = V_{IO}$; not tested | | 3.75 | 10 | pF |

COMMON-MODE STABILIZATION (Pin V_{SPLIT}) Only for NCV7342-0 version

| | | | | | | |
|------------------|---|--|------|--|------|---------------|
| V_{SPLIT} | Reference output voltage at pin V_{SPLIT} | Normal mode; $-500\ \mu\text{A} < I_{SPLIT} < 500\ \mu\text{A}$ | 0.3 | | 0.7 | V_{CC} |
| V_{SPLITo} | Reference output voltage at pin V_{SPLIT} | $R_{loadVsplit} > 1\ \text{M}\Omega$ | 0.45 | | 0.55 | V_{CC} |
| $I_{SPLIT(i)}$ | V_{SPLIT} leakage current | Standby mode | -5 | | +5 | μA |
| $I_{SPLIT(lim)}$ | V_{SPLIT} limitation current | Normal mode | 1.3 | | 5 | mA |

 V_{IO} SUPPLY VOLTAGE (Pin V_{IO}) Only for NCV7342-3 version

| | | | | | | |
|-----------|--|--|-----|--|-----|---------------|
| V_{IO} | Supply voltage on pin V_{IO} | | 2.8 | | 5.5 | V |
| I_{IOS} | Supply current on pin V_{IO} in standby mode | $T_J \leq 100^\circ\text{C}$ (Note 11) | | | 14 | μA |

10. Only version NCV7342-3 has V_{IO} supply pin. In NCV7342-0 this supply is provided from V_{CC} pin.

11. Not tested in production. Guaranteed by design and prototype evaluation.

12. In case $V_{IO} > V_{CC}$, the limit is $V_{IO} + 0.3\text{ V}$

NCV7342

Table 6. CHARACTERISTICS

$V_{CC} = 4.5\text{ V to }5.5\text{ V}$; $V_{IO} = 2.8\text{ V to }5.5\text{ V}$ (Note 10); $T_J = -40\text{ to }+150^\circ\text{C}$; $R_{LT} = 60\ \Omega$ unless specified otherwise. On chip versions without V_{IO} pin reference voltage for all digital inputs and outputs is V_{CC} instead of V_{IO} .

| Symbol | Parameter | Conditions | Min | Typ | Max | Unit |
|--|--|--|--------------|--------------|--------------|------|
| V_{IO} SUPPLY VOLTAGE (Pin V_{IO}) Only for NCV7342–3 version | | | | | | |
| I_{IONM} | Supply current on pin V_{IO} | Normal mode Dominant; $V_{TxD} = 0\text{ V}$ Recessive; $V_{TxD} = V_{IO}$ | 0.30 0.29 | 0.70 0.44 | 1.10 0.68 | mA |
| V_{UVDVIO} | Undervoltage detection voltage on V_{IO} pin | | 1.3 | | 2.7 | V |

THERMAL SHUTDOWN

| Symbol | Parameter | Conditions | Min | Typ | Max | Unit |
|-------------|-------------------------------|-----------------------------|-----|-----|-----|------------------|
| $T_{J(SD)}$ | Shutdown junction temperature | junction temperature rising | 160 | 180 | 200 | $^\circ\text{C}$ |

TIMING CHARACTERISTICS (See Figure 7 and 8)

| Symbol | Parameter | Conditions | Min | Typ | Max | Unit |
|---------------------|--|--|-----|-----|-----|---------------|
| $t_{d(TxD-BUSon)}$ | Delay TxD to bus active | $C_i = 100\text{ pF}$ between CANH to CANL | | 60 | | ns |
| $t_{d(TxD-BUSoff)}$ | Delay TxD to bus inactive | $C_i = 100\text{ pF}$ between CANH to CANL | | 30 | | ns |
| $t_{d(BUSon-RxD)}$ | Delay bus active to RxD | $C_{RxD} = 15\text{ pF}$ | | 60 | | ns |
| $t_{d(BUSoff-RxD)}$ | Delay bus inactive to RxD | $C_{RxD} = 15\text{ pF}$ | | 70 | | ns |
| t_{pd_dr} | Propagation delay TxD to RxD dominant to recessive transition See Figure 8 | $C_i = 100\text{ pF}$ between CANH to CANL, $C_{RxD} = 15\text{ pF}$ | 50 | 100 | 230 | ns |
| t_{pd_rd} | Propagation delay TxD to RxD recessive to dominant transition See Figure 8 | $C_i = 100\text{ pF}$ between CANH to CANL, $C_{RxD} = 15\text{ pF}$ | 50 | 120 | 230 | ns |
| $t_{d(stb-nm)}$ | Delay standby mode to normal mode | | | | 47 | μs |
| t_{Wake} | Dominant time for wake-up via bus | | 0.5 | 2.1 | 5 | μs |
| $t_{dwakerd}$ | Delay to flag wake event (recessive to dominant transitions) See Figure 5 | Valid bus wake-up event, $C_{RxD} = 15\text{ pF}$ | 1 | 3.5 | 10 | μs |
| $t_{dwakedr}$ | Delay to flag end of wake event (dominant to recessive transition) See Figure 5 | Valid bus wake-up event, $C_{RxD} = 15\text{ pF}$ | 0.5 | 2.6 | 6 | μs |
| $t_{Wake(RxD)}$ | Minimum pulse width on RxD See Figure 5 | $5\ \mu\text{s } t_{Wake}$ $C_{RxD} = 15\text{ pF}$ | 0.5 | | | μs |
| $t_{dom(TxD)}$ | TxD dominant time for time out | $V_{TxD} = 0\text{ V}$ | 1.3 | | 5 | ms |
| $t_{dom(bus)}$ | Bus dominant time out | Standby mode | 1.3 | | 5 | ms |

10. Only version NCV7342–3 has V_{IO} supply pin. In NCV7342–0 this supply is provided from V_{CC} pin.

11. Not tested in production. Guaranteed by design and prototype evaluation.

12. In case $V_{IO} > V_{CC}$, the limit is $V_{IO} + 0.3\text{ V}$

Product parametric performance is indicated in the Electrical Characteristics for the listed test conditions, unless otherwise noted. Product performance may not be indicated by the Electrical Characteristics if operated under different conditions.

NCV7342

MEASUREMENT SET-UPS AND DEFINITIONS

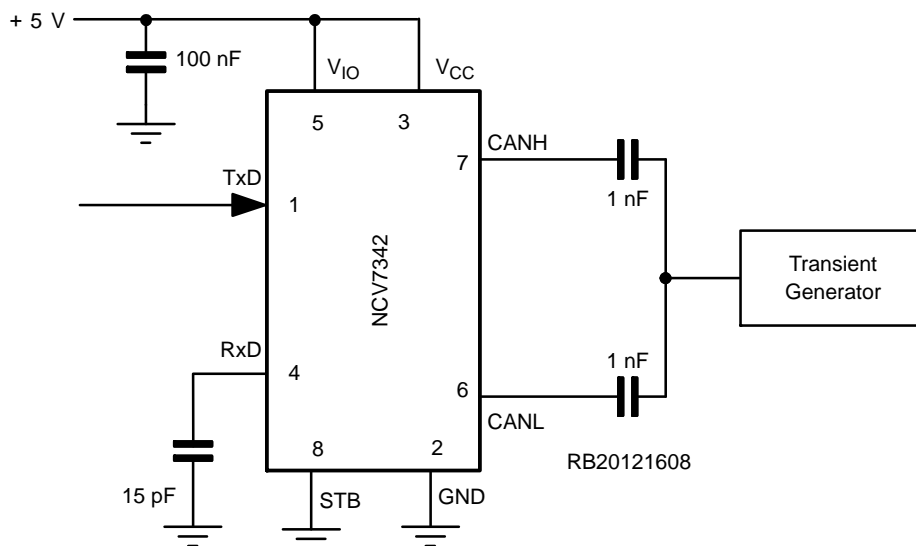


Figure 6. Test Circuit for Automotive Transients

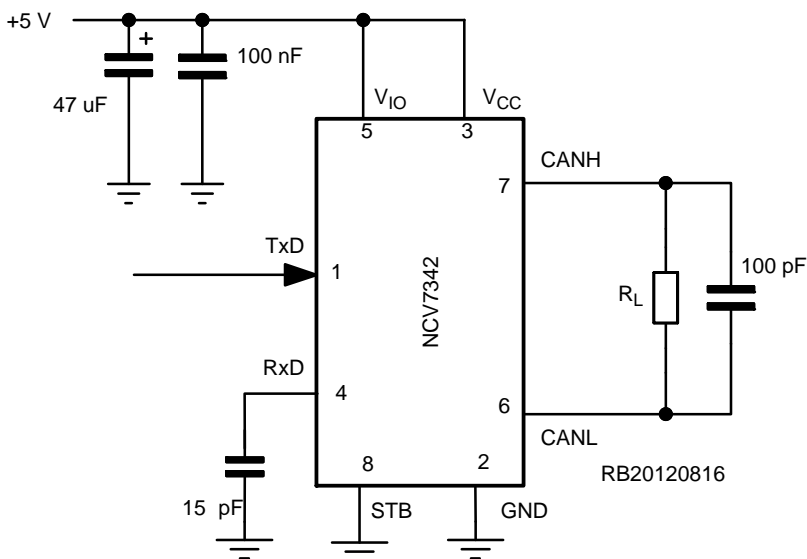


Figure 7. Test Circuit for Timing Characteristics

NCV7342

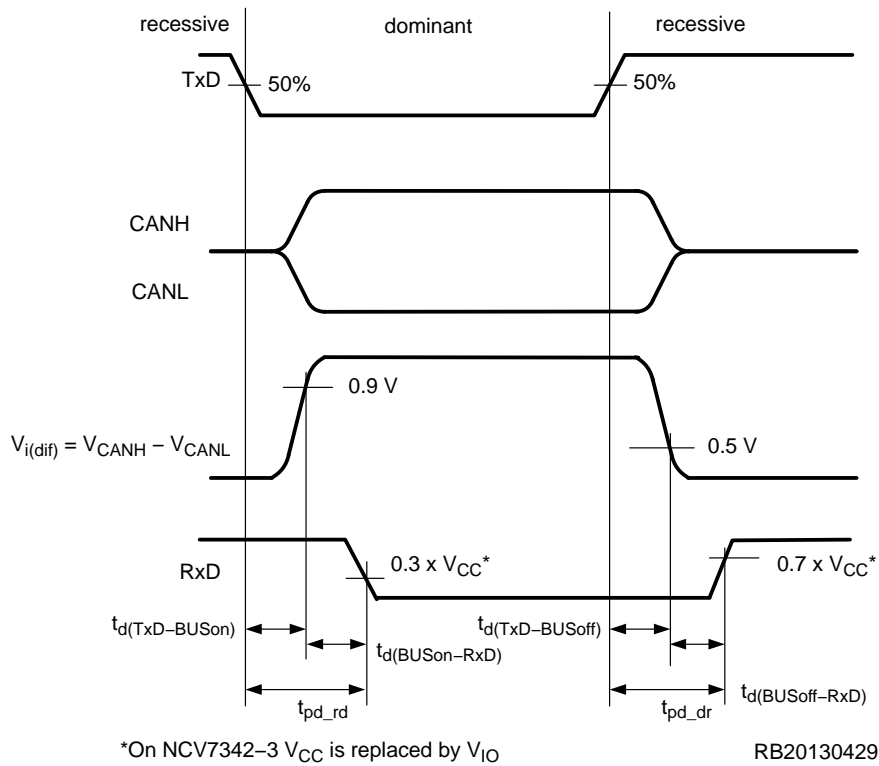


Figure 8. Transceiver Timing Diagram

DEVICE ORDERING INFORMATION

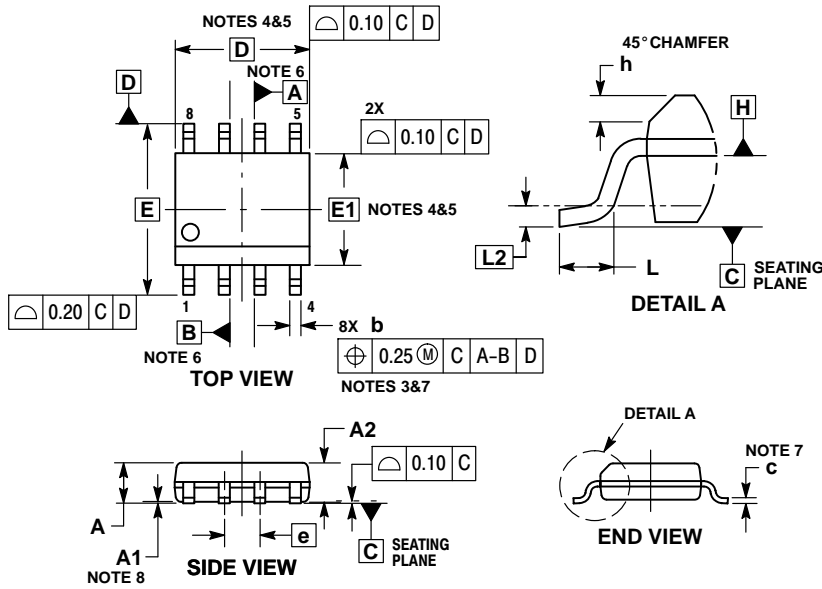
| Part Number | Description | Package | Shipping [†] |
|---------------|---|---|-----------------------|
| NCV7342D10R2G | High Speed CAN Transceiver with Standby and V_{SPLIT} pin | SOIC 150 8 GREEN (Matte Sn, JEDEC MS-012) (Pb-Free) | 3000 / Tape & Reel |
| NCV7342D13R2G | High Speed CAN Transceiver with Standby and V_{IO} pin | | |
| NCV7342MW3R2G | High Speed CAN Transceiver with Standby and V_{IO} pin | DFN 8 Wettable Flank (Pb-Free) | 3000 / Tape & Reel |

[†]For information on tape and reel specifications, including part orientation and tape sizes, please refer to our Tape and Reel Packaging Specifications Brochure, BRD8011/D.

NCV7342

PACKAGE DIMENSIONS

SOIC-8 CASE 751AZ ISSUE B

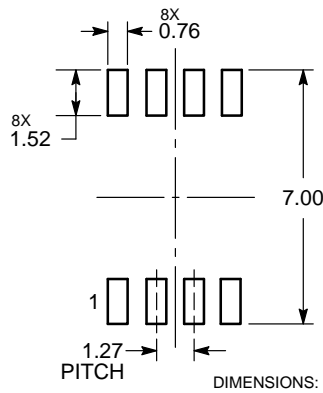


NOTES:

1. DIMENSIONING AND TOLERANCING PER ASME Y14.5M, 1994.
2. CONTROLLING DIMENSION: MILLIMETERS.
3. DIMENSION b DOES NOT INCLUDE DAMBAR PROTRUSION. ALLOWABLE PROTRUSION SHALL BE 0.004 mm IN EXCESS OF MAXIMUM MATERIAL CONDITION.
4. DIMENSION D DOES NOT INCLUDE MOLD FLASH, PROTRUSIONS OR GATE BURRS. MOLD FLASH, PROTRUSIONS OR GATE BURRS SHALL NOT EXCEED 0.006 mm PER SIDE. DIMENSION E1 DOES NOT INCLUDE INTERLEAD FLASH OR PROTRUSION. INTERLEAD FLASH OR PROTRUSION SHALL NOT EXCEED 0.010 mm PER SIDE.
5. THE PACKAGE TOP MAY BE SMALLER THAN THE PACKAGE BOTTOM. DIMENSIONS D AND E1 ARE DETERMINED AT THE OUTER-MOST EXTREMES OF THE PLASTIC BODY AT DATUM H.
6. DIMENSIONS A AND B ARE TO BE DETERMINED AT DATUM H.
7. DIMENSIONS b AND c APPLY TO THE FLAT SECTION OF THE LEAD BETWEEN 0.10 TO 0.25 FROM THE LEAD TIP.
8. A1 IS DEFINED AS THE VERTICAL DISTANCE FROM THE SEATING PLANE TO THE LOWEST POINT ON THE PACKAGE BODY.

| DIM | MILLIMETERS | |
|-----|-------------|------|
| | MIN | MAX |
| A | --- | 1.75 |
| A1 | 0.10 | 0.25 |
| A2 | 1.25 | --- |
| b | 0.31 | 0.51 |
| c | 0.10 | 0.25 |
| D | 4.90 BSC | |
| E | 6.00 BSC | |
| E1 | 3.90 BSC | |
| e | 1.27 BSC | |
| h | 0.25 | 0.41 |
| L | 0.40 | 1.27 |
| L2 | 0.25 BSC | |

RECOMMENDED SOLDERING FOOTPRINT*

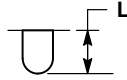
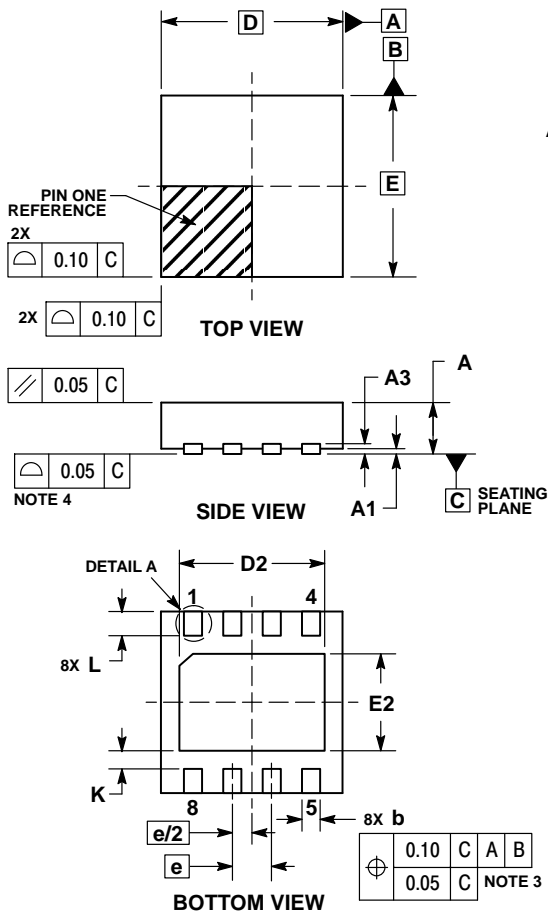


*For additional information on our Pb-Free strategy and soldering details, please download the ON Semiconductor Soldering and Mounting Techniques Reference Manual, SOLDERRM/D.

NCV7342

PACKAGE DIMENSIONS

DFN8, 3x3, 0.65P
CASE 506DG
ISSUE A



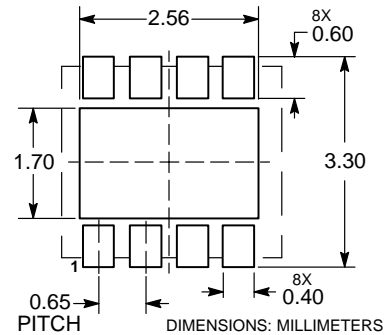
DETAIL A
ALTERNATE TERMINAL
CONSTRUCTION

NOTES:

1. DIMENSIONING AND TOLERANCING PER ASME Y14.5M, 1994.
2. CONTROLLING DIMENSION: MILLIMETERS.
3. DIMENSION b APPLIES TO PLATED TERMINAL AND IS MEASURED BETWEEN 0.15 AND 0.30mm FROM THE TERMINAL TIP.
4. COPLANARITY APPLIES TO THE EXPOSED PAD AS WELL AS THE TERMINALS.

| MILLIMETERS | | |
|-------------|------|------|
| DIM | MIN | MAX |
| A | 0.80 | 1.00 |
| A1 | 0.00 | 0.05 |
| A3 | 0.20 | REF |
| b | 0.25 | 0.35 |
| D | 3.00 | BSC |
| D2 | 2.30 | 2.50 |
| E | 3.00 | BSC |
| E2 | 1.50 | 1.70 |
| e | 0.65 | BSC |
| K | 0.30 | TYP |
| L | 0.35 | 0.45 |

**RECOMMENDED
SOLDERING FOOTPRINT***



*For additional information on our Pb-Free strategy and soldering details, please download the ON Semiconductor Soldering and Mounting Techniques Reference Manual, SOLDERRM/D.

ON Semiconductor and are trademarks of Semiconductor Components Industries, LLC dba ON Semiconductor or its subsidiaries in the United States and/or other countries. ON Semiconductor owns the rights to a number of patents, trademarks, copyrights, trade secrets, and other intellectual property. A listing of ON Semiconductor's product/patent coverage may be accessed at www.onsemi.com/site/pdf/Patent-Marketing.pdf. ON Semiconductor reserves the right to make changes without further notice to any products herein. ON Semiconductor makes no warranty, representation or guarantee regarding the suitability of its products for any particular purpose, nor does ON Semiconductor assume any liability arising out of the application or use of any product or circuit, and specifically disclaims any and all liability, including without limitation special, consequential or incidental damages. Buyer is responsible for its products and applications using ON Semiconductor products, including compliance with all laws, regulations and safety requirements or standards, regardless of any support or applications information provided by ON Semiconductor. "Typical" parameters which may be provided in ON Semiconductor data sheets and/or specifications can and do vary in different applications and actual performance may vary over time. All operating parameters, including "Typicals" must be validated for each customer application by customer's technical experts. ON Semiconductor does not convey any license under its patent rights nor the rights of others. ON Semiconductor products are not designed, intended, or authorized for use as a critical component in life support systems or any FDA Class 3 medical devices or medical devices with a same or similar classification in a foreign jurisdiction or any devices intended for implantation in the human body. Should Buyer purchase or use ON Semiconductor products for any such unintended or unauthorized application, Buyer shall indemnify and hold ON Semiconductor and its officers, employees, subsidiaries, affiliates, and distributors harmless against all claims, costs, damages, and expenses, and reasonable attorney fees arising out of, directly or indirectly, any claim of personal injury or death associated with such unintended or unauthorized use, even if such claim alleges that ON Semiconductor was negligent regarding the design or manufacture of the part. ON Semiconductor is an Equal Opportunity/Affirmative Action Employer. This literature is subject to all applicable copyright laws and is not for resale in any manner.

PUBLICATION ORDERING INFORMATION

LITERATURE FULFILLMENT:
Literature Distribution Center for ON Semiconductor
19521 E. 32nd Pkwy, Aurora, Colorado 80011 USA
Phone: 303-675-2175 or 800-344-3860 Toll Free USA/Canada
Fax: 303-675-2176 or 800-344-3867 Toll Free USA/Canada
Email: orderlit@onsemi.com

N. American Technical Support: 800-282-9855 Toll Free
USA/Canada
Europe, Middle East and Africa Technical Support:
Phone: 421 33 790 2910
Japan Customer Focus Center
Phone: 81-3-5817-1050

ON Semiconductor Website: www.onsemi.com
Order Literature: <http://www.onsemi.com/orderlit>
For additional information, please contact your local Sales Representative

Mouser Electronics

Authorized Distributor

Click to View Pricing, Inventory, Delivery & Lifecycle Information:

[ON Semiconductor:](#)

[NCV7342D10R2G](#) [NCV7342D13R2G](#)