

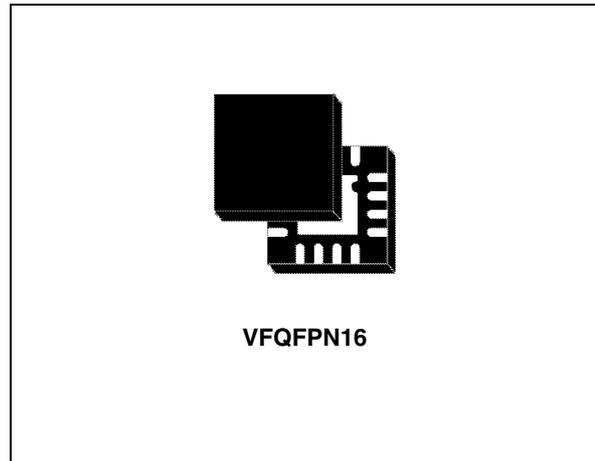


# L6924D

## Battery charger system with integrated power switch for Li-Ion/Li-Polymer

### Features

- Fully integrated solution, with a power MOSFET, reverse blocking diode, sense resistor, and thermal protection
- Ideal for coke and graphite anode single-cell  $L_1$ - $I_{ON}$  packs
- Both linear and quasi-pulse operation
- Closed loop thermal control
- USB BUS-compatible
- Programmable charge current up to 1 A
- Programmable pre-charge current
- Programmable end-of-charge current
- Programmable pre-charge voltage threshold
- Programmable charge timer
- Programmable output voltage at 4.1 V and 4.2 V, with  $\pm 1\%$  output voltage accuracy
- (NTC) or (PTC) thermistor interface for battery temperature monitoring and protection
- Flexible charge process termination
- Status outputs to drive LEDs or to interface with a host processor
- Small VFQFPN 16-leads package (3 x 3 mm)



### Applications

- PDAs
- Handheld devices
- Cellular phones
- Digital cameras
- Standalone chargers
- USB-powered chargers

**Table 1. Device summary**

Order code	Package	Packaging
L6924D	VFQFPN16	Tube
L6924D013TR		Tape and reel

# Contents

<b>1</b>	<b>Description</b> .....	<b>3</b>
<b>2</b>	<b>Pins description and connection diagrams</b> .....	<b>4</b>
2.1	Pin description .....	4
<b>3</b>	<b>Maximum ratings</b> .....	<b>6</b>
3.1	Absolute maximum ratings .....	6
3.2	Thermal data .....	6
<b>4</b>	<b>Electrical specifications</b> .....	<b>7</b>
4.1	Electrical characteristics .....	7
<b>5</b>	<b>Block diagram</b> .....	<b>9</b>
<b>6</b>	<b>Operation description</b> .....	<b>10</b>
6.1	Linear mode .....	11
6.2	Quasi-pulse mode .....	13
<b>7</b>	<b>Applications information: charging process</b> .....	<b>16</b>
7.1	Charging process flow chart .....	16
7.2	Pre-charge current .....	17
7.3	Pre-charge voltage .....	17
7.4	Fast charge current .....	18
7.5	End-of-charge current .....	19
7.6	Recharge flow chart .....	20
7.7	Recharge threshold .....	20
7.8	Maximum charging time .....	20
7.9	Termination modes .....	22
<b>8</b>	<b>Application information: monitoring and protection</b> .....	<b>23</b>
8.1	NTC thermistor .....	23
8.2	Battery absence detection .....	27
8.3	Status pins .....	27

---

8.4	Shutdown .....	28
<b>9</b>	<b>Additional applications information .....</b>	<b>30</b>
9.1	Selecting the input capacitor .....	30
9.2	Selecting the output capacitor .....	30
9.3	Layout guidelines and demonstration board description .....	30
<b>10</b>	<b>Application ideas .....</b>	<b>34</b>
10.1	USB battery charger .....	34
<b>11</b>	<b>Package mechanical data .....</b>	<b>35</b>
<b>12</b>	<b>Revision history .....</b>	<b>37</b>

# 1 Description

The L6924D is a fully monolithic battery charger dedicated to single-cell Li-Ion/Polymer battery packs. It is the ideal solution for space-limited applications, like PDAs, handheld equipment, cellular phones, and digital cameras. It integrates all of the power elements (the power MOSFET, reverse blocking diode and the sense resistor) in a small VFQFPN16 (3 x 3 mm) package. When an external voltage regulated wall adapter is used, the L6924D works in Linear Mode, and charges the battery in a constant current/constant voltage (CC/CV) profile. Moreover, when a current-limited adapter is used, the device can operate in quasi-pulse mode, dramatically reducing the power dissipation. Regardless of the charging approach, a closed loop thermal control avoids device overheating. The device has an operating input voltage ranging from 2.5 V to 12 V. The L6924D allows the user to program many parameters, such as pre-charge current, fast-charge current, pre-charge voltage threshold, end-of-charge current threshold, and charge timer. The L6924D offers two open collector outputs for diagnostic purposes, which can be used to either drive two external LEDs or communicate with a host microcontroller. Finally, the L6924D also provides very flexible control of the charge process termination and Gas Gauge capability, as well as other functions, such as checking for battery presence, and monitoring and protecting the battery from unsafe thermal conditions.

Figure 1. Minimum application size

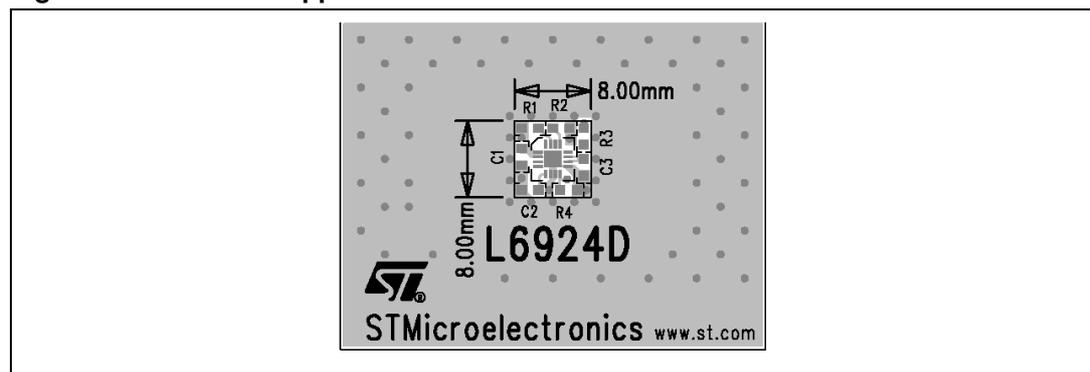
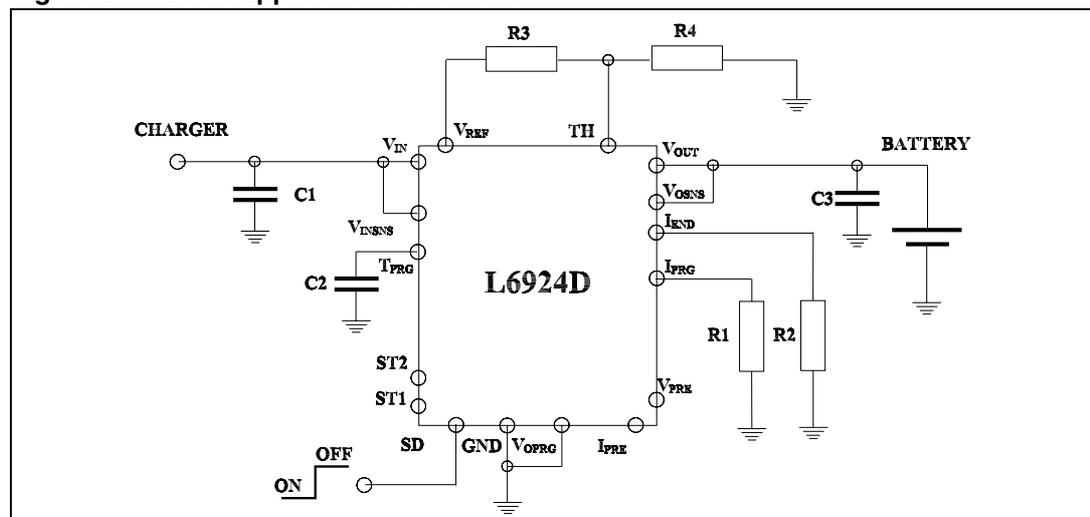
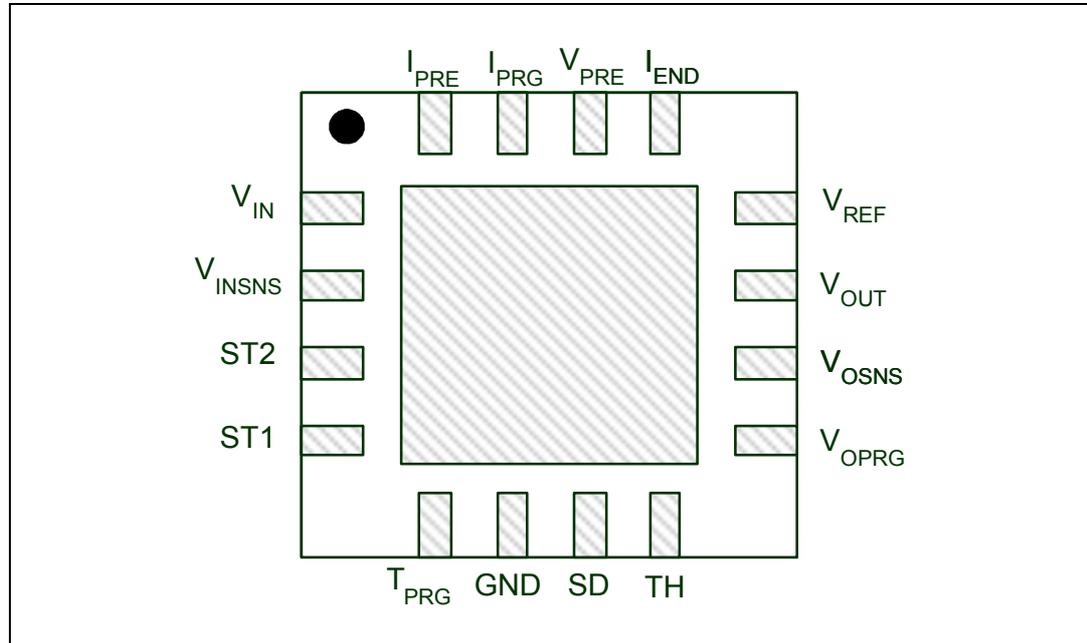


Figure 2. Basis application schematic



## 2 Pins description and connection diagrams

Figure 3. Pins connection (top view)



### 2.1 Pin description

Table 2. Pin functions

Pin	I/O	Name	Pin description
1	I	$V_{IN}$	Input pin of the power stage.
2	I	$V_{INSNS}$	Supply voltage pin of the signal circuitry. The operating input voltage ranges from 2.5 V to 12 V and the start-up threshold is 4 V.
3-4	O	$ST_2$ - $ST_1$	Open-collector status pins.
5	I	$T_{PRG}$	Maximum charging time program pin. It must be connected with a capacitor to GND to fix the maximum charging time, see <a href="#">Chapter 7.8: Maximum charging time on page 20</a>
6	-	GND	Ground pin.
7	I	SD	Shutdown pin. When connected to GND enables the device; when floating disables the device.
8	I	TH	Temperature monitor pin. It must be connected to a resistor divider including an NTC or PTC resistor. The charge process is disabled if the battery temperature (sensed through the NTC or PTC) is out of the programmable temperature window see <a href="#">Chapter 8.1: NTC thermistor on page 23</a> .
9	I	$V_{OPRG}$	Output voltage selection pin. $V_{OUT} = 4.1$ V if left floating. $V_{OUT} = 4.2$ V if connected to GND.
10	I	$V_{OSNS}$	Output voltage sense pin. It senses the battery voltage to control the voltage regulation loop.
11	O	$V_{OUT}$	Output pin. (connected to the battery)

**Table 2. Pin functions**

12	O	V <sub>REF</sub>	External reference voltage pin.(reference voltage is 1.8 V±2%)
13	I/O	I <sub>END</sub>	Charge termination pin. A resistor connected from this pin to GND fixes the charge termination current threshold I <sub>ENDTH</sub> : if I < I <sub>ENDTH</sub> , the charger behaves according to the V <sub>PRE</sub> status (see <a href="#">Chapter 7.5: End-of-charge current on page 19</a> ). The voltage across the resistor is proportional to the current delivered to the battery (Gas Gauge function).
14	I	V <sub>PRE</sub>	Multifunction pin. A resistor connected to GND allows the user to adjust the pre-charge voltage threshold V <sub>PRETH</sub> . If the pin is floating, V <sub>PRETH</sub> = 2.8 V. If the voltage on V <sub>PRE</sub> pin is lower than 0.8 V, V <sub>PRETH</sub> = 2.8 V and the charge is not automatically terminated when I < I <sub>ENDTH</sub> . If the voltage on V <sub>PRE</sub> goes lower than 0.5 V (edge sensitive), the maximum charging time is reset.
15	I	I <sub>PRG</sub>	Charge current program pin. A resistor connected from this pin to GND, fixes the fast charge current value (I <sub>CHG</sub> ), with an accuracy of 7%.
16	I	I <sub>PRE</sub>	Pre-charge current program pin. If the pin is floating I <sub>PRETH</sub> is equal to 10% of I <sub>CHG</sub> . If I <sub>PRETH</sub> has to be programmed at a different value, the pin has to be connected to GND or V <sub>REF</sub> through a resistor see <a href="#">Chapter 7.2: Pre-charge current on page 17</a> .

### 3 Maximum ratings

Stressing the device above the rating listed in the “absolute maximum ratings” table may cause permanent damage to the device. These are stress ratings only and operation of the device at these or any other conditions above those indicated in the operating sections of this specification is not implied. Exposure to absolute maximum rating conditions for extended periods may affect device reliability.

#### 3.1 Absolute maximum ratings

**Table 3. Absolute maximum ratings**

Symbol	Parameter	Value	Unit
$V_{IN}$	Input voltage	-0.3 to 16	V
$V_{INSNS}$ , SD	Input voltage	-0.3 to $V_{IN}$	V
$V_{OUT}$ , $V_{OSNS}$	Output voltage	-0.3 to 5	V
ST1, ST2	Output voltage	-0.3 to 6	V
	Output current	30	mA
$V_{REF}$ , TH, $I_{END}$ , $I_{PRG}$ , $V_{PRE}$ , $I_{PRE}$ , $V_{OPRG}$ , $T_{PRG}$ , GND		-0.3 to 4	V
ST1 and TH pins	Maximum withstanding voltage range test condition: CDFAEC-Q100-002 (Normal “human body model” acceptance criteria performance)	±1.5	kV
Other pins		±2	kV

#### 3.2 Thermal data

**Table 4. Thermal data**

Symbol	Parameter	Value	Unit
$R_{thJA}$	Thermal resistance junction to ambient <sup>(1)</sup>	75	°C/W
$T_{STG}$	Storage temperature range	-55 to 150	°C
$T_J$	Junction temperature range	-40 to 125	°C
$P_{TOT}$	Power dissipation at T= 70 °C	TBD	W

1. Device mounted on demonstration board

## 4 Electrical specifications

### 4.1 Electrical characteristics

$T_J = 25\text{ }^\circ\text{C}$ ,  $V_{IN} = 5\text{ V}$ , unless otherwise specified.

**Table 5. Electrical characteristics**

Symbol	Parameter	Test condition	Min	Typ	Max	Unit
$V_{IN}^{(1)}$	Operating input voltage		2.5		12	V
	Start up threshold				4.1	V
$I_{IN}^{(1)}$	Supply current	Charging mode ( $R_{PRG} = 24\text{k}\Omega$ )		1.8	2.5	mA
		Shutdown mode ( $R_{PRG} = 24\text{k}\Omega$ )		60	80	$\mu\text{A}$
$I_{SINK}$	Current flowing from $V_{OUT}$	Shutdown mode ( $R_{PRG} = 24\text{k}\Omega$ )			500	nA
		Stand by mode ( $R_{PRG} = 24\text{k}\Omega$ ) ( $V_{IN} = 2.5\text{V} < V_{BATTERY}$ )			500	nA
$V_{OUT}^{(1)}$	Battery regulated voltage	$V_{OPRG}$ at $V_{IN}$	4.06	4.1	4.14	V
		$V_{OPRG}$ at GND	4.16	4.2	4.24	V
$I_{CHG}$	Charge current	$R_{PRG} = 24\text{k}\Omega$	450	490	525	mA
		$R_{PRG} = 12\text{k}\Omega$	905	975	1045	mA
$I_{PRECH}$	Pre-Charge current [default value = 10% $I_{CHG}$ ]	$I_{PRE}$ floating $R_{PRG} = 24\text{k}\Omega$	41	49	56	mA
$I_{PRECH}$	Pre-Charge current	$R_{PRE} = 62\text{k}\Omega$ to GND; $R_{PRG} = 24\text{k}\Omega$	57	67	78	mA
$I_{PRECH}$	Pre-Charge current	$R_{PRE} = 39\text{k}\Omega$ to $V_{REF}$ ; $R_{PRG} = 24\text{k}\Omega$	29.5	35	40.1	mA
$V_{PRETH}$	Pre-Charge voltage threshold [default]	$V_{PRE} = V_{PRETH}$ Default = Floating	2.7	2.8	2.9	V
$V_{PRETH}$	Pre-Charge voltage threshold	$R_{VPRE} = 13\text{k}\Omega$ ; $R_{PRG} = 12\text{k}\Omega$	2.87	3.03	3.19	V
$V_{PRETH}$	Pre-Charge voltage threshold [default]. Charge termination disabled		2.7	2.8	2.9	V
$I_{ENDTH}$	Termination current	$R_{END} = 3\text{K}3$	12	16	20	mA
$T_{MAXCH}^{(2)}$	Maximum charging time	$C_{TPRG} = 10\text{nF}$ $R[ _{PRG}] = 24\text{k}\Omega$		3		hours
$T_{MAXCH}^{(2)}$ (2)	Maximum charging time accuracy	$C_{TPRG} = 5.6\text{nF}$ $R_{PRG} = 24\text{k}\Omega$		10%		
$SD_{TH}$	Shutdown threshold high				2	V
	Shutdown threshold low		0.4			V
$ST_{1,2}$	Output status sink current	Status on		10		mA
$R_{DS(on)}$	Power MOSFET resistance	$R_{DS(on)}$ @ $I_{CHG} = 500\text{mA}$		280	380	$\text{m}\Omega$

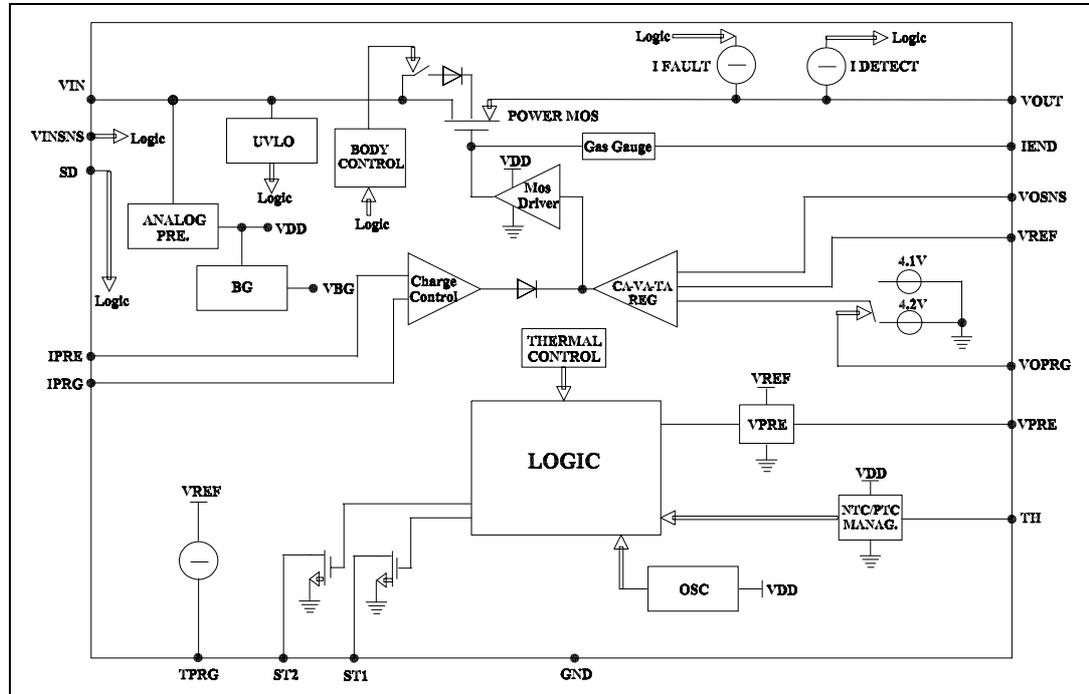
**Table 5. Electrical characteristics (continued)**

Symbol	Parameter	Test condition	Min	Typ	Max	Unit
TH	NTC pin hot threshold voltage		10.625	12.5	14.375	%V <sub>REF</sub>
	NTC pin cold threshold voltage		45	50	55	%V <sub>REF</sub>

1. T<sub>J</sub> from -40°C to 125°C.
2. Guaranteed by design.

# 5 Block diagram

Figure 4. Block diagram



## 6 Operation description

The L6924D is a fully integrated battery charger that allows a very compact battery management system for space limited applications. It integrates in a small package, all the power elements: power MOSFET, reverse blocking diode and the sense resistor.

It normally works as a linear charger when powered from an external voltage regulated adapter. However, thanks to its very low minimum input voltage (down to 2.5 V) the L6924D can also work as a Quasi-Pulse charger when powered from a current limited adapter. To work in this condition, is enough to set the device's charging current higher than the adapter's one ([Chapter 7.4 on page 18](#)). The advantage of the linear charging approach is that the device has a direct control of the charging current and so the designer needn't to rely on the upstream adapter. However, the advantage of the Quasi-Pulse approach is that the power dissipated inside the portable equipment is dramatically reduced.

The L6924D charges the battery in three phases:

- **Pre-Charge constant current:** in this phase (active when the battery is deeply discharged) the battery is charged with a low current.
- **Fast-Charge constant current:** in this phase the device charges the battery with the maximum current.
- **Constant Voltage:** when the battery voltage reaches the selected output voltage, the device starts to reduce the current, until the charge termination is done.

The full flexibility is provided by:

- Programmable pre-charging current and voltage thresholds ( $I_{PRETH}$  and  $V_{PRETH}$ ) ([Chapter 7.2 on page 17](#), [Chapter 7.3 on page 17](#)).
- Programmable fast-charging current ( $I_{CHG}$ ) ([Chapter 7.4 on page 18](#)).
- Programmable end of charge current threshold ( $I_{ENDTH}$ ) ([Chapter 7.5 on page 19](#)).
- Programmable end of charge timer ( $T_{MAXCH}$ ) ([Chapter 7.8 on page 20](#)).

If the full flexibility is not required and a smaller number of external components is preferred, default values of  $I_{PRETH}$  and  $V_{PRETH}$  are available leaving the respective pins floating.

- If a PTC or NTC resistor is used, the device can monitor the battery temperature in order to protect the battery from operating in unsafe thermal conditions.
- Beside the good thermal behavior guaranteed by low thermal resistance of the package, additional safety is provided by the built-in temperature control loop. The IC monitors continuously its junction temperature. When the temperature reaches approximately 120°C, the thermal control loop starts working, and reduces the charging current, in order to keep the IC junction temperature at 120°C.
- Two open collector outputs are available for diagnostic purpose (status pins ST1 and ST2). They can be also used to drive external LEDs or to interface with a microcontroller.

The voltage across the resistor connected between  $I_{END}$  and GND gives information about the actual charging current (working as a Gas Gauge), and it can be easily fed into a  $\mu\text{C}$  ADC.

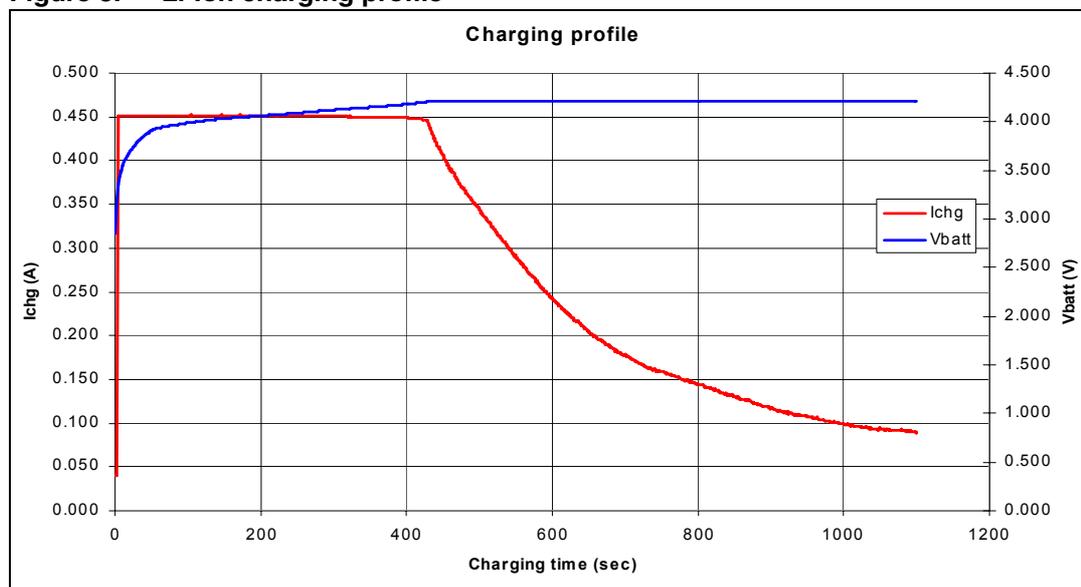
When the  $V_{PRE}$  pin is not used to program the Pre-Charge voltage threshold, it has two different functions:

- If the voltage across  $V_{PRE}$  pin is lower than 0.8 V, when  $I < I_{ENDTH}$ , the end of charge is notified by the status pin, but the charging process is not disabled. The charge process ends when the maximum charging time expires.
- If the voltage at  $V_{PRE}$  pin false under 0.5 V the timer is reset on the falling edge.

Battery disconnection control is provided thanks to the differentiated sensing and forcing output pins. A small current is sunk and forced through  $V_{OUT}$ . If  $V_{OSNS}$  doesn't detect the battery, the IC goes into a standby mode.

Figure 5 shows the real charging profile of a Li-Ion battery, with a fast charge current of 450 mA ( $R_{PRG} = 26\text{ k}\Omega$ ),

**Figure 5. Li-Ion charging profile**



## 6.1 Linear mode

When operating in linear mode, the device works in a way similar to a linear regulator with a constant current limit protection.

It charges the battery in three phases:

- Pre-charging current (“Pre-Charge” phase).
- Constant current (“Fast-Charge” phase).
- Constant voltage (“Voltage Regulation” phase).

$V_{ADP}$  is the output voltage of the upstream AC-DC adapter that is, in turn, the input voltage of the L6924D. If the battery voltage is lower than a set pre-charge voltage ( $V_{PRETH}$ ), the pre-charge phase takes place. The battery is pre-charged with a low current  $I_{PRE}$  ([Chapter 7.2 on page 17](#)).

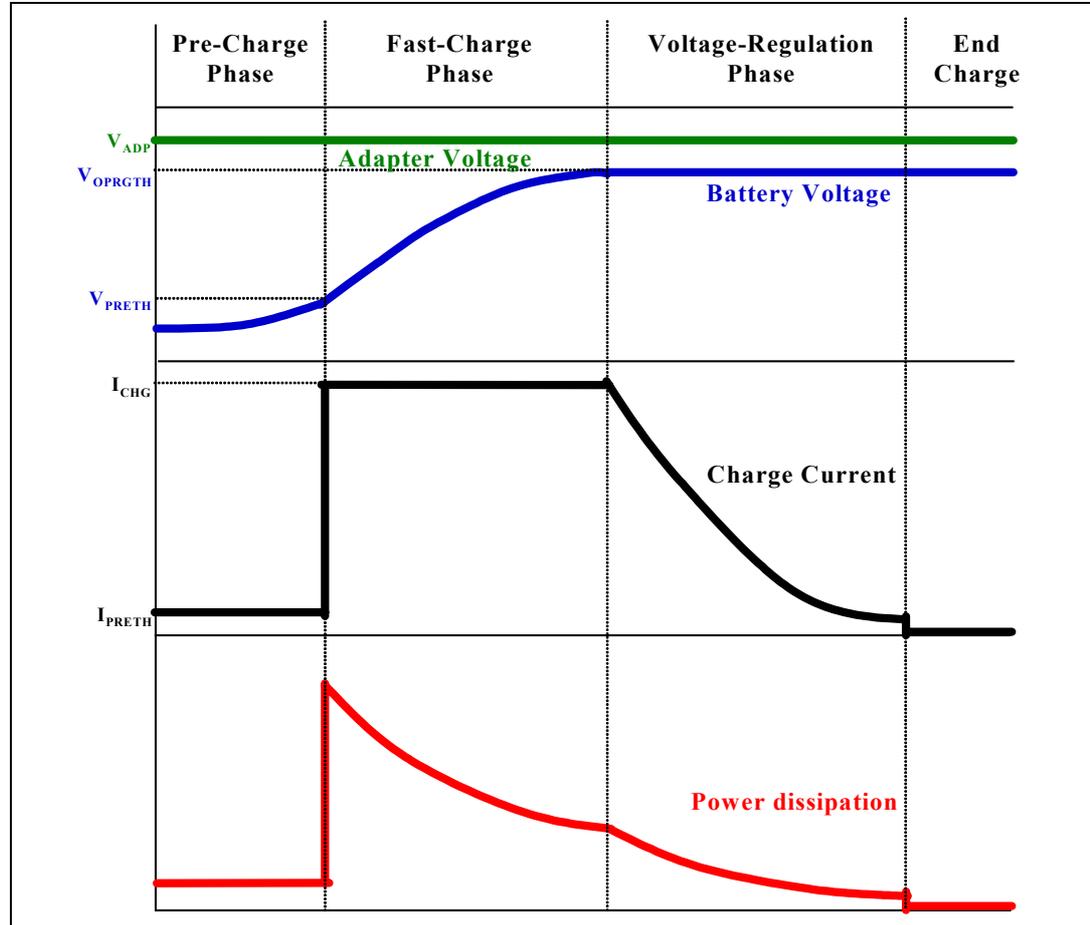
When the battery voltage goes higher than  $V_{PRETH}$ , the battery is charged with the fast charge current  $I_{CHG}$ , set through an external resistor ([Chapter 7.4 on page 18](#)).

Finally, when the battery voltage is close to the regulated output voltage  $V_{OPRGTH}$  (4.1 V or 4.2 V), the voltage regulation phase takes place and the charging current is reduced. The

charging process is usually terminated when the charging current reaches a set value or when a charging timer expires ([Chapter 7.9 on page 22](#)).

[Figure 6](#) shows the different phases.

**Figure 6. Typical charge curves in linear mode**



The worst case in power dissipation occurs when the device starts the fast-charge phase. In fact, the battery voltage is at its minimum value. In this case, this is the maximum difference between the adapter voltage and battery voltage, and the charge current is at its maximum value.

The power dissipated is given by the following equation:

**Equation 1**

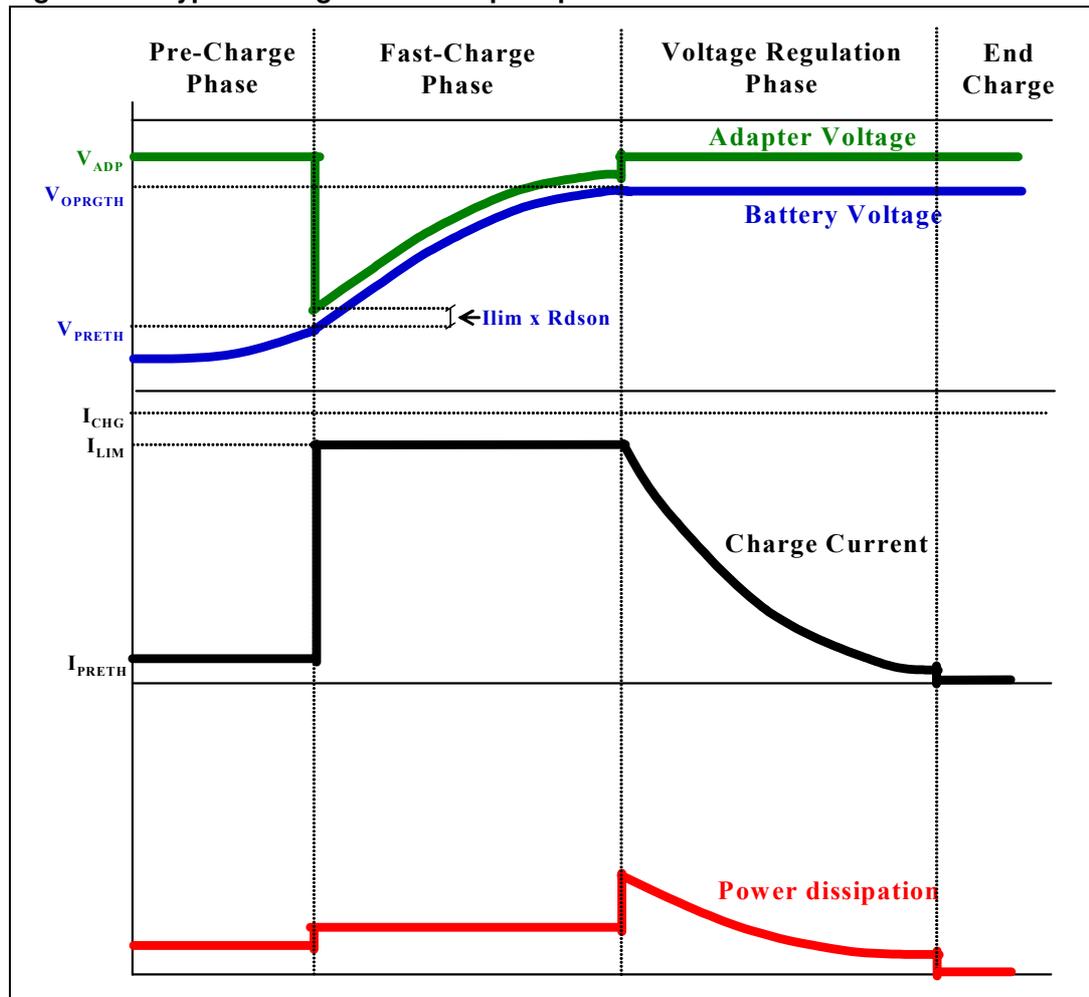
$$P_{DIS} = (V_{ADP} - V_{BAT}) \times I_{CHG}$$

The higher the adapter voltage is, the higher the power dissipated. The maximum power dissipated depends on the thermal impedance of the device mounted on board.

## 6.2 Quasi-pulse mode

The quasi-pulse mode can be used when the system can rely on the current limit of the upstream adapter to charge the battery. In this case,  $I_{CHG}$  must be set higher than the current limit of the adapter. In this mode, the L6924D charges the battery with the same three phases as in linear mode, but the power dissipation is greatly reduced as shown in [Figure 7](#).

**Figure 7. Typical charge curves in quasi pulse mode**



The big difference is due to the fact that  $I_{CHG}$  is higher than the current limit of the adapter. During the fast-charge phase, the output voltage of the adapter drops and goes down to the battery voltage plus the voltage drop across the power MOSFET of the charger, as shown in the following equation:

**Equation 2**

$$V_{IN} = V_{ADP} = V_{BAT} + \Delta V_{MOS}$$

Where  $\Delta V_{MOS}$  is given by:

**Equation 3**

$$\Delta V_{MOS} = R_{DS(ON)} \times I_{LIM}$$

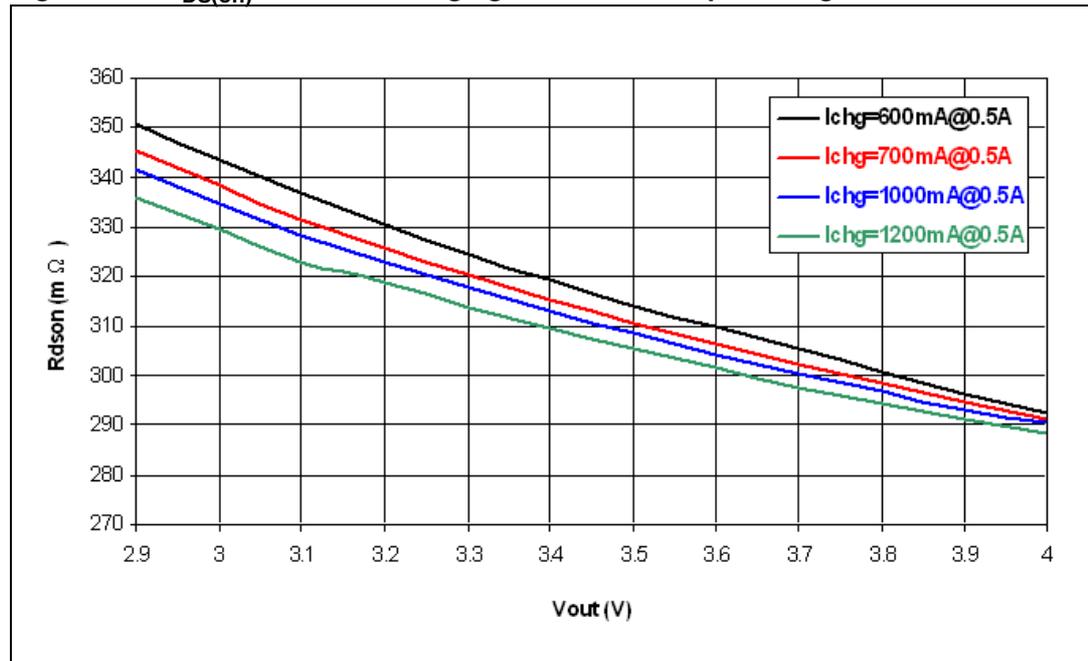
Where,

$I_{LIM}$  = current limit of the wall adapter, and  $R_{DS(on)}$  = resistance of the power MOSFET.

The difference between the set charge current and the adapter limit should be high enough to minimize the  $R_{DS(on)}$  value (and the power dissipation). This makes the control loop completely unbalanced and the power element is fully turned on.

Figure 8 shows the  $R_{DS(on)}$  values for different output voltage and charging currents for an adapter current limit of 500 mA.

**Figure 8.  $R_{DS(on)}$  curves vs charging current and output voltage**



Neglecting the voltage drop across the charger ( $\Delta V_{MOS}$ ) when the device operates in this condition, its input voltage is equal to the battery one, and so a very low operating input voltage (down to 2.5 V) is required. The power dissipated by the device during this phase is:

#### Equation 4

$$P_{CH} = R_{DS(on)} \times I_{LIM}^2$$

When the battery voltage approaches the final value, the charger gets back the control of the current, reducing it. Due to this, the upstream adapter exits the current limit condition and its output goes up to the regulated voltage  $V_{ADP}$ . This is the worst case in power dissipation:

#### Equation 5

$$P_{DIS} = (V_{ADP} - V_{BAT}) \times I_{LIM}$$

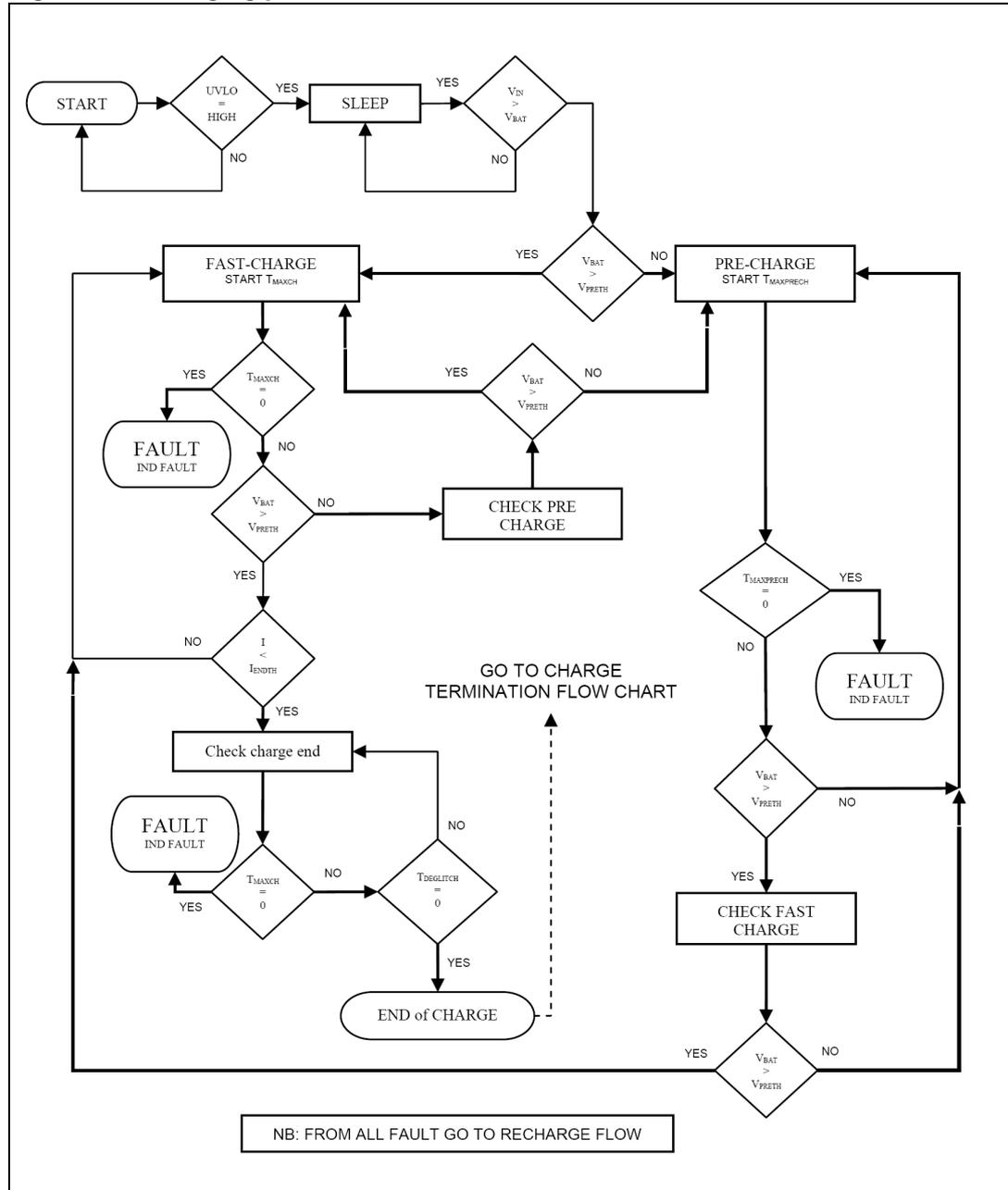
In conclusion, the advantage of the linear charging approach is that the designer has the direct control of the charge current, and consequently the application can be very simple. The drawback is the high power dissipation.

The advantage of the Quasi-Pulse charging method is that the power dissipated is dramatically reduced. The drawback is that a dedicated upstream adapter is required.

# 7 Applications information: charging process

## 7.1 Charging process flow chart

Figure 9. Charging process flow chart



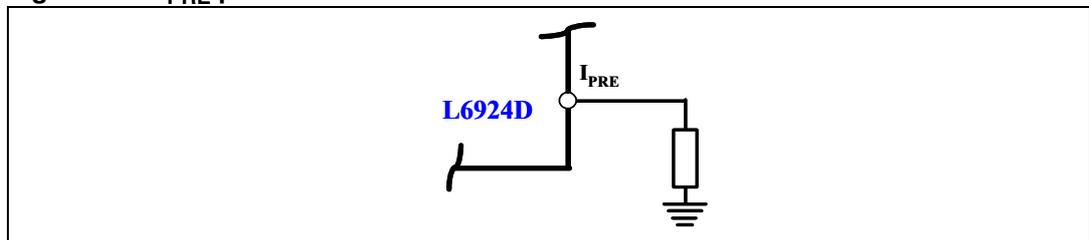
## 7.2 Pre-charge current

The L6924D allows pre-charging the battery with a low current when the battery voltage is lower than a specified threshold ( $V_{PRETH}$ ). The Pre-charge current has a default value equal to 10% of the fast-charge current. However it can be adjusted by connecting a resistor from the  $I_{PRE}$  pin to GND or  $V_{REF}$  (see [Figure 10](#)). When the resistor is connected between  $I_{PRE}$  pin and GND, the current is higher than the default value. The  $R_{PRE}$  value is given by:

**Equation 6**

$$R_{PRE} = \frac{V_{BG}}{\frac{I_{PRECH}}{K_{PRE}} - \frac{V_{BG}}{R_{PRG}}}$$

**Figure 10.  $I_{PRE}$  pin connection**



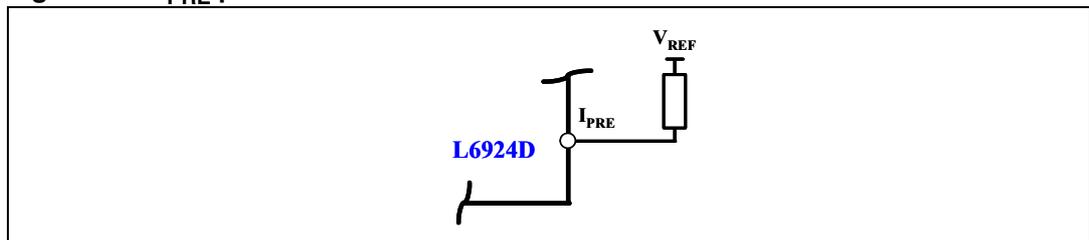
When  $R_{PRE}$  is connected to  $V_{REF}$  the current is lower than the default value.  $V_{REF}$  is the external reference equal to 1.8 V,  $V_{BG}$  is the internal reference equal to 1.23 V and  $K_{PRE}$  is a constant equal to 950. See [Figure 11](#).

The relationship is shown in the equation 7:

**Equation 7**

$$R_{PRE} = \frac{V_{REF} - V_{BG}}{\frac{V_{BG}}{R_{PRG}} - \frac{I_{PRECH}}{K_{PRE}}}$$

**Figure 11.  $I_{PRE}$  pin connection**

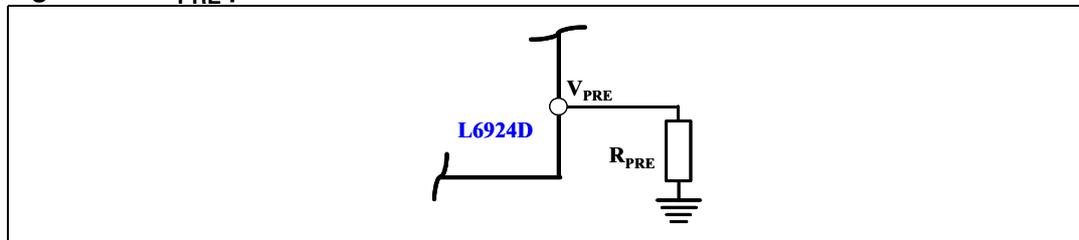


## 7.3 Pre-charge voltage

If the  $V_{PRE}$  pin is floating, a default value of  $V_{PRETH}$  is set, equal to 2.8 V ( $V_{PRETHDefault}$ ). Otherwise, the device offers the possibility to program this value, with a resistor connected between the  $V_{PRE}$  pin and GND (see [Figure 12](#)). In this case, the  $R_{VPRE}$  is given by the equation 8:

## Equation 8

$$R_{V_{PRE}} = R_{PRG} \times \left( \frac{V_{PRETH}}{V_{PRETH_{default}}} \right)$$

Figure 12.  $V_{PRE}$  pin connection

Where  $R_{V_{PRE}}$  is the resistor between  $V_{PRE}$  and GND, and  $R_{PRG}$  is the resistor used to set the charge current (see [Section 7.4: Fast charge current](#)), and  $V_{PRETH}$  is the selected threshold.

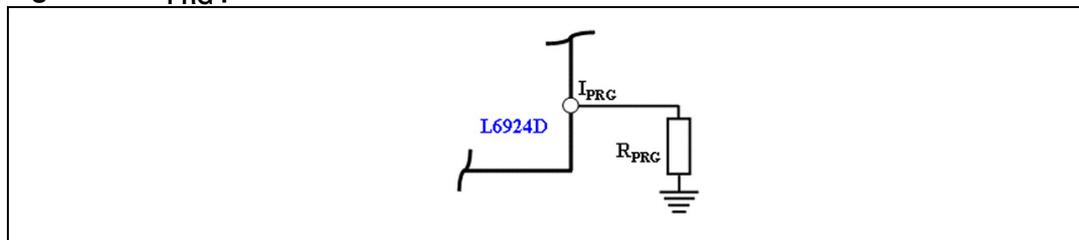
A safety timer is also present. If the battery voltage doesn't rise over  $V_{PRETH}$ , before this time is expired, a fault is given (see [Section 7.8: Maximum charging time](#)). If at the beginning of the charge process, the battery voltage is higher than the  $V_{PRETH}$ , the Pre-Charge phase is skipped.

## 7.4 Fast charge current

When the battery voltage reaches the Pre-charge voltage threshold ( $V_{PRETH}$ ), the L6924D starts the Fast-charge Phase. In this phase, the device charges the battery with a constant current,  $I_{CHG}$ , programmable by an external resistor that sets the charge current with an accuracy of 7% [Figure 13](#). The equation used to select the  $R_{PRG}$  as follows:

## Equation 9

$$R_{PRG} = V_{BG} \times \left( \frac{K_{PRG}}{I_{CHG}} \right)$$

Figure 13.  $I_{PRG}$  pin connection

Where  $K_{PRG}$  is a constant, equal to 9500.

During this phase, the battery voltage increases until it reaches the programmed output voltage. A safety timer is also present. If this time expires, a fault is given ([Section 7.8: Maximum charging time](#)).

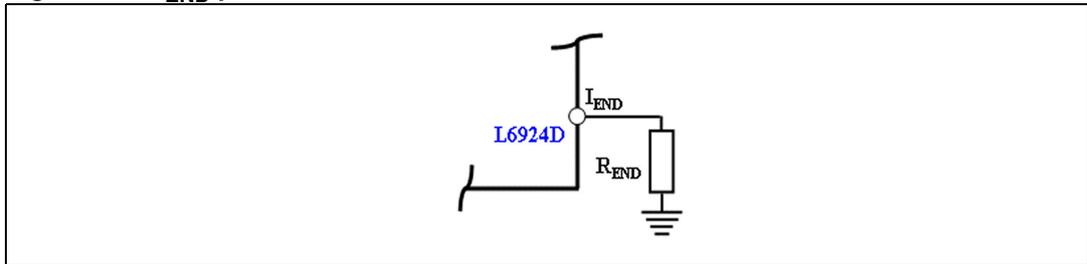
## 7.5 End-of-charge current

When the charge voltage approaches the selected value (4.1 V or 4.2 V), the voltage regulation phase takes place. The charge current starts to decrease until it goes lower than a programmable end value,  $I_{ENDTH}$ , depending on an external resistor connected between the  $I_{END}$  pin and GND (see [Figure 14](#)). The equation that describes this relation as follows:

### Equation 10

$$R_{END} = V_{MIN} \times \left( \frac{K_{END}}{I_{ENDTH}} \right)$$

**Figure 14.**  $I_{END}$  pin connection



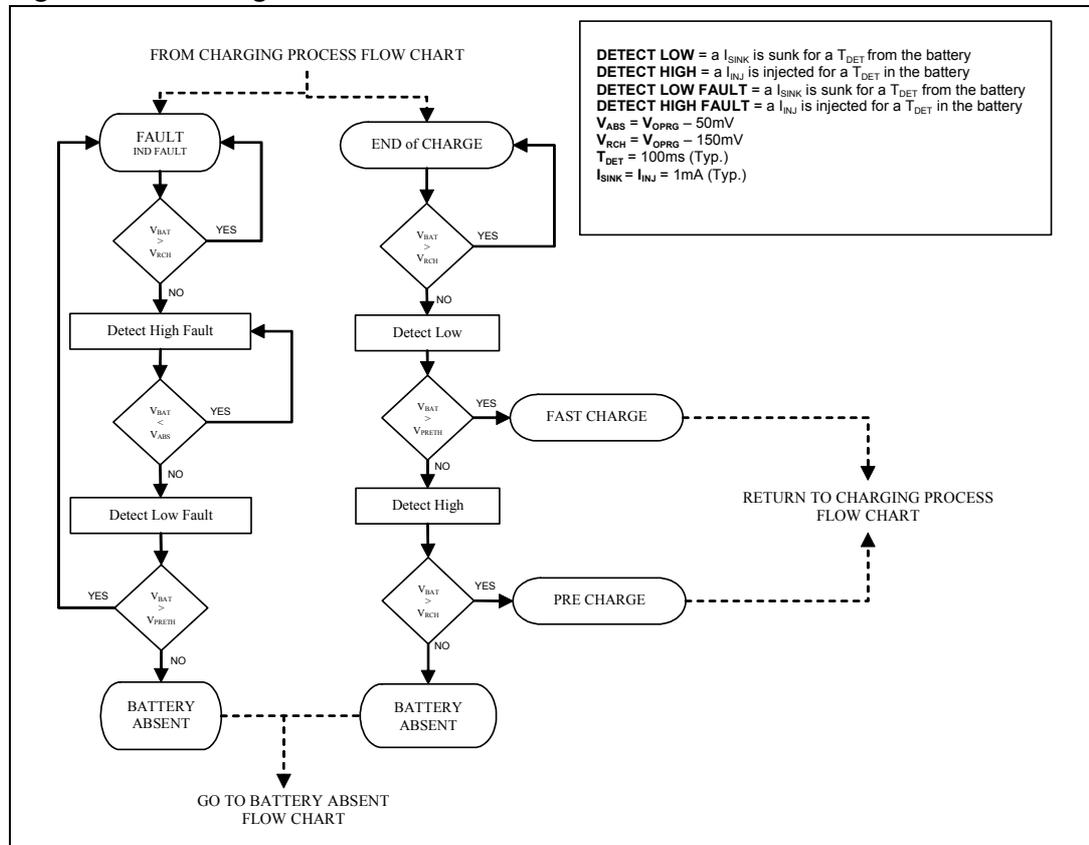
Where  $K_{END}$  is 1050; and  $V_{MIN}$  is 50 mV.

Typically, this current level is used to terminate the charge process. However, it is also possible to disable the charge termination process based on this current level ([Chapter 7.9 on page 22](#)).

This pin is also used to monitor the charge current, because the current injected in  $R_{END}$  is proportional to  $I_{CHG}$ . The voltage across  $R_{END}$  can be used by a microcontroller to check the charge status like a gas gauge.

## 7.6 Recharge flow chart

Figure 15. Recharge flow chart



## 7.7 Recharge threshold

When, from an end-of-charge condition, the battery voltage goes lower than the recharging threshold ( $V_{RCH}$ ), the device goes back in charging state. The value of the recharge threshold is  $V_{OPRG} - 150$  mV.

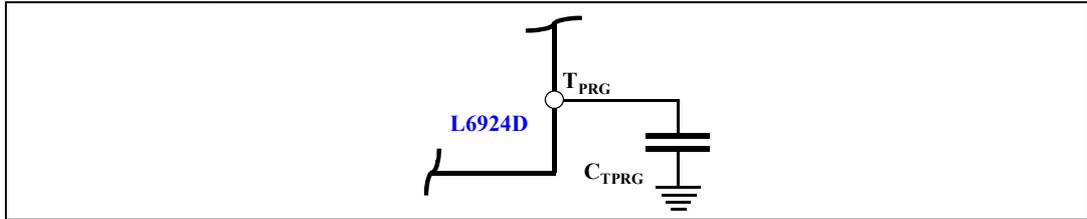
## 7.8 Maximum charging time

To avoid the charging of a dead battery for a long time, the L6924D has the possibility to set a maximum charging time starting from the beginning of the fast-charge phase. This timer can be set with a capacitor, connected between the  $T_{PRG}$  pin and GND. The  $C_{TPRG}$  is the external capacitor (in nF) and is given by the following equation:

Equation 11

$$C_{TPRG} = \left( \frac{T_{MAXCH} \times \frac{V_{BG}}{R_{PRG}}}{K_T \times V_{REF}} \right) \times 10^9$$

Note: The maximum recommended  $C_{TPRG}$  value must be less than 50 nF.

**Figure 16. T<sub>PRG</sub> pin connection**

Where,

$$V_{REF} = 1.8V,$$

$$K_T = 279 \times 10^5,$$

$$V_{BG} = 1.23V, \text{ and}$$

T<sub>MAXCH</sub> is the charging time given in seconds.

If the battery does not reach the end-of-charge condition before the timer expires, a fault is issued.

Also during the pre-charge phase there is a safety timer, given by:

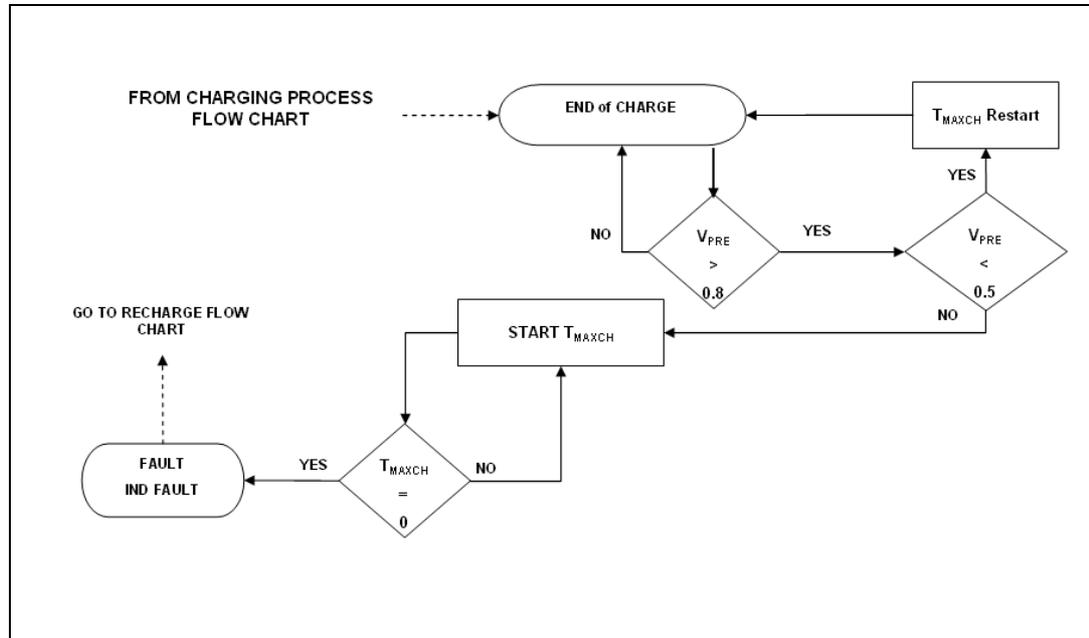
**Equation 12**

$$T_{MAXPRECH} = \frac{1}{8} \times T_{MAXCH}$$

If this timer expires and the battery voltage is still lower than V<sub>PRETH</sub>, a fault signal is generated, and the charge process is terminated.

## 7.9 Termination modes

Figure 17. Charge termination flow chart



As shown in [Figure 14](#), it is possible to set an end of charge current  $I_{ENDTH}$  connecting a resistor between the  $I_{END}$  pin and GND. When the charge current goes down to this value, after a de-glitch time, the status pins notify that the charge process is complete. This de-glitch time is expressed as:

### Equation 13

$$T_{DEGLITCH} = \frac{T_{MAXCH}}{220}$$

However, the termination of the charger process depends on the status of the  $V_{PRE}$  pin:

- If the voltage at the  $V_{PRE}$  pin is higher than 0.8 V, the charge process is actually terminated when the charge current reaches  $I_{ENDTH}$ .
- If the voltage at  $V_{PRE}$  pin goes lower than 0.8 V, the charge process does not terminate, and the charge current can go lower than  $I_{ENDTH}$ . The status pins notify the end-of-charge as a fault condition, but the device continues the charge. When the  $T_{MAXCH}$  is elapsed, the charge process ends, and a fault condition is issued.
- If the voltage on  $V_{PRE}$  pin is lower than 0.8 V during the Pre-charge Phase, the device sets the  $V_{PRETHDefault}$  automatically.
- If the voltage at the  $V_{PRE}$  pin goes lower than 0.5 V (edge sensitive), the timer is reset, both in pre-charge and in fast-charge phase.

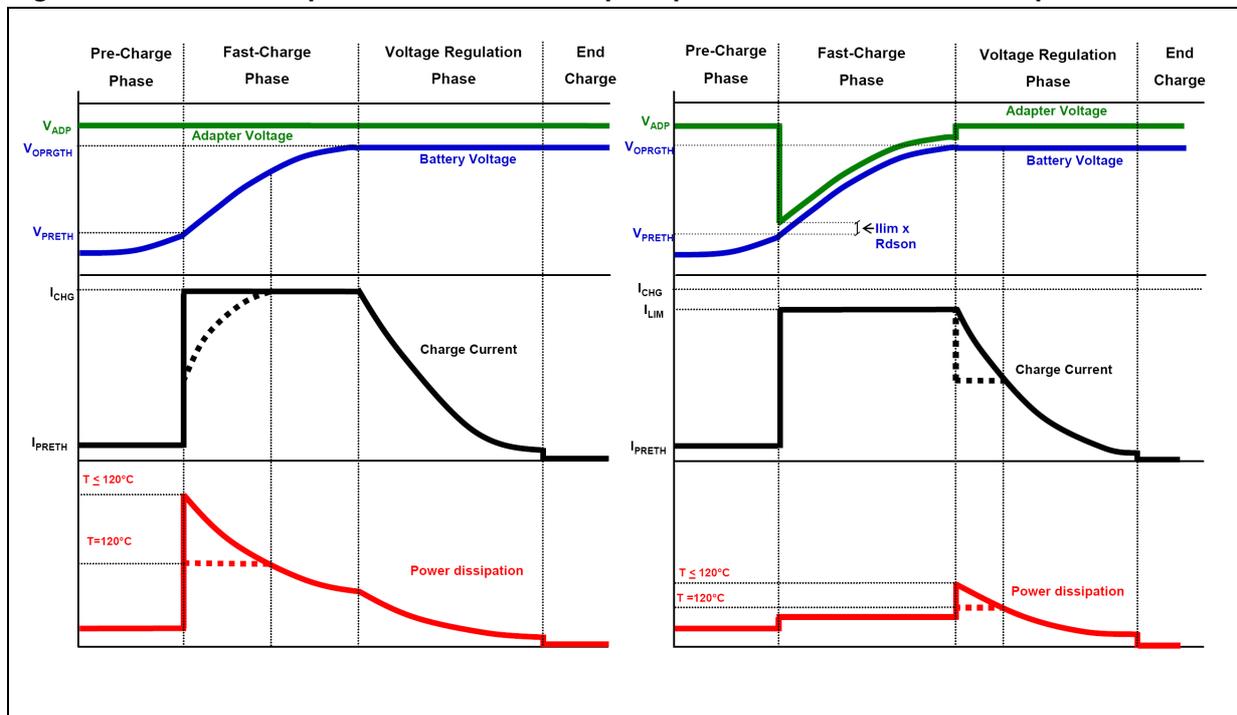
## 8 Application information: monitoring and protection

The L6924D uses a VFQFPN 3 mm x 3 mm 16-pin package with an exposed pad that allows the user to have a compact application and good thermal behavior at the same time. The L6924D has a low thermal resistance because of the exposed pad (approximately 75°C/W, depending on the board characteristics). Moreover, a built-in thermal protection feature prevents the L6924D from having thermal issues typically present in a linear charger.

Thermal control is implemented with a thermal loop that reduces the charge current automatically when the junction temperature reaches approximately 120 °C. This avoids further temperature rise and keeps the junction temperature constant. This simplifies the thermal design of the application as well as protects the device against over-temperature damage.

The [Figure 18](#) shows how the thermal loop acts (with the dotted lines), when the junction temperature reaches 120°C.

**Figure 18. Power dissipation both linear and quasi pulse mode with thermal loop**

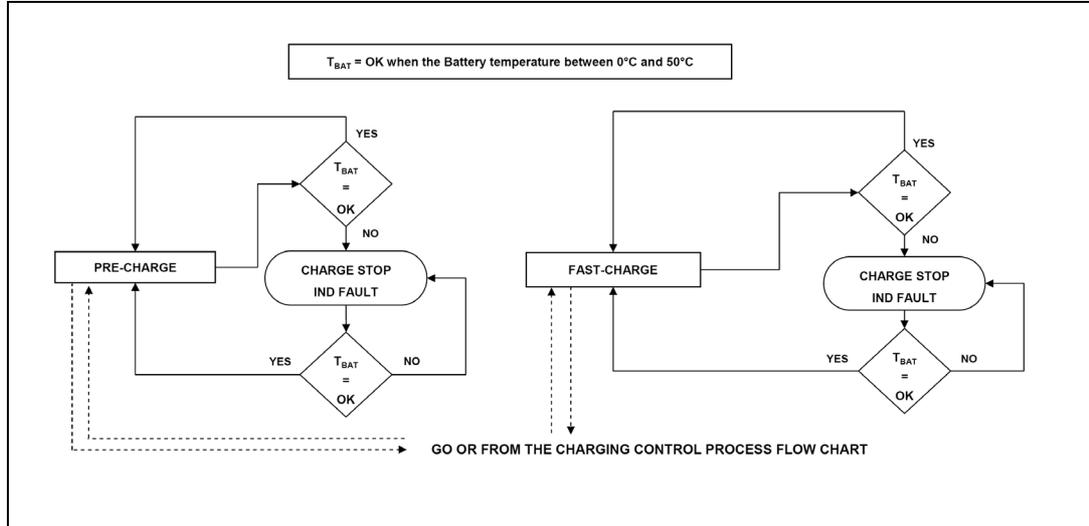


### 8.1 NTC thermistor

The device allows designers to monitor the battery temperature by measuring the voltage across an NTC or PTC resistor. Li-Ion batteries have a narrow range of operating temperature, usually from 0°C to 50 °C. This window is programmable by an external divider which is comprised of an NTC thermistor connected to GND and a resistor connected to  $V_{REF}$ . When the voltage on the TH pin exceeds the minimum or maximum voltage threshold (internal window comparator), the device stops the charge process, and indicates a fault condition through the status pin.

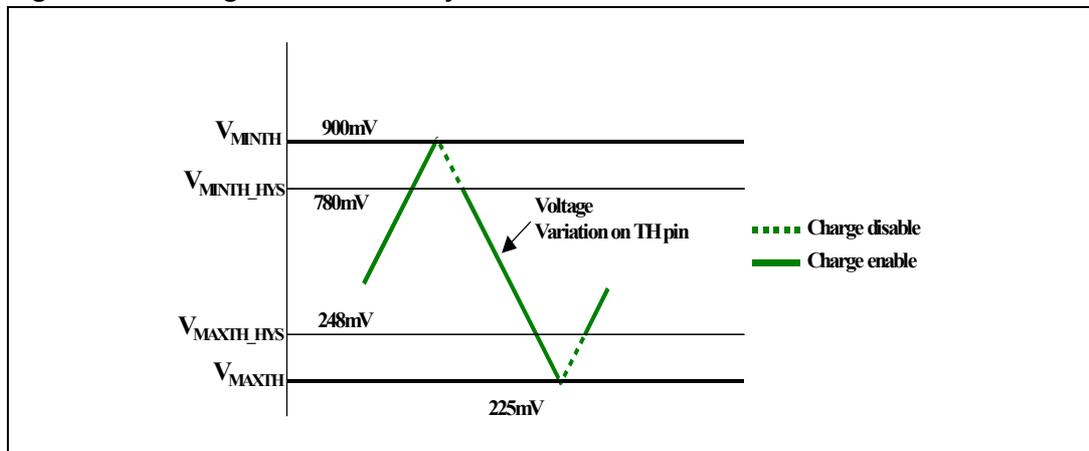
When the voltage (and thus, the temperature), returns to the window range, the device re-starts the charging process. Moreover, there is a hysteresis for both the upper and lower thresholds, as shown in *Figure 20*.

**Figure 19. Battery temperature control flow chart**

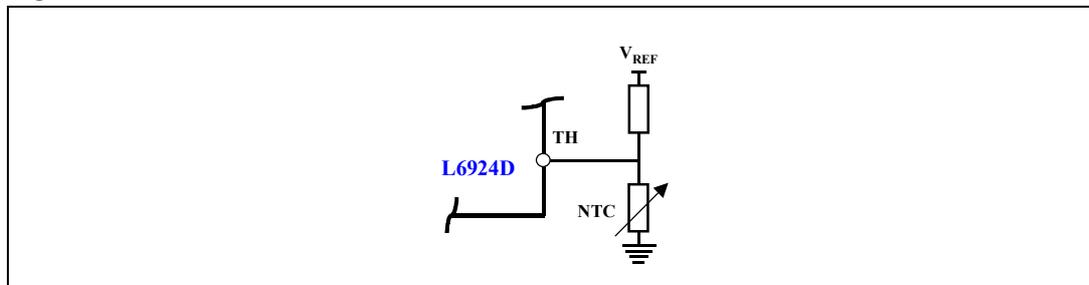


Note:  $T_{BAT} = OK$  when the battery temperature between  $0^{\circ}C$  and  $50^{\circ}C$

**Figure 20. Voltage window with hysteresis on TH**



**Figure 21. Pin connection**



When the TH pin voltage rises and exceeds the  $V_{\text{MINTH}} = 50\%$  of  $V_{\text{REF}}$  (900 mV typ), the L6924D stops the charge, and indicates a fault by the status pins. The device re-starts to charge the battery, only when the voltage at the TH pin goes under  $V_{\text{MINTH\_HYS}} = 780$  mV (typ).

For what concerns the high temperature limit, when the TH pin voltage falls under the  $V_{\text{MAXTH}} = 12.5\%$  of  $V_{\text{REF}}$  (225 mV Typ.), the L6924D stops the charge until the TH pin voltage rises to the  $V_{\text{MAXTH\_HYS}} = 248$  mV (Typ.).

When the battery is at the low temperature limit, the TH pin voltage is 900 mV. The correct resistance ratio to set the low temperature limit at 0°C can be found with the following equation:

**Equation 14**

$$V_{\text{MINTH}} = V_{\text{REF}} \times \frac{R_{\text{NTC}0^{\circ}\text{C}}}{R_{\text{UP}} + R_{\text{NTC}0^{\circ}\text{C}}}$$

Where  $R_{\text{UP}}$  is the pull-up resistor,  $V_{\text{REF}}$  is equal to 1.8 V, and  $R_{\text{NTC}0^{\circ}\text{C}}$  is the value of the NTC at 0°C. Since at the low temperature limit  $V_{\text{MINTH}} = 900$  mV:

**Equation 15**

$$0.9 = 1.8 \times \frac{R_{\text{NTC}0^{\circ}\text{C}}}{R_{\text{UP}} + R_{\text{NTC}0^{\circ}\text{C}}}$$

It follows that:

**Equation 16**

$$R_{\text{NTC}0^{\circ}\text{C}} = R_{\text{UP}}$$

Similarly, when the battery is at the high temperature limit, the TH pin voltage is 225 mV. The correct resistance ratio to set the high temperature limit at 50°C can be found with the following equation:

**Equation 17**

$$V_{\text{MAXTH}} = V_{\text{REF}} \times \frac{R_{\text{NTC}50^{\circ}\text{C}}}{R_{\text{UP}} + R_{\text{NTC}50^{\circ}\text{C}}}$$

Where  $R_{\text{NTC}50^{\circ}\text{C}}$  is the value of the NTC at 50°C. Considering  $V_{\text{MAXTH}} = 225$  mV it follows that:

**Equation 18**

$$0.225 = 1.8 \times \frac{R_{\text{NTC}50^{\circ}\text{C}}}{R_{\text{UP}} + R_{\text{NTC}50^{\circ}\text{C}}}$$

Consequently:

**Equation 19**

$$R_{\text{NTC}50^{\circ}\text{C}} = \frac{R_{\text{UP}}}{7}$$

Based on [Equation 16:](#) and [Equation 19:](#) , it derives that:

**Equation 20**

$$\frac{R_{NTC0^{\circ}C}}{R_{NTC50^{\circ}C}} = 7$$

The temperature hysteresis can be estimated by the equation:

**Equation 21**

$$T_{HYS} = \frac{V_{TH} - V_{TH\_HYS}}{V_{TH} \times NTC_T}$$

Where  $V_{TH}$  is the pin voltage threshold on the rising edge,  $V_{TH\_HYS}$  is the pin voltage threshold on the falling edge, and  $NTC_T$  (-%/°C) is the negative temperature coefficient of the NTC at temperature (T) expressed in % resistance change per °C. For  $NTC_T$  values, see the characteristics of the NTC manufacturers (e.g. the 2322615 series by VISHAY). At the low temperature, the hysteresis is approximately:

**Equation 22**

$$T_{HYS0^{\circ}C} = \frac{900mV - 780mV}{900mV \times NTC0^{\circ}C}$$

Obviously at the high temperature hysteresis is:

**Equation 23**

$$T_{HYS50^{\circ}C} = \frac{225mV - 248mV}{225mV \times NTC50^{\circ}C}$$

Considering typical values for  $NTC0^{\circ}C$  and  $NTC50^{\circ}C$ , the hysteresis is:

**Equation 24**

$$T_{HYS0^{\circ}C} = \frac{900mV - 780mV}{900mV \times 0.051} \cong 2.5^{\circ}C$$

And:

**Equation 25**

$$T_{HYS50^{\circ}C} = \frac{225mV - 248mV}{225mV \times 0.039} \cong -2.5^{\circ}C$$

If a PTC connected to GND is used, the selection is the same as above, the only difference is when the battery temperature increases, the voltage on the TH pin increases, and vice versa. For applications that do not need a monitor of the battery temperature, the NTC can be replaced with a simple resistor whose value is one half of the pull-up resistor  $R_{UP}$

In this case, the voltage at the TH pin is always inside the voltage window, and the charge is always enabled.

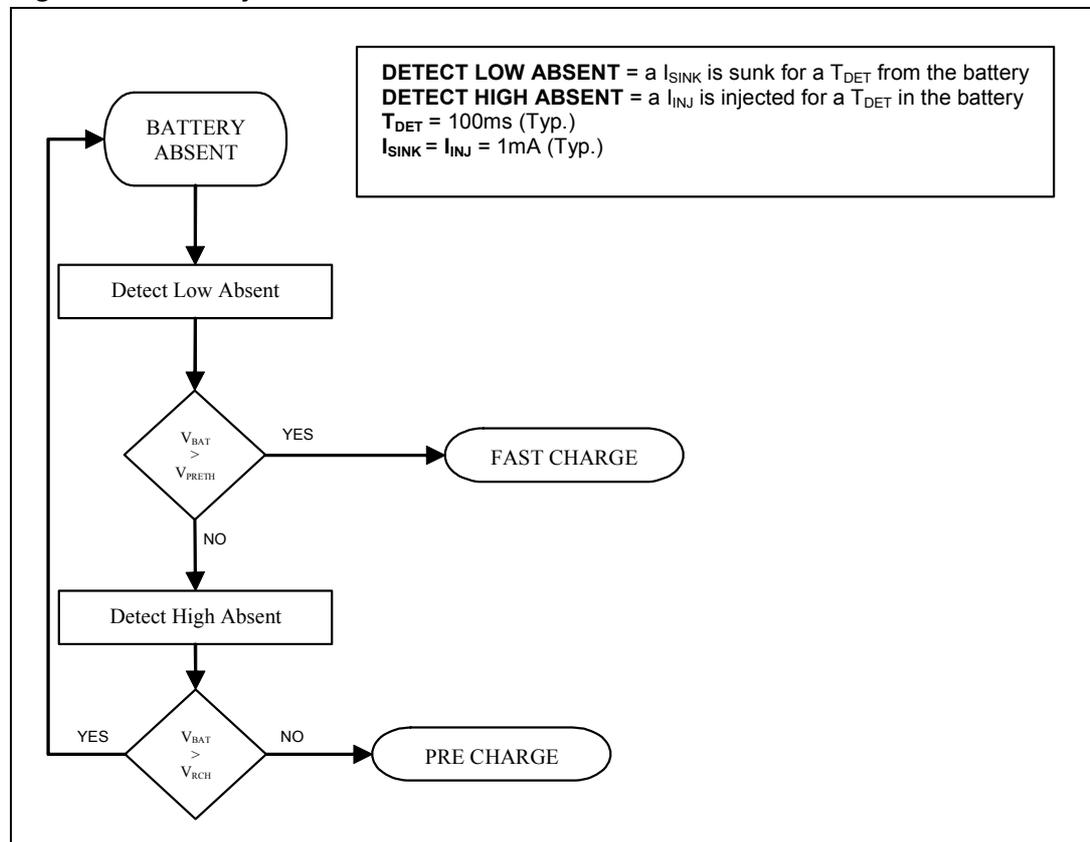
## 8.2 Battery absence detection

This feature provides a battery absent detection scheme to detect the removal or the insertion of the battery. If the battery is removed, the charge current falls below the  $I_{ENDTH}$ . At the end of the de-glitch time, a detection current  $I_{DETECT}$ , equal to 1 mA, is sunk from the output for a time of  $T_{DETECT}$ . The device checks the voltage at the output. If it is below the  $V_{PRETH}$ , a current equal to  $I_{DETECT}$  is injected in the output capacitor for a  $T_{DETECT}$ , and it is checked to see if the voltage on the output goes higher than  $V_{ABS}$  (the value is  $V_{OPRGTH}-50$  mV). If the battery voltage changes from  $V_{PRETH}$  to  $V_{ABS}$  and vice versa in a  $T_{DETECT}$  time, it means that no battery is connected to the charger. The  $T_{DETECT}$  is expressed by:

Equation 26

$$T_{DETECT} = \frac{T_{MAXCH}}{54 \times 10^3}$$

Figure 22. Battery absent detection flow chart



## 8.3 Status pins

To indicate various charger status conditions, there are two open-collector output pins, ST1 and ST2. These status pins can be used either to drive status LEDs, connected to an external power source, by a resistor, or to communicate to a host processor. These pins must never be connected to the  $V_{IN}$  when it exceeds their absolute value (6 V).

Figure 23. ST1 and ST2 connection with LEDs or microcontroller

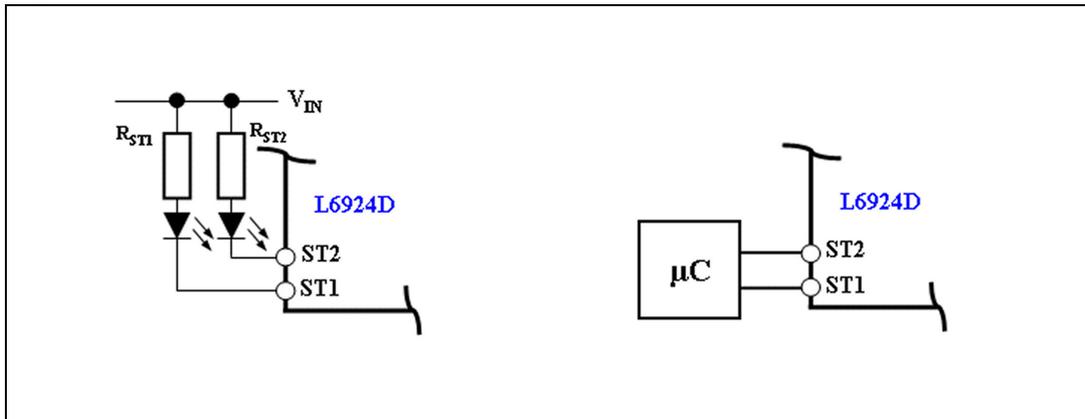


Table 6. Status LEDs indications

Charge condition	Description	ST1	ST2
Charge in progress	When the device is in pre-charge or fast-charge status	ON	OFF
Charge done	When the charging current goes lower than the $I_{ENDTH}$	OFF	ON
Stand by mode	When the input voltage goes under $V_{BAT}-50\text{ mV}$	OFF	OFF
Bad battery temperature	When the voltage on the TH pin is out of the programmable window, in accordance with the NTC or PTC thermistor	ON	ON
Battery absent	When the battery pack is removed	ON	ON
Over time	When $T_{MAXCH}$ or $T_{MAXPRECH}$ is expired	ON	ON

## 8.4 Shutdown

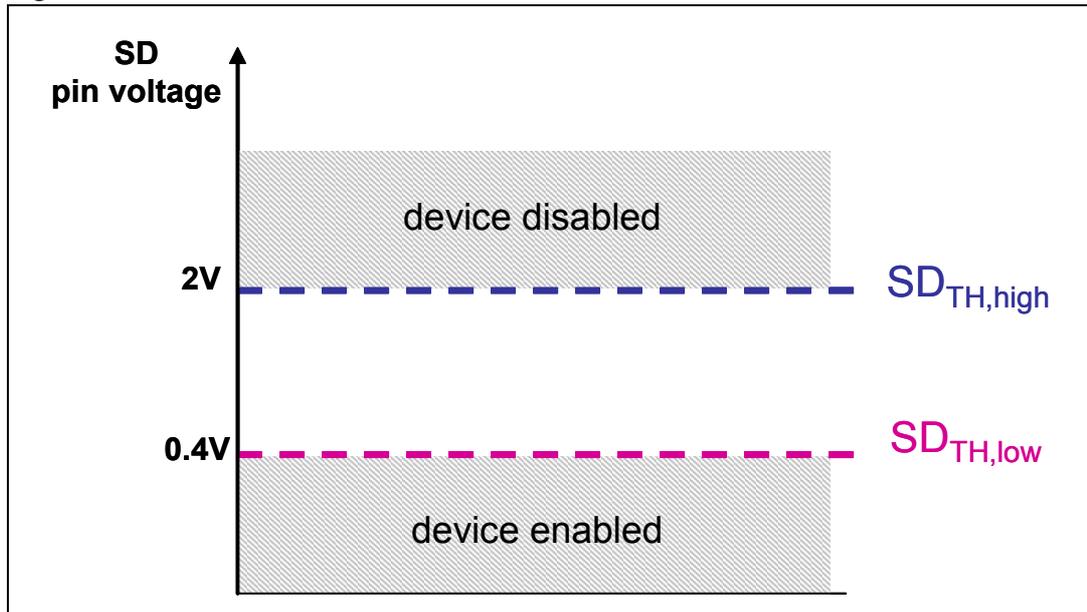
The L6924D has a shutdown pin (SD) that allows enabling or disabling the device.

If the SD pin voltage is below 0.4 V (e.g. pin connected to GND), the device is enabled, whereas if the SD pin voltage exceeds 2 V (e.g. the shutdown pin is left floating) the device is disabled.

When the device enters the shutdown mode, the current consumption is reduced to 60  $\mu\text{A}$  typ. In this condition,  $V_{REF}$  is turned off.

The [Figure 24](#) clarifies the SD pin behavior.

Figure 24. Shutdown



## 9 Additional applications information

### 9.1 Selecting the input capacitor

In most applications, a 1  $\mu\text{F}$  ceramic capacitor, placed close to the  $V_{\text{IN}}$  and  $V_{\text{INSN}}$  pins can be used to filter the high frequency noise.

### 9.2 Selecting the output capacitor

Typically, 1  $\mu\text{F}$  ceramic capacitor placed close to the  $V_{\text{OUT}}$  and  $V_{\text{OUTSN}}$  pin is enough to keep voltage control loop stable. This ensures proper operation of battery absent detection in removable battery pack applications.

### 9.3 Layout guidelines and demonstration board description

The thermal loop keeps the device at a constant temperature of approximately 120°C which in turn, reduces  $I_{\text{CHG}}$ . However, in order to maximize the current capability, it is important to ensure a good thermal path. Therefore, the exposed pad must be properly soldered to the board and connected to the other layer through thermal vias. The recommended copper thickness of the layers is 70  $\mu\text{m}$  or more.

The exposed pad must be electrically connected to GND. [Figure 25](#) shows the thermal image of the board with the power dissipation of 1 W. In this instance, the temperature of the case is 89°C, but the junction temperature of the device is given by the following equation:

#### Equation 27

$$T_J = R_{\text{THJ-A}} \times P_{\text{DISS}} + T_{\text{AMB}}$$

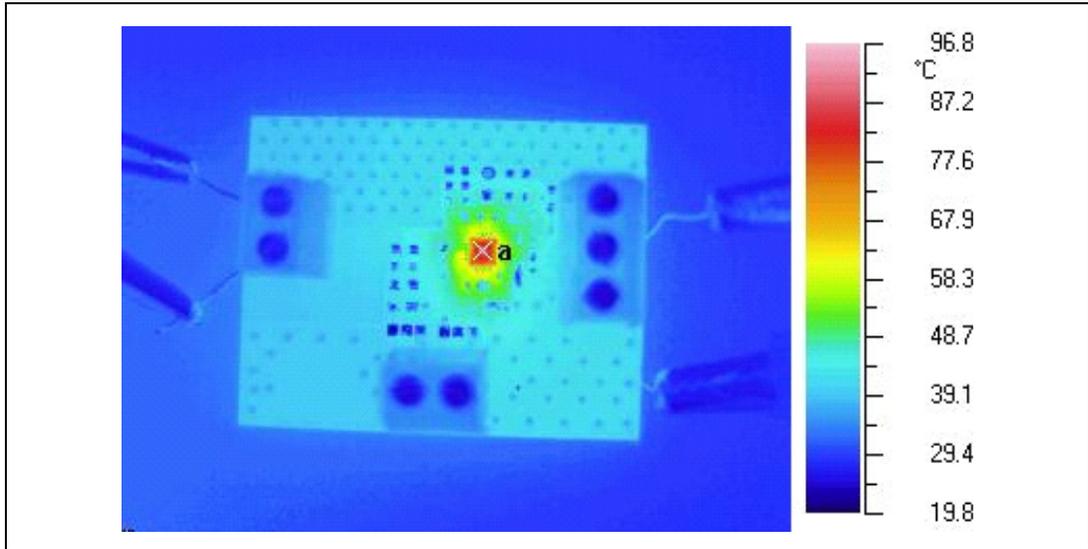
Where the  $R_{\text{THJ-A}}$  of the device mounted on board is 75 °C/W, the power dissipated is 1 W, and the ambient temperature is 25 °C.

In this case the junction temperature is:

#### Equation 28

$$T_J = 75 \times 1 + 25 = 100^\circ \text{C}$$

Figure 25. Thermal image of the demonstration board



The  $V_{OSNS}$  pin can be used as a remote sense; it should be therefore connected as closely as possible to the battery. The demonstration board layout and schematic are shown in [Figure 26](#), [Figure 27](#) and [Figure 28](#).

Figure 26. Demonstration board layout, top side

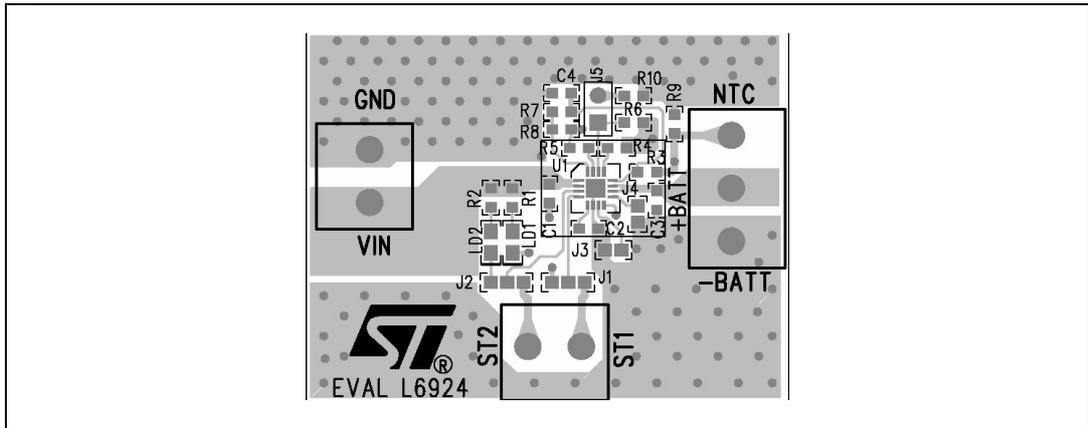
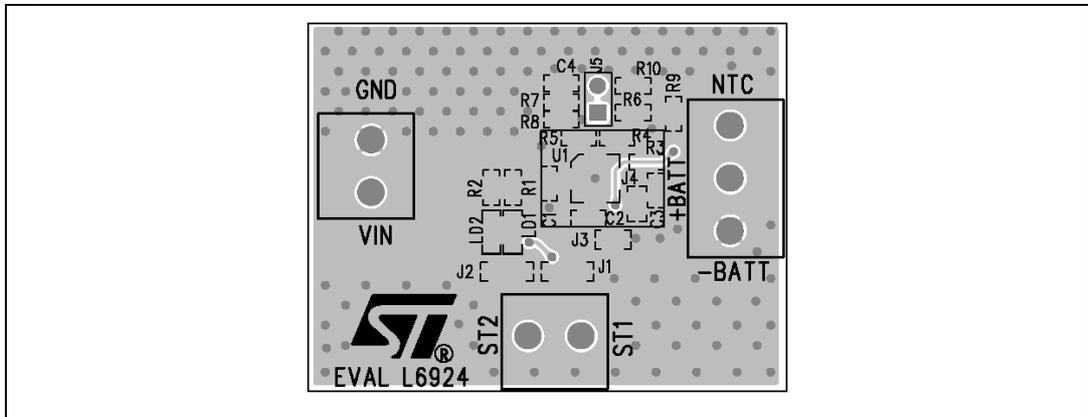


Figure 27. Demonstration board layout, bottom side





**Table 7. Demonstration board components description**

Name	Value	Description
R1	1k	Pull up resistor. To be used when the ST1 is connected to a LED.
R2	1k	Pull up resistor. To be used when the ST1 is connected to a LED.
R3	1k	Pull up resistor. Connected between $V_{REF}$ and TH pin.
R4	3k3	End of charge current resistor. Used to set the termination current and, as a "Gas Gauge" when measuring the voltage across on it.
R5	24k	Fast-charge current resistor. Used to set the charging current.
R6	N.M.	$V_{PRETH}$ resistor. Used to set programmable pre-charge voltage threshold. If not mounted, the $V_{PRETHDefault}$ , equal to 2.8V, is set.
R7	N.M.	$I_{PRETH}$ resistor. Used to set the programmable pre-charge current threshold below the default one. If not mounted, the $I_{PRETHDefault}$ is set.
R8	68k	$I_{PRETH}$ resistor. Used to set the programmable pre-charge current threshold above the default one. If not mounted, the $I_{PRETHDefault}$ is set.
R9	470R	If a NTC is not used, a half value of R3 must be mounted to keep the TH voltage in the correct window.
R10	N.M.	It has the same function of R6. Moreover, if it is replaced with a short-circuit, when J5 is closed, the timer is reset (falling edge).
C1	1 $\mu$ F	Input capacitor.
C2	10nF	$T_{MAX}$ capacitor. Used to set the maximum charging time.
C3	4.7 $\mu$ F	Output capacitor.
C4	1nF	$V_{REF}$ filter capacitor.
LD1	GREEN	ST1 LED.
LD2	RED	ST2 LED.
J1		ST1 jumper. Using to select the LED or the external $\mu$ C.
J2		ST2 jumper. Using to select the LED or the external $\mu$ C.
J3		SD jumper. If open, the device is in shutdown mode; when closed, the device starts to work.
J4		$V_{OPRG}$ jumper. If closed, the 4.2V output voltage is set; if open, the 4.1V is set.
J5		$V_{PRE}$ jumper. If closed with R10 in short-circuit with GND, resets the timer.



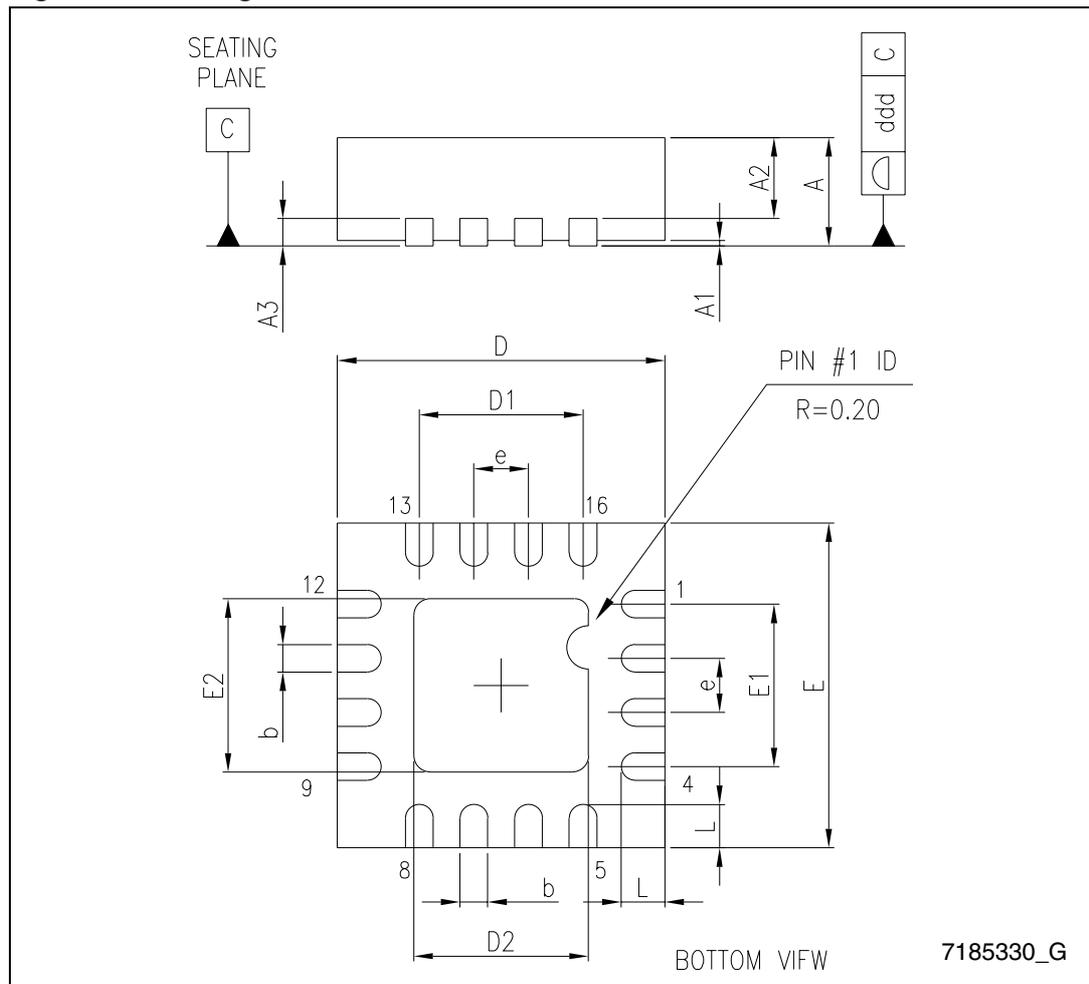
## 11 Package mechanical data

In order to meet environmental requirements, ST offers these devices in different grades of ECOPACK<sup>®</sup> packages, depending on their level of environmental compliance. ECOPACK<sup>®</sup> specifications, grade definitions and product status are available at: [www.st.com](http://www.st.com). ECOPACK<sup>®</sup> is an ST trademark.

Table 8. VFQFPN16 (3 x 3 mm.) mechanical data

Dim.	mm.		
	Min.	Typ.	Max.
A	0.80	0.90	1.00
A1		0.02	0.05
A2		0.65	1.00
A3		0.20	
b	0.18	0.25	0.30
D	2.85	3.00	3.15
D2	1.45	1.60	1.75
E	2.85	3.00	3.15
E2	1.45	1.60	1.75
e	0.45	0.50	0.55
L	0.30	0.40	0.50

Figure 30. Package dimensions



## 12 Revision history

**Table 9. Document revision history**

Date	Revision	Changes
16-Dec-2005	1	First draft
20-Dec-2005	2	Package dimensions updated
10-Jan-2006	3	Few updates
14-Feb-2006	4	Part number updated
03-Jul-2006	5	Updates to equation in page 22, updated block diagram <a href="#">Figure 4</a> .
07-Sep-2006	6	Added <a href="#">Note: on page 20</a> , updated value $C_{TPRG}$ page 8
29-Jun-2007	7	Updated capacitor values C2, C3 in <a href="#">Table 7 on page 33</a>
05-Jul-2010	8	Updated <a href="#">Table 5 on page 8</a> and <a href="#">Section 8.4 on page 28</a>
22-Sep-2010	9	Updated <a href="#">Table 8</a> and <a href="#">Figure 30 on page 36</a> . Minor changes.

**Please Read Carefully:**

Information in this document is provided solely in connection with ST products. STMicroelectronics NV and its subsidiaries ("ST") reserve the right to make changes, corrections, modifications or improvements, to this document, and the products and services described herein at any time, without notice.

All ST products are sold pursuant to ST's terms and conditions of sale.

Purchasers are solely responsible for the choice, selection and use of the ST products and services described herein, and ST assumes no liability whatsoever relating to the choice, selection or use of the ST products and services described herein.

No license, express or implied, by estoppel or otherwise, to any intellectual property rights is granted under this document. If any part of this document refers to any third party products or services it shall not be deemed a license grant by ST for the use of such third party products or services, or any intellectual property contained therein or considered as a warranty covering the use in any manner whatsoever of such third party products or services or any intellectual property contained therein.

**UNLESS OTHERWISE SET FORTH IN ST'S TERMS AND CONDITIONS OF SALE ST DISCLAIMS ANY EXPRESS OR IMPLIED WARRANTY WITH RESPECT TO THE USE AND/OR SALE OF ST PRODUCTS INCLUDING WITHOUT LIMITATION IMPLIED WARRANTIES OF MERCHANTABILITY, FITNESS FOR A PARTICULAR PURPOSE (AND THEIR EQUIVALENTS UNDER THE LAWS OF ANY JURISDICTION), OR INFRINGEMENT OF ANY PATENT, COPYRIGHT OR OTHER INTELLECTUAL PROPERTY RIGHT.**

**UNLESS EXPRESSLY APPROVED IN WRITING BY AN AUTHORIZED ST REPRESENTATIVE, ST PRODUCTS ARE NOT RECOMMENDED, AUTHORIZED OR WARRANTED FOR USE IN MILITARY, AIR CRAFT, SPACE, LIFE SAVING, OR LIFE SUSTAINING APPLICATIONS, NOR IN PRODUCTS OR SYSTEMS WHERE FAILURE OR MALFUNCTION MAY RESULT IN PERSONAL INJURY, DEATH, OR SEVERE PROPERTY OR ENVIRONMENTAL DAMAGE. ST PRODUCTS WHICH ARE NOT SPECIFIED AS "AUTOMOTIVE GRADE" MAY ONLY BE USED IN AUTOMOTIVE APPLICATIONS AT USER'S OWN RISK.**

Resale of ST products with provisions different from the statements and/or technical features set forth in this document shall immediately void any warranty granted by ST for the ST product or service described herein and shall not create or extend in any manner whatsoever, any liability of ST.

ST and the ST logo are trademarks or registered trademarks of ST in various countries.

Information in this document supersedes and replaces all information previously supplied.

The ST logo is a registered trademark of STMicroelectronics. All other names are the property of their respective owners.

© 2010 STMicroelectronics - All rights reserved

STMicroelectronics group of companies

Australia - Belgium - Brazil - Canada - China - Czech Republic - Finland - France - Germany - Hong Kong - India - Israel - Italy - Japan - Malaysia - Malta - Morocco - Philippines - Singapore - Spain - Sweden - Switzerland - United Kingdom - United States of America

[www.st.com](http://www.st.com)

# Mouser Electronics

Authorized Distributor

Click to View Pricing, Inventory, Delivery & Lifecycle Information:

[STMicroelectronics:](#)

[L6924D](#) [L6924D013TR](#)