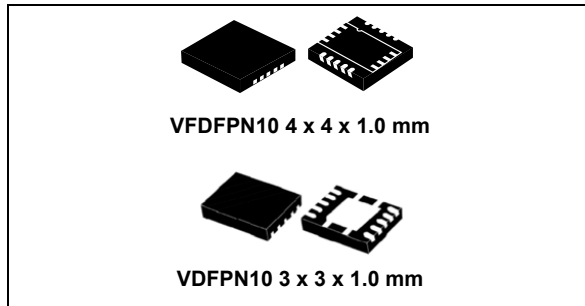


## 36 V, 400 mA synchronous step-down switching regulator

Datasheet - production data



### Application

- Automotive systems (LCM)
- Battery powered applications (LCM)
- Car audio and low noise applications (LNM)
- Sensors (LNM)
- E- metering

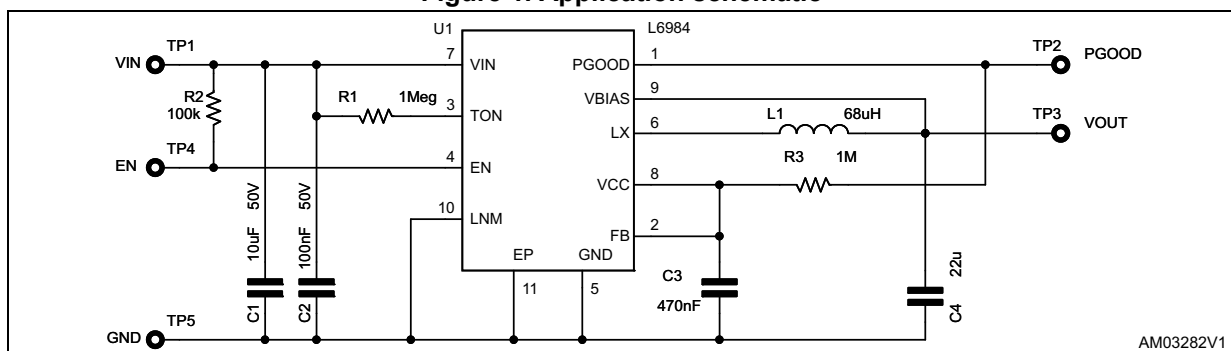
### Description

The L6984 is a step-down monolithic switching regulator able to deliver up to 400 mA DC. The output voltage adjustability ranges from 0.9 V. The fixed 3.3 V  $V_{OUT}$  requires no external resistor divider. The “Low Consumption Mode” (LCM) is designed for applications active during car parking, so it maximizes the efficiency at light load with controlled output voltage ripple. The “Low Noise Mode” (LNM) makes the switching frequency almost constant over the load current range, serving low noise application specification like car audio/sensors. The PGOOD open collector output can implement output voltage sequencing during the power-up phase. The synchronous rectification, designed for high efficiency at medium - heavy load, and the high switching frequency capability make the size of the application compact. Pulse-by-pulse current sensing on low-side power element implements an effective constant current protection.

### Features

- 400 mA DC output current
- 4.5 V to 36 V operating input voltage
- Synchronous rectification
- Low consumption mode or low noise mode
- 100  $\mu$ A  $I_Q$  at light load (LCM  $V_{OUT} = 3.3$  V)
- 13  $\mu$ A  $I_{Q-SHTDWN}$
- Adjustable  $f_{SW}$  (250 kHz - 600 kHz)
- Output voltage adjustable from 0.9 V
- No resistor divider required for 3.3 V  $V_{OUT}$
- $V_{BIAS}$  maximizes efficiency at light load
- 350 mA valley current limit
- Constant on-time control scheme
- PGOOD open collector
- Thermal shutdown

Figure 1. Application schematic



# Contents

- 1 Pin settings ..... 4**
  - 1.1 Pin connection ..... 4
  - 1.2 Pin description ..... 4
  - 1.3 Maximum ratings ..... 5
  - 1.4 Thermal data ..... 5
  - 1.5 ESD protection ..... 6
  
- 2 Electrical characteristics ..... 7**
  
- 3 Device description ..... 10**
  - 3.1 Output voltage adjustment ..... 12
    - 3.1.1 Maximum output voltage ..... 12
    - 3.1.2 Leading network ..... 13
  - 3.2 Control loop ..... 15
  - 3.3 Optional virtual ESR network ..... 19
    - Output voltage accuracy and optimized resistor divider ..... 22
  - 3.4 Soft-start ..... 25
  - 3.5 Light load operation ..... 25
    - 3.5.1 Low noise mode (LNM) ..... 25
    - 3.5.2 Low consumption mode (LCM) ..... 26
  - 3.6 Switchover feature ..... 28
    - 3.6.1 LCM ..... 28
    - 3.6.2 LNM ..... 29
  - 3.7 Overcurrent protection ..... 29
  - 3.8 PGOOD ..... 31
  - 3.9 Overvoltage protection ..... 31
  - 3.10 Thermal shutdown ..... 32

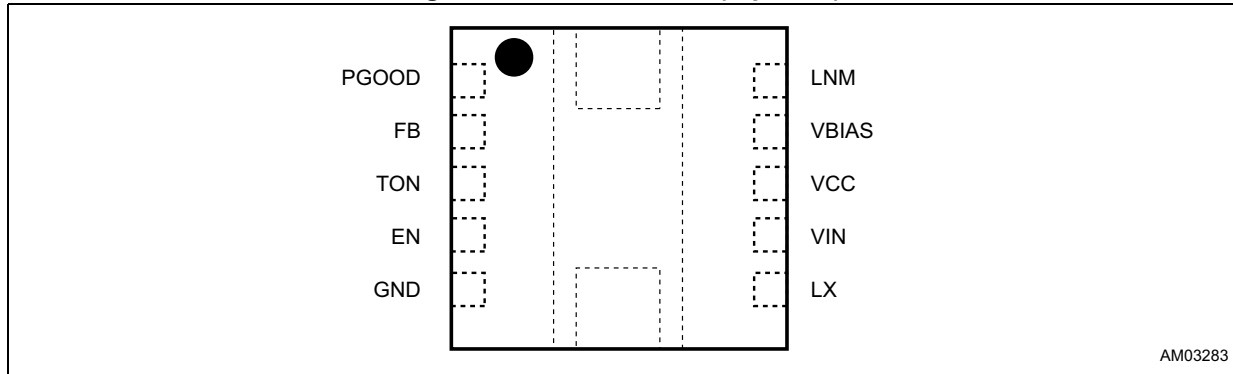
---

<b>4</b>	<b>Design of the power components</b> .....	<b>33</b>
4.1	Input capacitor selection .....	33
4.2	Inductor selection .....	34
4.3	Output capacitor selection .....	35
4.3.1	Output voltage ripple .....	35
4.3.2	COUT specification and loop stability .....	36
<b>5</b>	<b>Application board</b> .....	<b>37</b>
<b>6</b>	<b>Efficiency curves</b> .....	<b>40</b>
<b>7</b>	<b>Package information</b> .....	<b>42</b>
7.1	VDFPN10 4 x 4 x 1.0 mm package information .....	43
7.2	VDFPN10 3 x 3 x 1.0 mm package information .....	44
<b>8</b>	<b>Order codes</b> .....	<b>45</b>
<b>9</b>	<b>Revision history</b> .....	<b>45</b>

# 1 Pin settings

## 1.1 Pin connection

Figure 2. Pin connection (top view)



AM03283

## 1.2 Pin description

Table 1. Pin description

No.	Pin	Description
1	PGOOD	The open collector output is driven low when the FB voltage is below the $V_{PGD L}$ threshold (see <a href="#">Table 5</a> ).
2	FB	Inverting input of the error amplifier
3	TON	A resistor connected between this pin and $V_{IN}$ sets the switching frequency.
4	EN	Enable pin. A logical active high signal enables the device. Connect this pin to $V_{IN}$ if not used.
5	GND	Power GND
6	LX	Switching node
7	VIN	DC input voltage
8	VCC	Embedded regulator output that supplies the main switching controller. Connect an external 1 $\mu$ F capacitor for proper operation. An integrated LDO regulates $VCC = 3.3 V$ if VBIAS voltage is $< 2.4 V$ . VCC is connected to VBIAS through a MOSFET switch if $VBIAS > 3.2 V$ and the embedded LDO is disabled to increase the light load efficiency.
9	VBIAS	Typically connected to the regulated output voltage. An external voltage reference can be used to supply the analog circuitry to increase the efficiency at light load. Connect to GND if not used.
10	LNM	Connect to $V_{CC}$ for low noise mode (LNM) / to GND for low consumption mode (LCM) operation.

### 1.3 Maximum ratings

Stressing the device above the rating listed in [Table 2: Absolute maximum ratings](#) may cause permanent damage to the device.

These are stress ratings only and operation of the device at these or any other conditions above those indicated in [Table 5](#) of this specification is not implied.

Exposure to absolute maximum rating conditions may affect device reliability.

**Table 2. Absolute maximum ratings**

Symbol	Description	Min.	Max.	Unit
V <sub>IN</sub>	see <a href="#">Table 1</a>	-0.3	40	V
EN		-0.3	V <sub>IN</sub> + 0.3	
LX				
TON				
V <sub>CC</sub>		-0.3	6	
V <sub>BIAS</sub>		-0.3	V <sub>CC</sub> + 0.3	
PGOOD				
FB				
LNM				
T <sub>J</sub>	Operating temperature range	-40	150	°C
T <sub>STG</sub>	Storage temperature range		-55 to 150	
T <sub>LEAD</sub>	Lead temperature (soldering 10 sec.)		260	
I <sub>HS</sub> , I <sub>LS</sub>	High-side RMS switch current		420	mA
	Low-side RMS switch current		500	

### 1.4 Thermal data

**Table 3. Thermal data**

Symbol	Parameter	Value	Unit
R <sub>th JA</sub>	Thermal resistance junction ambient (device soldered on the STMicroelectronics® evaluation board)	50	°C/W

## 1.5 ESD protection

Table 4. ESD protection

Symbol	Test condition	Value	Unit
ESD	HBM	2	KV
	MM	200	V
	CDM	500	V

## 2 Electrical characteristics

$T_J = 25\text{ °C}$ ,  $V_{IN} = V_{EN} = 12\text{ V}$ ,  $V_{BIAS} = 3.3\text{ V}$ , unless otherwise specified.

**Table 5. Electrical characteristics**

Symbol	Parameter	Test condition	Min.	Typ.	Max.	Unit
$V_{IN}$	Operating input voltage range		4.5		36	V
$V_{IN\_UVLO}$	UVLO thresholds	rising edge $V_{CC}$ regulator $V_{BIAS} = \text{GND}$	3.1	3.8	4.5	
		falling edge $V_{CC}$ regulator $V_{BIAS} = \text{GND}$	2.9	3.6	4.3	
$V_{OUT}$	Fixed output voltage valley regulation	$\text{FB} = V_{CC}$ , no load	3.23	3.3	3.37	
$V_{FB}$	Adjustable output voltage valley regulation	No load, $V_{BIAS} = 3.3\text{ V}$	0.88	0.9	0.92	
$R_{\text{DSON HS}}$	High-side RDSON	$I_{\text{SW}} = 0.1\text{ A}$	0.9	1.3	1.7	$\Omega$
$R_{\text{DSON LS}}$	Low-side RDSON	$I_{\text{SW}} = 0.1\text{ A}$	0.6	1.0	1.4	
$T_{\text{OFF}}$	Minimum Low-side conduction time	$V_{IN} = V_{EN} = 4.5\text{ V}$	100	300	400	ns
<b>Current limit and zero crossing comparator</b>						
$I_{\text{VY}}$	Valley current limit		350	400	470	mA
$I_{\text{ZCD}}$	Zero crossing current threshold	(1)	12	27	46	
<b>VCC regulator</b>						
$V_{\text{CC}}$	VCC voltage	$V_{\text{FB}} = 1\text{ V}$ , $V_{\text{BIAS}} = \text{GND}$	3	3.8	4.6	V
$V_{\text{BIAS}}$	$V_{\text{BIAS}}$ falling threshold		2.4	2.6	2.8	
	$V_{\text{BIAS}}$ rising threshold		2.6	2.9	3.2	
<b>Power consumption</b>						
$I_{\text{SHTDWN}}$	Shutdown current from $V_{IN}$	$\text{EN} = \text{GND}$	3	13	22	$\mu\text{A}$

Table 5. Electrical characteristics (continued)

Symbol	Parameter	Test condition	Min.	Typ.	Max.	Unit	
I <sub>Q OPVIN</sub>	Quiescent current from V <sub>IN</sub>	<b>LCM - SWO</b> V <sub>REF</sub> < V <sub>FB</sub> < V <sub>OVP</sub> (SLEEP) V <sub>BIAS</sub> = 3.3 V	(2)	11	26	41	μA
		<b>LCM - NO SWO</b> V <sub>REF</sub> < V <sub>FB</sub> < V <sub>OVP</sub> (SLEEP) V <sub>BIAS</sub> = GND	(2)	90	160	230	
		<b>LNM - SWO</b> V <sub>REF</sub> < V <sub>FB</sub> < V <sub>OVP</sub> V <sub>BIAS</sub> = 3.3 V		11	26	42	
		<b>LNM - NO SWO</b> V <sub>REF</sub> < V <sub>FB</sub> < V <sub>OVP</sub> V <sub>BIAS</sub> = GND		200	320	440	
I <sub>Q OPVBIAS</sub>	Quiescent current from V <sub>BIAS</sub>	<b>LCM - SWO</b> V <sub>REF</sub> < V <sub>FB</sub> < V <sub>OVP</sub> (SLEEP) V <sub>BIAS</sub> = 3.3 V	(2)	80	150	200	
		<b>LNM - SWO</b> V <sub>REF</sub> < V <sub>FB</sub> < V <sub>OVP</sub> V <sub>BIAS</sub> = 3.3 V		180	300	390	
<b>Enable</b>							
EN	EN thresholds	Device inhibited		1.1			V
		Device enabled				2.6	
	EN hysteresis		(3)		650		mV
<b>Overvoltage protection</b>							
V <sub>OVP</sub>	Overvoltage trip (V <sub>OVP</sub> /V <sub>REF</sub> )	Rising edge		18	23	28	%
<b>PGOOD</b>							
V <sub>PGDL</sub>	Power Good LOW threshold	V <sub>FB</sub> rising edge (PGOOD high impedance)	(3)		90		
		V <sub>FB</sub> falling edge (PGOOD low impedance)		84	88	92	
V <sub>PGDH</sub>	Power Good HIGH threshold	Internal FB rising edge (PGOOD low impedance) V <sub>FB</sub> = V <sub>CC</sub>		118	123	128	%
		Internal FB falling edge (PGOOD high impedance) V <sub>FB</sub> = V <sub>CC</sub>	(3)		100		
V <sub>PGOOD</sub>	PGOOD open collector output	V <sub>IN</sub> > V <sub>IN_UVLO_H</sub> , V <sub>FB</sub> =GND 4 mA sinking load				0.6	V
		2.9 < V <sub>IN</sub> < V <sub>IN_UVLO_H</sub> 100 μA sinking load				0.6	V





Table 5. Electrical characteristics (continued)

Symbol	Parameter	Test condition	Min.	Typ.	Max.	Unit
<b>Thermal shutdown</b>						
T <sub>SHDWN</sub>	Thermal shutdown temperature		<sup>(3)</sup>	150		°C
T <sub>HYS</sub>	Thermal shutdown hysteresis		<sup>(3)</sup>	20		°C

1. Parameter tested in static condition during testing phase. Parameter value may change over dynamic application condition.
2. LCM enables SLEEP mode (part of the internal circuitry is disabled) at light load.
3. Not tested in production.

### 3 Device description

The L6984 device is based on a “Constant On-Time” (COT) control scheme with frequency feed-forward correction over the  $V_{IN}$  range. As a consequence the device features fast load transient response, almost constant switching frequency operation over the input voltage range and simple stability control.

The switching frequency can be adjusted in the 250 kHz - 600 kHz range.

The LNM (low noise mode) implements constant PWM control to minimize the voltage ripple over the load range, the LCM (low consumption mode) pulse skipping technique to increase the efficiency at the light load.

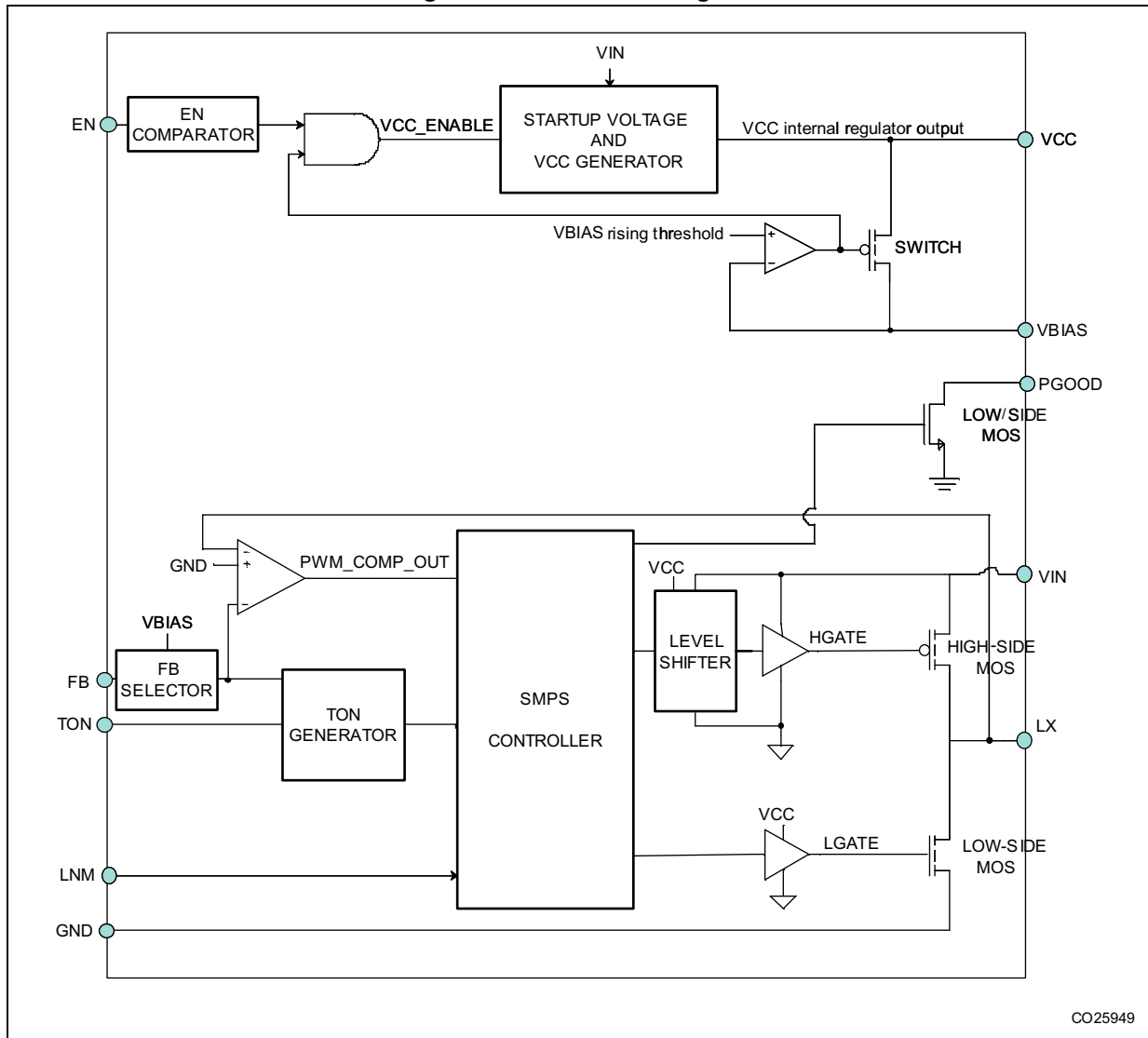
No external resistor divider is required to regulate fixed 3.3 V output voltage, connecting FB to the  $V_{CC}$  pin and  $V_{BIAS}$  to the regulated output voltage (see [Figure 1 on page 1](#)). An external voltage divider implements the output voltage adjustability.

The switchover capability of the internal regulator derives a portion of the quiescent current from an external voltage source ( $V_{BIAS}$  pin is typically connected to the regulated output voltage) to maximize the efficiency at the light load.

The device main internal blocks are shown in the block diagram in [Figure 6](#):

- The bandgap reference voltage
- The on-time controller
- A “Pulse Width Modulator” (PWM) comparator and the driving circuitry of the embedded power elements
- The SMPS controller block
- The soft-start block to ramp the current limitation
- The switchover capability of the internal regulator to supply a portion of the quiescent current when the  $V_{BIAS}$  pin is connected to an external output voltage
- The current limitation circuit to implement the constant current protection, sensing pulse-by-pulse low-side switch current.
- A circuit to implement the thermal protection function
- LNM pin strapping sets the LNM/LCM mode
- The PG (“Power Good”) open collector output
- The thermal protection circuitry.

Figure 3. L6984 block diagram

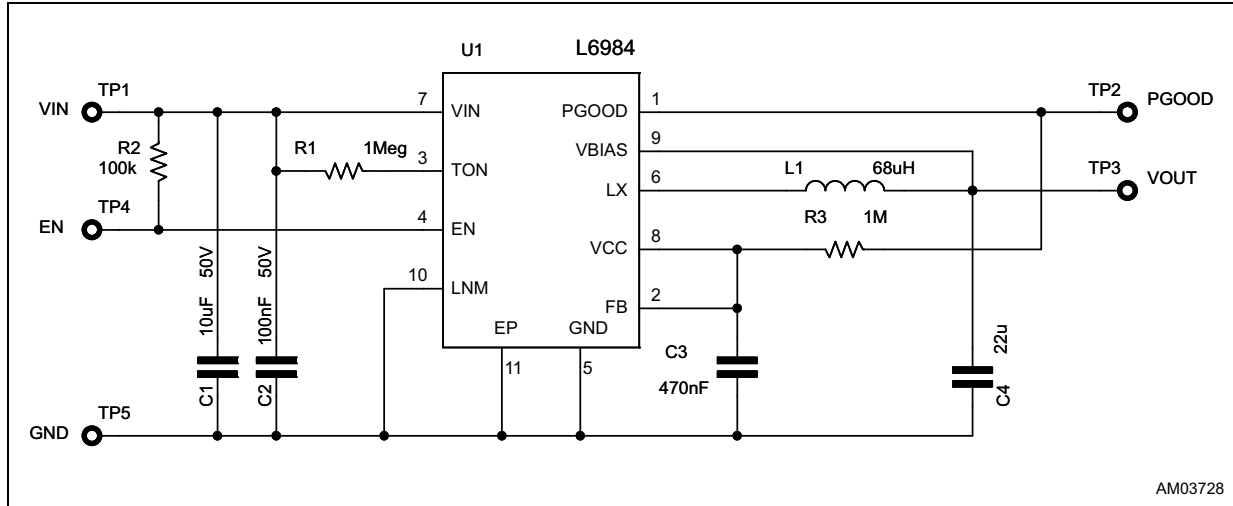


CO25949

### 3.1 Output voltage adjustment

No external resistor divider is required to regulate fixed 3.3 V output voltage, connecting FB to the V<sub>CC</sub> pin and V<sub>BIAS</sub> to the regulated output voltage (see [Figure 1 on page 1](#)). An external voltage divider otherwise implements the output voltage adjustability.

Figure 4. Internal voltage divider for 3.3 V output voltage



The error amplifier reference voltage is 0.9 V typical.

The output voltage is adjusted accordingly with the following formula (see [Figure 6](#)):

Equation 1

$$V_{OUT} = 0.9 \cdot \left(1 + \frac{R_3}{R_2}\right)$$

#### 3.1.1 Maximum output voltage

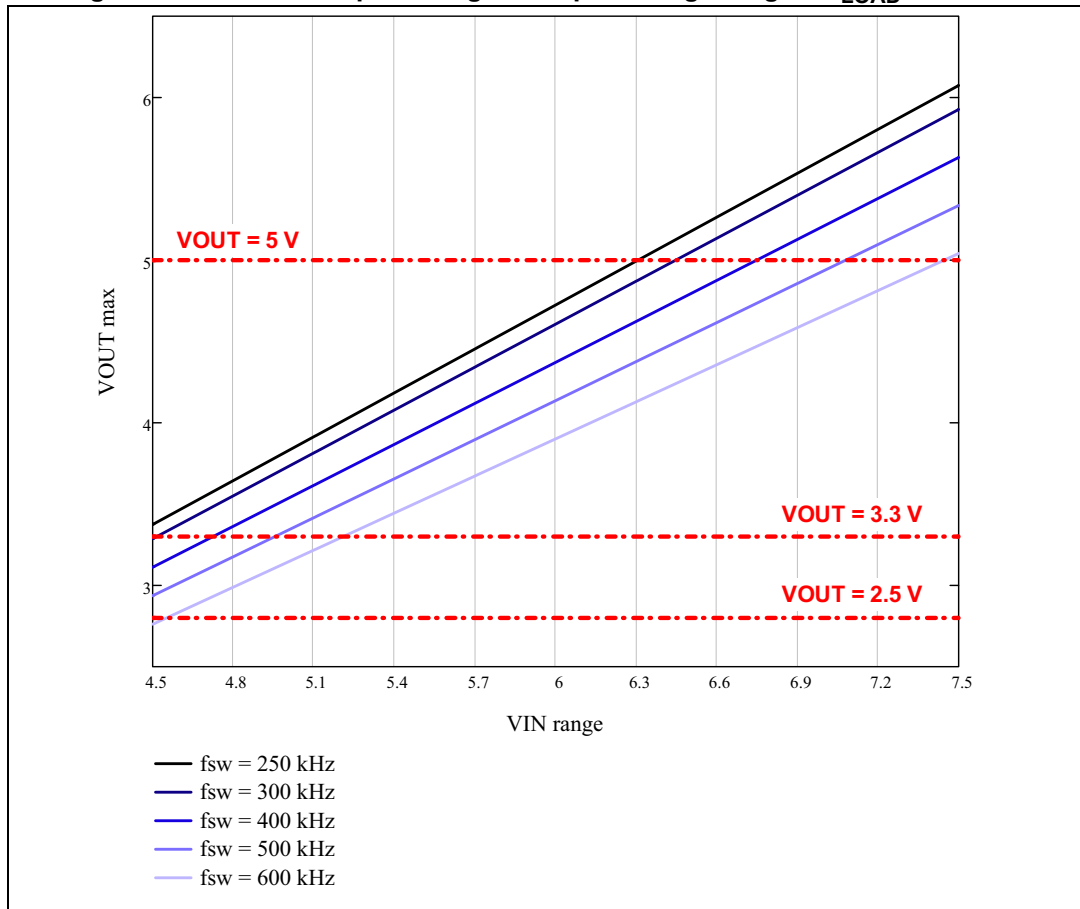
The constant on-time control scheme naturally requires a minimum cycle-by-cycle off time to sense the feedback voltage and properly driving the switching activity.

The L6984 minimum off time, as reported in [Table 2 on page 5](#), is 300 nsec typical and 400 nsec max.

The control loop generates the proper PWM signal to regulate the programmed output voltage over the application conditions. Since the power losses are proportional to the delivered output power, the duty cycle increases with the load current request.

The fixed minimum off time limits the maximum duty cycle, so the maximum output voltage, depending on the selected switching frequency (see [Section 3.2](#)).

[Figure 5](#) shows the worst case scenario for maximum output voltage limitation over the input voltage range, that happens at the maximum current request and considering the upper datasheet limit time for the minimum off time parameter.

Figure 5. Maximum output voltage vs. input voltage range at  $I_{LOAD} = 400\text{ mA}$ 

### 3.1.2 Leading network

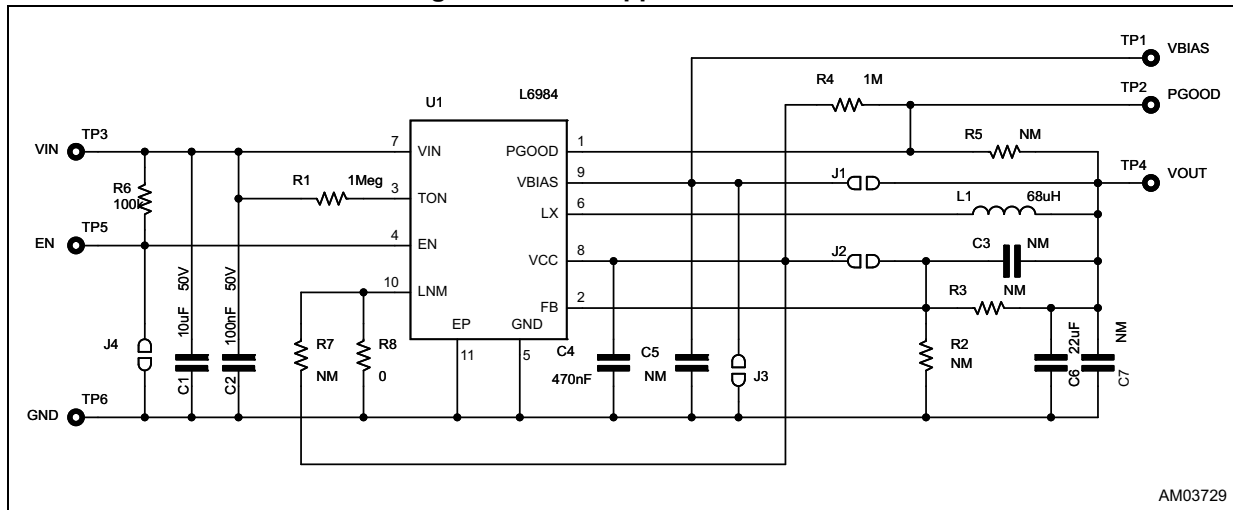
The small signal contribution of a simple voltage divider is:

#### Equation 2

$$G_{DIV}(s) = \frac{R_2}{R_2 + R_3}$$

A small signal capacitor in parallel to the upper resistor (see C3 in [Figure 6](#)) of the voltage divider implements a leading network ( $f_{zero} < f_{pole}$ ) that can improve the dynamic regulation for boundary application conditions (high  $f_{SW}$  / high duty cycle conversion) and improves the SNR for the feedback comparator operation, entirely coupling the high frequency output voltage ripple without the resistive divider attenuation.

Figure 6. L6984 application circuit



Laplace transformer of the leading network:

Equation 3

$$G_{DIV}(s) = \frac{R_2}{R_2 + R_3} \cdot \frac{(1 + s \cdot R_3 \cdot C_{R3})}{\left(1 + s \cdot \frac{R_2 \cdot R_3}{R_2 + R_3} \cdot C_{R3}\right)}$$

where:

Equation 4

$$f_Z = \frac{1}{2 \cdot \pi \cdot R_3 \cdot C_{R3}}$$

$$f_P = \frac{1}{2 \cdot \pi \cdot \frac{R_2 \cdot R_3}{R_2 + R_3} \cdot C_{R3}}$$

$$f_Z < f_P$$

The R2, R3 compose the voltage divider. C<sub>R3</sub> is calculated as (see [Section 4.3.2: COUT specification and loop stability on page 36](#) for C<sub>OUT</sub> selection):

Equation 5

$$C_{R3} = 28 \cdot 10^{-3} \cdot \frac{V_{OUT} \cdot C_{OUT}}{R_3}$$

## 3.2 Control loop

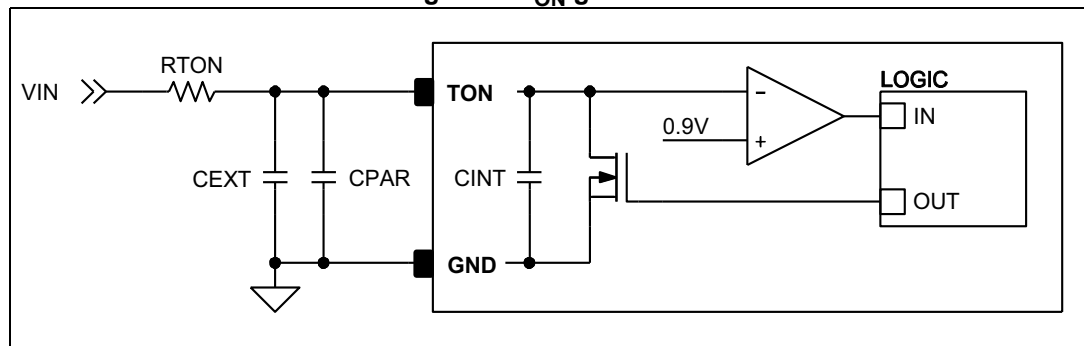
The L6984 device is based on a constant on-time control loop with frequency feed-forward correction over the input voltage range. As a consequence the on-time generator compensates the input voltage variations in order to adapt the duty cycle and so keeping the switching frequency almost constant over the input voltage range.

The general constraint for converters based on the COT architecture is the selection of the output capacitor with an ESR high enough to guarantee a proper output voltage ripple for the noiseless operation of the internal PWM comparator. The L6984 innovative control loop otherwise supports the output ceramic capacitors with the negligible ESR.

The device generates a  $T_{ON}$  duration switching pulse as soon as the voltage ripple drops below the valley voltage threshold.

The L6984 on-time is internally generated as shown in [Figure 7](#).

**Figure 7.  $T_{ON}$  generator**



where  $R_{TON}$  represents the external resistor connected between the  $V_{IN}$  and  $T_{ON}$  pins,  $C_{INT}$  is the integrated capacitor,  $C_{PAR}$  the pin parasitic capacitor of the board trace at the pin 3.

The overall contribution of the  $C_{PAR}$  and  $C_{INT}$  for the L6984 device soldered on the STM evaluation board is 7.5 pF typical but the precise value depends on the parasitic capacitance connected at the pin 3 ( $T_{ON}$ ) that may depend on the implemented board layouts.

As a consequence, a further fine tune of the  $R_{TON}$  value with the direct scope measurement is required for precise fsw adjustment accordingly with the designed board layout.

The ON time can be calculated as:

### Equation 6

$$T_{ON} = \frac{0.9 \cdot R_{TON} \cdot C_{TON}}{V_{IN}} = \frac{0.9 \cdot R_{TON} \cdot (C_{INT} + C_{PAR})}{V_{IN}} \cong \frac{0.9 \cdot R_{TON} \cdot 7.5\text{pF}}{V_{IN}}$$

The natural feedforward of the generator in [Figure 7](#) corrects the fixed  $T_{ON}$  time with the input voltage to achieve almost constant switching frequency over the input voltage range.

On the other hand, the PWM comparator (see [Figure 3 on page 11](#)) in the closed loop operation modulates the  $T_{OFF}$  time, given the programmed  $T_{ON}$ , to compensate conversion losses (i.e. conduction, switching, inductor losses, etc.) that are proportional to the output current.

As a consequence the switching frequency slightly depends on the conversion losses:

**Equation 7**

$$f_{SW}(I_{OUT}) = \frac{D_{REAL}(I_{OUT})}{T_{ON}}$$

where  $D_{REAL}$  is the real duty cycle accounting conduction losses:

**Equation 8**

$$D_{REAL}(I_{OUT}) = \frac{V_{OUT} + (R_{ON\_LS} + DCR) \cdot I_{OUT}}{V_{IN} + (R_{ON\_LS} - R_{ON\_HS}) \cdot I_{OUT}}$$

$R_{ON\_HS}$  and  $R_{ON\_LS}$  represent the RDSON value of the embedded power elements (see [Table 5 on page 7](#)) and DCR the equivalent series resistor of the selected inductor.

Finally from [Equation 7](#) and [Equation 8](#):

**Equation 9**

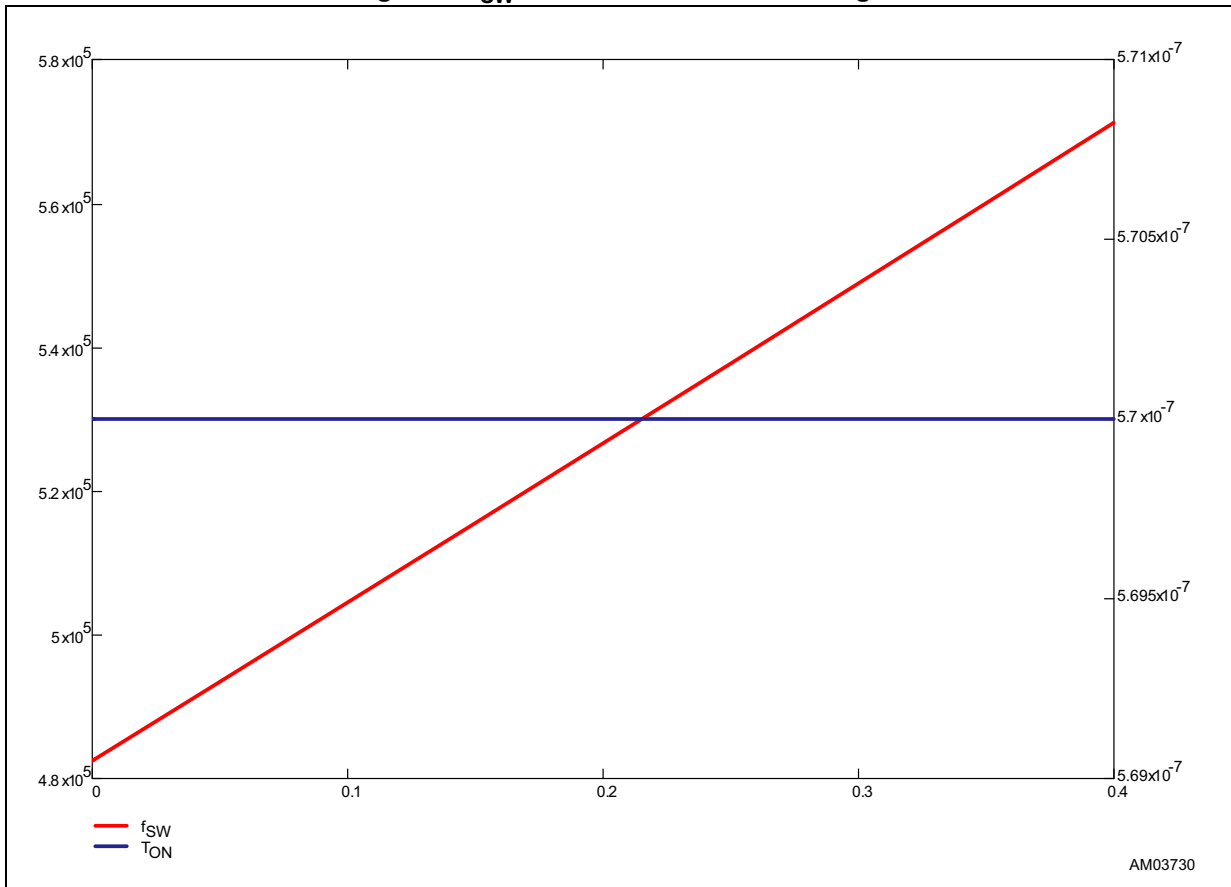
$$R_{TON} = \frac{1}{0.9} \cdot \frac{V_{IN} \cdot D_{REAL}(I_{OUT})}{f_{SW} \cdot C_{TON}}$$

where  $f_{SW}$  is the desired switching frequency at a certain  $I_{OUT}$  load current level.

[Figure 8](#) shows the estimated  $f_{SW}$  variation over the load range assuming the typical RDSON of the power elements, DCR = 420 mΩ (see [Section 5 on page 37](#) for details of the selected inductor for the reference application board.) and  $R_{TON} = 1$  Meg.



Figure 8.  $f_{SW}$  variation over the load range



A general requirement for those applications compatible with humid environment, is to limit the maximum resistor value to minimize the resistor variation determined by the leakage path.

An optional external capacitor  $C_{TON} \gg (C_{INT} + C_{PAR})$  connected as shown in [Figure 9](#) helps to limit the  $R_{TON}$  value and also minimizes the  $f_{sw}$  variation with the p.c.b. parasitic components  $C_{PAR}$ .

Figure 9.  $T_{ON}$  generator with optional capacitor

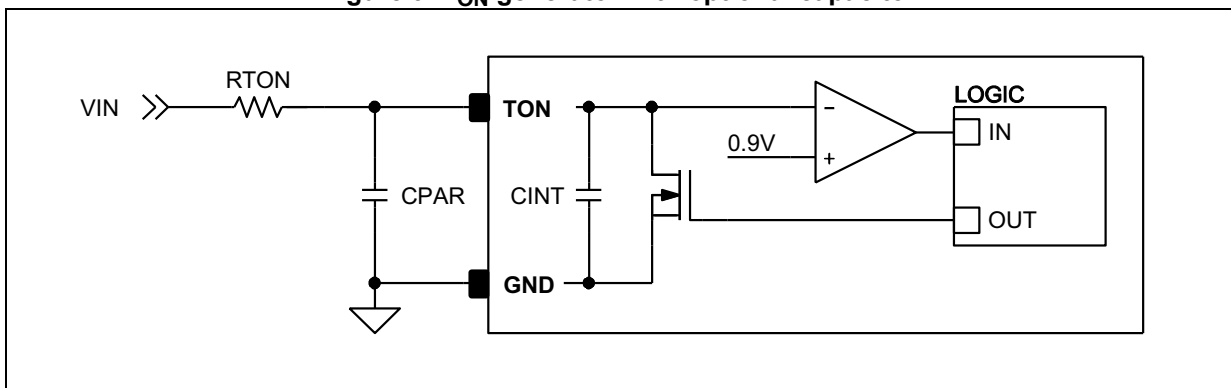
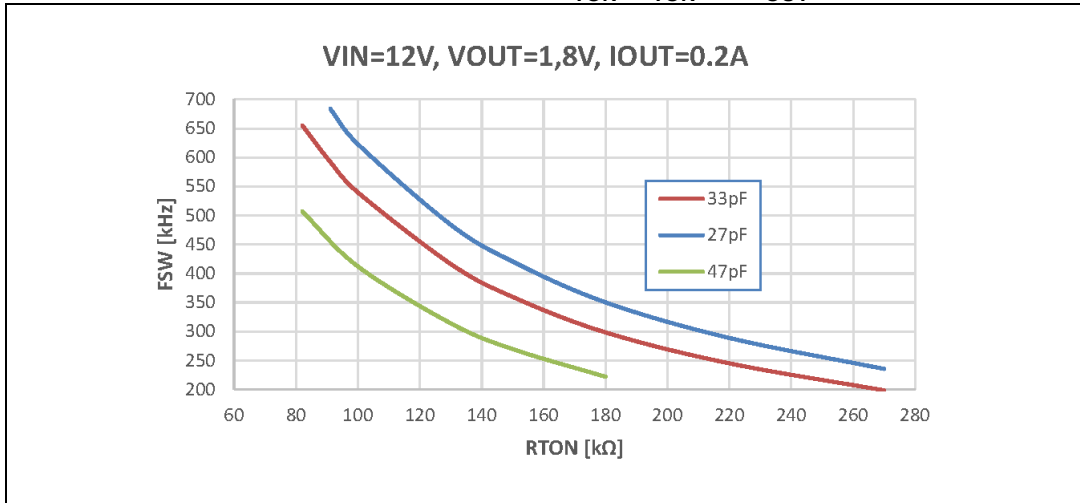


Figure 10, Figure 11, Figure 12 and Figure 13 show the numeric example to program the switching frequency accordingly with the  $R_{TON}$ ,  $C_{TON}$  pair selection.

The eDesignSuite online tool supports the L6984 and  $R_{TON}$ ,  $C_{TON}$  dimensioning for proper switching frequency selection (see [http://www.st.com/content/st\\_com/en/support/resources/edesign.html?sc=edesignsuite](http://www.st.com/content/st_com/en/support/resources/edesign.html?sc=edesignsuite)).

**Figure 10. Example to select  $R_{TON}$ ,  $C_{TON}$  for  $V_{OUT} = 1.8\text{ V}$**



**Figure 11. Example to select  $R_{TON}$ ,  $C_{TON}$  for  $V_{OUT} = 3.3\text{ V}$**

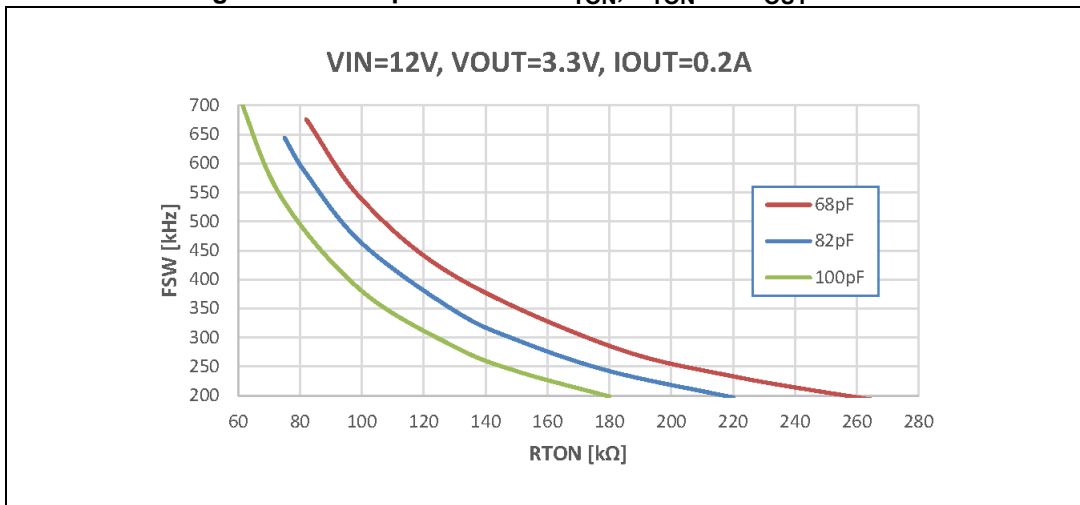
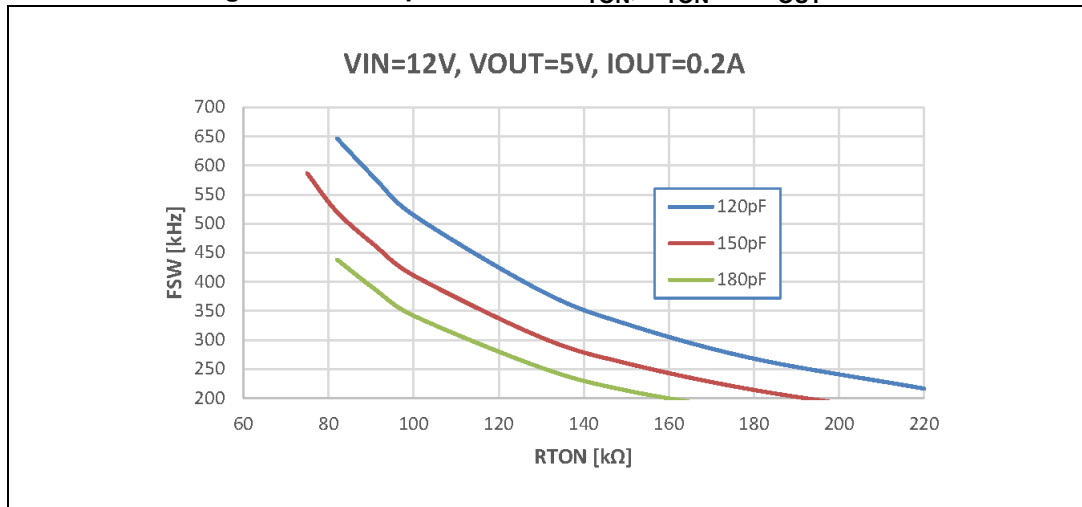
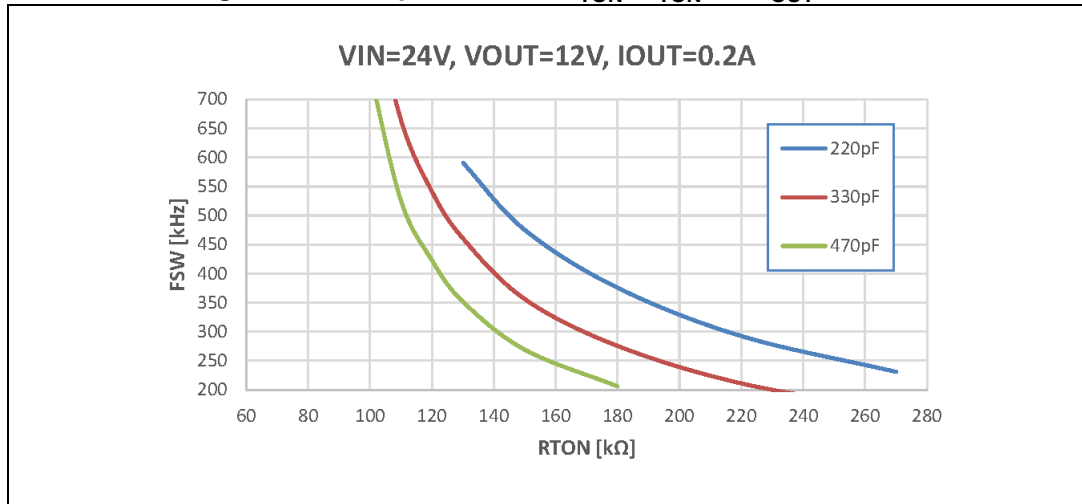


Figure 12. Example to select  $R_{TON}$ ,  $C_{TON}$  for  $V_{OUT} = 5\text{ V}$ Figure 13. Example to select  $R_{TON}$ ,  $C_{TON}$  for  $V_{OUT} = 12\text{ V}$ 

### 3.3 Optional virtual ESR network

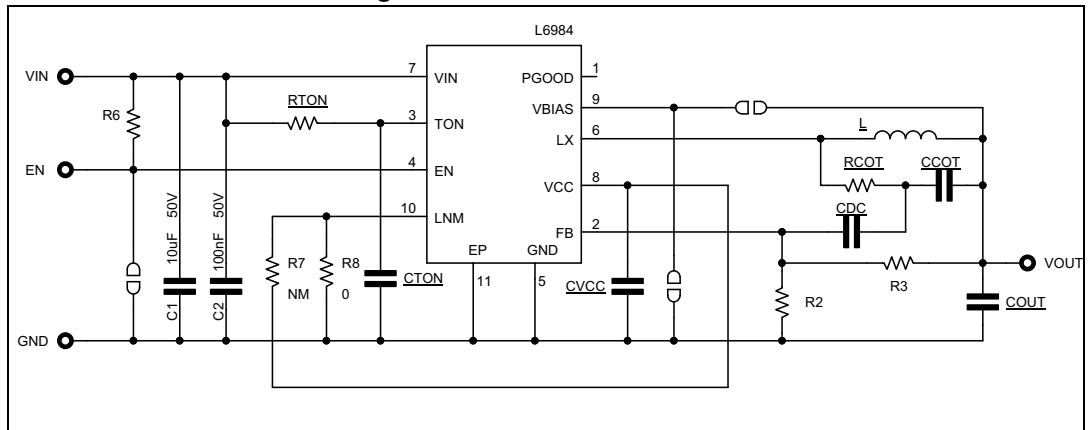
A standard COT loop requires a high ESR output capacitor to generate a proper PWM signal.

The L6984 architecture naturally supports output ceramic capacitors with the negligible ESR generating an internal voltage ramp proportional to the inductor current to emulate a high ESR output capacitor for the proper PWM comparator operation.

The control scheme is designed to guarantee the minimum signal for the PWM comparator cycle-by-cycle operation with controlled duty cycle jitter, that is a natural duty cycle dithering that helps to reduce the switching noise emission for EMC.

If required, an optional external virtual ESR network (see [Figure 14](#)) can be designed to generate a higher signal for the PWM comparator operation and remove the duty cycle dithering. This network requires the external voltage divider to set the output voltage and supports the LNM and LCM device operation.

Figure 14. Virtual ESR network

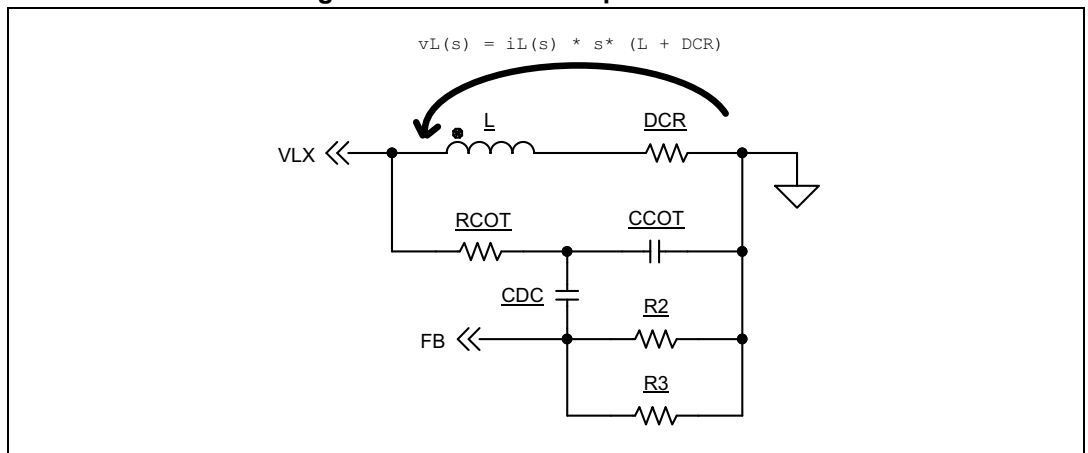


The  $C_{DC}$  capacitor decouples the feedback DC path through the  $R_{COT}$  so the output voltage is adjusted accordingly with [Section 3.1 on page 12](#).

Basically the network  $R_{COT}$ ,  $C_{COT}$  generates a voltage signal proportional to the inductor current ripple and superimposed with the real partitioned output voltage that increases the SNR at the input of the PWM comparator. As a consequence the PWM converter commutation is clean, removing the duty cycle dithering.

For the purpose of the signal generated by the  $R_{COT}$  and  $C_{COT}$  the output capacitor represents a virtual ground so the equivalent small signal circuit of the output of the virtual ESR network is shown in [Figure 15](#).

Figure 15. Virtual ESR equivalent circuit



The switching activity drives the inductor voltage so the small signal transfer function can be calculated as:

Equation 10

$$H(s) = \frac{v_{FB}(s)}{i_L(s)} = \frac{(s \cdot L + DCR)}{R_{COT} + \frac{1}{s \cdot C_{COT} + \frac{1}{\frac{1}{s \cdot C_{DC}} + \frac{1}{\frac{1}{R_2} + \frac{1}{R_3}}}}} \cdot \frac{1}{s \cdot C_{COT} + \frac{1}{\frac{1}{s \cdot C_{DC}} + \frac{1}{\frac{1}{R_2} + \frac{1}{R_3}}}} \cdot \frac{1}{\frac{1}{R_2} + \frac{1}{R_3}}$$

[Equation 10](#) can be simplified as follows:

### Equation 11

$$H(s) = \frac{v_{FB}(s)}{i_L(s)} = \frac{(s \cdot L + DCR) \cdot s}{\left[ 1 + s \cdot \left( R_{COT} + \frac{1}{\frac{1}{R_2} + \frac{1}{R_3}} \right) \cdot C_{DC} \right] \cdot \left[ 1 + s \cdot \left( \frac{1}{\frac{1}{R_2} + \frac{1}{R_3} + \frac{1}{R_{COT}}} \right) \cdot C_{COT} \right]} \cdot \frac{C_{DC}}{\frac{1}{R_2} + \frac{1}{R_3}}$$

The pole splitting is guaranteed by the condition:

### Equation 12

$$C_{DC} > 10 \cdot C_{COT}$$

$$R_{COT} > 10 \cdot \frac{1}{R_2} + \frac{1}{R_3}$$

In case:

### Equation 13

$$f_z = \frac{1}{2 \cdot \pi} \cdot \frac{L}{DCR} \ll f_{sw}$$

$$f_{PL} = \frac{1}{2 \cdot \pi \cdot R_{COT} + \frac{1}{\frac{1}{R_2} + \frac{1}{R_3}} \cdot C_{DC}} \ll f_{sw}$$

$$f_{PH} = \frac{1}{2 \cdot \pi \cdot \left( \frac{1}{\frac{1}{R_2} + \frac{1}{R_3} + \frac{1}{R_{COT}}} \right) \cdot C_{COT}} \ll f_{sw}$$

[Equation 10](#) can be simplified as:

### Equation 14

$$ESR_{VRT} = H(s)_{s \rightarrow (2 \cdot \pi \cdot f_{sw})} = \left( \frac{v_{FB}(s)}{i_L(s)} \right)_{s \rightarrow (2 \cdot \pi \cdot f_{sw})} = \frac{L}{R_{COT} \cdot C_{COT}}$$

that represents the virtual ESR of the network in [Figure 14](#).

As a consequence the injected triangular voltage ripple in the FB is:

### Equation 15

$$V_{FB\_RIPPLE}(V_{IN}) = I_{L\_RIPPLE} \cdot ESR_{VRT} = \frac{V_{IN} - V_{OUT}}{R_{COT} \cdot C_{COT}} \cdot \frac{V_{OUT}}{V_{IN}} \cdot \frac{1}{f_{sw}}$$

that does not depend on the  $R_2$ ,  $R_3$ ,  $C_{DC}$ ,  $L$  and  $DCR$ .

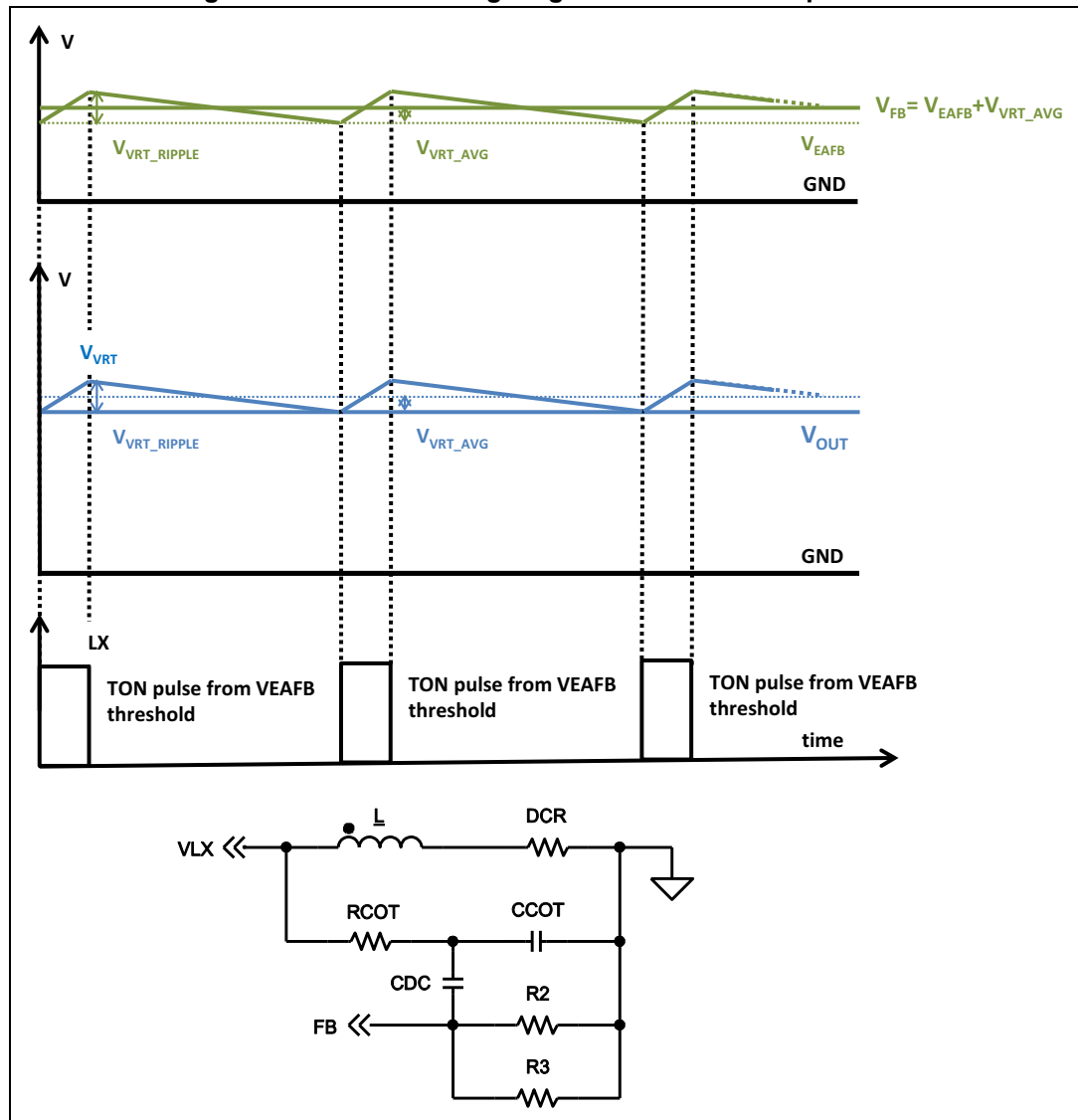
A virtual ESR network able to guarantee a peak-to-peak signal higher than 20 mV at the FB pin removes any duty cycle dithering at the switching node.

### Output voltage accuracy and optimized resistor divider

The constant on-time control scheme implements valley output voltage regulation: the internal comparator monitors the FB voltage cycle-by-cycle and generates a fixed  $T_{ON}$  pulse if the sensed voltage drops below the internal voltage reference ( $V_{EAFB} = 0.9\text{ V}$  typical).

The virtual ESR network generates a signal proportional to the inductor current that is AC coupled to the FB pin through the  $C_{DC}$  capacitor (refer to [Section 3.3](#) for dimensioning rules) and superimposed on the voltage divider contribution as shown in [Figure 16](#).

Figure 16. Virtual ESR signal generation in CCM operation



In the CCM operation, the average value for the triangular signal in [Equation 15](#) is:

Equation 16

$$V_{FB\_AVG}(V_{IN}) = \frac{1}{2} \cdot \frac{V_{IN} - V_{OUT}}{R_{COT} \cdot C_{COT}} \cdot \frac{V_{OUT}}{V_{IN}} \cdot \frac{1}{f_{sw}}$$

so the output voltage is calculated as:

**Equation 17**

$$V_{OUT} = (0.9 + V_{FB_{AVG}}(V_{IN})) \cdot \left(1 + \frac{R_3}{R_2}\right)$$

that shows the average injected ripple enters in the divider calculation.

In addition, since the virtual FB ripple depends on the input voltage (the switching frequency is almost constant, see [Section 3.2 on page 15](#)) its contribution affects the average output voltage regulation.

In the low noise mode (for LNM operation refer to [Section 3.6.2 on page 29](#)) the regulator operates in the forced PWM over the load range so:

**Equation 18**

$$\begin{cases} V_{OUTMIN} = (0.9 + V_{FB_{AVG}}(V_{INMIN})) \cdot \left(1 + \frac{R_3}{R_2}\right) \\ V_{OUTMAX} = (0.9 + V_{FB_{AVG}}(V_{INMAX})) \cdot \left(1 + \frac{R_3}{R_2}\right) \end{cases}$$

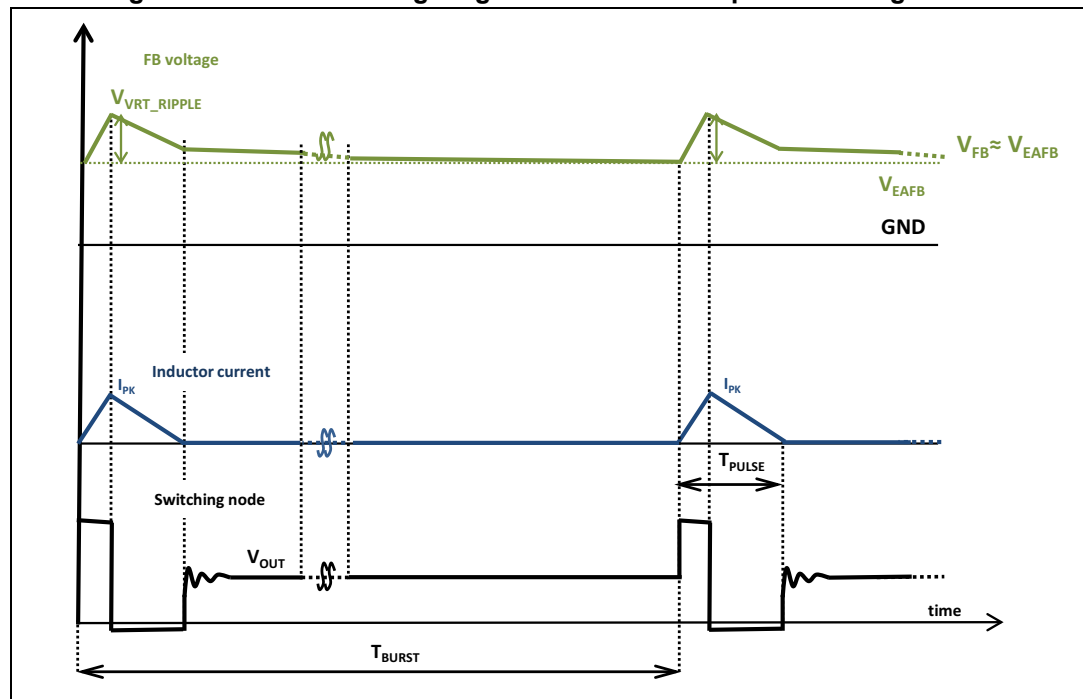
and the accuracy can be estimated as:

**Equation 19**

$$\Delta V_{OUT-LNM} = \left(\frac{1}{2} \cdot \frac{V_{OUT}}{f_{SW} \cdot R_{COT} \cdot C_{COT}}\right) \cdot \left(\frac{V_{INMAX} - V_{OUT}}{V_{INMAX}} - \frac{V_{INMIN} - V_{OUT}}{V_{INMIN}}\right) \cdot \left(1 + \frac{R_3}{R_2}\right)$$

In the low consumption mode (for LCM operation refer to [Section 3.6.1 on page 28](#)) the regulator skips pulses at the light load to increase the efficiency.

**Figure 17. Virtual ESR signal generation in LCM operation at light load**



In the LCM operation the virtual ripple contributes to the regulated output voltage as follows:

**Equation 20**

$$\begin{cases} V_{\text{OUTMIN}} = \left(0.9 + \frac{1}{2} \cdot \text{VFB}_{\text{RIPPLE}}(V_{\text{IN}}) \cdot \frac{T_{\text{PULSE}}}{T_{\text{BURST}}}\right) \cdot \left(1 + \frac{R_3}{R_2}\right) \approx 0.9 \cdot \left(1 + \frac{R_3}{R_2}\right) \\ V_{\text{OUTMAX}} = (0.9 + \text{VFB}_{\text{AVG}}(V_{\text{INMAX}})) \cdot \left(1 + \frac{R_3}{R_2}\right) \end{cases}$$

since  $T_{\text{PULSE}} \ll T_{\text{BURST}}$  at zero loading condition.

So the accuracy can be calculated as:

**Equation 21**

$$\Delta V_{\text{OUT-LCM}} = \text{VFB}_{\text{AVG}}(V_{\text{INMAX}}) \cdot \left(1 + \frac{R_3}{R_2}\right)$$

*Equation 18*, *Equation 19* for the LNM and *Equation 20*, *Equation 21* for the LCM allow to dimension the FB voltage divider and virtual ESR contribution given the acceptable output voltage accuracy over the application input voltage range.

The DesignSuite on-line simulation tool (see [http://www.st.com/content/st\\_com/en/support/resources/edesign.html?sc=edesignsuite](http://www.st.com/content/st_com/en/support/resources/edesign.html?sc=edesignsuite)) supports the design based on the L6984 device by inserting the required electrical specifications of the final application. The interface is based on a fully annotated and interactive schematic and the output provides a complete set of the analysis diagram to estimate the electrical, thermal and efficiency performance.

Moreover, it is possible to design the optional virtual ESR network based on the output voltage specification in terms of accuracy over the input voltage range.



### 3.4 Soft-start

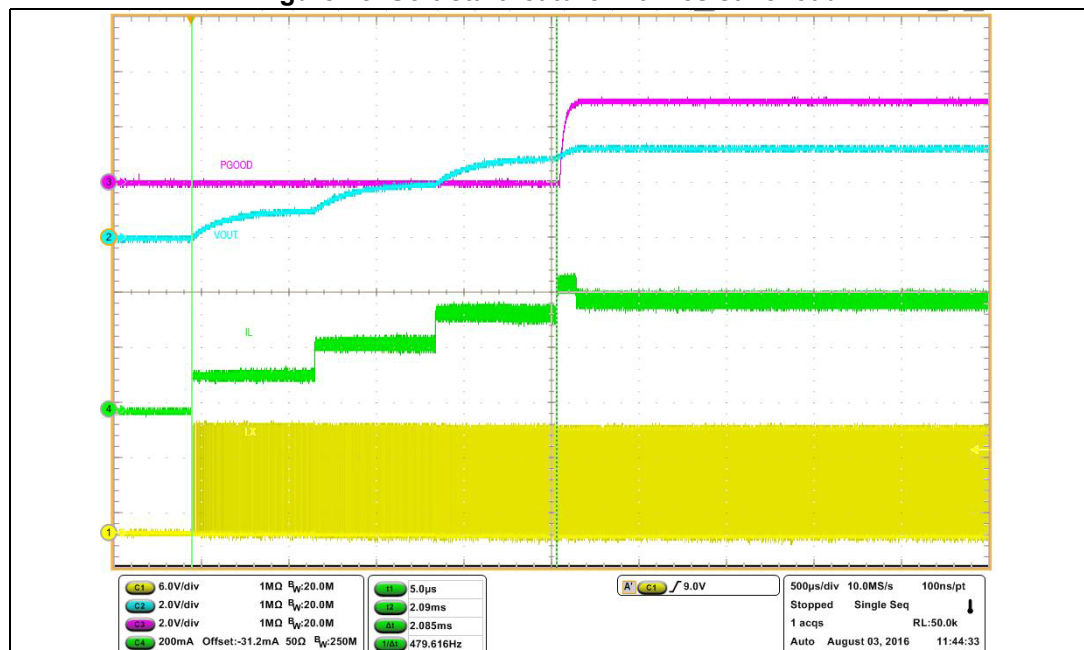
The soft-start feature minimizes the inrush current and decreases the stress of the power components during the power-up phase. The L6984 implements the soft-start clamping the device current limitation in four different steps in 2 msec time.

During normal operation a new soft-start cycle takes place in case of:

- Thermal shutdown event
- UVLO event
- EN pin rising

*Figure 18* shows the soft-start feature. The green trace represents the inductor current which shows different current protection thresholds.

**Figure 18. Soft-start feature with resistive load**



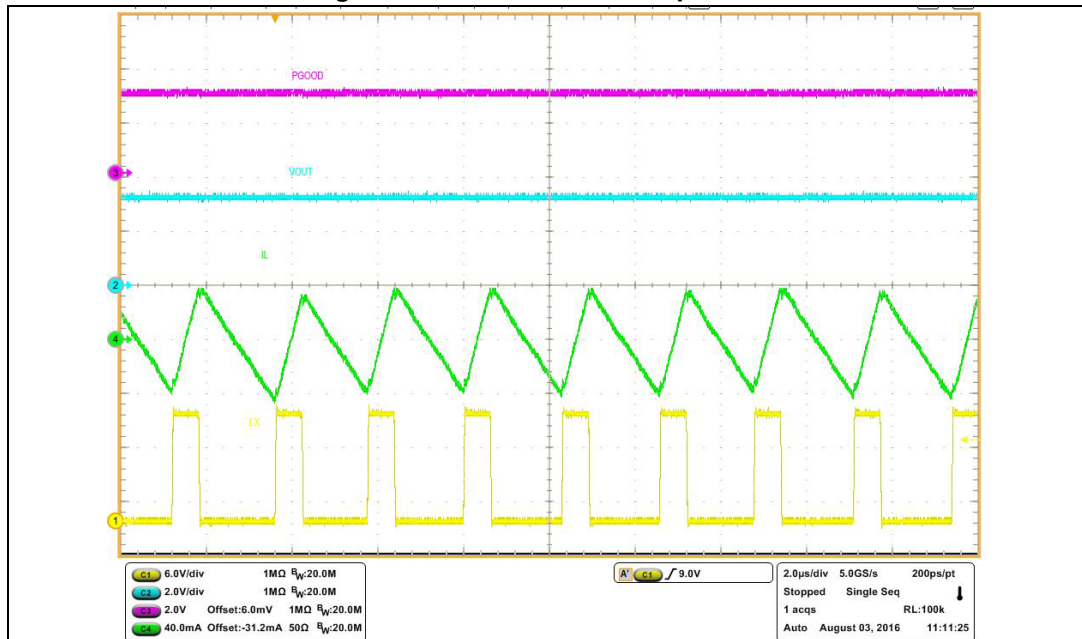
### 3.5 Light load operation

The LNM pinstrapping during the power-up phase determines the light load operation.

#### 3.5.1 Low noise mode (LNM)

Low noise mode implements a forced PWM operation over the different loading conditions. The LNM features a constant switching frequency to minimize the noise in the final application and a constant voltage ripple at fixed  $V_{IN}$ . The regulator in steady loading condition never skips pulses and it operates in continuous conduction mode (CCM) over the different loading conditions.

Figure 19. Low noise mode operation



Typical applications for the LNM operation are car audio, sensors.

### 3.5.2 Low consumption mode (LCM)

The low consumption mode maximizes the efficiency at the light load. As soon as the output voltage drops, the regulator generates a pulse to have the FB back in regulation. In order to minimize the current consumption in the LCM part of the internal circuitry is disabled in the time between bursts.

Figure 20. LCM operation at zero load

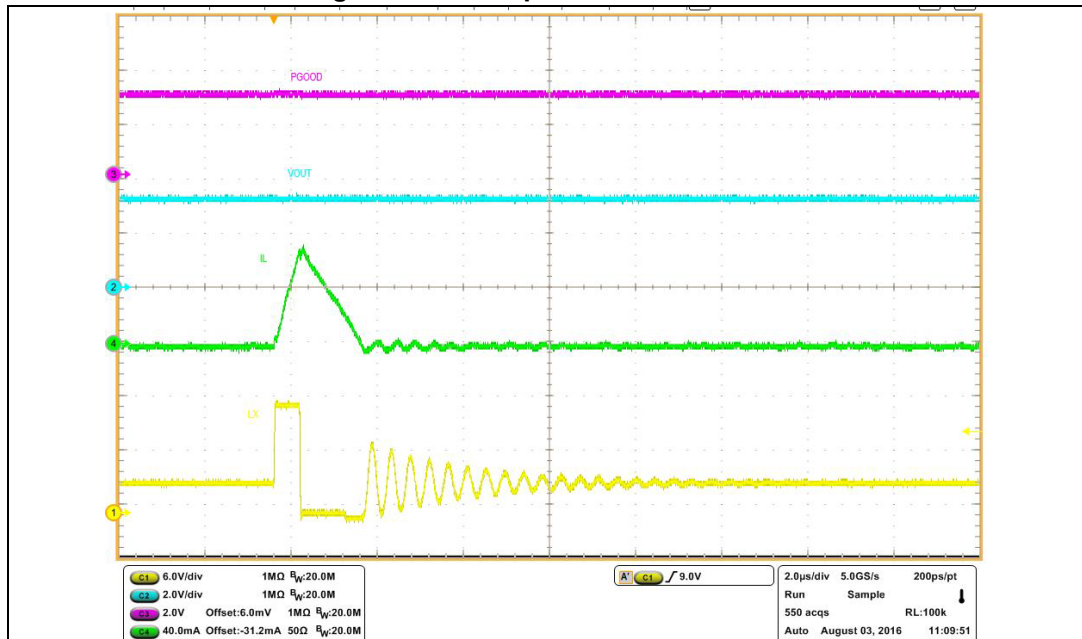
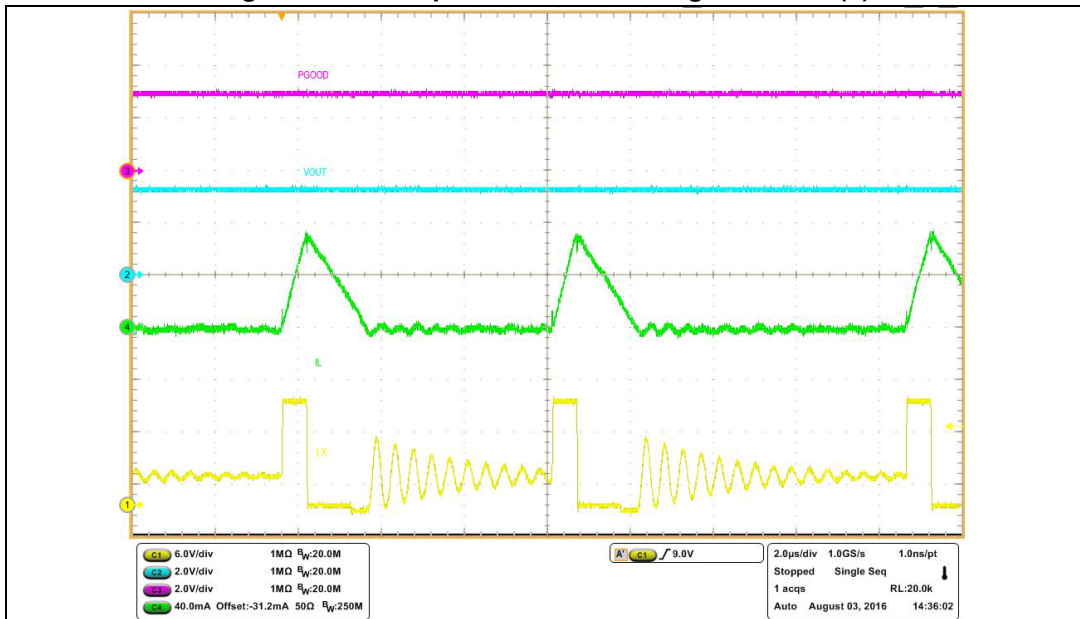


Figure 21. LCM operation over loading condition (1)

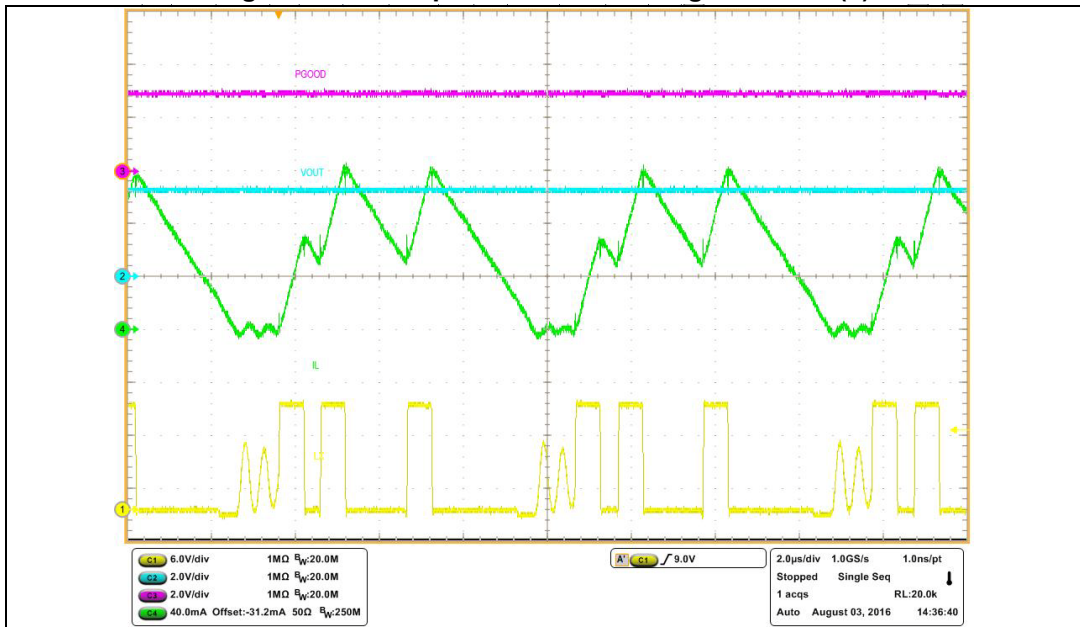


Given the energy stored in the inductor during a burst, the voltage ripple depends on the capacitor value:

Equation 22

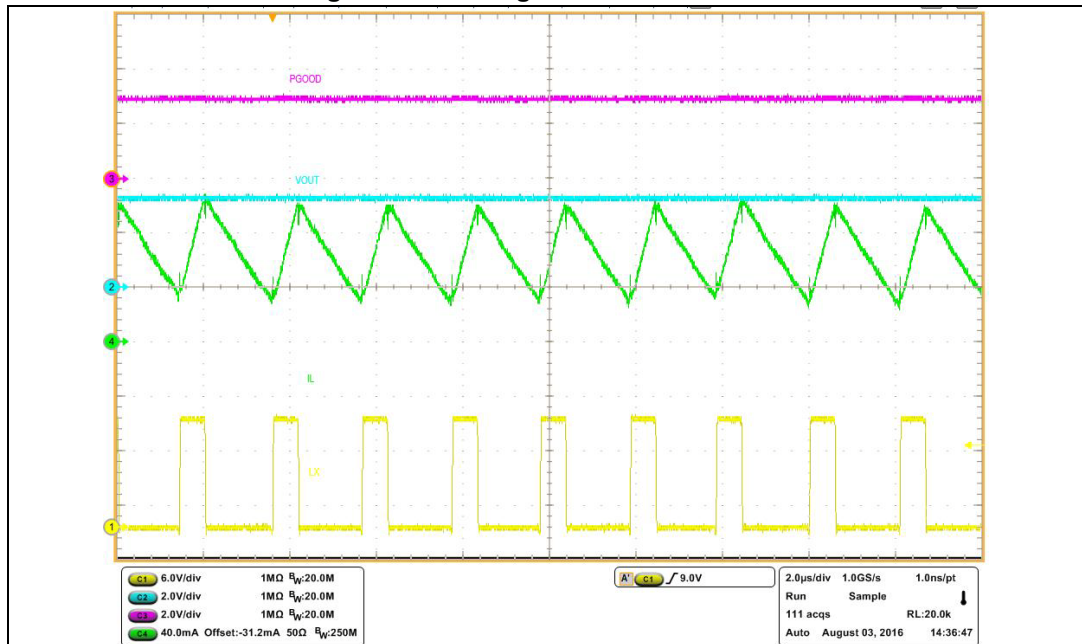
$$V_{OUT\ RIPPLE} = \frac{\Delta Q_{IL}}{C_{OUT}} = \frac{\int_0^{T_{BURST}} (i_L(t) \cdot dt)}{C_{OUT}}$$

Figure 22. LCM operation over loading condition (2)



When the load current is higher, the  $I_{RIPPLE}/2$  the regulator works in CCM.

Figure 23. The regulator works in CCM



### 3.6 Switchover feature

The switchover maximizes the efficiency at the light load that is crucial for LCM applications.

The main switching controller is supplied by the VCC pin regulator

An integrated LDO regulates VCC = 3.3 V if VBIAS voltage is < 2.4 V.

VCC is connected to VBIAS through a MOSFET switch if VBIAS > 3.2 V and the embedded LDO is disabled to increase the light load efficiency.

#### 3.6.1 LCM

The LCM operation satisfies the requirements of battery powered applications where it is crucial to increase the efficiency at the light load.

In order to minimize the regulator quiescent current request from the input voltage, the VBIAS pin can be connected to an external voltage source in the range  $3\text{ V} < V_{\text{BIAS}} < 5.5\text{ V}$ .

In case the VBIAS pin is connected to the regulated output voltage ( $V_{\text{OUT}}$ ), the total current drawn from the input voltage can be calculated as:

#### Equation 23

$$I_{Q\text{ VIN}} = I_{Q\text{ OP VIN}} + \frac{1}{\eta_{L6984}} \cdot \frac{V_{\text{BIAS}}}{V_{\text{IN}}} \cdot I_{Q\text{ OP VBIAS}}$$

where  $I_{Q\text{ OP VIN}}$ ,  $I_{Q\text{ OP VBIAS}}$  are defined in [Table 5: Electrical characteristics on page 7](#) and  $\eta_{L6984}$  is the efficiency of the conversion in the working point.

### 3.6.2 LNM

Equation 23 is also valid when the device works in LNM and it can boost the efficiency at the medium load since the regulator always operates in continuous conduction mode.

## 3.7 Overcurrent protection

The current protection circuitry features a constant current protection, so the device limits the maximum current (see Table 5: Electrical characteristics on page 7) in overcurrent condition.

The low-side switch pulse-by-pulse current sensing, called “valley”, implements the constant current protection. In overcurrent condition the internal logic keeps the low-side switch conducting as long as the switch current is higher than the valley current threshold.

As a consequence the maximum DC output current is:

Equation 24

$$I_{MAX} = I_{VALLEY\_TH} + \frac{I_{RIPPLE}}{2} = I_{VALLEY\_TH} + \frac{V_{IN} - V_{OUT}}{L} \cdot T_{ON}$$

Figure 24. Constant current operation in dynamic short-circuit

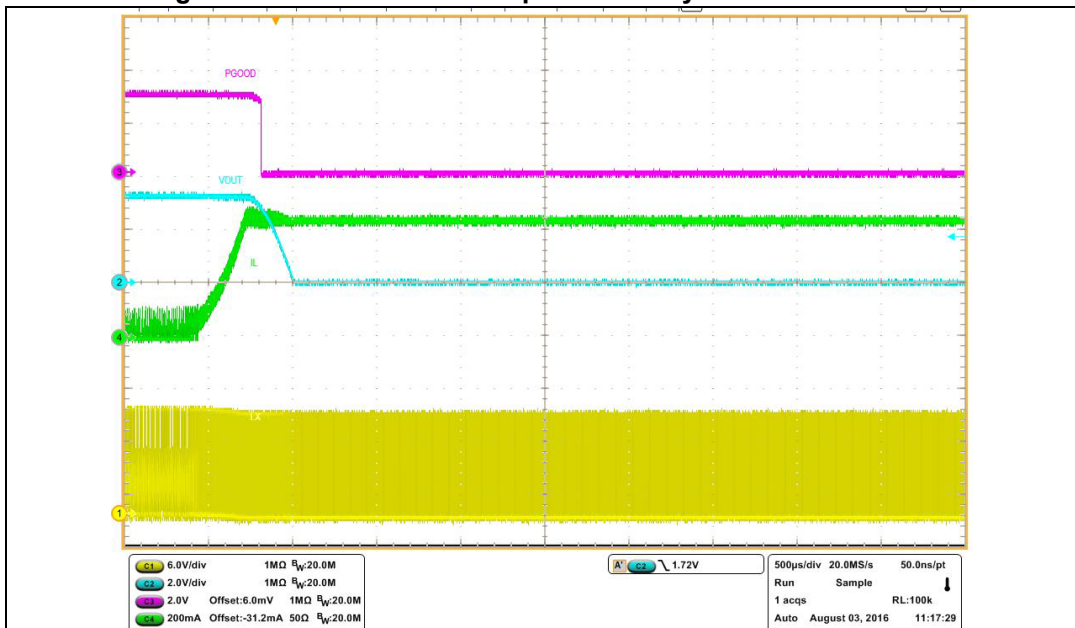
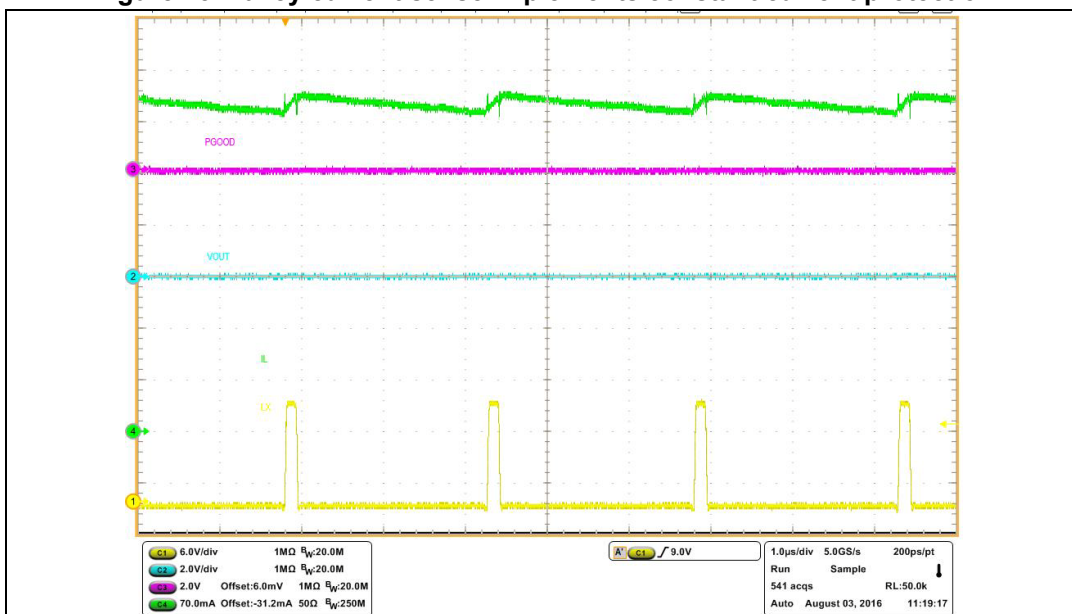


Figure 25. Valley current sense implements constant current protection



### 3.8 PGOOD

The internal circuitry monitors the regulated output voltage and keeps the PGOOD open collector output in low impedance as long as the feedback voltage is below the  $V_{PGD L}$  threshold (see [Table 5 on page 7](#)).

Figure 26. PGOOD behavior during soft-start time with electronic load



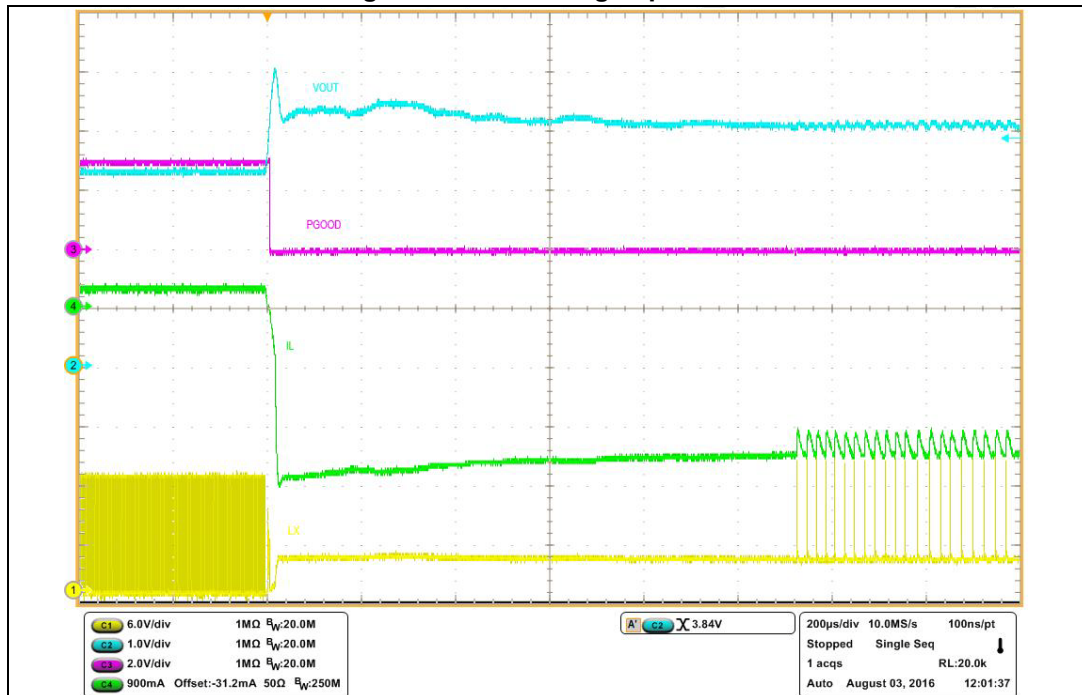
The PGOOD is driven low impedance if  $V_{FB} = V_{CC}$  (internal voltage divider, see [Section 3.1 on page 12](#)) and  $V_{BIAS} > V_{PGD H}$  threshold (see [Table 5](#)).

The  $V_{PGD H}$  threshold has no effect on PGOOD behavior in case the external voltage divider is being used.

### 3.9 Overvoltage protection

The overvoltage protection monitors the FB pin and enables the low-side MOSFET to discharge the output capacitor if the output voltage is 20% over the nominal value. A new soft-start takes place after the OVP event ends.

Figure 27. Overvoltage operation



The OVP feature is a second level protection and should never be triggered in normal operating conditions if the system is properly dimensioned. In other words, the selection of the external power components and the dynamic performance should guarantee an output voltage regulation within the overvoltage threshold even during the worst case scenario in term of load transitions.

The protection is reliable and also able to operate even during normal load transitions for a system whose dynamic performance is not in line with the load dynamic request. As a consequence the output voltage regulation would be affected.

In [Figure 27](#) the PGOOD output is driven in low impedance (refer to [Section 3.8](#)) as long as the OVP event is present ( $V_{FB} = V_{CC}$ , that is an internal resistor divider for  $V_{OUT} = 3.3\text{ V}$ ).

### 3.10 Thermal shutdown

The shutdown block disables the switching activity if the junction temperature is higher than a fixed internal threshold (150 °C typical). The thermal sensing element is close to the power elements, ensuring fast and accurate temperature detection. A hysteresis of approximately 20 °C prevents the device from turning ON and OFF continuously. When the thermal protection runs away a new soft-start cycle will take place.



## 4 Design of the power components

### 4.1 Input capacitor selection

The input capacitor voltage rating must be higher than the maximum input operating voltage of the application. During the switching activity a pulsed current flows into the input capacitor and so its RMS current capability must be selected accordingly with the application conditions. Internal losses of the input filter depend on the ESR value, so usually low ESR capacitors (like multilayer ceramic capacitors) have a higher RMS current capability. On the other hand, given the RMS current value, lower ESR input filter has lower losses and so contributes to higher conversion efficiency.

The maximum RMS input current flowing through the capacitor can be calculated as:

#### Equation 25

$$I_{\text{RMS}} = I_{\text{O}} \cdot \sqrt{D - \frac{2 \cdot D^2}{\eta} + \frac{D^2}{\eta^2}}$$

Where  $I_{\text{O}}$  is the maximum DC output current,  $D$  is the duty cycles,  $\eta$  is the efficiency. This function has a maximum at  $D = 0.5$  and, considering  $\eta = 1$ , it is equal to  $I_{\text{O}}/2$ .

In a specific application the range of possible duty cycles has to be considered in order to find out the maximum RMS input current. The maximum and minimum duty cycles can be calculated as:

#### Equation 26

$$D_{\text{MAX}} = \frac{V_{\text{OUT}} + \Delta V_{\text{LOW\_SIDE}}}{V_{\text{INMIN}} + \Delta V_{\text{LOW\_SIDE}} - \Delta V_{\text{HIGH\_SIDE}}}$$

and

#### Equation 27

$$D_{\text{MIN}} = \frac{V_{\text{OUT}} + \Delta V_{\text{LOW\_SIDE}}}{V_{\text{INMAX}} + \Delta V_{\text{LOW\_SIDE}} - \Delta V_{\text{HIGH\_SIDE}}}$$

Where  $\Delta V_{\text{HIGH\_SIDE}}$  and  $\Delta V_{\text{LOW\_SIDE}}$  are the voltage drops across the embedded switches.

The peak-to-peak voltage across the input filter can be calculated as:

#### Equation 28

$$V_{\text{PP}} = \frac{I_{\text{O}}}{C_{\text{IN}} \cdot f_{\text{SW}}} \cdot \left[ \left(1 - \frac{D}{\eta}\right) \cdot D + \frac{D}{\eta} \cdot (1 - D) \right] + \text{ESR} \cdot I_{\text{O}}$$

In case of negligible ESR (MLCC capacitor) the equation of  $C_{\text{IN}}$  as a function of the target  $V_{\text{PP}}$  can be written as follows:

#### Equation 29

$$C_{\text{IN}} = \frac{I_{\text{O}}}{V_{\text{PP}} \cdot f_{\text{SW}}} \cdot \left[ \left(1 - \frac{D}{\eta}\right) \cdot D + \frac{D}{\eta} \cdot (1 - D) \right]$$

Considering  $\eta = 1$  this function has its maximum in  $D = 0.5$ :

**Equation 30**

$$C_{IN\_MIN} = \frac{I_O}{2 \cdot V_{PP\_MAX} \cdot f_{SW}}$$

Typically  $C_{IN}$  is dimensioned to keep the maximum peak-to-peak voltage across the input filter in the order of 5%  $V_{IN\_MAX}$ .

**Table 6. Input capacitors**

Manufacture	Series	Size	Cap value ( $\mu$ F)	Rated voltage (V)
TDK	C3225X7S1H106M	1210	10	50
	C3216X5R1H106M	1206		
Taiyo Yuden	UMK325BJ106MM-T	1210		

## 4.2 Inductor selection

The inductor current ripple flowing into the output capacitor determines the output voltage ripple (please refer to [Section 4.3: Output capacitor selection](#)). Usually the inductor value is selected in order to keep the current ripple lower than 20% - 40% of the output current over the input voltage range. The inductance value can be calculated by the following equation:

**Equation 31**

$$\Delta I_L = \frac{V_{IN} - V_{OUT}}{L} \cdot T_{ON} = \frac{V_{OUT}}{L} \cdot T_{OFF}$$

Where  $T_{ON}$  and  $T_{OFF}$  are the on and off time of the internal power switch. The maximum current ripple, at fixed  $V_{OUT}$ , is obtained at maximum  $T_{OFF}$  that is at minimum duty cycle (see [Section 4.1](#) to calculate minimum duty). So fixing  $\Delta I_L = 20\%$  to  $40\%$  of the maximum output current, the minimum inductance value can be calculated:

**Equation 32**

$$L_{MIN} = \frac{V_{OUT}}{\Delta I_{MAX}} \cdot \frac{1 - D_{MIN}}{F_{SW}}$$

where  $F_{SW}$  is the switching frequency  $1/(T_{ON} + T_{OFF})$ .

For example for  $V_{OUT} = 3.3$  V,  $V_{IN} = 12$  V,  $I_O = 0.4$  A and  $F_{SW} = 600$  kHz the minimum inductance value to have  $\Delta I_L = 30\%$  of  $I_O$  is about 33  $\mu$ H.

The peak current through the inductor is given by:

**Equation 33**

$$I_{L,PK} = I_O + \frac{\Delta I_L}{2}$$

So if the inductor value decreases, the peak current (that has to be lower than the current limit of the device) increases. The higher is the inductor value, the higher is the average output current that can be delivered, without reaching the current limit.

In [Table 7](#) some inductor part numbers are listed.

**Table 7. Inductors**

Manufacturer	Series	Inductor value ( $\mu\text{H}$ )	Saturation current (A)
Coilcraft	LPS6225	47 to 150	0.98 to 0.39
	LPS5030	10 to 47	1.4 to 0.5

## 4.3 Output capacitor selection

### 4.3.1 Output voltage ripple

The triangular shape current ripple (with zero average value) flowing into the output capacitor gives the output voltage ripple, that depends on the capacitor value and the equivalent resistive component (ESR). As a consequence the output capacitor has to be selected in order to have a voltage ripple compliant with the application requirements.

The voltage ripple equation can be calculated as:

#### Equation 34

$$\Delta V_{\text{OUT}} = \text{ESR} \cdot \Delta I_{\text{MAX}} + \frac{\Delta I_{\text{MAX}}}{8 \cdot C_{\text{OUT}} \cdot f_{\text{SW}}}$$

Usually the resistive component of the ripple can be neglected if the selected output capacitor is a multilayer ceramic capacitor (MLCC).

For example with  $V_{\text{OUT}} = 3.3 \text{ V}$ ,  $V_{\text{IN}} = 12 \text{ V}$ ,  $\Delta I_{\text{L}} = 0.12 \text{ A}$ ,  $f_{\text{SW}} = 600 \text{ kHz}$  (resulting by the inductor value) and  $C_{\text{OUT}} = 4.7 \mu\text{F}$  MLCC:

#### Equation 35

$$\frac{\Delta V_{\text{OUT}}}{V_{\text{OUT}}} \cong \frac{1}{V_{\text{OUT}}} \cdot \frac{\Delta I_{\text{MAX}}}{8 \cdot C_{\text{OUT}} \cdot f_{\text{SW}}} = \left( \frac{1}{3.3} \cdot \frac{0.12}{8 \cdot 4.7 \mu\text{F} \cdot 600 \text{ kHz}} \right) = \frac{5 \text{ mV}}{3.3} = 0.15\%$$

The output capacitor value has a key role to sustain the output voltage during a steep load transient. When the load transient slew rate exceeds the system bandwidth, the output capacitor provides the current to the load. In case the final application specifies a high slew rate load transient, the system bandwidth must be maximized and the output capacitor has to sustain the output voltage for time response shorter than the loop response time.

In [Table 8](#) some capacitor series are listed.

**Table 8. Output capacitors**

Manufacturer	Series	Cap value (μF)	Rated voltage (V)	ESR (mΩ)
MURATA	GRM32	22 to 100	6.3 to 25	< 5
	GRM31	10 to 47	6.3 to 25	< 5
PANASONIC	ECJ	10 to 22	6.3	< 5
	EEFCD	10 to 68	6.3	15 to 55
SANYO	TPA/B/C	100 to 470	4 to 16	40 to 80
TDK	C3225	22 to 100	6.3	< 5

### 4.3.2 C<sub>OUT</sub> specification and loop stability

#### *Output capacitor value*

A minimum output capacitor value is required for the COT loop stability:

#### Equation 36

$$C_{OUT} \geq \frac{35}{V_{OUT} \cdot f_{SW}}$$

#### *Equivalent series resistor (ESR)*

The maximum ESR of the output capacitor is:

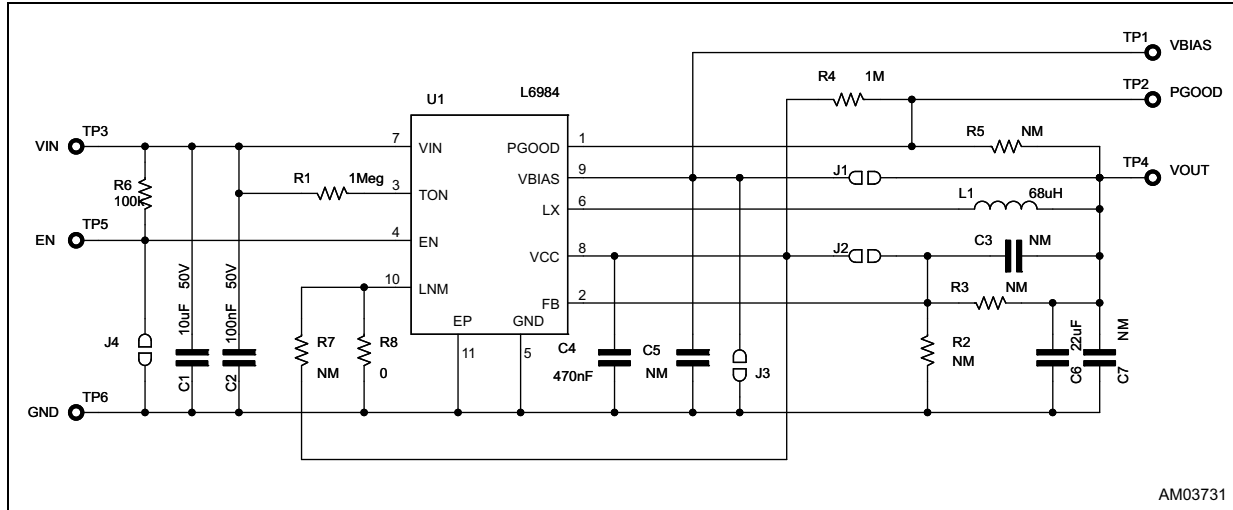
#### Equation 37

$$ESR_{MAX} \leq 2.8 \cdot 10^{-3} \cdot V_{OUT}$$

# 5 Application board

The reference evaluation board schematic is shown in [Figure 28](#).

**Figure 28. Evaluation board schematic**



**Table 9. Bill of material**

Reference	Part number	Description	Manufacturer
C1	C3216X5R1H106M	10 µF - 50 V - 1206	TDK
C2		100 nF - 50 V - 0805	
C4		470 nF - 10 V - 0603	
C6	C3216X5R1E226M	22 µF - 25 V - 1206	TDK
L1	LPS6225-683MLC	68 µH	Coilcraft
R1		1 MΩ - 1% - 0603	
R4		1 MΩ - 5% - 0603	
R6		100 kΩ - 5% - 0603 V	
R8		0 Ω - 0603	
U1	L6984		STM
J1		JUMPER - CLOSED	
J2		JUMPER - CLOSED	
J3		JUMPER - OPEN	
J4		JUMPER - OPEN	
R2, R3, C3, R5, C5, R7, C7		NOT MOUNTED	
TP1, TP2, TP3, TP4, TP5, TP6, TP7		VBIAS, PGOOD, VIN, VOUT, EN, GND, GND	

Figure 29. Top layer 3 x 3 DFN demonstration board

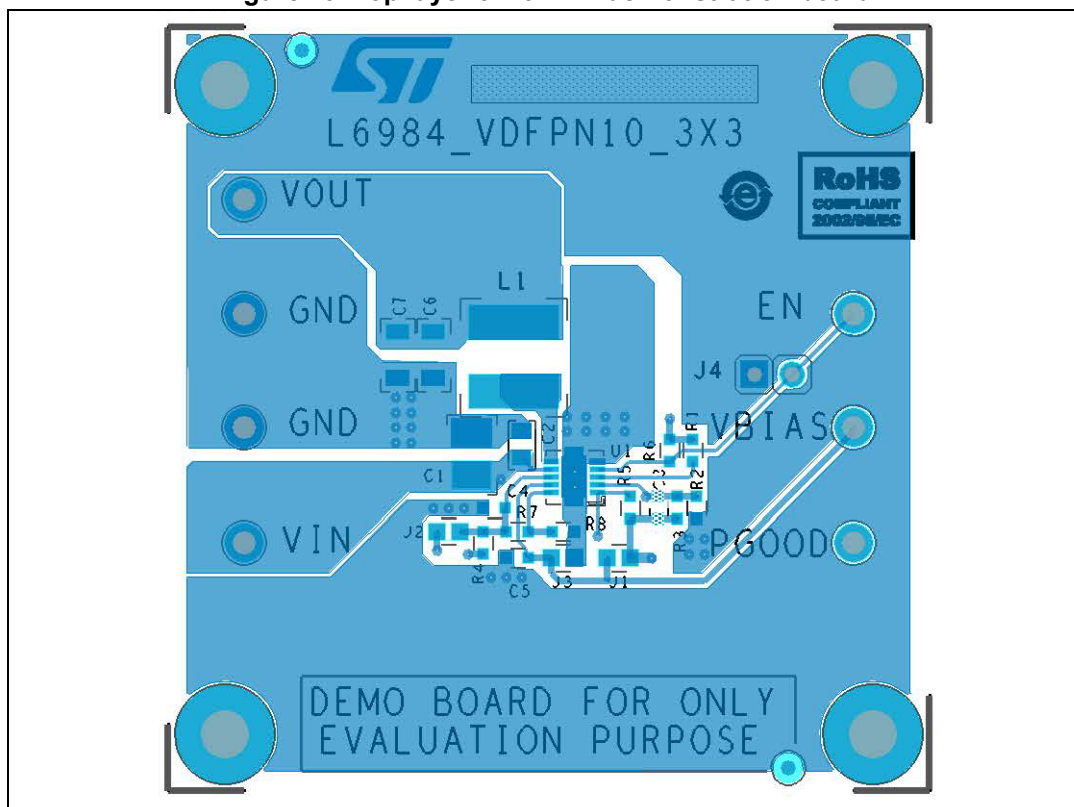


Figure 30. Bottom layer 3 x 3 DFN demonstration board

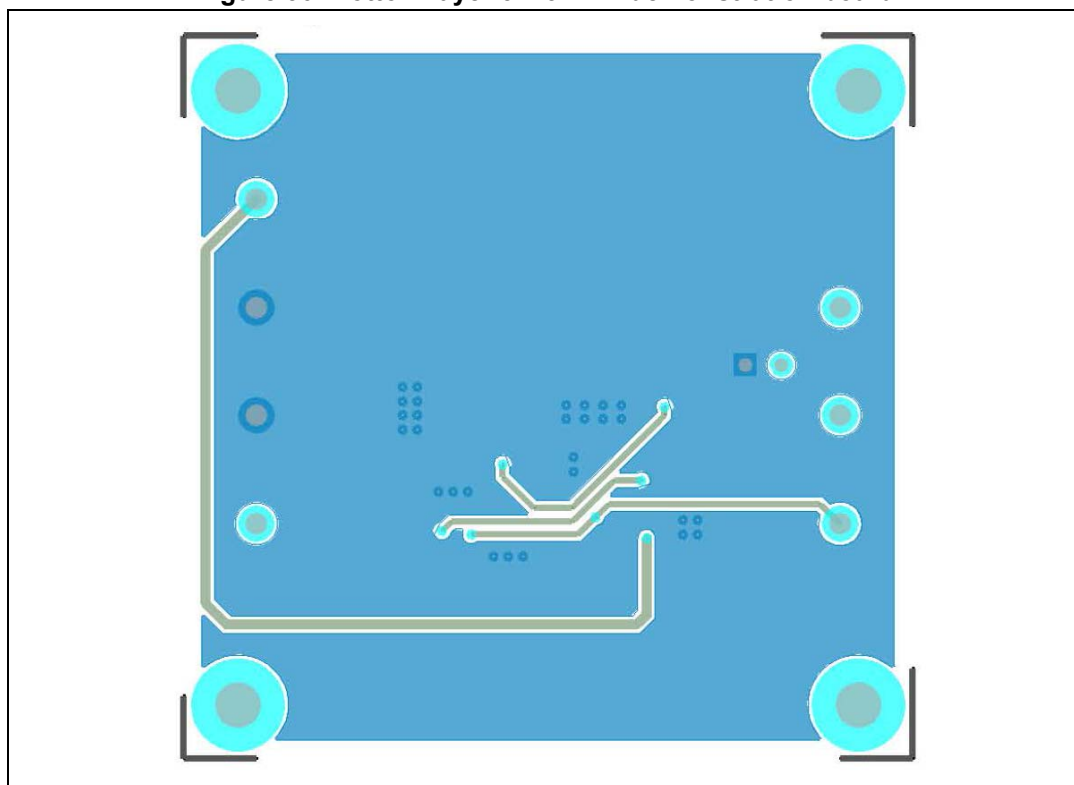


Figure 31. Top layer 4 x 4 DFN demonstration board

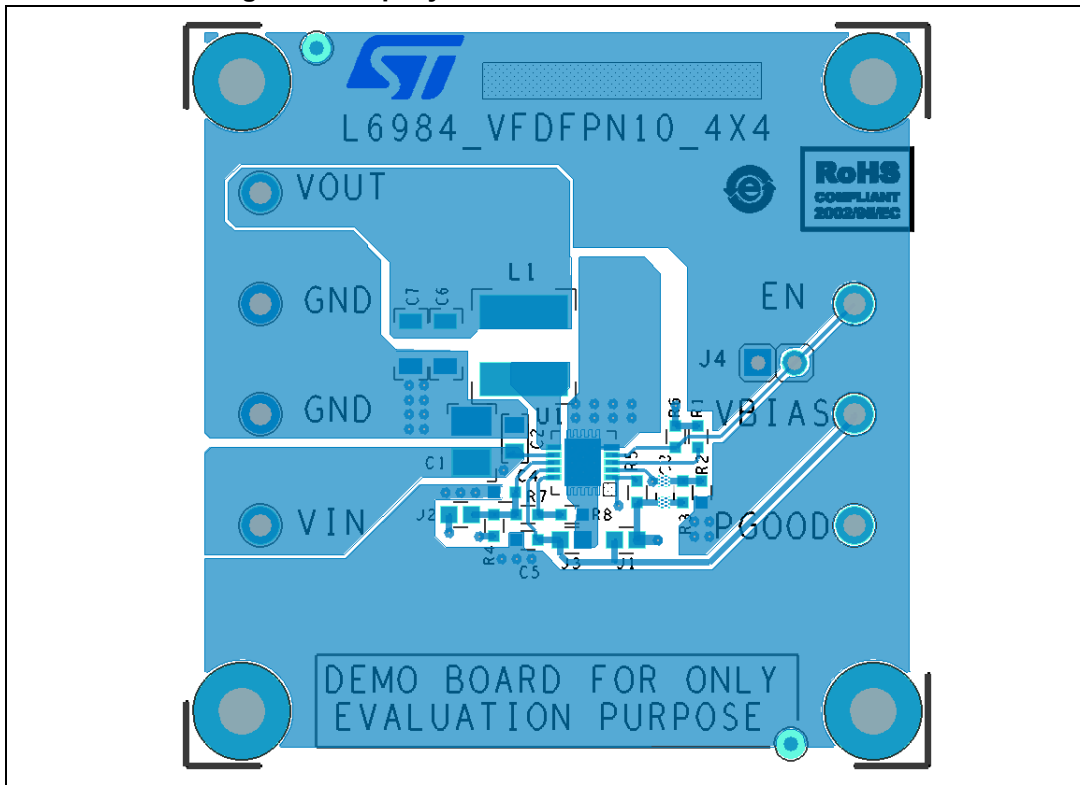
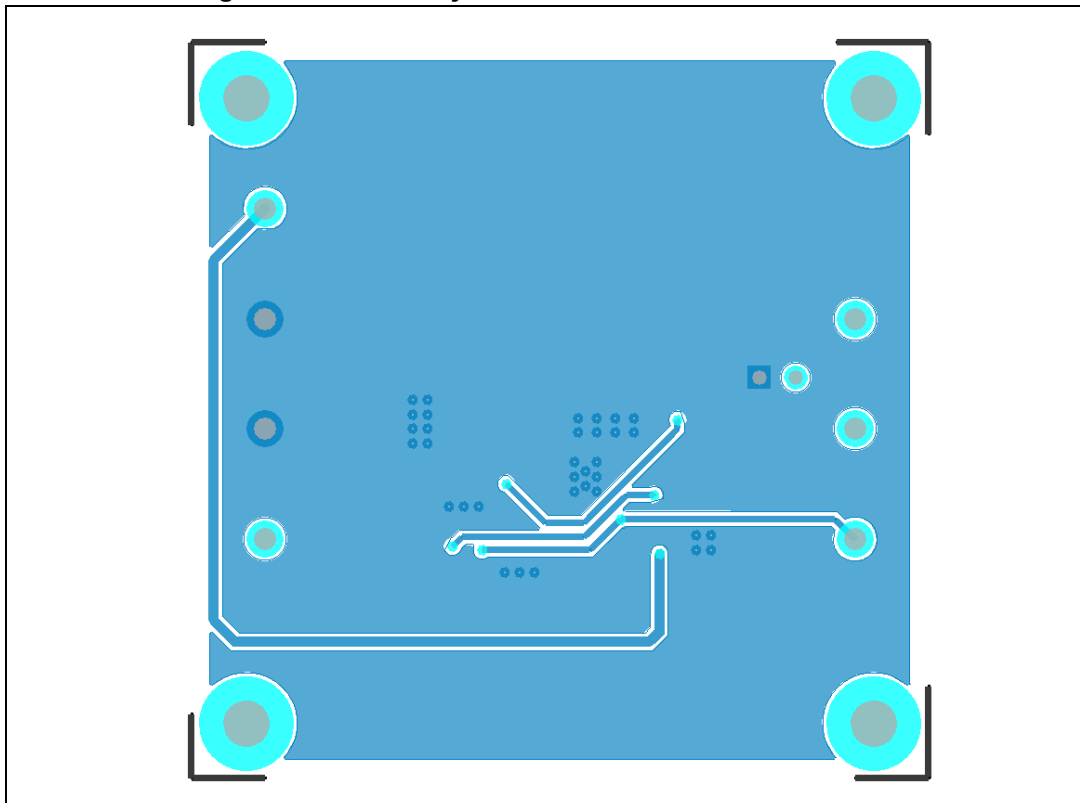


Figure 32. Bottom layer 4 x 4 DFN demonstration board



# 6 Efficiency curves

Figure 33. VIN 12 V - VOUT 5 V (linear scale)

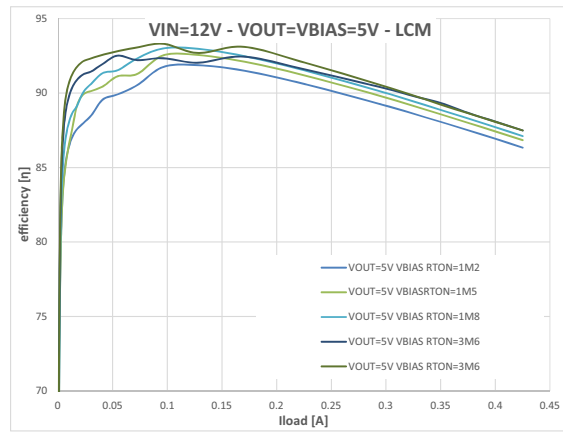


Figure 34. VIN 24 V - VOUT 5 V (linear scale)

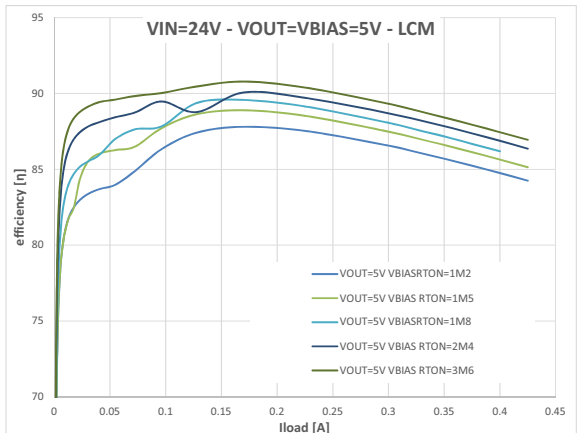


Figure 35. VIN 12 V - VOUT 3.3 V (linear scale)

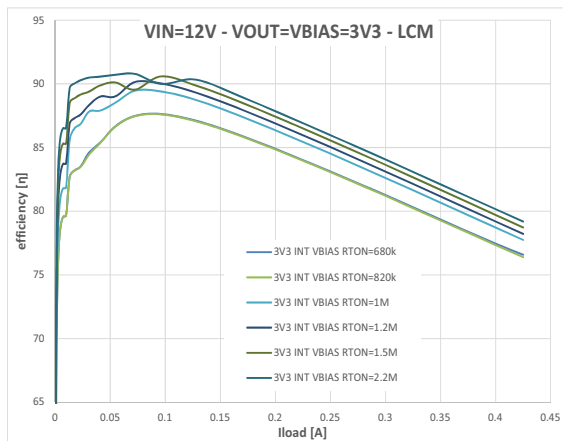


Figure 36. VIN 12 V - VOUT 5 V (log scale)

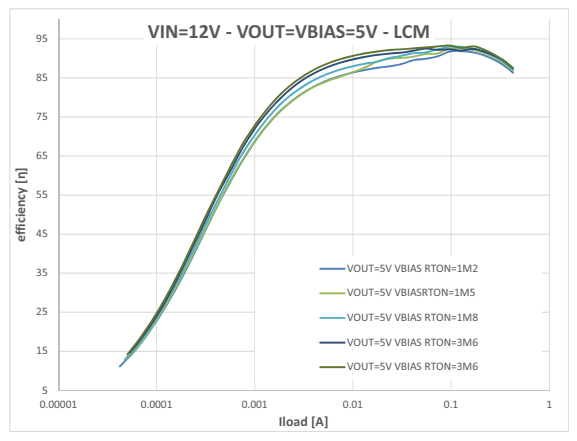


Figure 37. VIN 24V - VOUT 5 V (log scale)

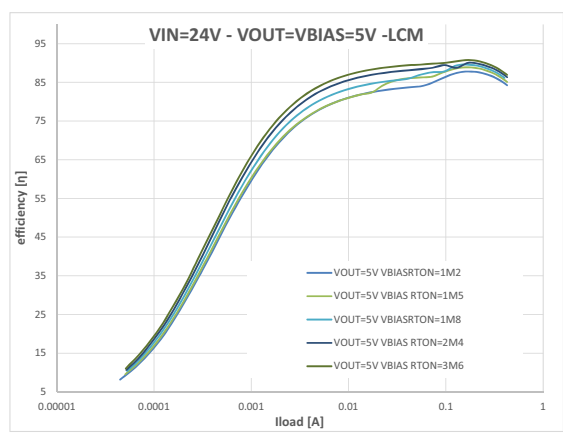


Figure 38. VIN 12 V - VOUT 3.3 V (log scale)

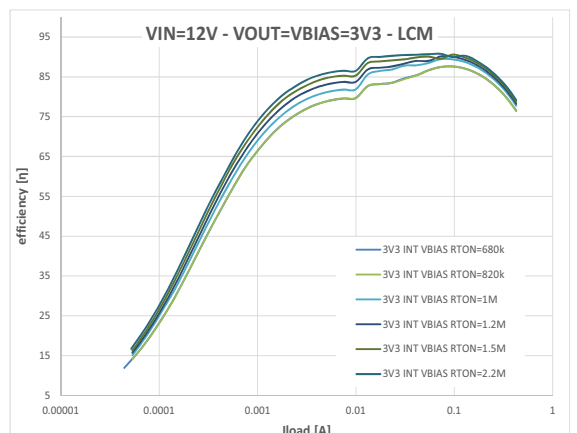




Figure 39. VIN 24 V - VOUT 3.3 V (linear scale)

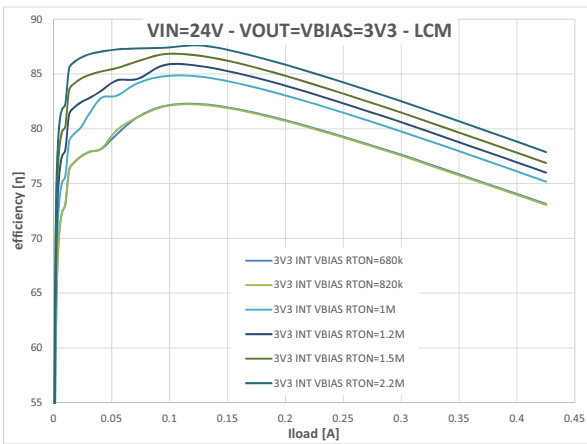


Figure 40. VIN 12 V - VOUT 2.5 V (linear scale)

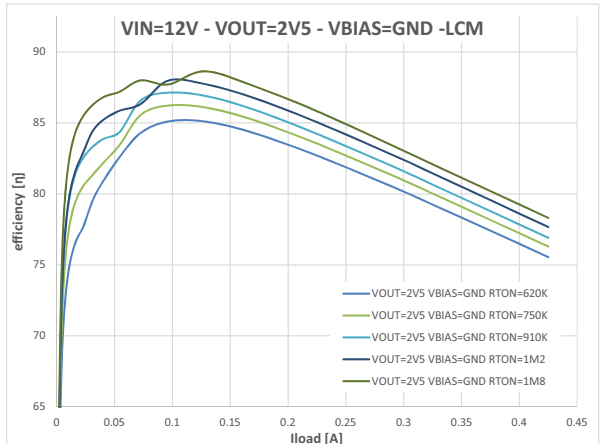


Figure 41. VIN 24V - VOUT 2.5 V (linear scale)

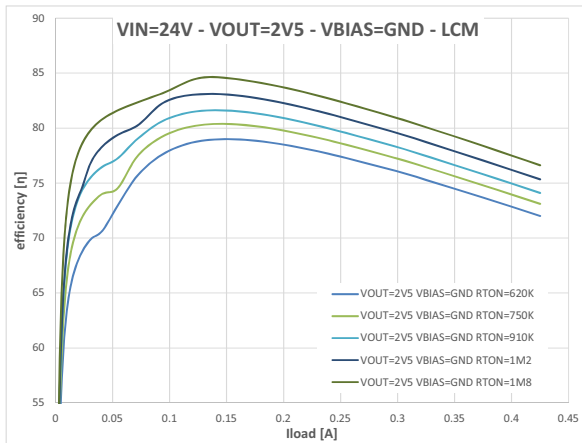


Figure 42. VIN 24V - VOUT 3.3 V (log scale)

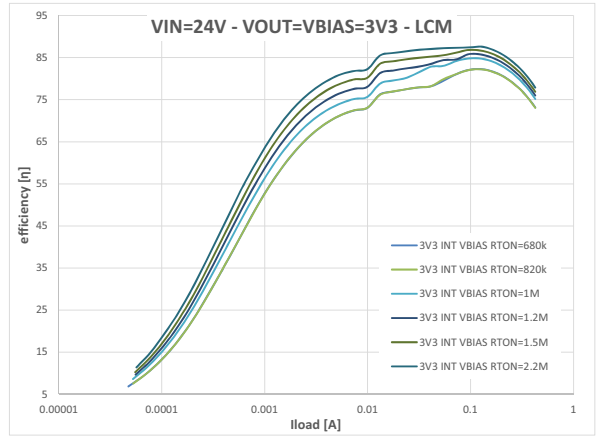


Figure 43. VIN 12 V - VOUT 2.5 V (log scale)

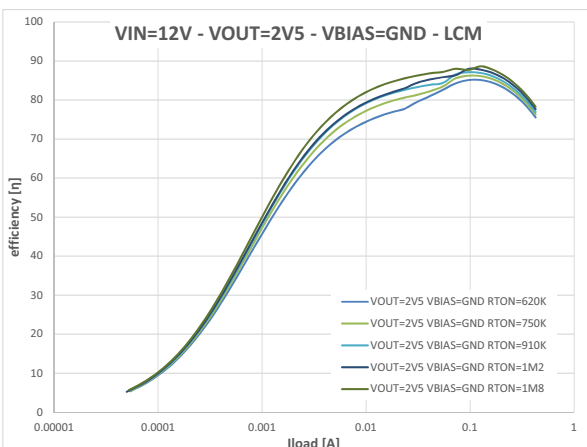
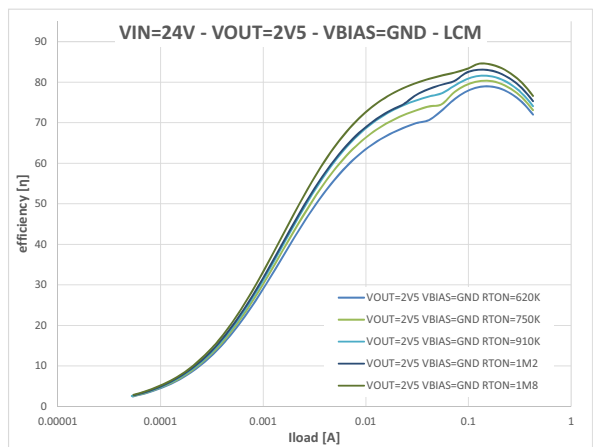


Figure 44. VIN 24 V - VOUT 2.5 V (log scale)



## 7 Package information

In order to meet environmental requirements, ST offers these devices in different grades of ECOPACK<sup>®</sup> packages, depending on their level of environmental compliance. ECOPACK specifications, grade definitions and product status are available at: [www.st.com](http://www.st.com). ECOPACK is an ST trademark.

## 7.1 VFDFPN10 4 x 4 x 1.0 mm package information

Figure 45. VFDFPN10 4 x 4 x 1.0 mm package outline

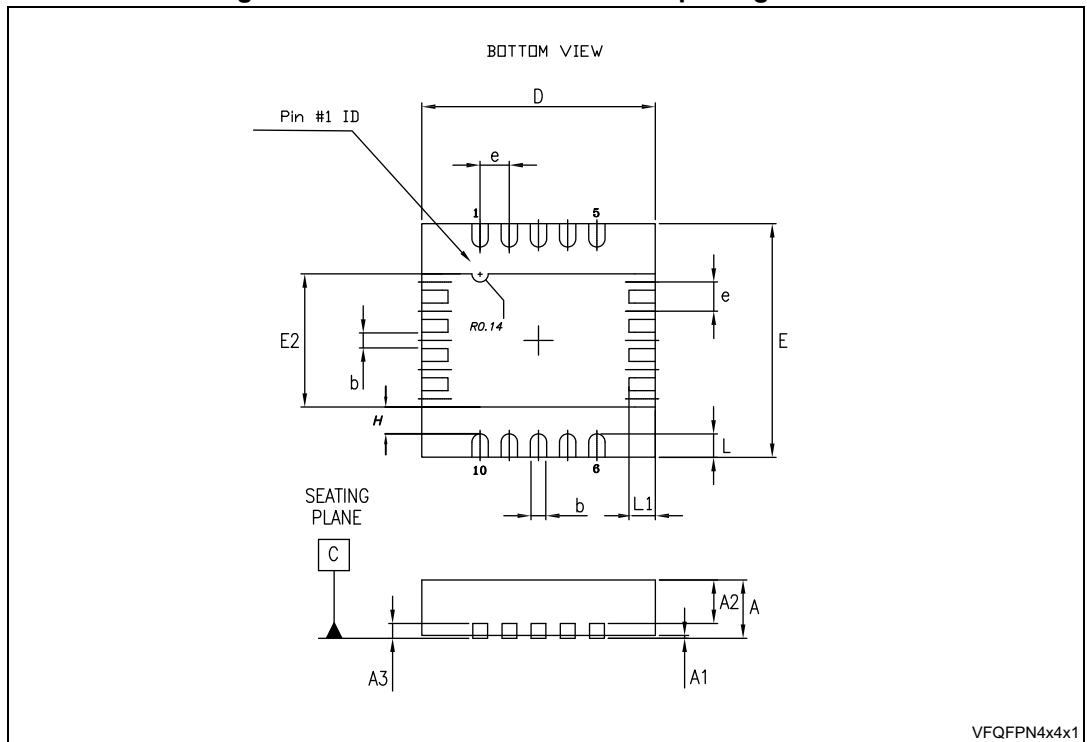
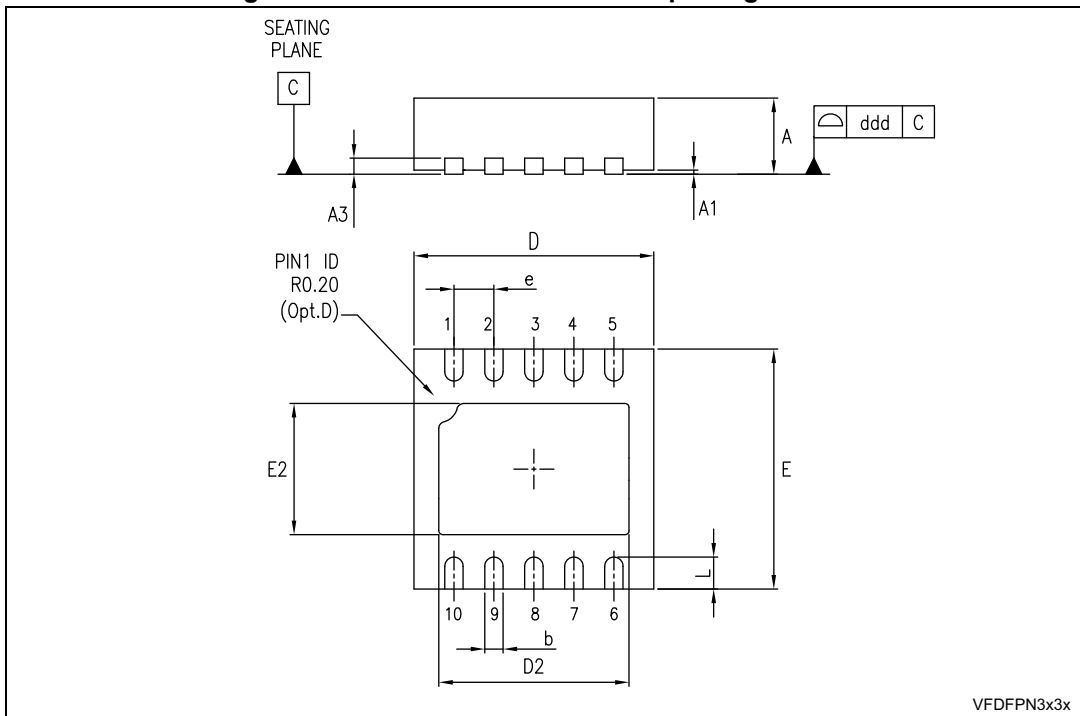


Table 10. VFDFPN10 4 x 4 x 1.0 mm package mechanical data

Symbol	Dimensions (mm)		
	Min.	Typ.	Max.
A	0.80	0.85	0.90
A1		0.02	
A2		0.65	
A3		0.20	
b	0.20	0.25	0.30
D	3.90	4.00	4.10
E	3.90	4.00	4.10
E2	2.15	2.25	2.35
e	0.45	0.50	0.55
H		0.46	
L	0.30	0.40	0.50
L1	0.35	0.45	0.55

## 7.2 VDFPN10 3 x 3 x 1.0 mm package information

Figure 46. VDFPN10 3 x 3 x 1.0 mm package outline



- The pin #1 identifier must be existed on the top surface of the package by using indentation mark or other feature of package body. Exact shape and size of this feature is optional.

Table 11. VDFPN10 3 x 3 x 1.0 mm package mechanical data

Symbol	Dimensions (mm)			Note
	Min.	Typ.	Max.	
A	0.80	0.90	1.00	(1)
A1		0.02	0.05	
A2	0.55	0.65	0.80	
A3		0.20		
b	0.18	0.25	0.30	
D	2.85	3.00	3.15	
D2	2.20		2.70	
E	2.85	3.00	3.15	
E2	1.40		1.75	
e		0.50		
L	0.30	0.40	0.50	
ddd			0.08	

- VDFPN stands for "Thermally Enhanced Very thin Fine pitch Dual Flat Packages No lead".  
Very thin: 0.80 mm < A . 1.00 mm / fine pitch: e < 1.00 mm.

## 8 Order codes

**Table 12. Order codes**

Part number	Package	Packaging
L6984	VDFPN10 4 x 4	Tube
L6984TR	VDFPN10 4 x 4	Tape and reel
L6984A	VDFPN10 3 x 3	Tube
L6984ATR	VDFPN10 3 x 3	Tape and reel

## 9 Revision history

**Table 13. Document revision history**

Date	Revision	Changes
04-Jul-2014	3	Updated <a href="#">Table 1.: Pin description on page 4</a> (updated Description of VCC pin). Updated <a href="#">Section 3.6: Switchover feature on page 27</a> (added text).
08-Aug-2016	4	Updated <a href="#">Table 5: Electrical characteristics on page 7</a> (added T <sub>OFF</sub> parameter). Added <a href="#">Section 3.1.1: Maximum output voltage on page 12</a> . Updated <a href="#">Section 3.2: Control loop on page 15</a> (minor modifications throughout section, added <a href="#">Figure 7</a> , <a href="#">Figure 9</a> , <a href="#">Figure 10</a> , <a href="#">Figure 11</a> , <a href="#">Figure 12</a> , and <a href="#">Figure 13</a> ). Added <a href="#">Section 3.3: Optional virtual ESR network on page 19</a> . Added <a href="#">Section : Output voltage accuracy and optimized resistor divider on page 22</a> . Updated <a href="#">Figure 18: Soft-start feature with resistive load on page 25</a> (replaced by new figure). Updated <a href="#">Figure 19: Low noise mode operation</a> and <a href="#">Figure 20: LCM operation at zero load on page 26</a> , <a href="#">Figure 21: LCM operation over loading condition (1)</a> and <a href="#">Figure 22: LCM operation over loading condition (2)</a> on page 27, <a href="#">Figure 23: The regulator works in CCM on page 28</a> , <a href="#">Figure 24: Constant current operation in dynamic short-circuit on page 29</a> , <a href="#">Figure 25: Valley current sense implements constant current protection on page 30</a> , <a href="#">Figure 26: PGOOD behavior during soft-start time with electronic load on page 31</a> and <a href="#">Figure 27: Overvoltage operation on page 32</a> (replaced by figures in white background color). Added <a href="#">Section 6: Efficiency curves on page 40</a> . Minor modifications throughout document.

**IMPORTANT NOTICE – PLEASE READ CAREFULLY**

STMicroelectronics NV and its subsidiaries ("ST") reserve the right to make changes, corrections, enhancements, modifications, and improvements to ST products and/or to this document at any time without notice. Purchasers should obtain the latest relevant information on ST products before placing orders. ST products are sold pursuant to ST's terms and conditions of sale in place at the time of order acknowledgement.

Purchasers are solely responsible for the choice, selection, and use of ST products and ST assumes no liability for application assistance or the design of Purchasers' products.

No license, express or implied, to any intellectual property right is granted by ST herein.

Resale of ST products with provisions different from the information set forth herein shall void any warranty granted by ST for such product.

ST and the ST logo are trademarks of ST. All other product or service names are the property of their respective owners.

Information in this document supersedes and replaces information previously supplied in any prior versions of this document.

© 2016 STMicroelectronics – All rights reserved

# Mouser Electronics

Authorized Distributor

Click to View Pricing, Inventory, Delivery & Lifecycle Information:

[STMicroelectronics:](#)

[L6984TR](#) [L6984ATR](#)