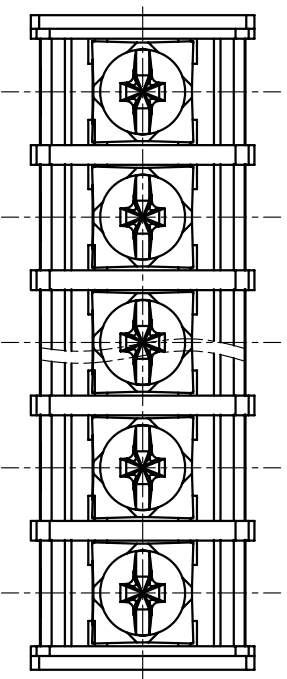
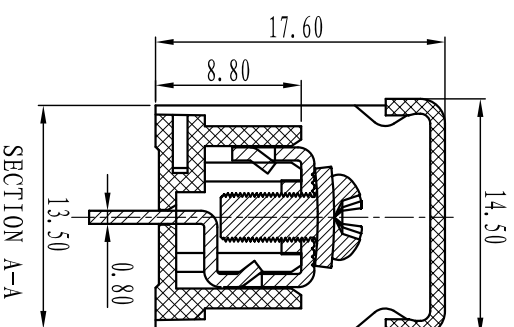
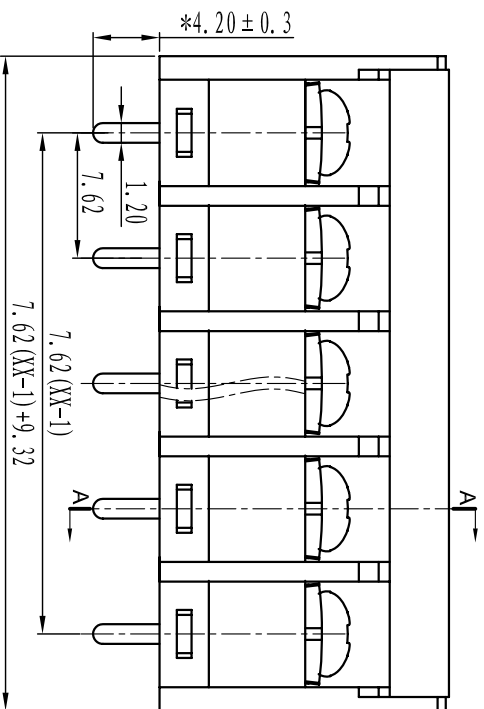




# 慈溪市万捷电子有限公司

## CIXI WANJIE ELECTRONIC CO., LTD

产品规格书  
product specification



**电气性能/Electrical**  
 参考标准/Standard: UL IEC  
 额定电压/Rated voltage: 300V 250V  
 额定电流/Rated current: 15A 24A  
 使用线径/Wire range: 22-14AWG 2.5mm<sup>2</sup>  
 耐电压/Withstanding voltage: AC2000V/1Min  
 绝缘电阻/Insulation resistance: 500M $\Omega$ /DC500V

**机械性能/Mechanical**  
 温度范围/Temp.Range: -40<sup>°</sup>C+105<sup>°</sup>C  
 最大锁紧力矩/Max.Torque: 0.5Nm (4.5lb. in)

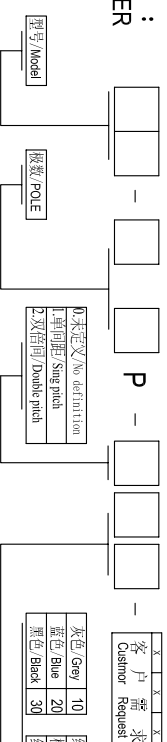
**尺寸/Dimensions**

间距/Pitch: 7.62mm  
 极数/Poles: 2P-24P  
**材质及电镀/Material**  
 塑件/Housing: PA66, UL94V-0  
 螺丝/Screws: M3.0, steel, Ni plated  
 焊脚/Pin header: Brass, 0.8t, Tin plated

TOLERANCES EXCEPT AS NOTED

|                |                  |                |                 |                 |              |                                   |                                    |              |
|----------------|------------------|----------------|-----------------|-----------------|--------------|-----------------------------------|------------------------------------|--------------|
|                | linear dimension | fillet         | chamfer         | short angle sid | ≡            | □                                 | //                                 | ⊥            |
| variable range | over 6 to 30     | over 30 to 120 | over 120 to 480 | all to 6        | over 6 to 10 | over 10 to 50                     | over 50 to 120                     | all to 5     |
| tolerance      | ±0.1 to 0.2      | ±0.3 to 0.5    | ±0.5 to 0.9     | ±0.2 to 0.5     | ±1           | 1 <sup>°</sup> to 30 <sup>°</sup> | 20 <sup>°</sup> to 10 <sup>°</sup> | 0.5 to 0.025 |
|                | 0.06 to 0.12     | 0.06 to 0.12   | 0.06 to 0.12    | 0.06 to 0.12    | 0.4          | 0.4                               | 0.4                                | 0.4          |

订购方式：  
HOW TO ORDER



单位/UNITS mm 尺寸/SIZE A4 比例/SCALE 1:4

第一视角/FIRST ANGLE PROJECTION



名称/NAME WJ28C-XP-1Y-00A

|          |    |           |    |                |    |
|----------|----|-----------|----|----------------|----|
| 灰色/Gray  | 10 | 绿色/Green  | 40 | 透明/Transparent | 70 |
| 蓝色/Blue  | 20 | 棕色/Orange | 50 | 黄色/Yellow      | 80 |
| 黑色/Black | 30 | 红色/Red    | 60 | 白色/White       | 90 |